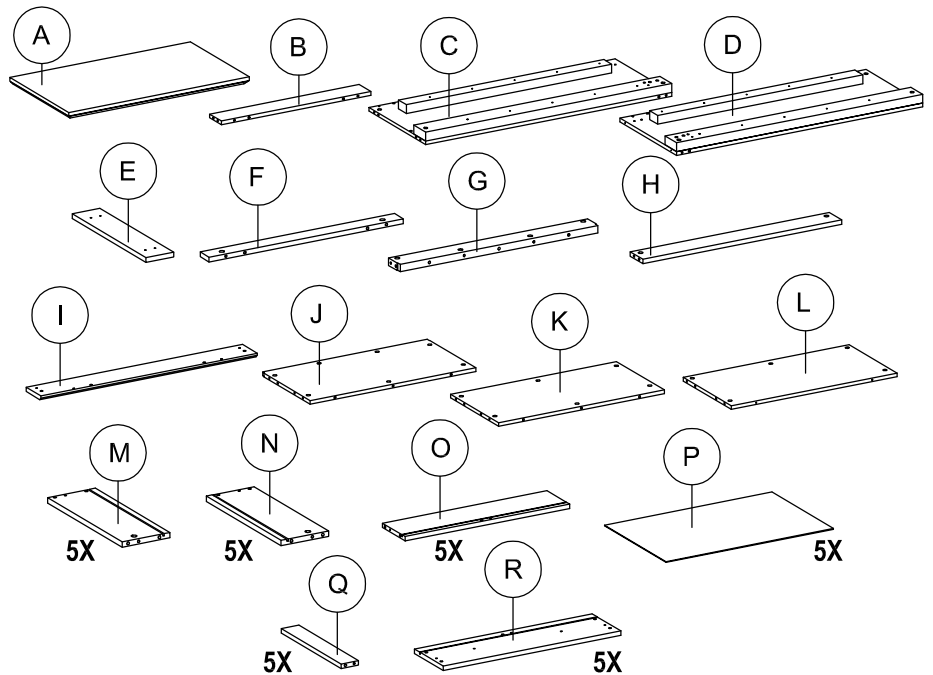


# CHEST


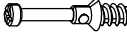








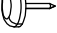

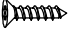



## ASSEMBLY INSTRUCTIONS

### PARTS PACKING CONFIGURATIONS

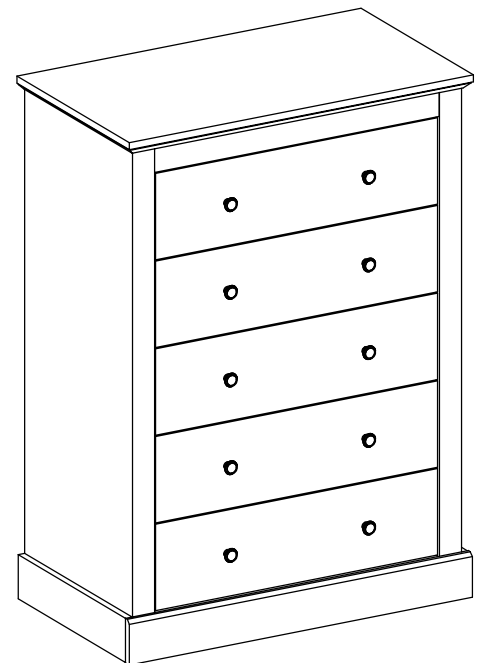
- A TOP
- B BOTTOM PANEL
- C SIDE PANEL - L
- D SIDE PANEL - R
- E SIDE PANEL SUPPORT
- F TOP PANEL SUPPORT
- G APRON
- H DRAWER SUPPORT PANEL
- I FRONT PANEL SUPPORT
- J TOP BACK PANEL
- K MIDDLE BACK PANEL
- L BOTTOM BACK PANEL
- M DRAWER SIDE PANEL - L
- N DRAWER SIDE PANEL - R
- O DRAWER REAR PANEL
- P DRAWER BASE
- Q DRAWER BOTTOM SUPPORT
- R DRAWER FACE



#### HARDWARE PACKED IN BOX

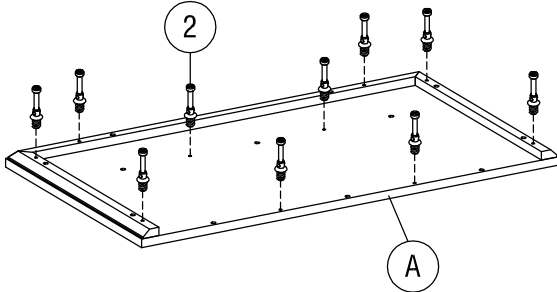
No	Description	Photo	Quantity
1	CAM LOCK		51
2	CAM BOLT		47
3	CAM COVER STICKER		51
4	DOWEL (8 X 32mm)		88
5	CAM BOLT-DOUBLE SIDED		2
6	DRAWER GLIDE		5
7	FLAT HEAD SCREW (6 X 8mm)		20
8	FLAT HEAD SCREW (10 X 25mm)		8
9	PAN HEAD SCREW (4 X 20mm)		10
10	KNOB		10
11	FOOT CAP		6
12	ANTI TIPPING RESTRAINT		1
13	FLAT HEAD SCREW (6 X 13mm)		30
14	PAN HEAD SCREW (3 X 12mm)		2
15	FLAT HEAD SCREW (10 X 33.5mm)		15
16	ALLEN KEY		1

#### CHEST ASSEMBLED

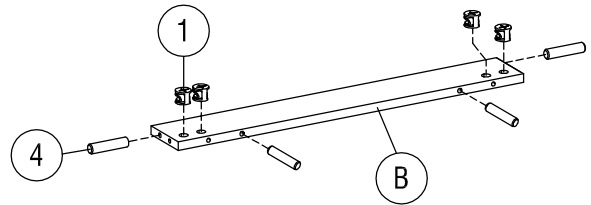
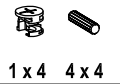


# ASSEMBLY INSTRUCTIONS

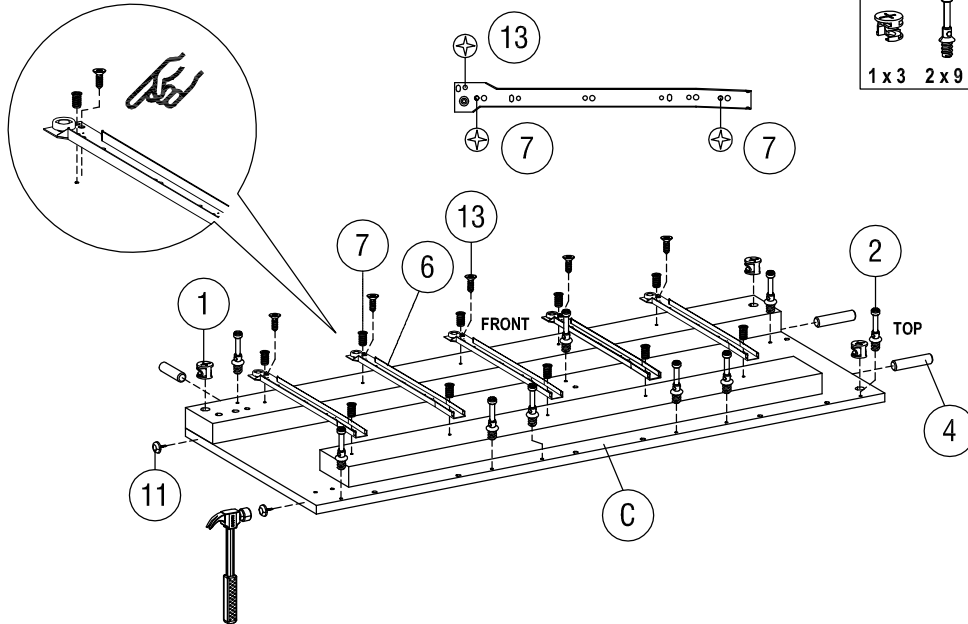
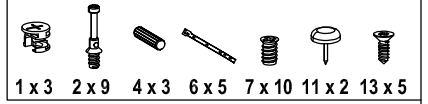
STEP 1:



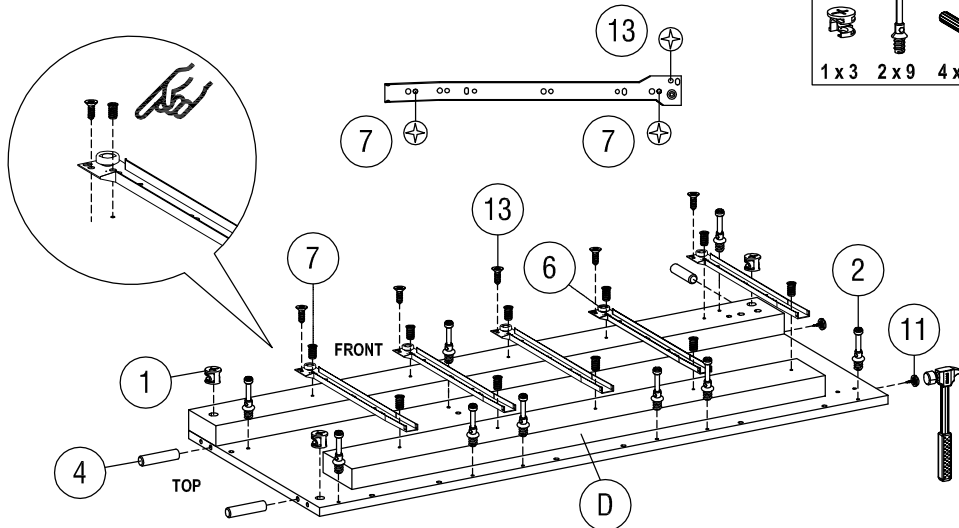
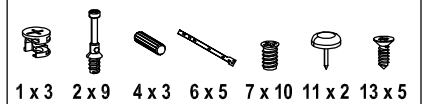
STEP 2:



STEP 3:



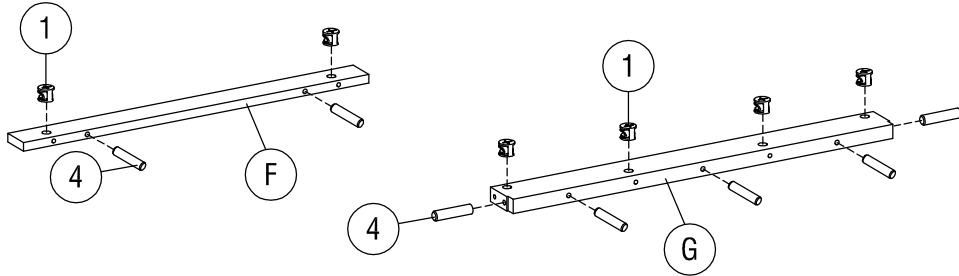
STEP 4:



# ASSEMBLY INSTRUCTIONS

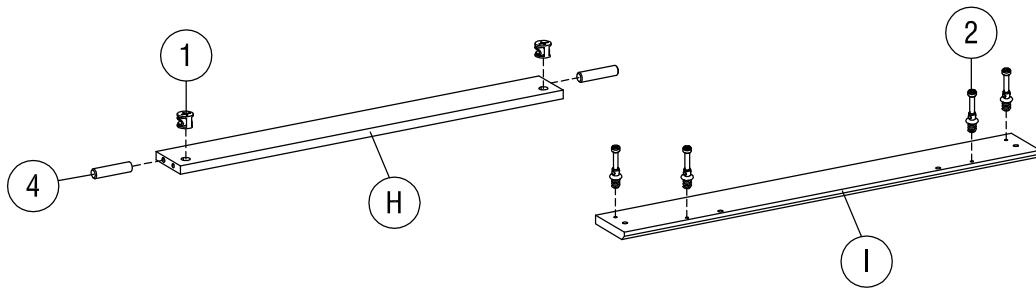
## STEP 5:

1 x 6 4 x 7



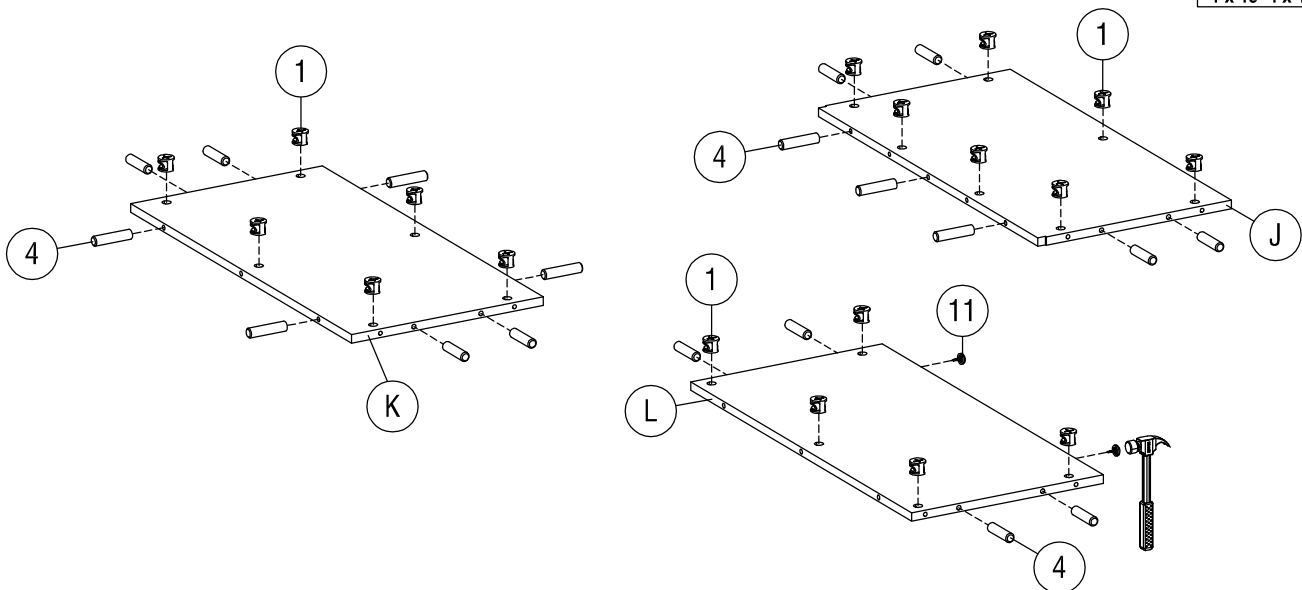
## STEP 6:

1 x 2 2 x 4 4 x 2



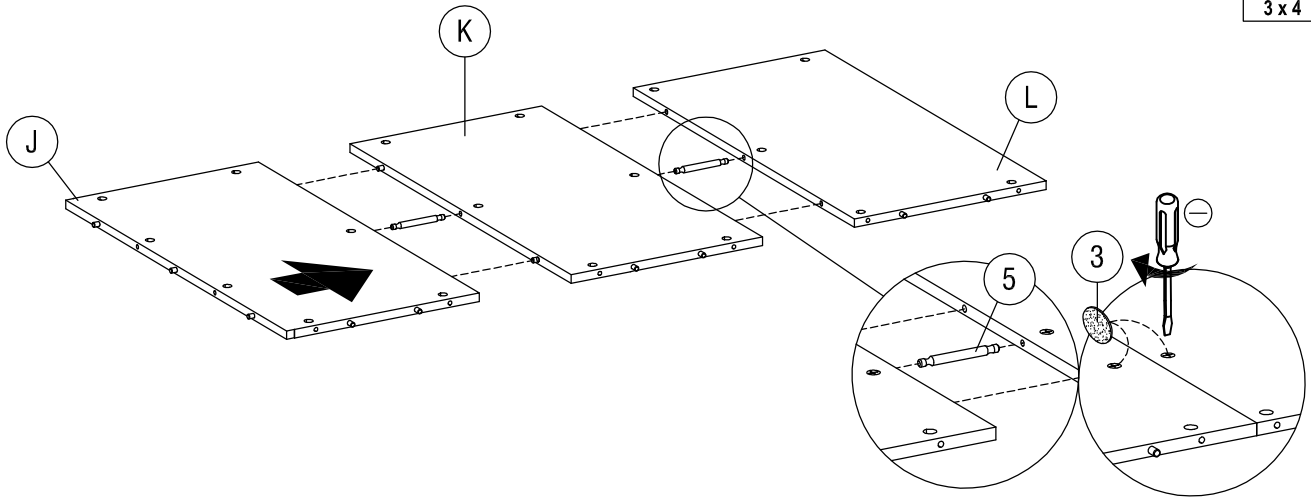
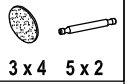
## STEP 7:

1 x 18 4 x 19 11 x 2

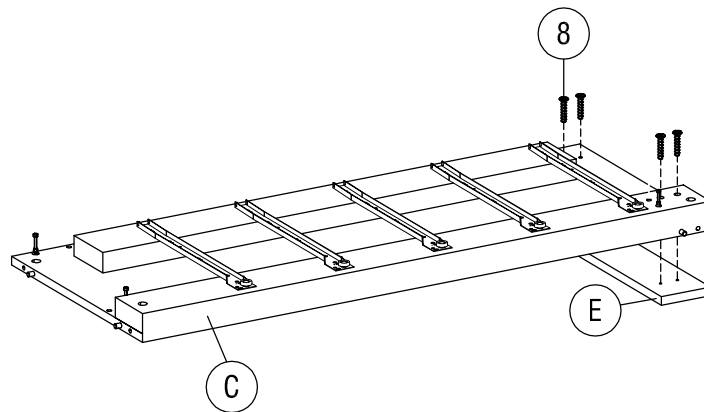


# ASSEMBLY INSTRUCTIONS

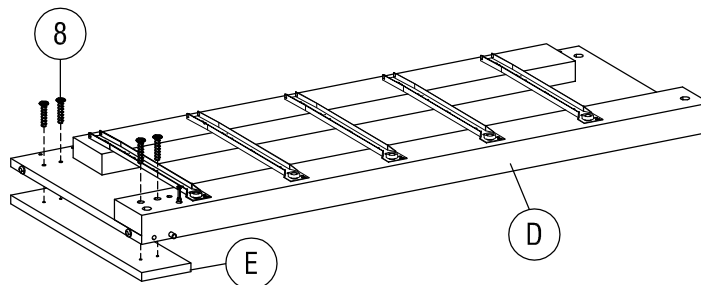
## STEP 8 :



## STEP 9 :





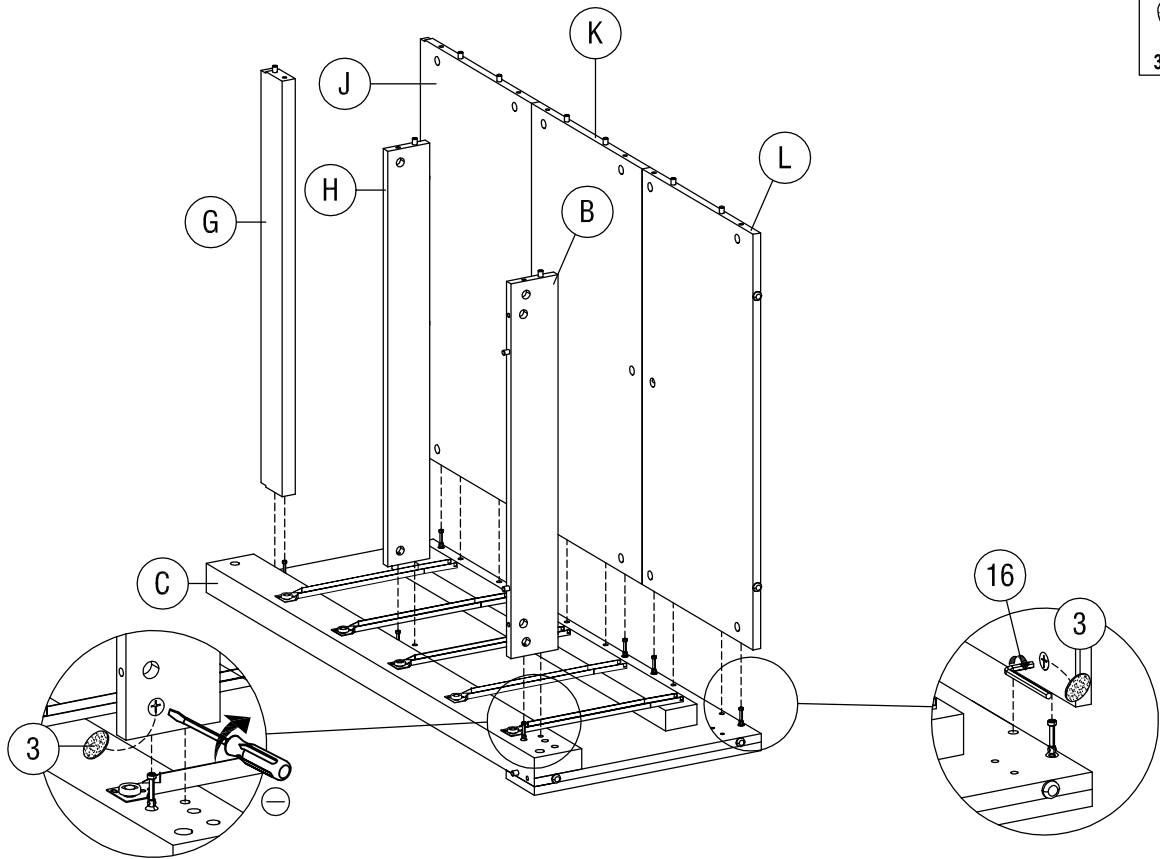
## STEP 10 :



# ASSEMBLY INSTRUCTIONS

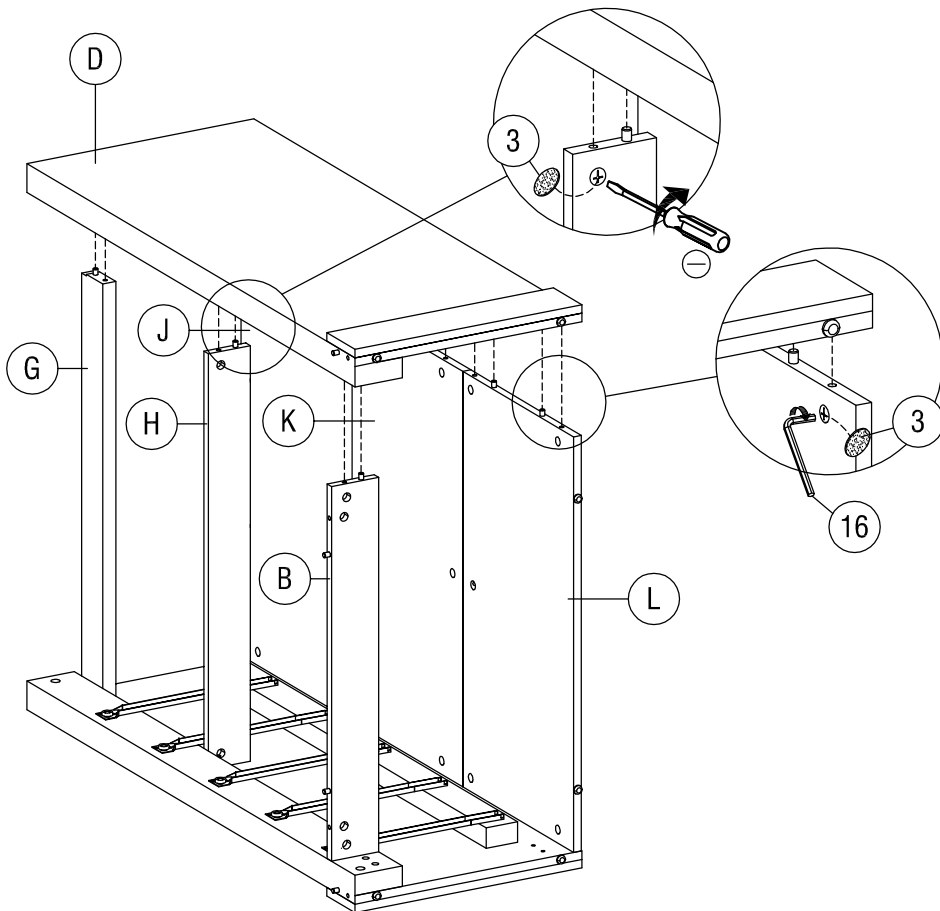
STEP 11:

   
3 x 9 16 x 1



STEP 12:

  
3 x 9

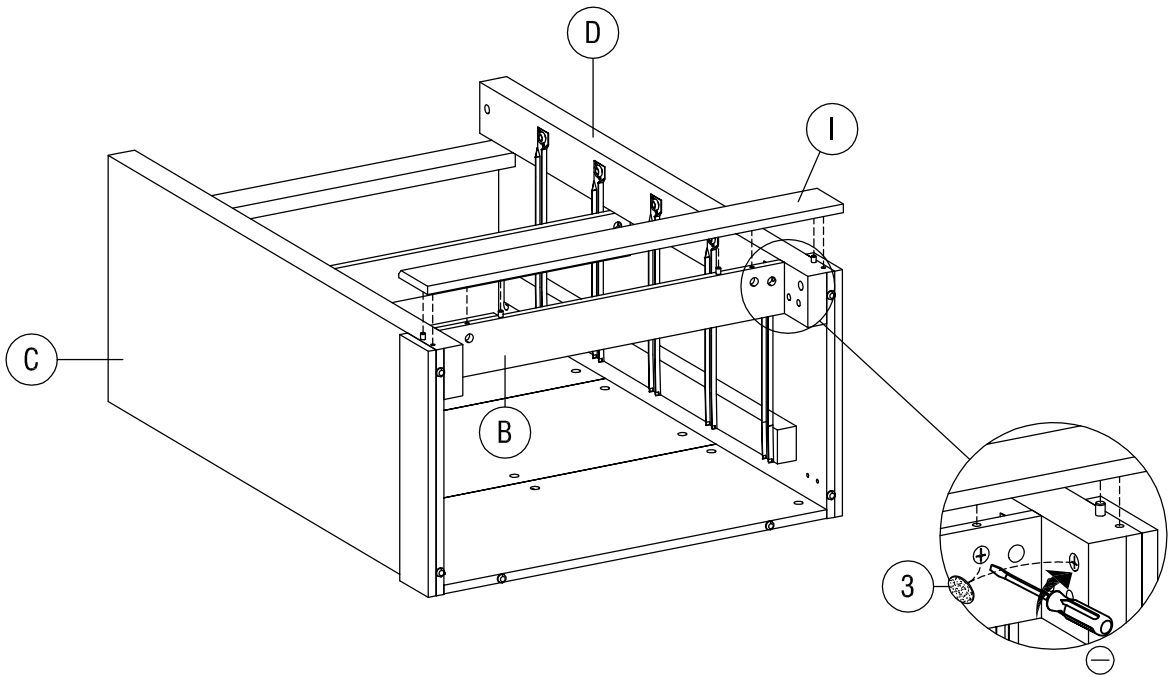


# ASSEMBLY INSTRUCTIONS

STEP 13:



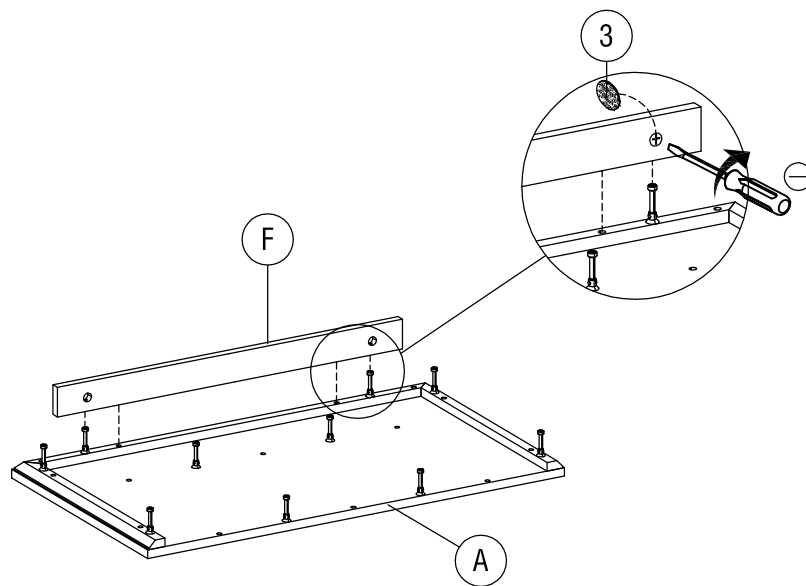
3 x 4



STEP 14:

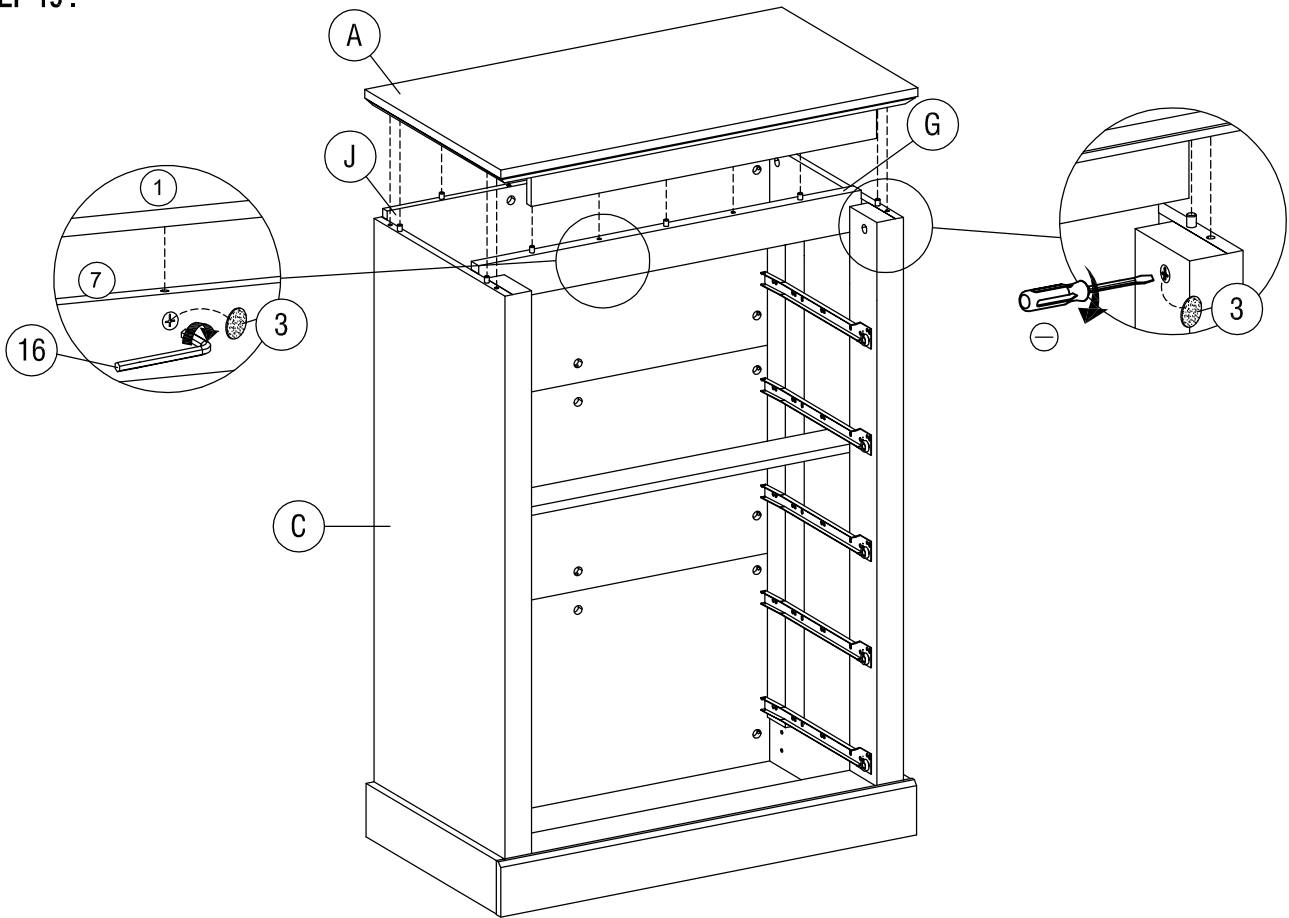


3 x 2

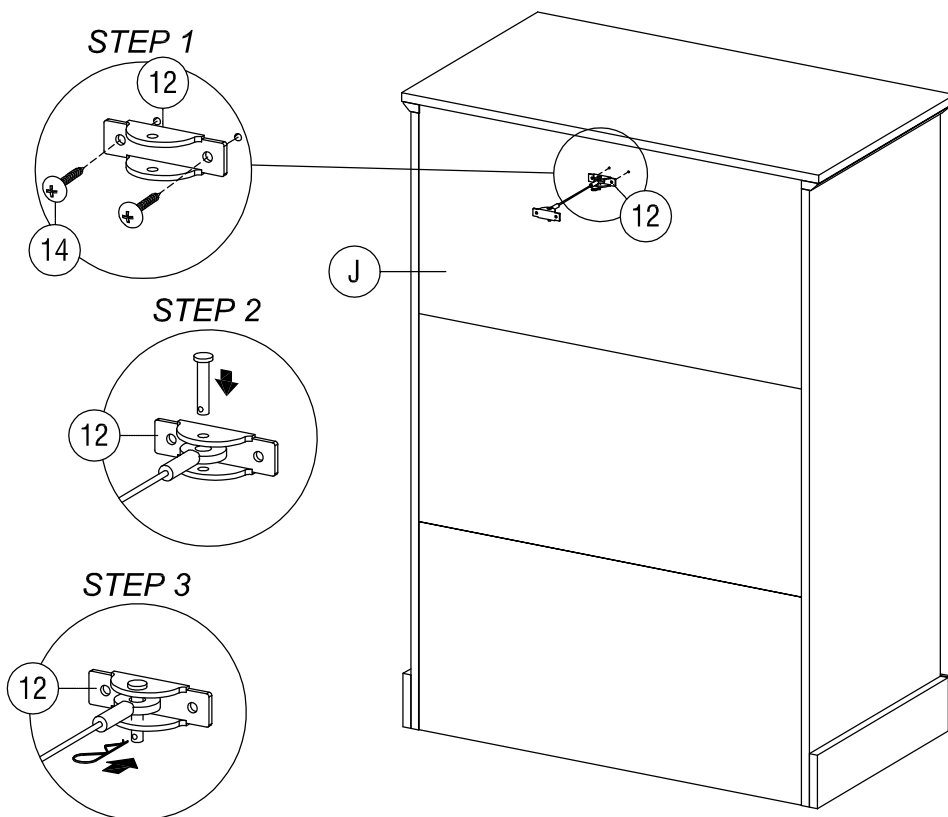


# ASSEMBLY INSTRUCTIONS

STEP 15:

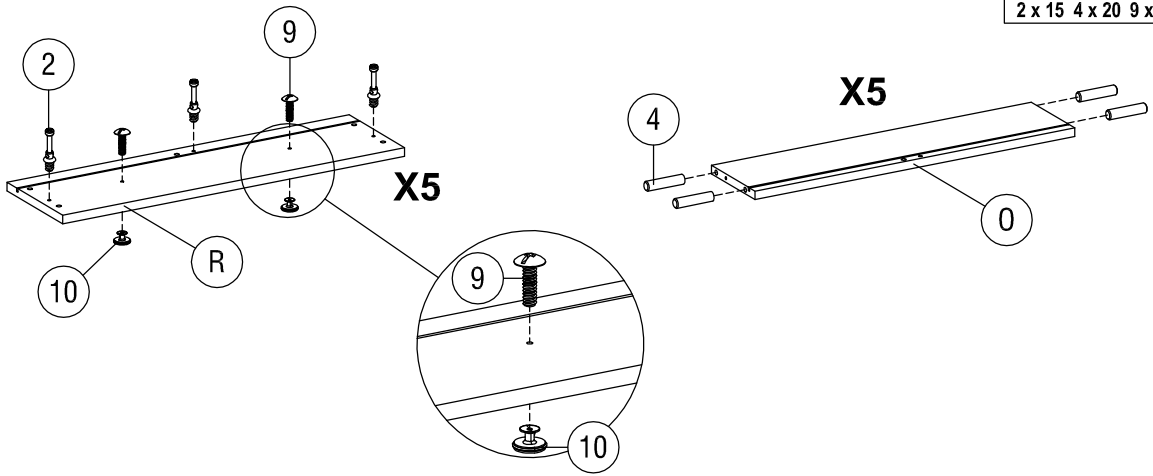
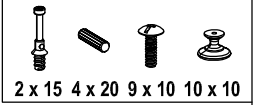


STEP 16:

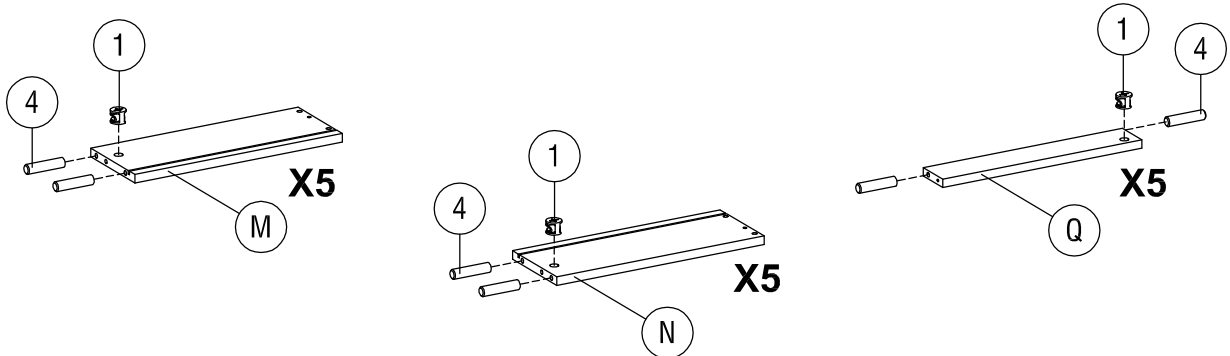
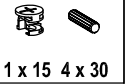


# ASSEMBLY INSTRUCTIONS

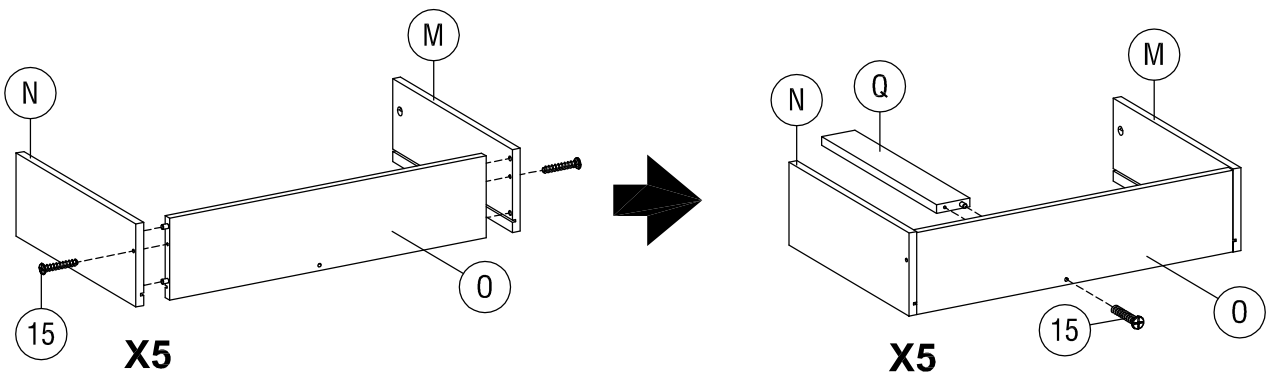
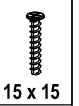
STEP 17 :



STEP 18 :



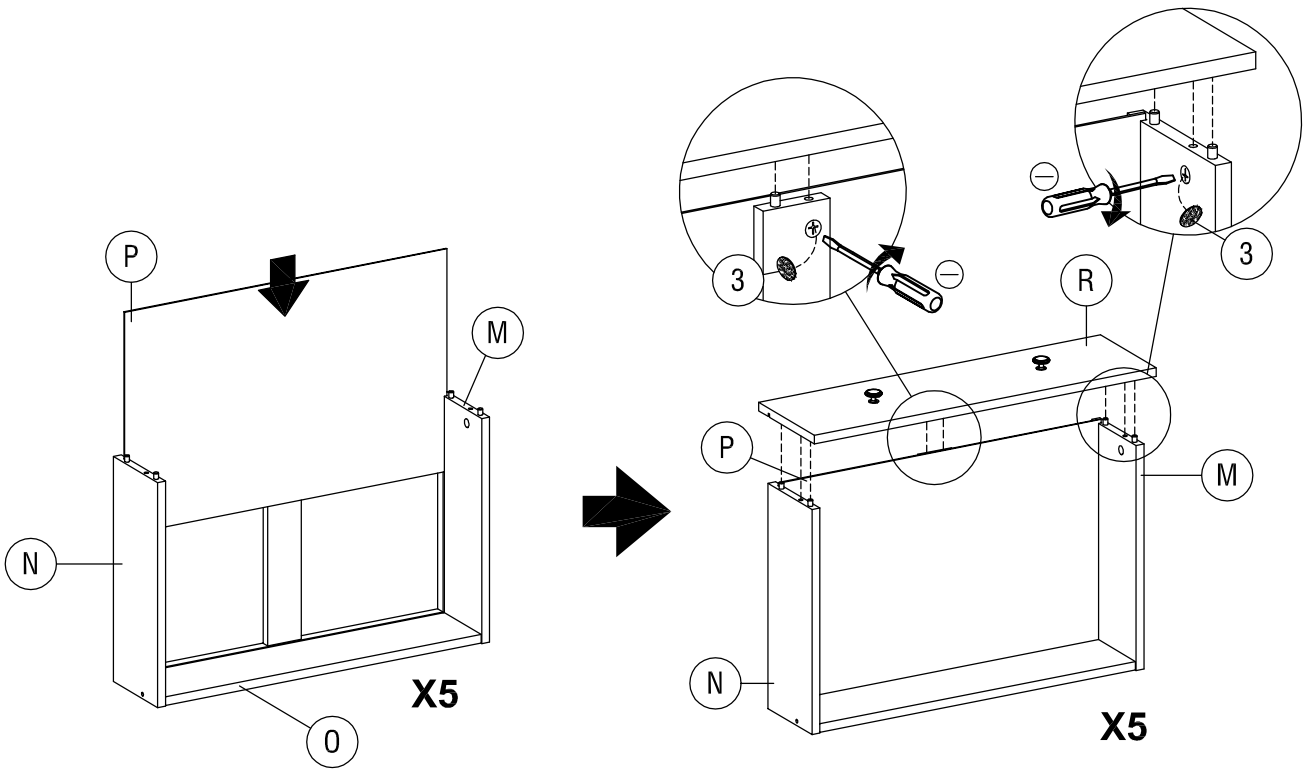
STEP 19 :



# ASSEMBLY INSTRUCTIONS

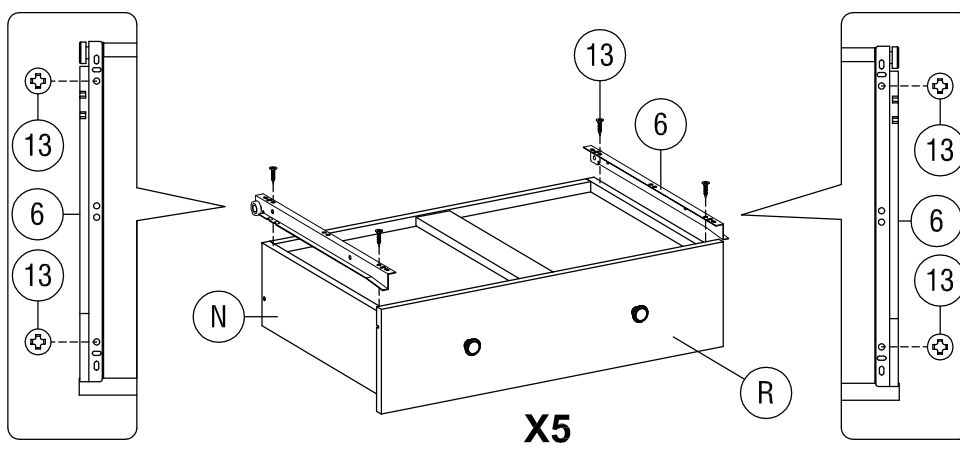
STEP 20 :

3 x 15



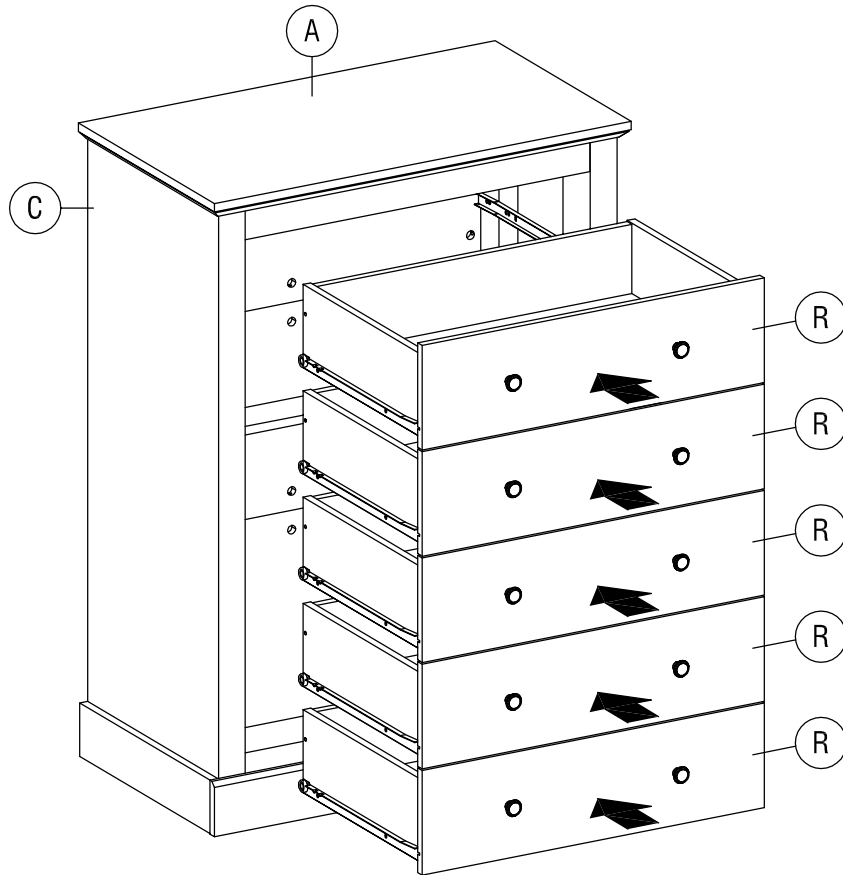
STEP 21 :

6 x 5 13 x 20

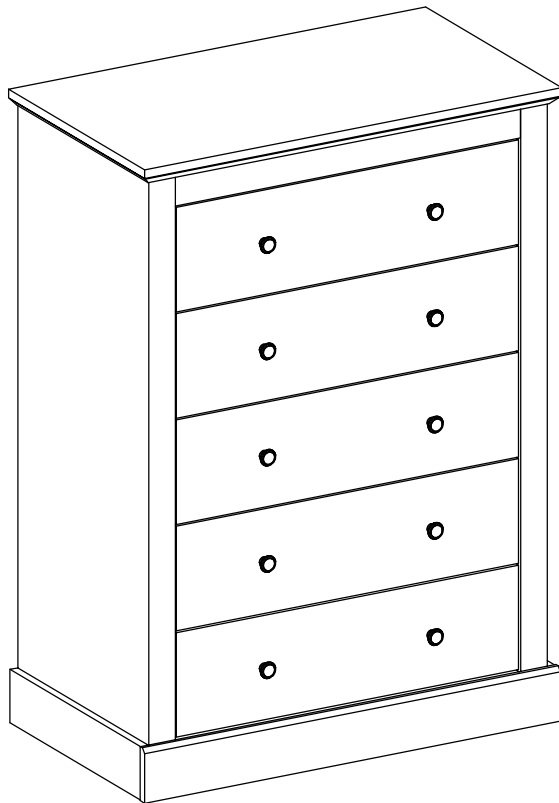


# ASSEMBLY INSTRUCTIONS






STEP 22 :














STEP 23 :



# FURNITURE TIP OVER RESTRAINT INSTALLATION MANUAL

ID	Photo	Description	Size (mm)	Quantity
12		Bracket	51x16x18	1
		Clovis Pin	6x32	1
		R Clip	1.5x28	1
		Cable	2x175	1
14		Short Screw	3x12	2

Wall Type	Drill Bit	Fastener
Drywall/Plaster, With Wood Studs		3 mm Long Screw (F) Screwed Directly Into Stud
Drywall/Plaster, Without Wood Studs		9 mm Toggle Bolt (Not Included)
Solid Stone, Brick/Masonry		7 mm Wall Anchor (Not Included)
Hollow Stone, Brick/Masonry		9 mm Toggle Bolt (Not Included)

Philips Screwdriver		Tape Measure	
Drill		Painter's Tape	
Hammer		Pencil	
Stud Finder			

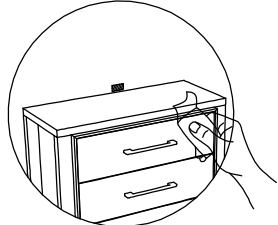
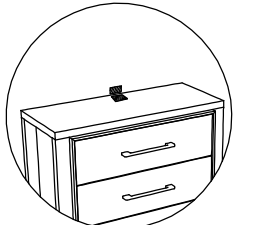
**WARNING**

- MANUFACTURER RECOMMENDS FASTENING BRACKET DIRECTLY TO WALL STUDS WITH LONG SCREW. USE OTHER FASTENERS ONLY IF REQUIRED BY WALL TYPE
- USE PAINTER'S TAPE OR OTHER REMOVABLE MATERIAL FOR MAKINGS


1. Position furniture in desired location and mark centers

a. Mark wall at the horizontal center of furniture top panel

b. Mark furniture directly adjacent to wall marking

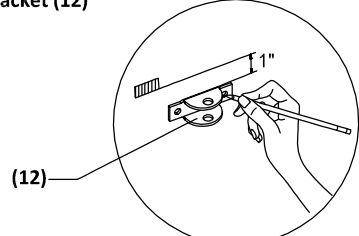
2. Move furniture away from wall



3. Mark pilot hole location on wall

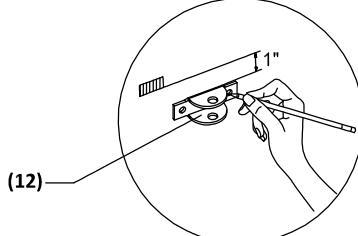
a. For drywall or plaster walls with wood studs:

Locate wall stud nearest wall marking. Center Bracket (12) screw holes on wall stud. Position top edge of bracket (12) one inch (1") below wall marking. Mark pilot hole location using screw holes in Bracket (12)

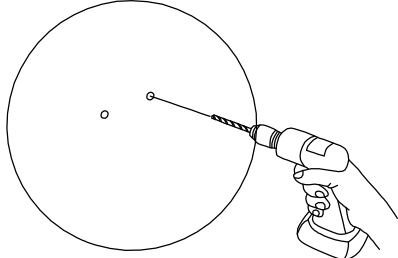


b. For other wall types:

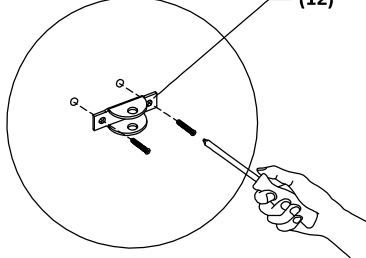
Position Bracket (12) vertical on wall with top of bracket one inch (1") below center mark. Mark pilot hole locations using screw holes in bracket (12)



4. Identify correct Pilot Hole Drill Bit for Wall Type using Table II above. Drill pilot holes where marked



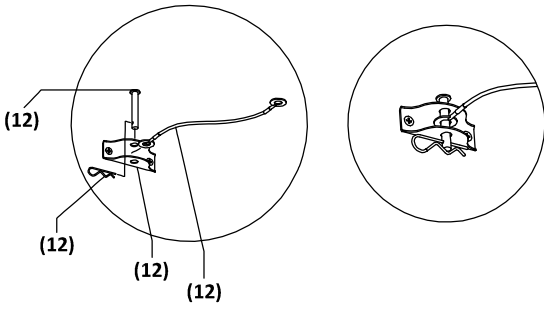
5. Identify correct Wall Fastener type for wall Type using Table II above. Secure Bracket (12) to wall



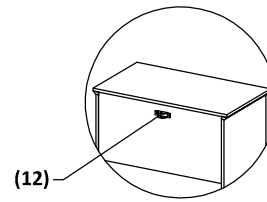
"Manufacturer name - address - production batch is presented at anti tipping hardware box"

# FURNITURE TIP OVER RESTRAINT INSTALLATION MANUAL

6. Secure Cable (12) to wall (12) using Clovis pin (12) and R Clip (12)

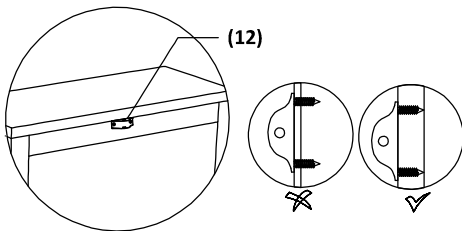


7. Find location near top of furniture to install Bracket (12)

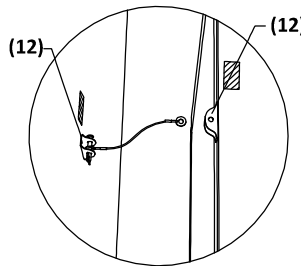


8. Position Bracket (11) on back of furniture and mark pilot hole locations

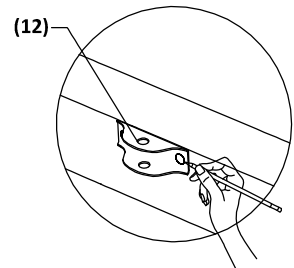
Ensure both screw holes are positioned on solid surface at least 3/4 inch thick



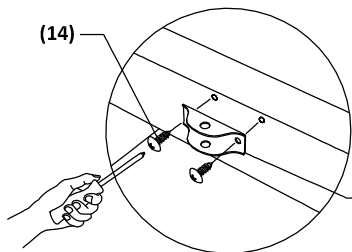
Use center marks from step 1 to ensure Brackets (12) are close enough to connect with cable (12)



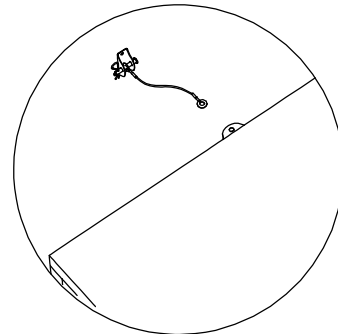
Use screw holes in Bracket (12) to mark pilot hole locations



9. Secure Bracket (12) to furniture using Short Screw (14)



10. Position furniture in desired location



11. Secure Cable (12) to furniture Bracket (12) using Clovis Pin (12) and R clip (12)

