

BUFFET CABINET

User Manual

INTRODUCTION

Thank you for choosing the Buffet Cabinet. Please read this user manual carefully and keep it for future reference. If you need any assistance, please contact us by email with your order number and details.

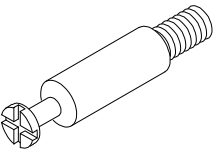

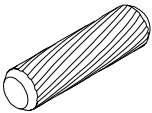
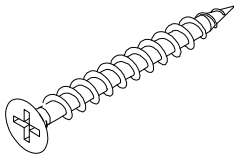
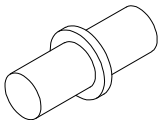
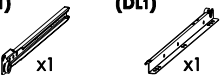

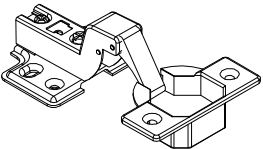
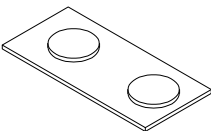
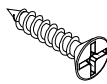
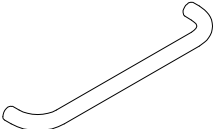
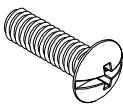
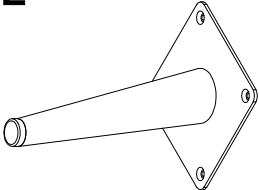
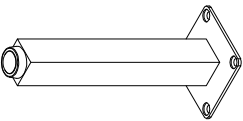
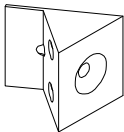
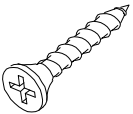
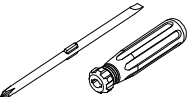
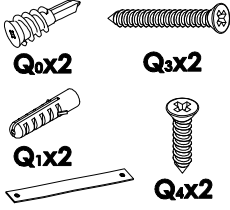
PACKAGE CONTENTS

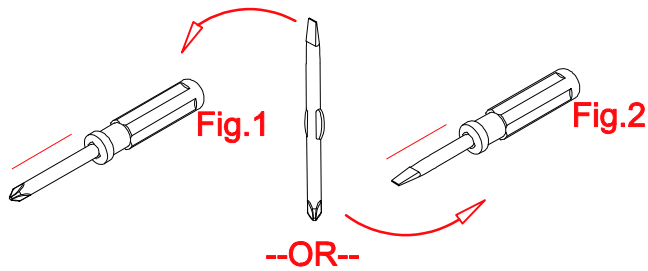
- Buffet Cabinet
- Pack of Accessories
- User Manual

PRODUCT CARE

- Please follow the instruction to assemble this item correctly.
- Don't make the screws be too loose or too tight.
- Please put the screws into the holes' position just as shown in the arrows of the image, and then clockwise rotate 90° or 180°
- The fittings pack contains small accessories that should be kept away from small children.

HARDWARE SUPPLIED

<p>A</p>  <p>Ø6X35mm 53PCS</p>	<p>B</p>  <p>Ø15X9.8mm 53PCS</p>	<p>C</p>  <p>Ø8X30mm 48PCS</p>	<p>D</p>  <p>Ø4X40mm 24PCS</p>	<p>E</p>  <p>4PCS</p>
<p>F</p> <p>(CL1) (DL1)</p>  <p>x1 x1</p> <p>(DR1) (CR1)</p>  <p>x1 x1</p> <p>12inch/300mm 1SET</p>	<p>G</p>  <p>6PCS</p>	<p>H</p>  <p>3PCS</p>	<p>I</p>  <p>Ø3.5X14mm 77PCS</p>	<p>J</p>  <p>4PCS</p>
<p>K</p>  <p>Ø4X16mm 8PCS</p>	<p>L</p>  <p>4PCS</p>	<p>M</p>  <p>1PC</p>	<p>N</p>  <p>42PCS</p>	<p>O</p>  <p>Ø3X16mm 42PCS</p>
<p>P</p>  <p>1PC</p>	<p>Q</p>  <p>Q0x2 Q3x2</p> <p>Q1x2 Q4x2</p> <p>Q2x2 2SET</p>			



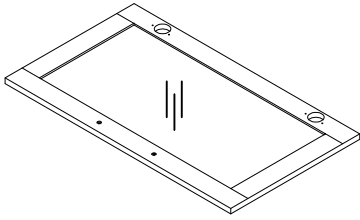
Unit: (mm) **PARTS LIST**

<p>01 666*393</p> <p>x1</p>	<p>02 666*393</p> <p>x1</p>	<p>03 666*393</p> <p>x1</p>
<p>04 1190*395</p> <p>x1</p>	<p>05 1190*395</p> <p>x1</p>	<p>06 1160*80</p> <p>x1</p>
<p>07 763*52</p> <p>x1</p>	<p>08 383*60</p> <p>x1</p>	<p>09 769*252</p> <p>x1</p>
<p>10 769*332</p> <p>x1</p>	<p>11 592*389</p> <p>x1</p>	<p>12 378*120</p> <p>x1</p>
<p>13 300*80</p> <p>x1</p>	<p>14 300*80</p> <p>x1</p>	<p>15 333*80</p> <p>x1</p>
<p>16 343*297</p> <p>x1</p>	<p>17 763*357</p> <p>x1</p>	<p>18 381*361</p> <p>x1</p>

Unit: (mm)

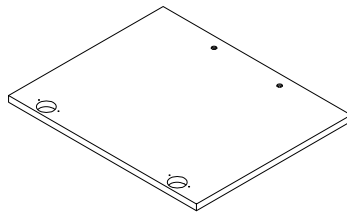
PARTS LIST

19 660*377



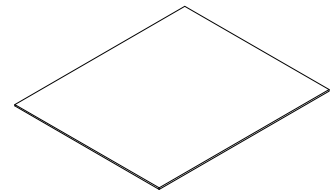
x2

20 460*378



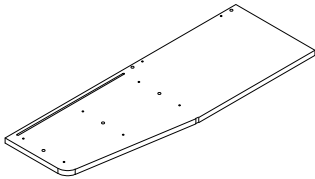
x1

21 389*330



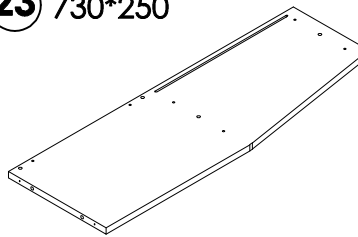
x1

22 730*250



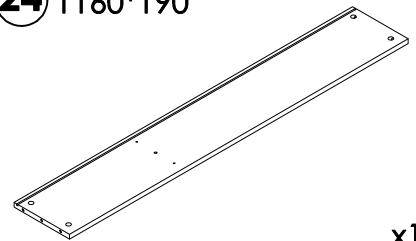
x1

23 730*250



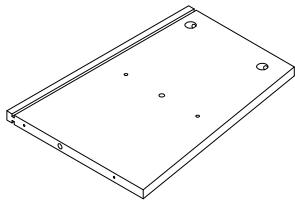
x1

24 1160*190



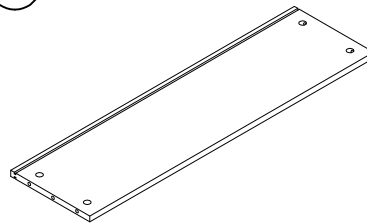
x1

25 324*243



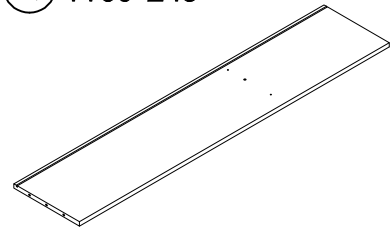
x1

26 763*213



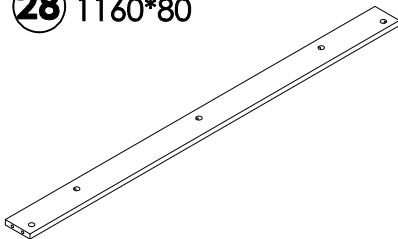
x1

27 1160*245



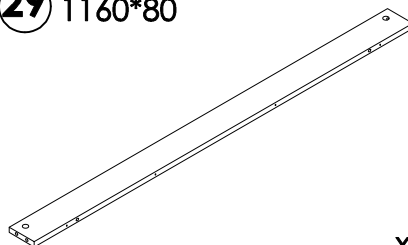
x1

28 1160*80



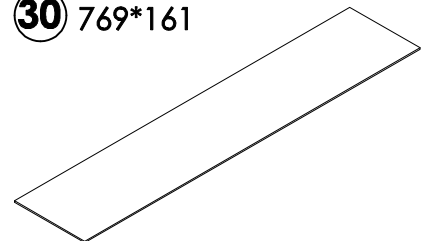
x1

29 1160*80



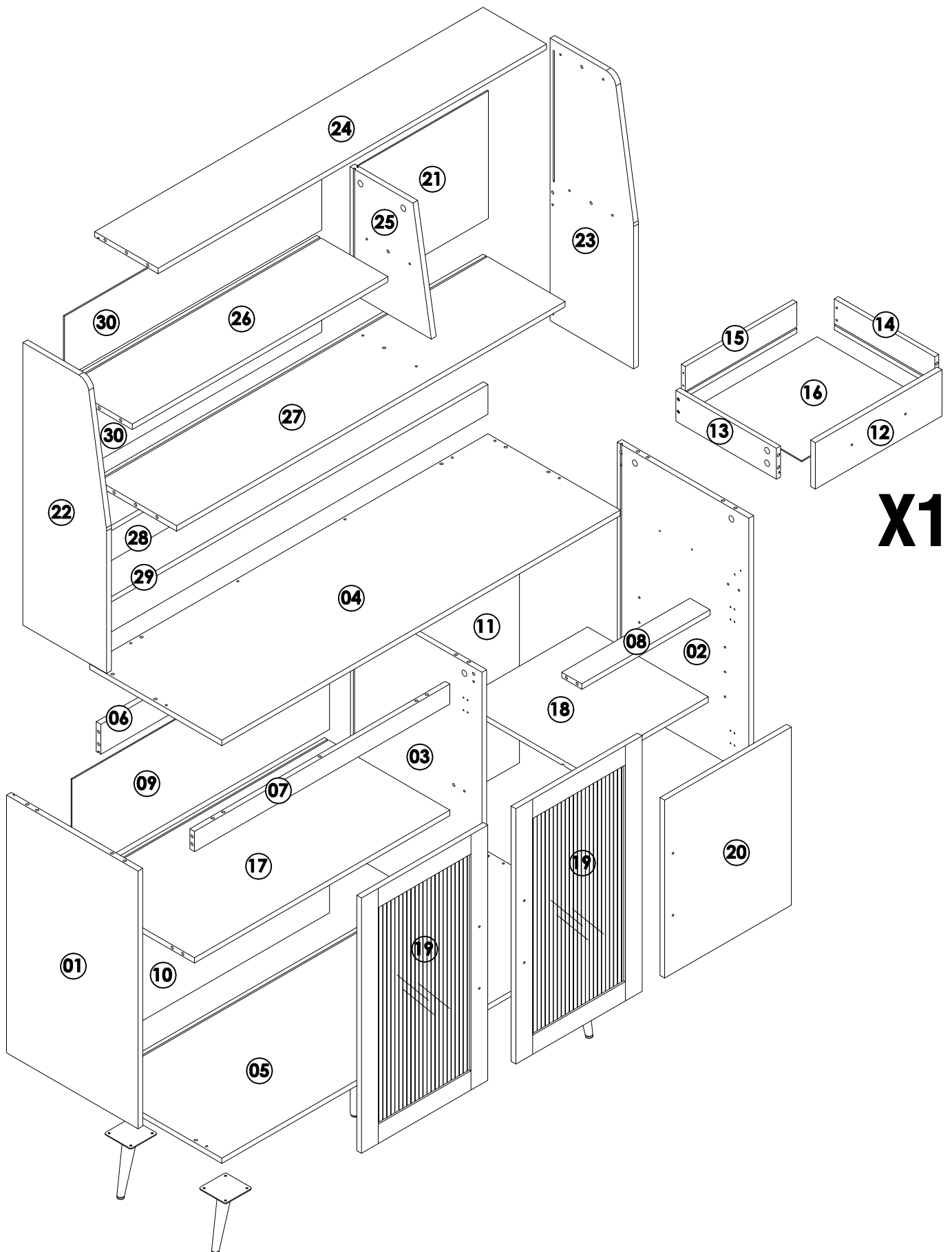
x1

30 769*161



x2

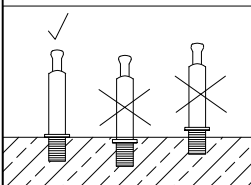
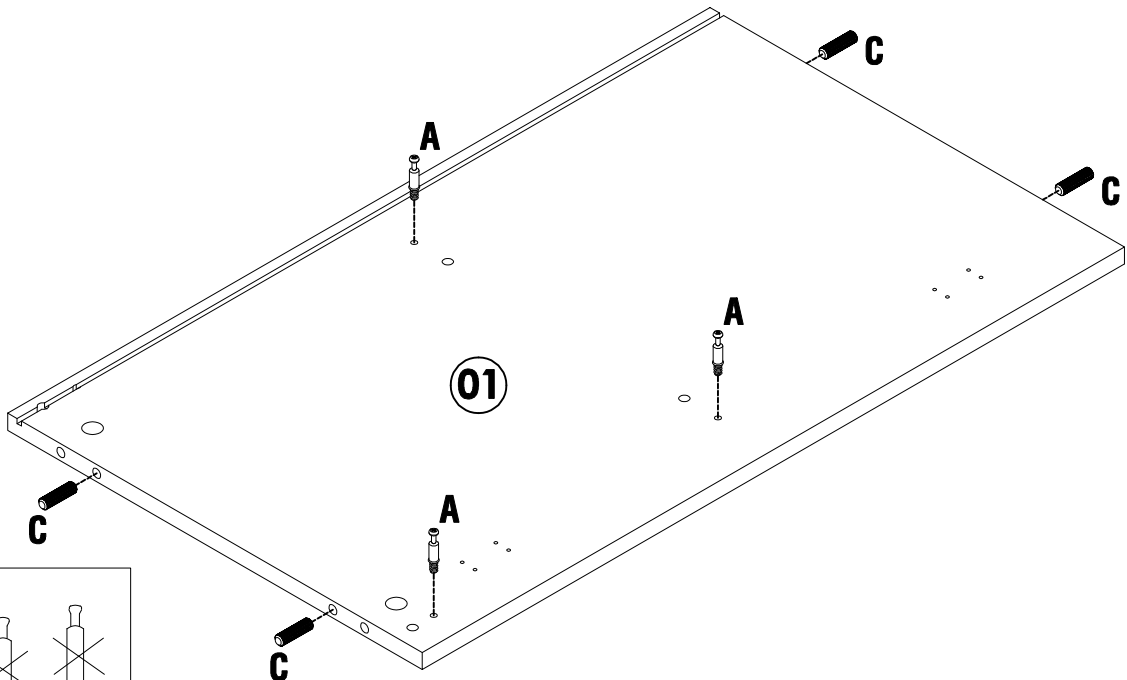
PANEL LAYOUT



Step 01

YOU WILL NEED

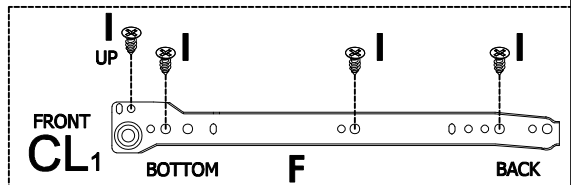
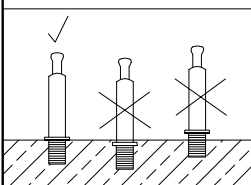
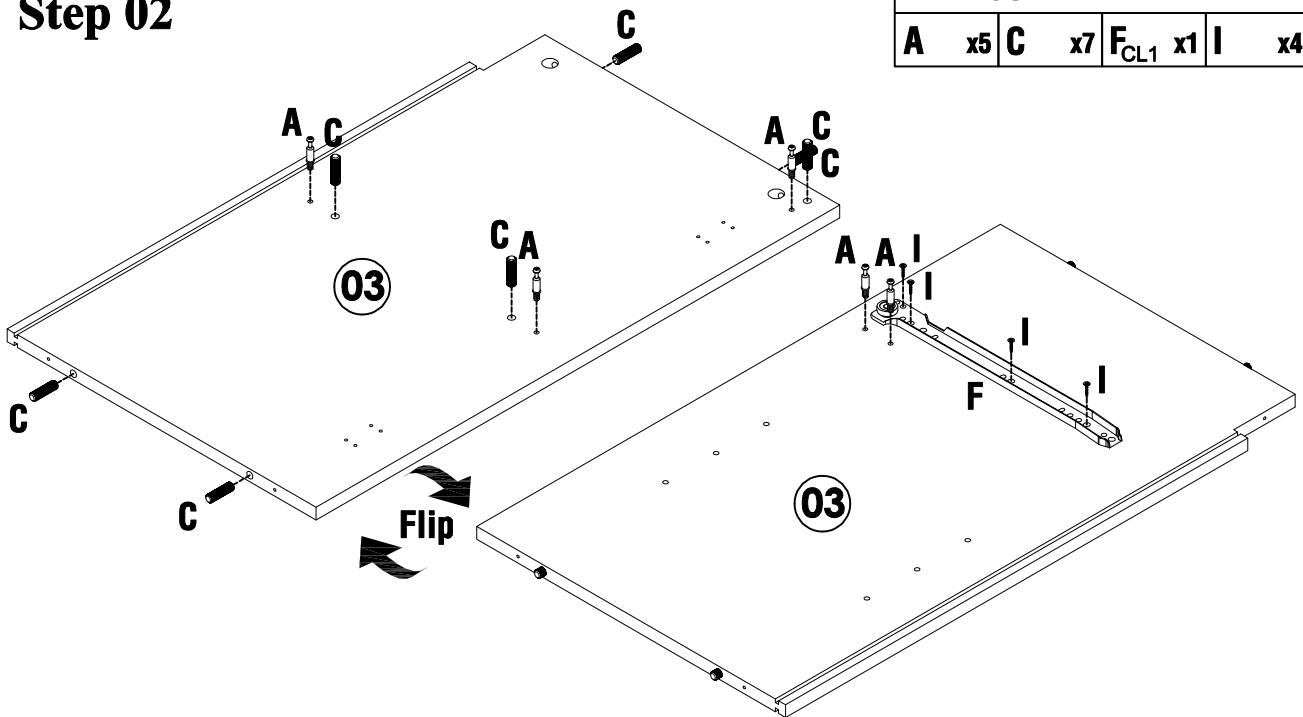
A	x3	C	x4
---	----	---	----



Step 02

YOU WILL NEED

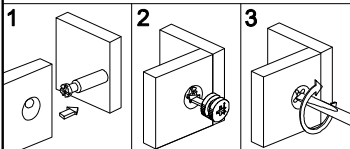
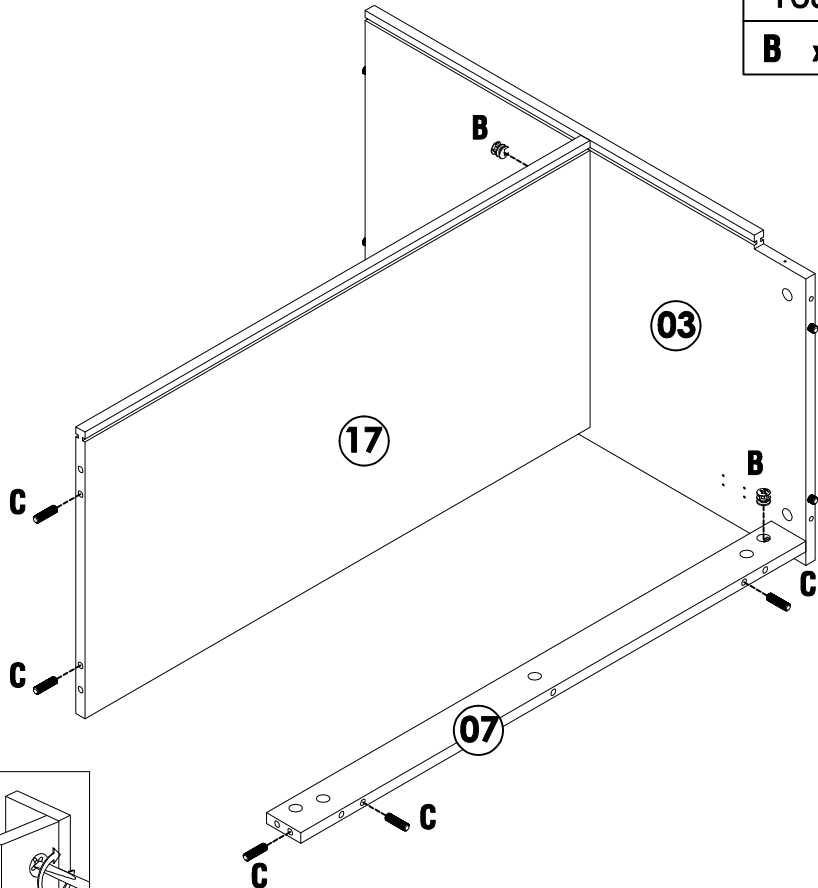
A	x5	C	x7	F _{CL1}	x1	I	x4
---	----	---	----	------------------	----	---	----



Step 03

YOU WILL NEED

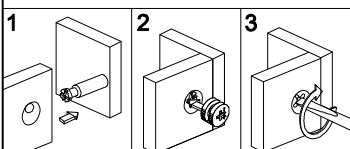
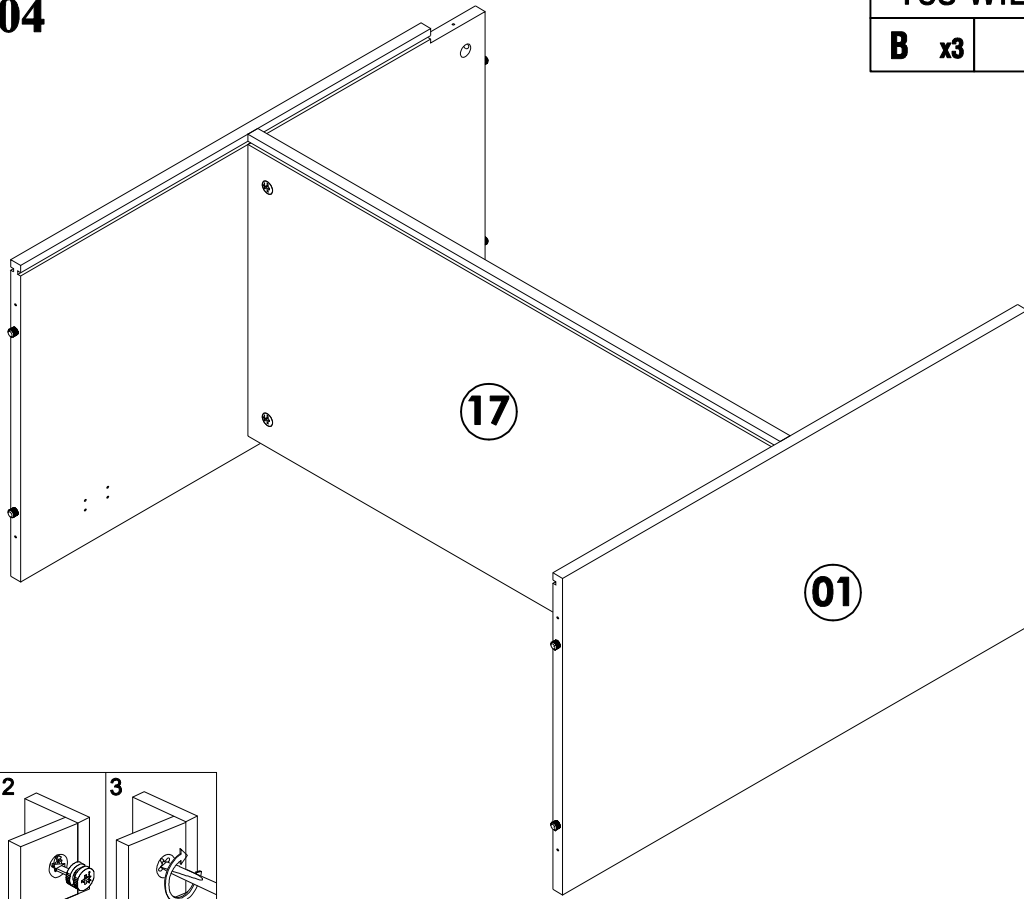
B x3	C x5
-------------	-------------



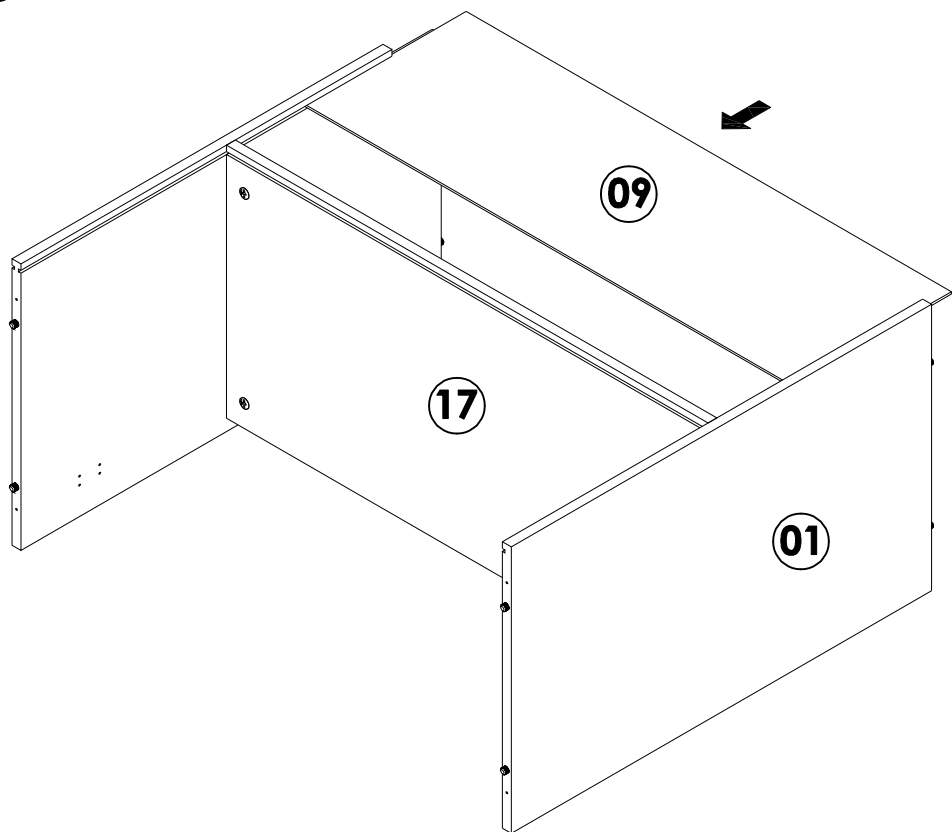
Step 04

YOU WILL NEED

B x3		
-------------	--	--

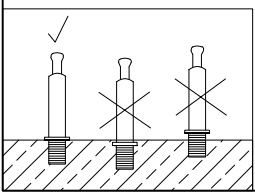
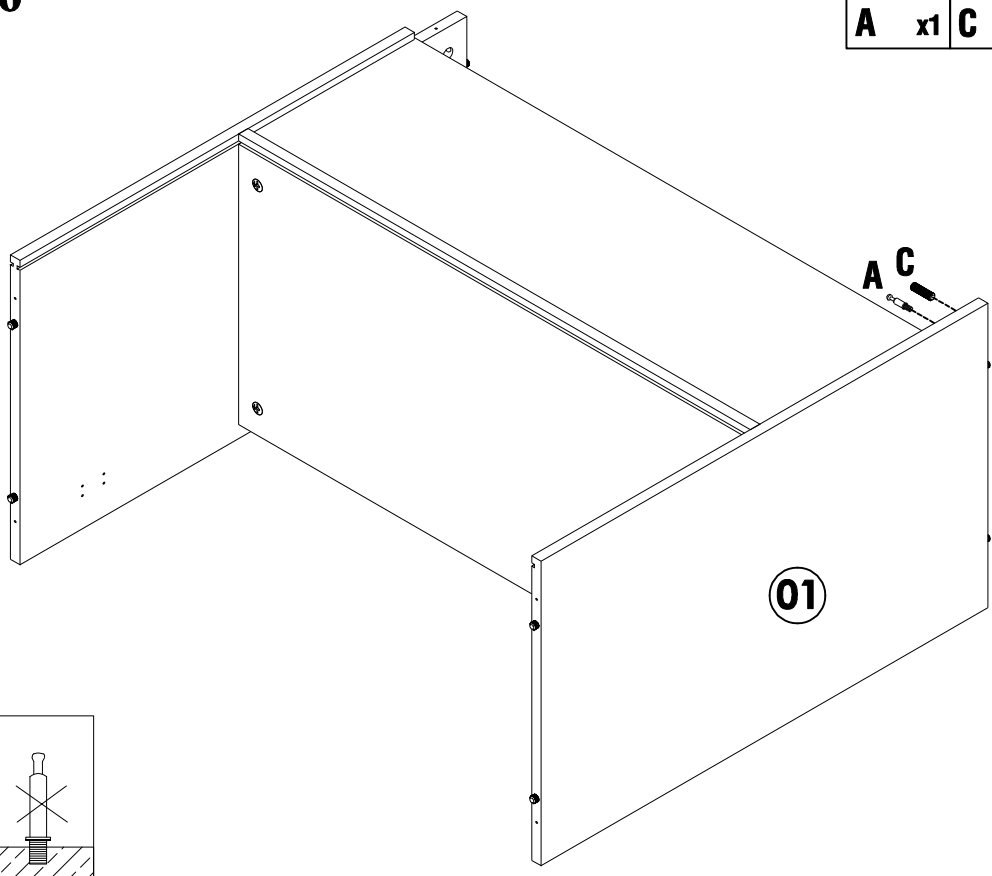


Step 05

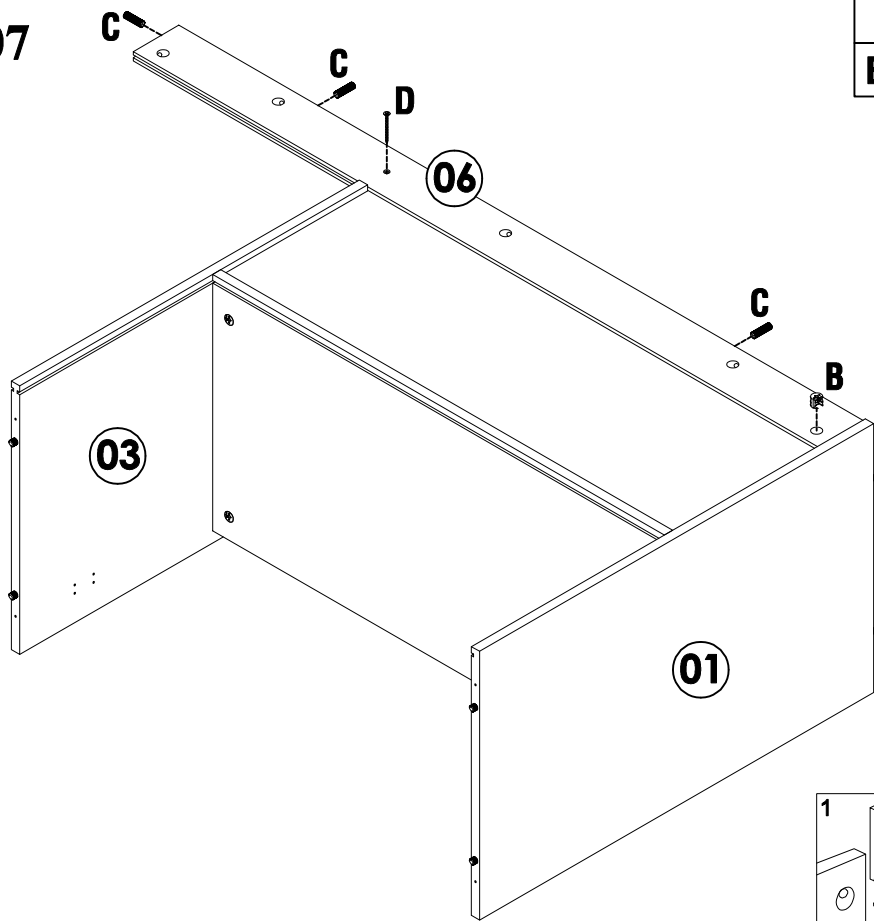


Step 06

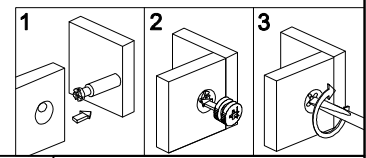
YOU WILL NEED			
A	x1	C	x1



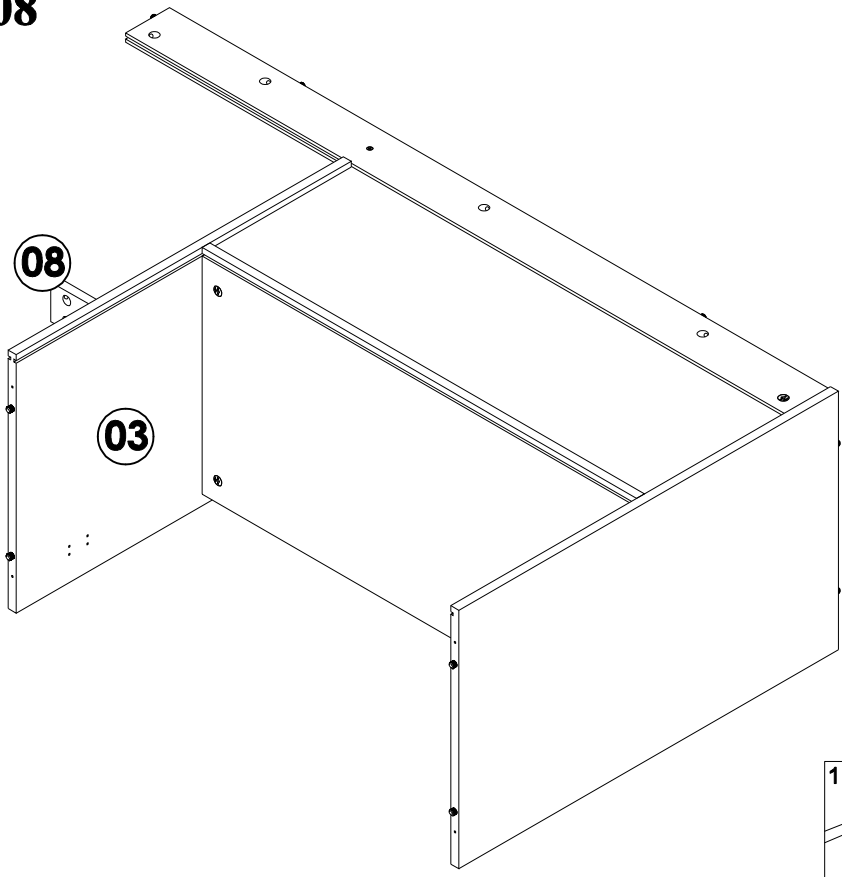
Step 07



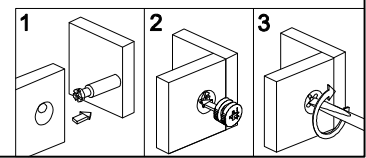
YOU WILL NEED		
B	x1	C
		x3
		D
		x1



Step 08



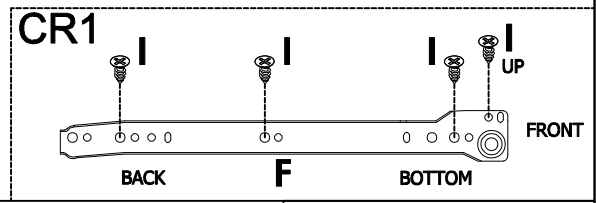
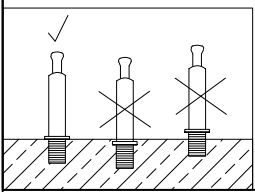
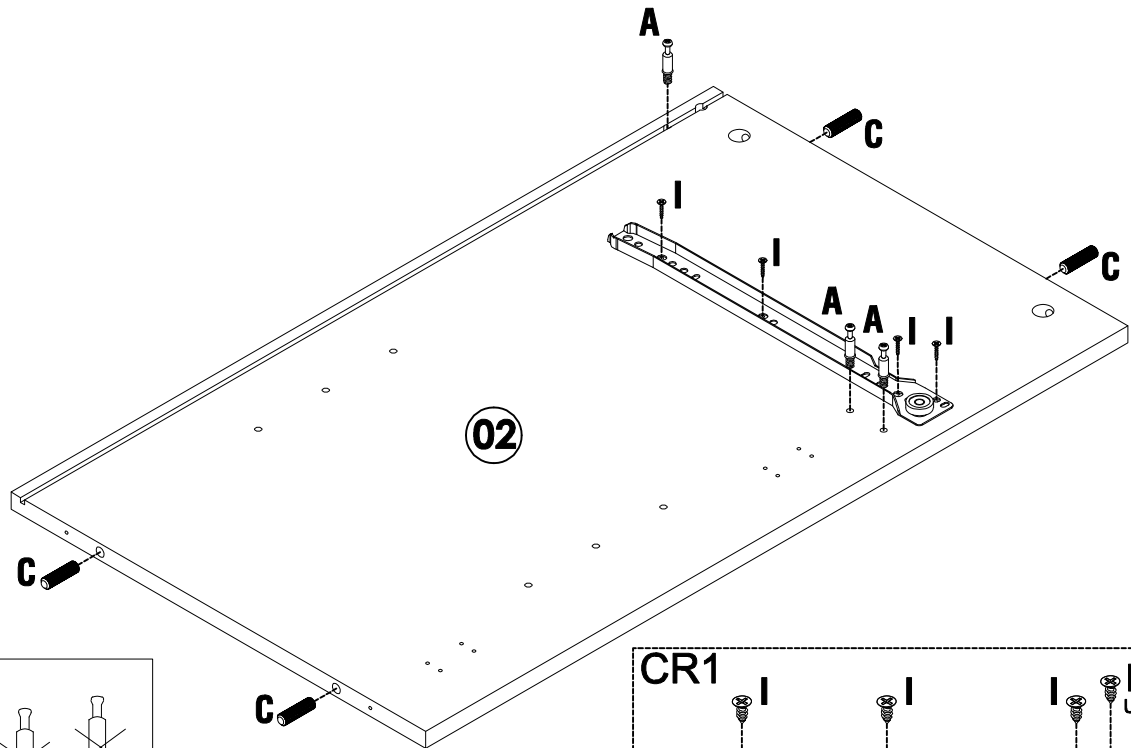
YOU WILL NEED		
B	x2	



Step 09

YOU WILL NEED

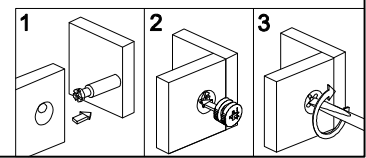
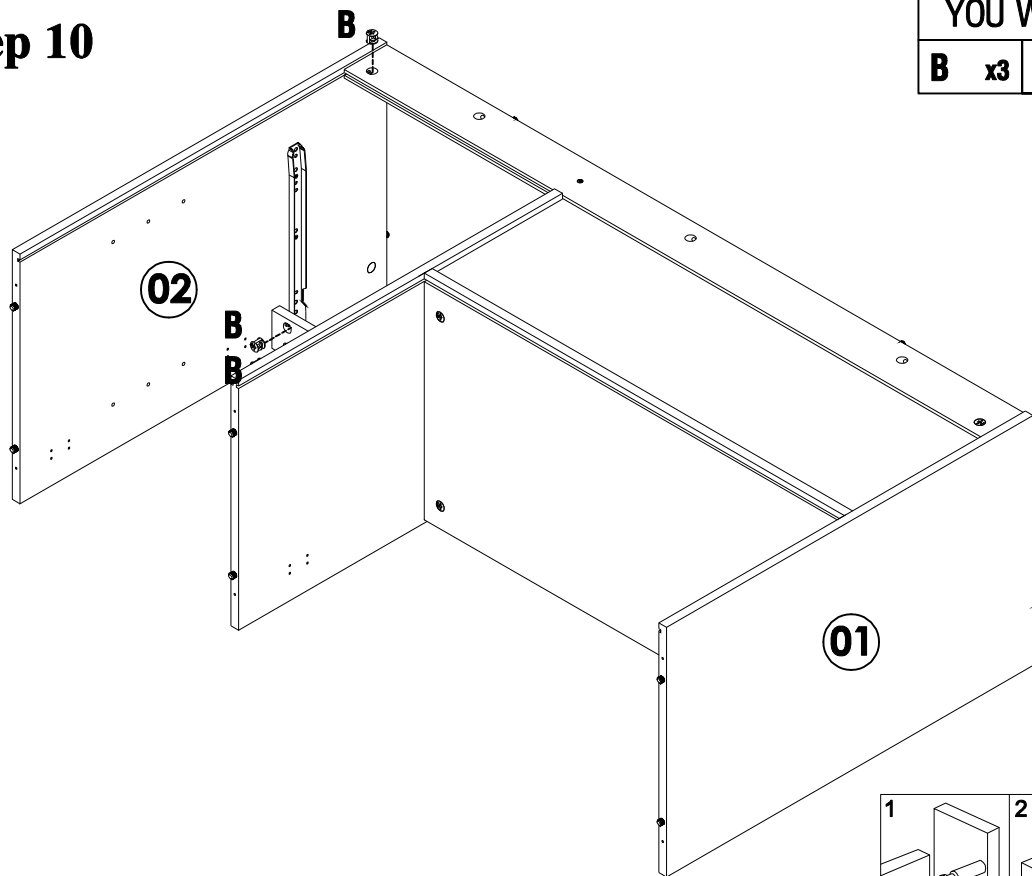
A	x3	C	x4	F_{CR1}	x1	I	x4
----------	----	----------	----	------------------------	----	----------	----



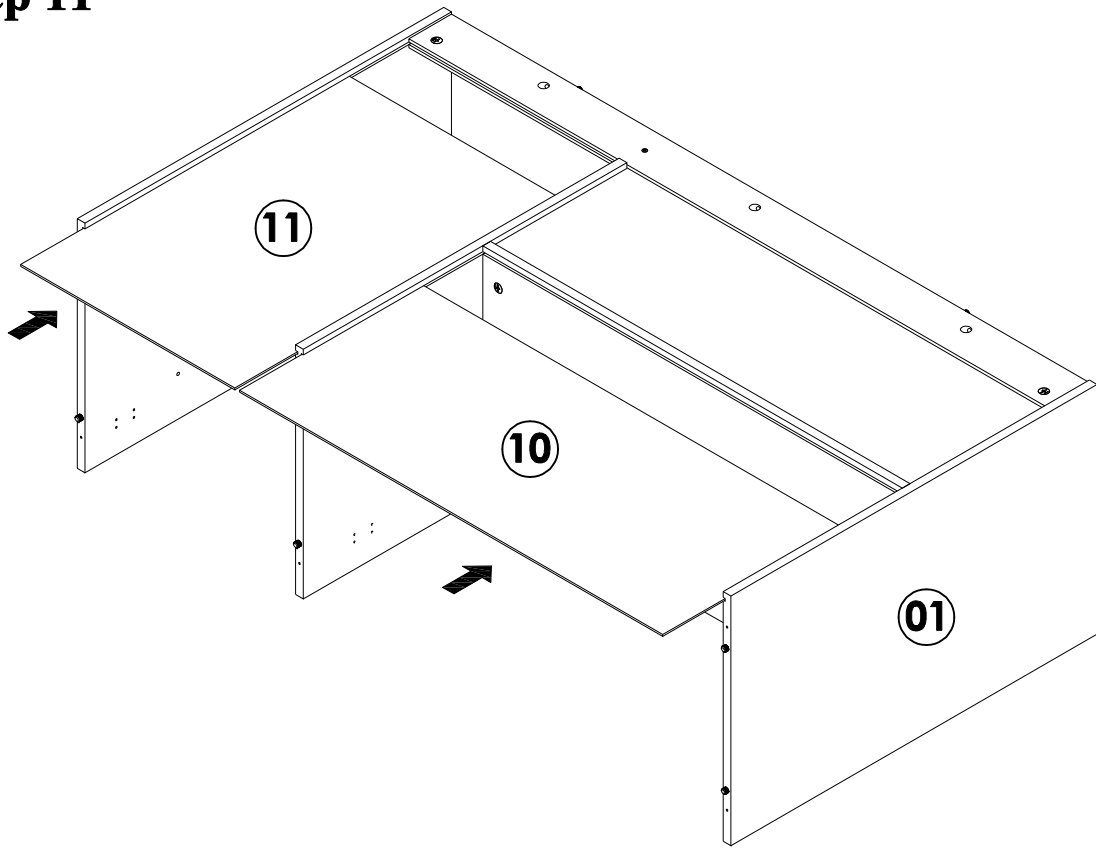
Step 10

YOU WILL NEED

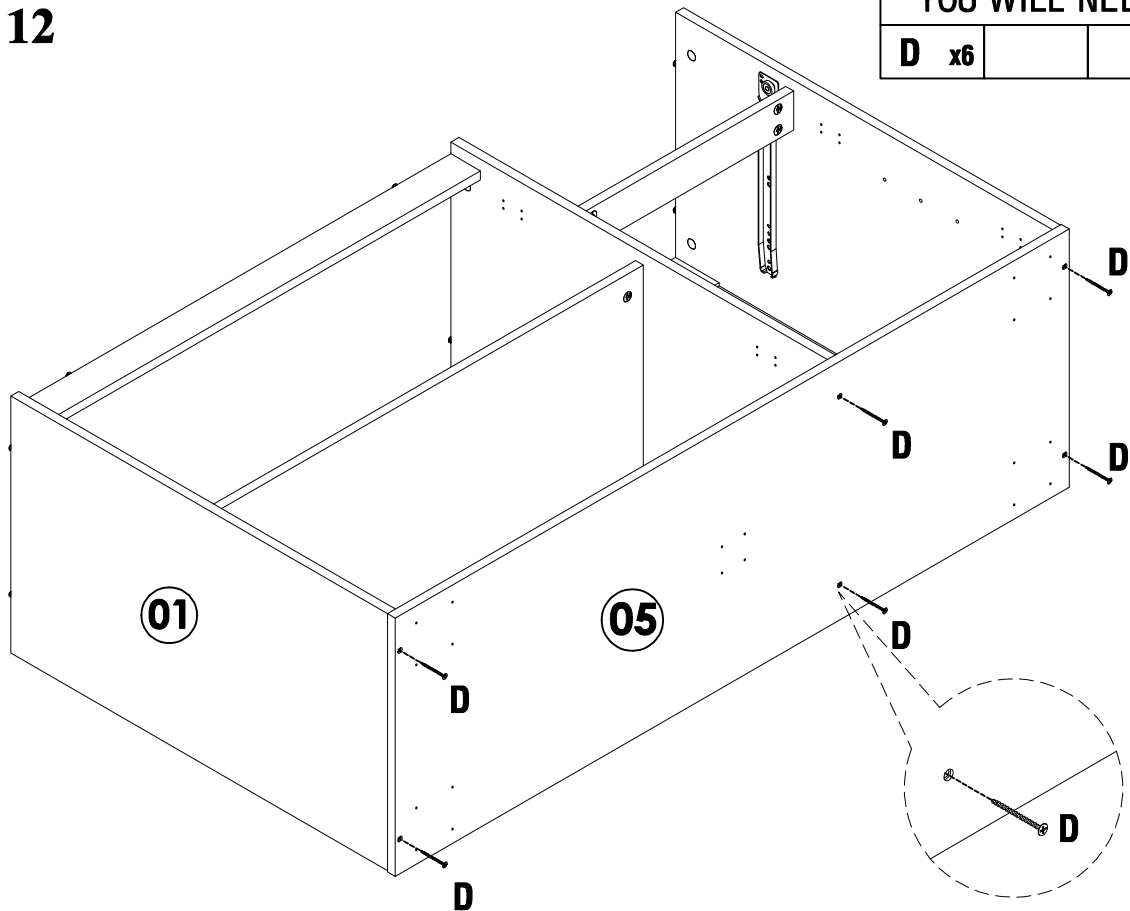
B	x3		
----------	----	--	--



Step 11



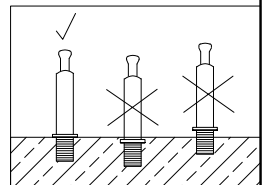
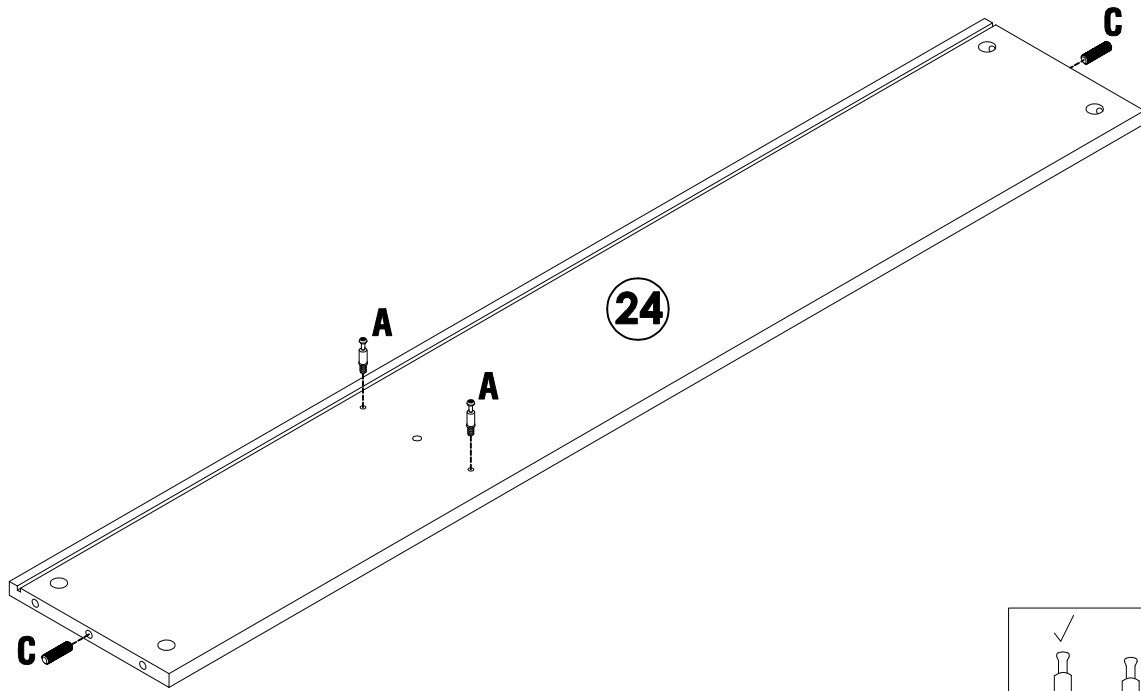
Step 12



Step 15

YOU WILL NEED

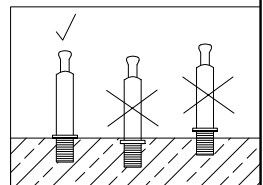
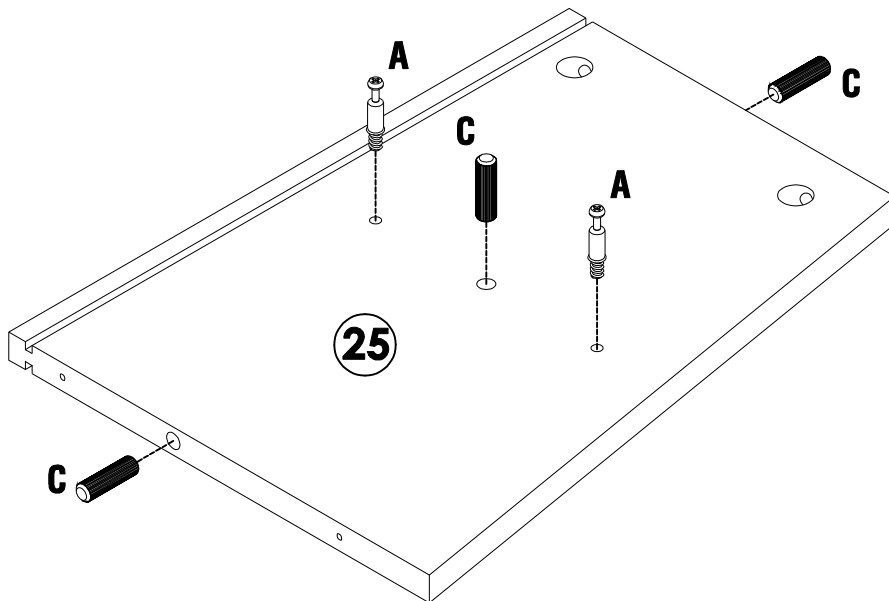
A	x2	C	x2
---	----	---	----



Step 16

YOU WILL NEED

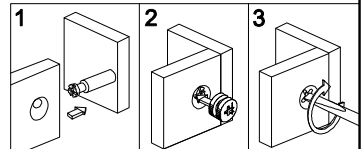
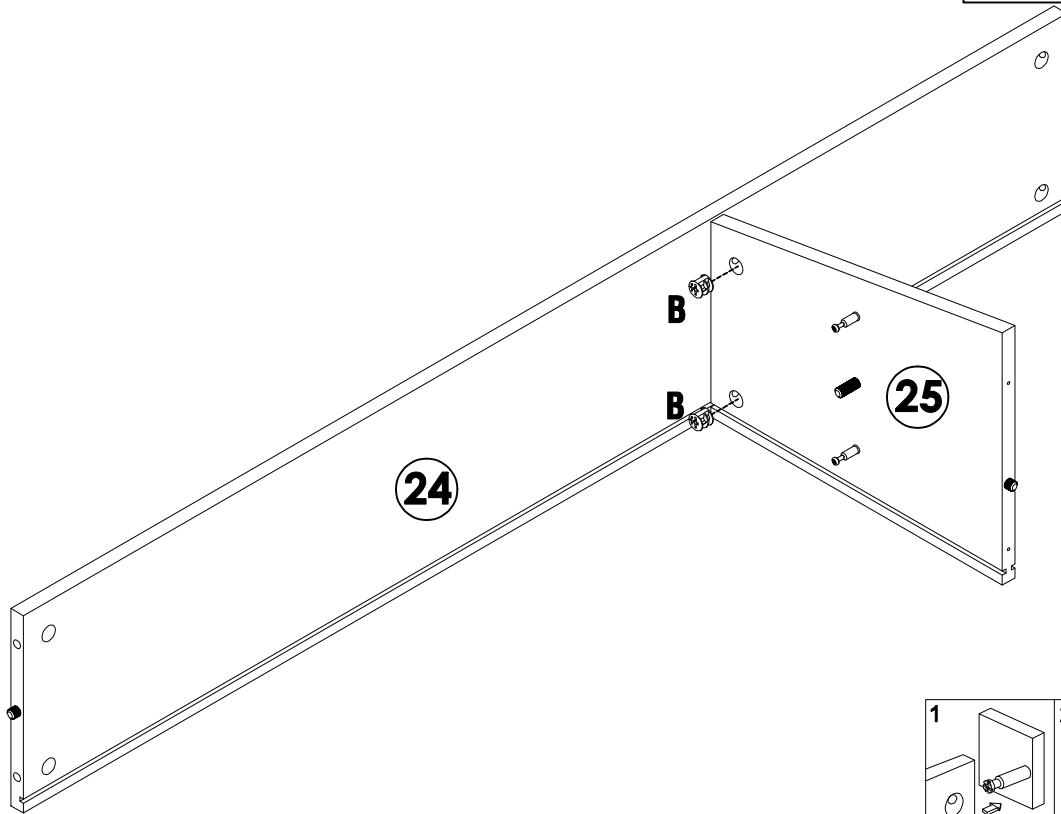
A	x2	C	x3
---	----	---	----



Step 17

YOU WILL NEED

B x2

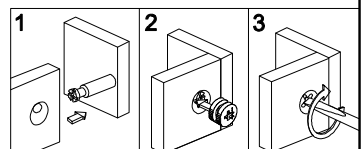
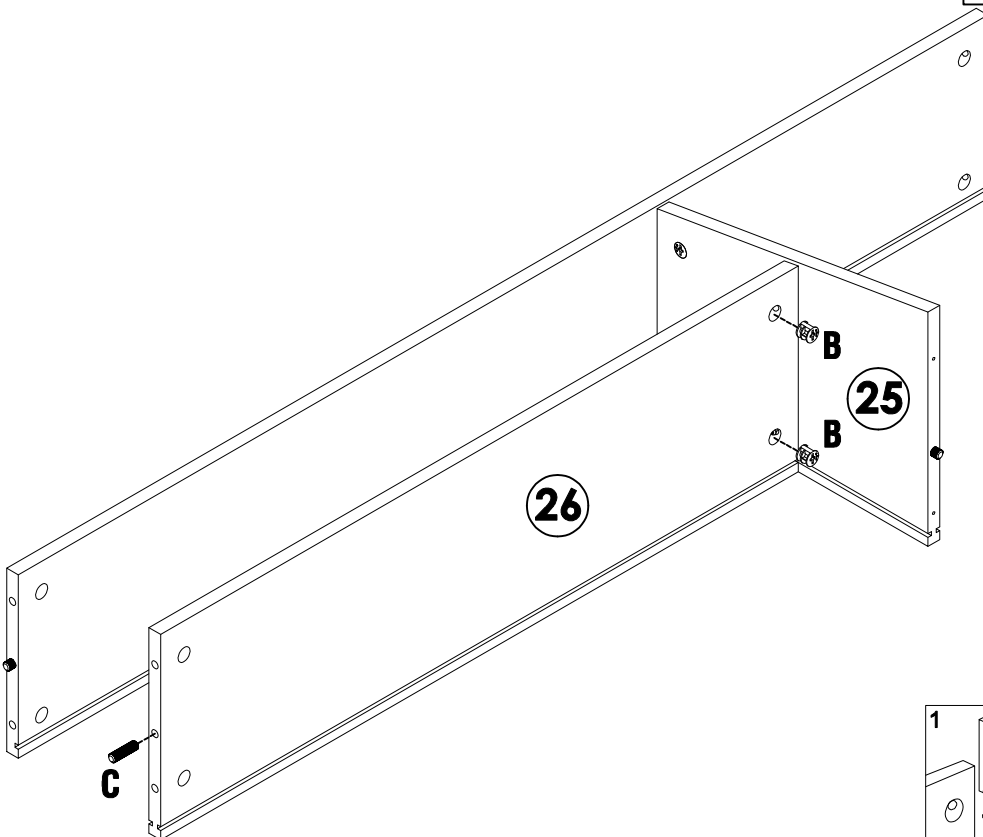


Step 18

YOU WILL NEED

B x2

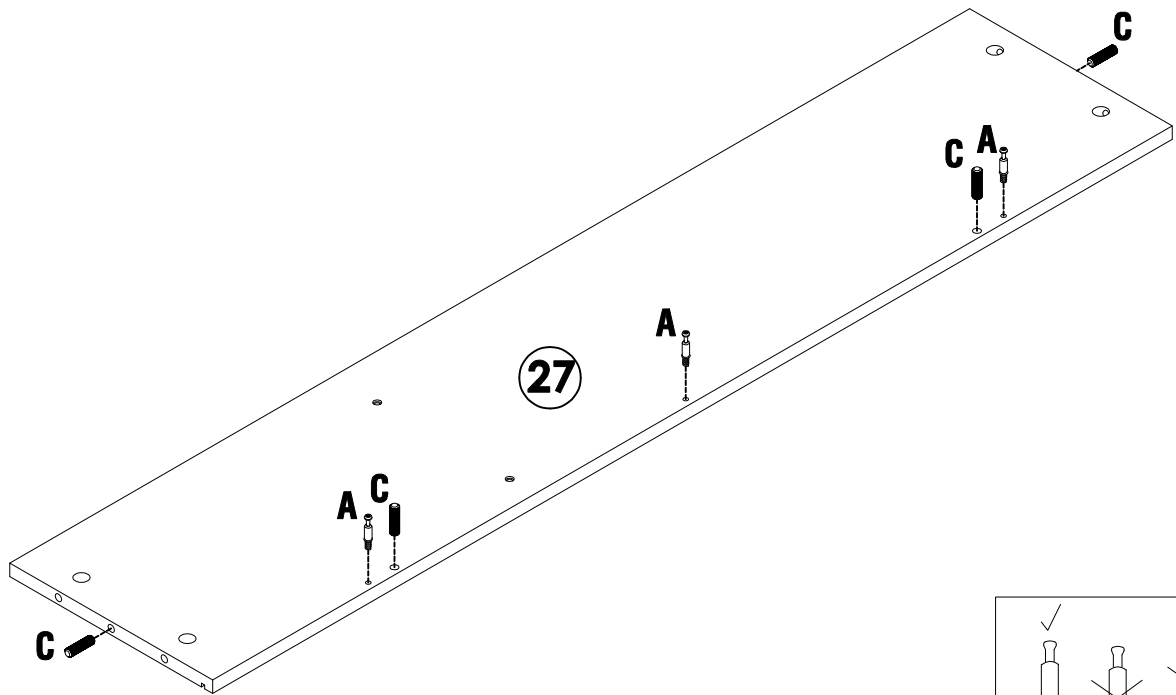
C x1



Step 19

YOU WILL NEED

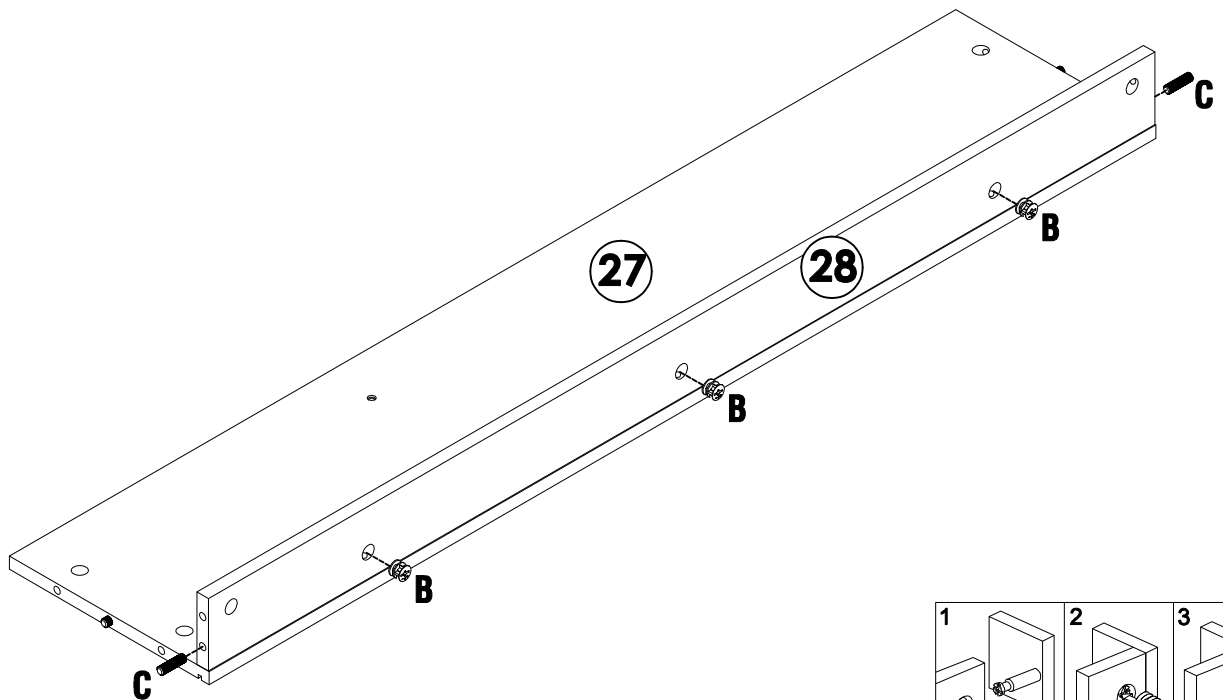
A	x3	C	x4
----------	----	----------	----



Step 20

YOU WILL NEED

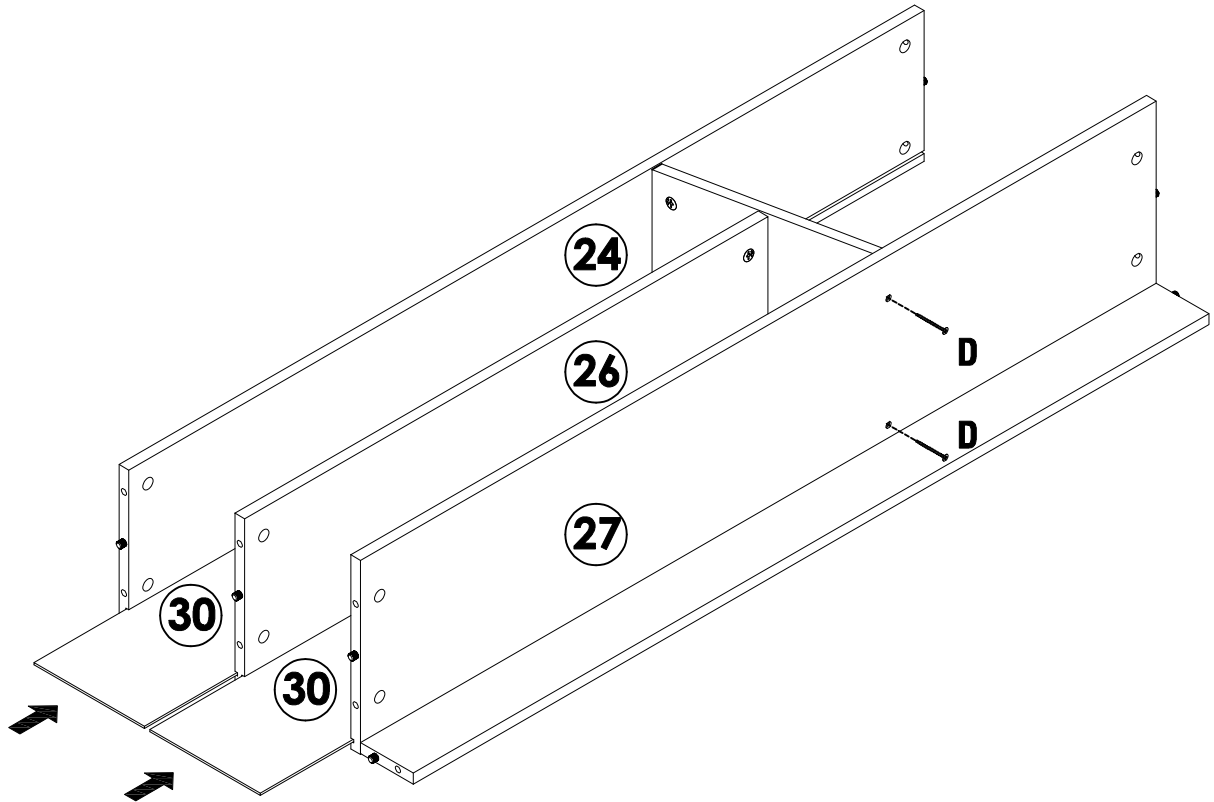
B	x3	C	x2
----------	----	----------	----



Step 21

YOU WILL NEED

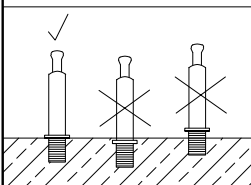
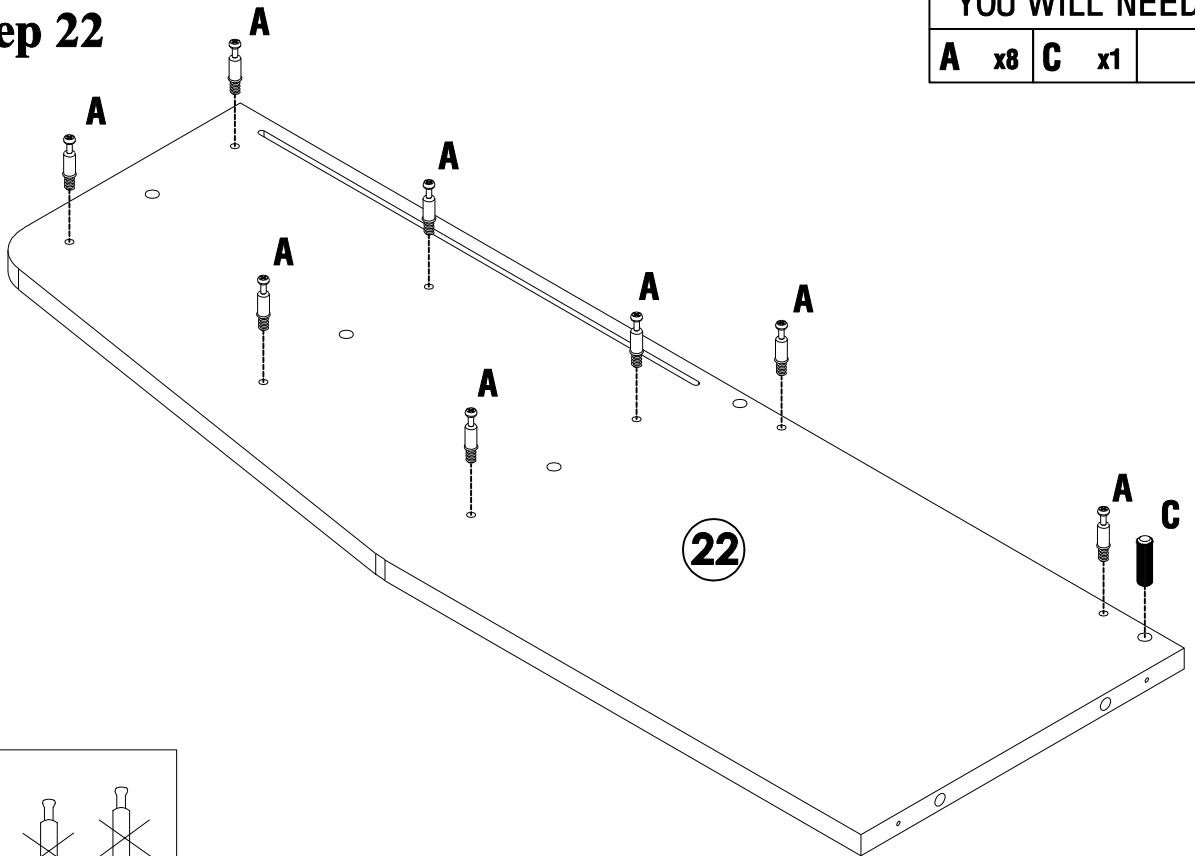
D	x2		
----------	----	--	--



Step 22

YOU WILL NEED

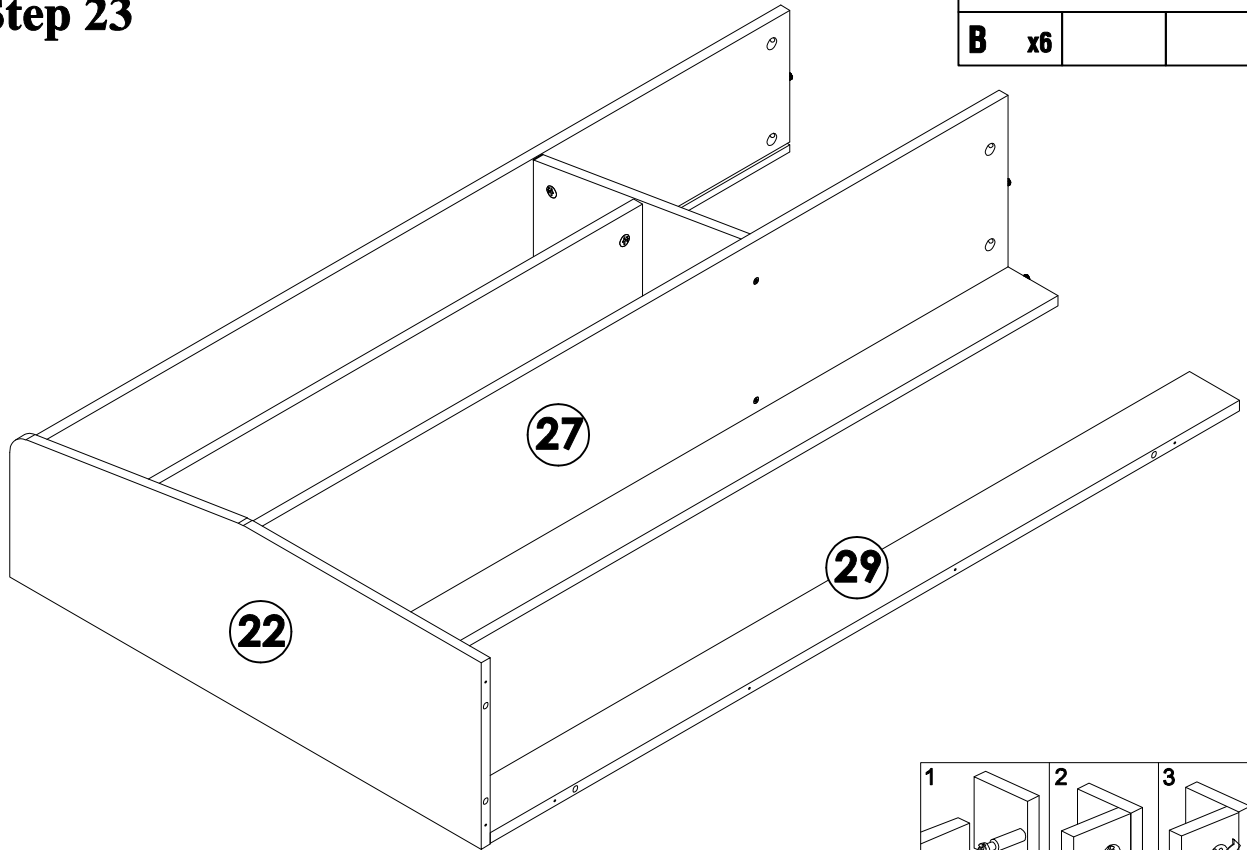
A	x8	C	x1
----------	----	----------	----



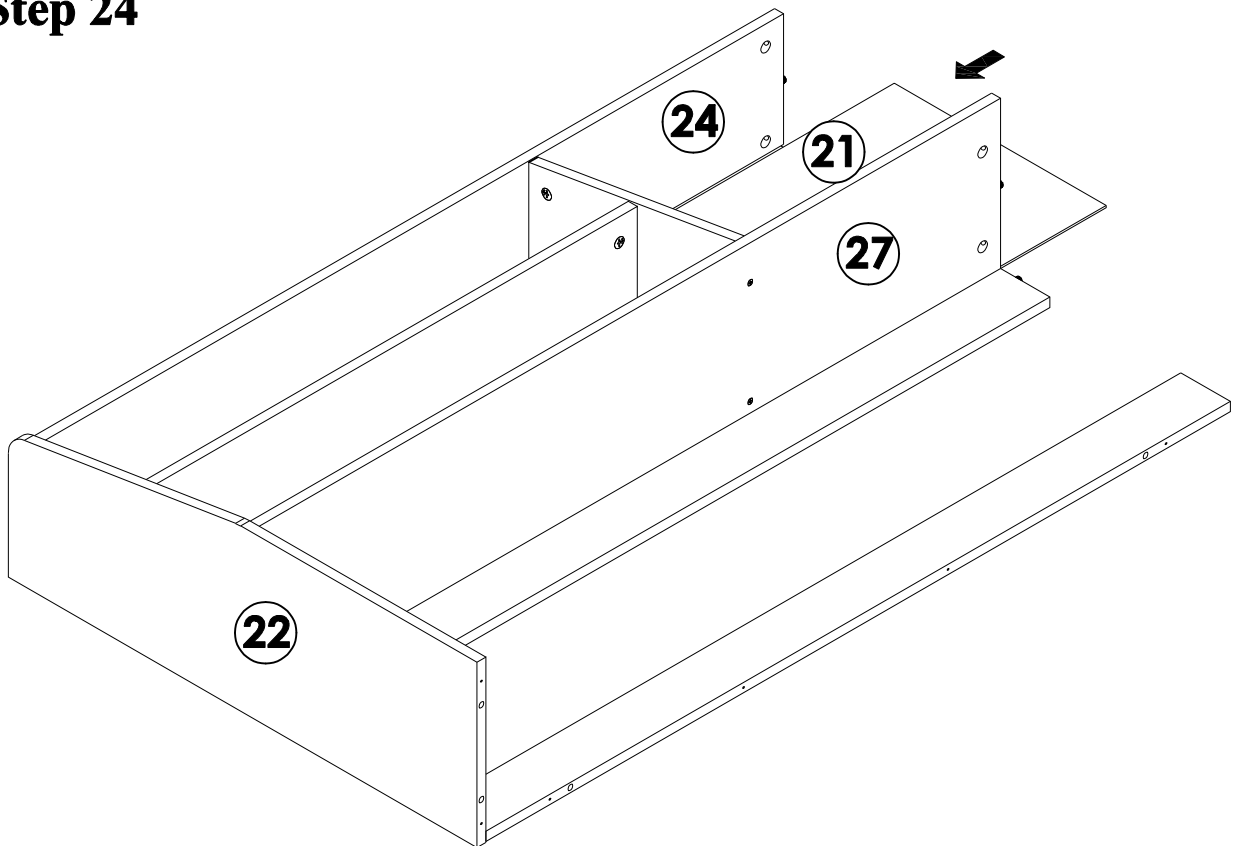
Step 23

YOU WILL NEED

B x6



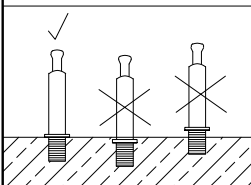
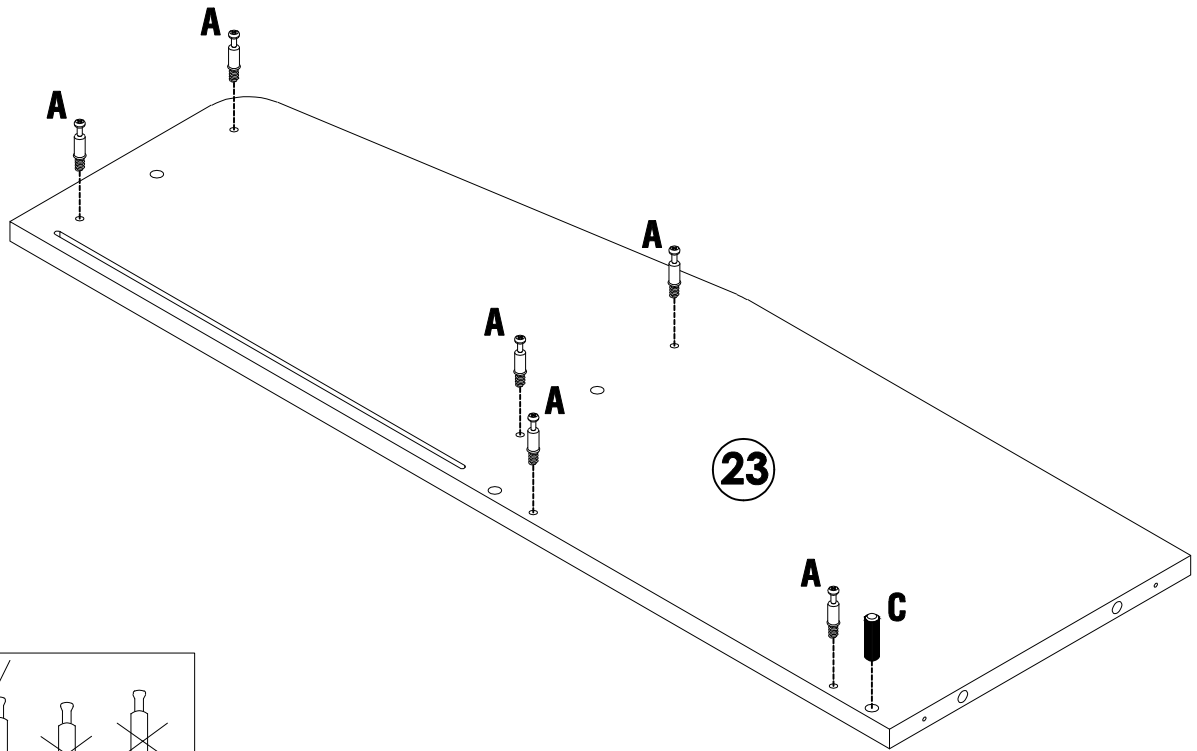
Step 24



Step 25

YOU WILL NEED

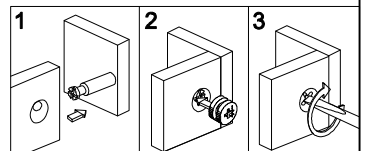
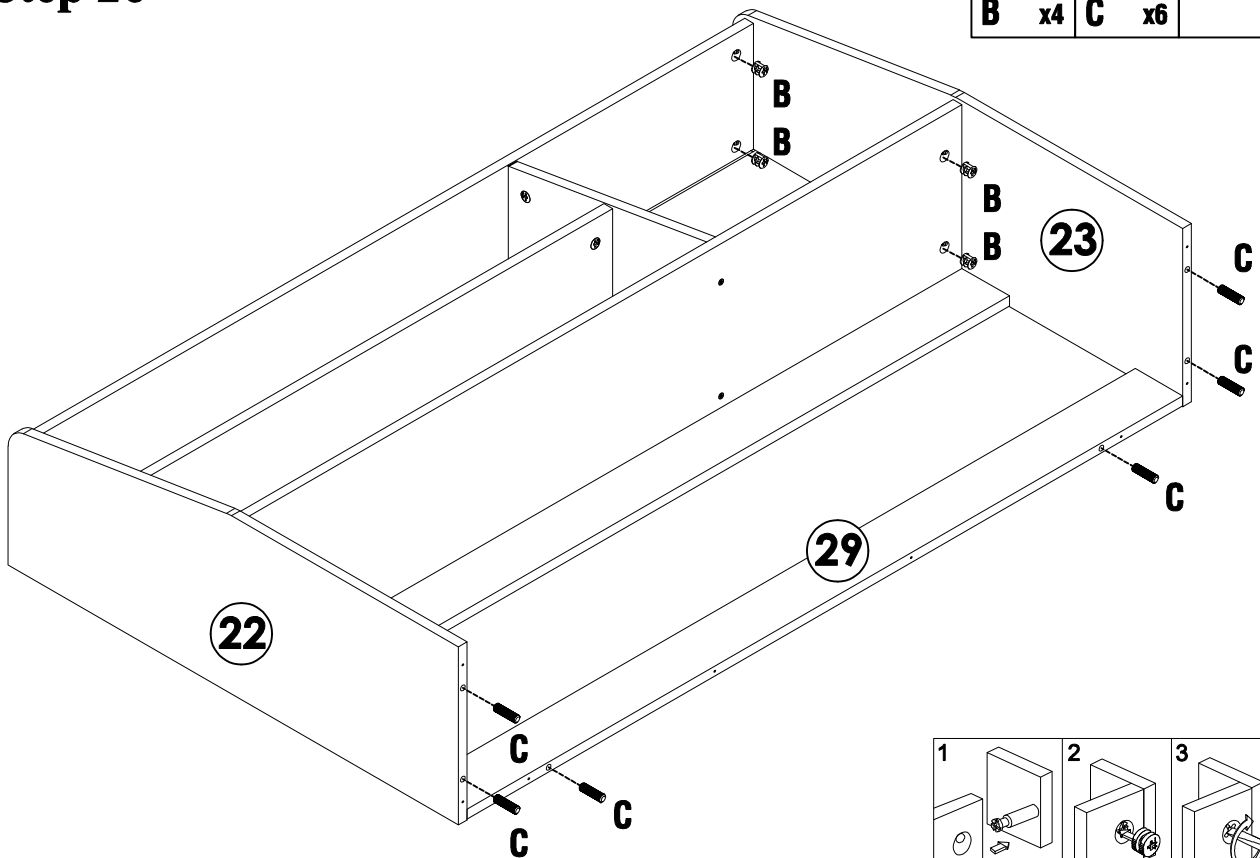
A	x6	C	x1
----------	----	----------	----



Step 26

YOU WILL NEED

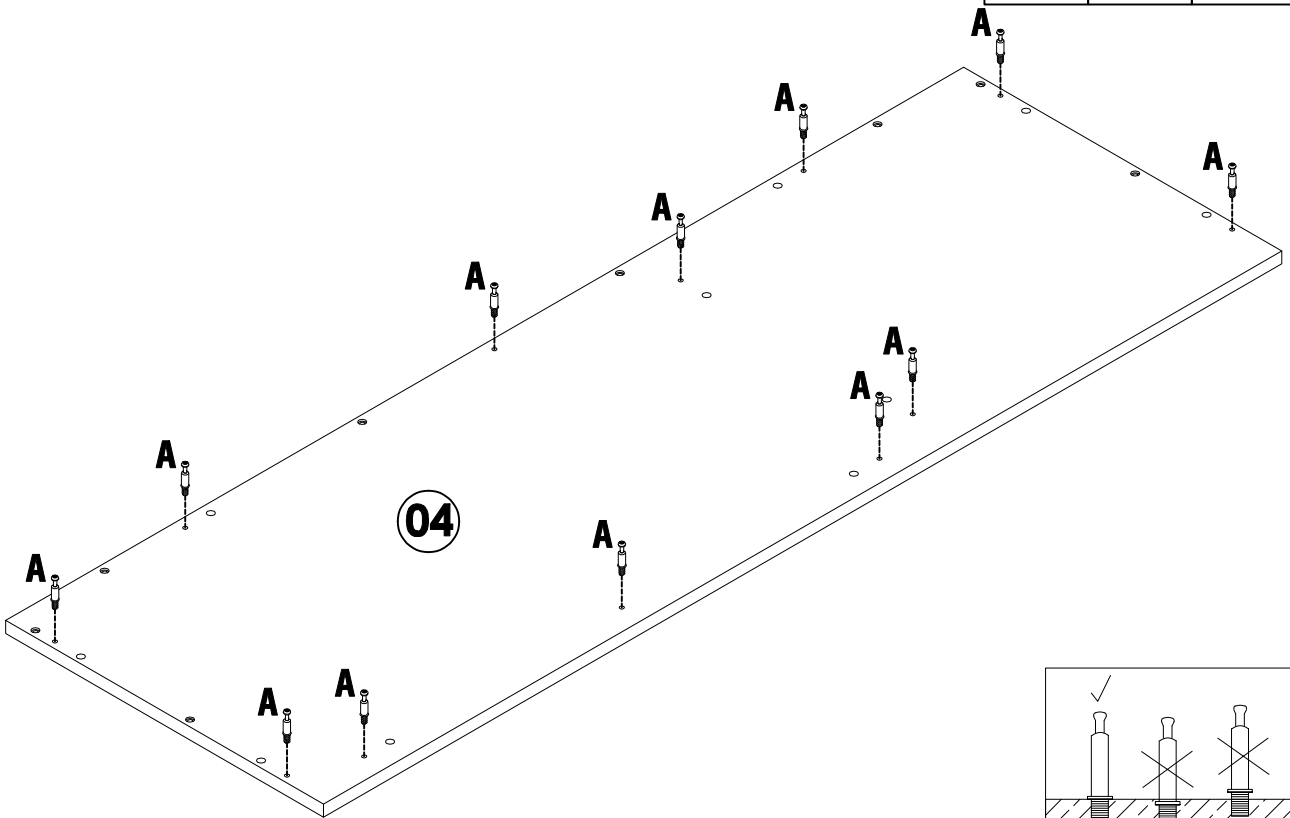
B	x4	C	x6
----------	----	----------	----



Step 27

YOU WILL NEED

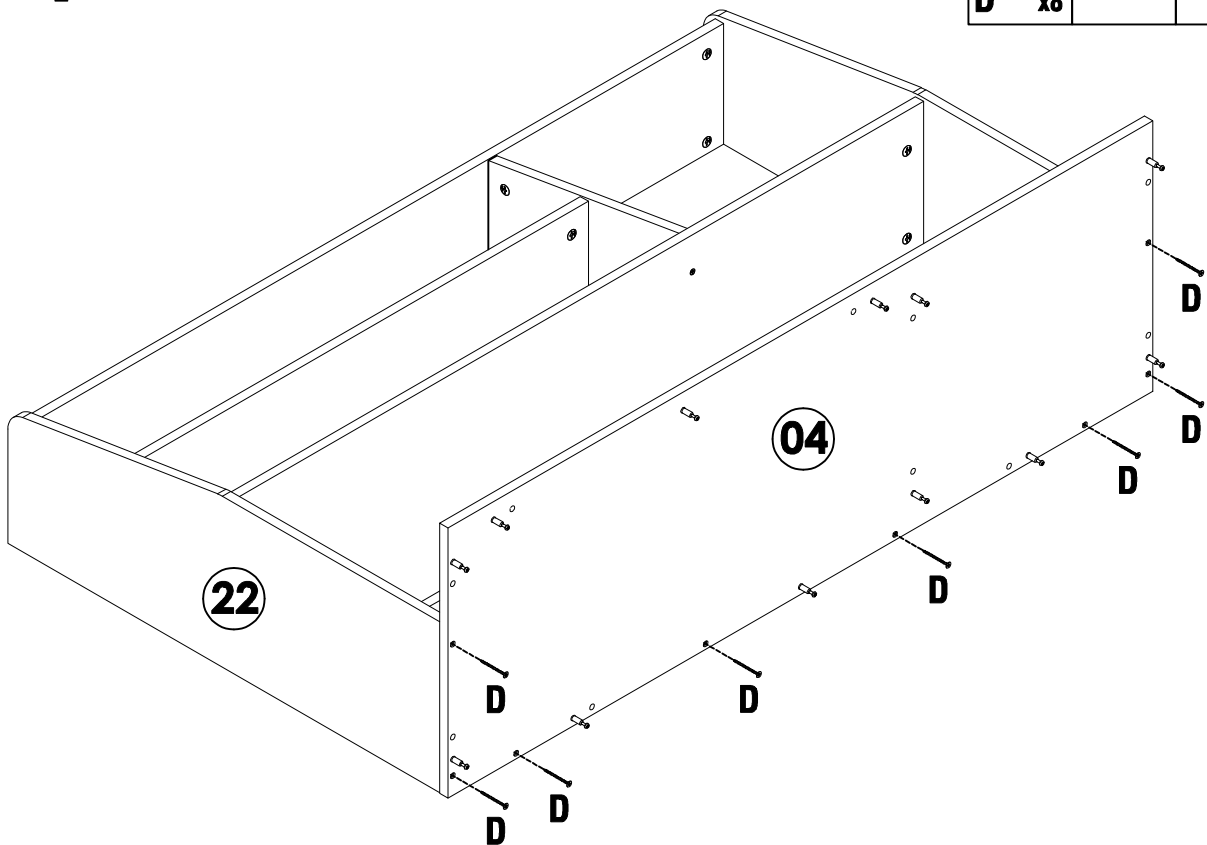
A x12



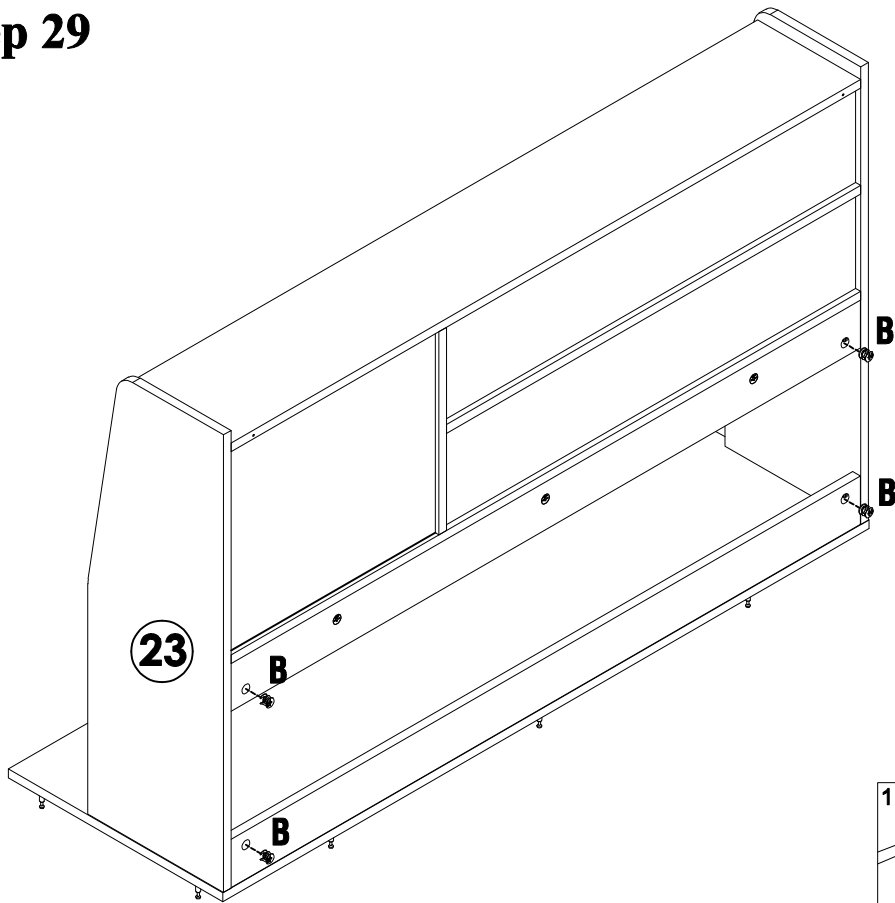
Step 28

YOU WILL NEED

D x8

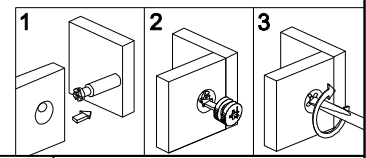


Step 29

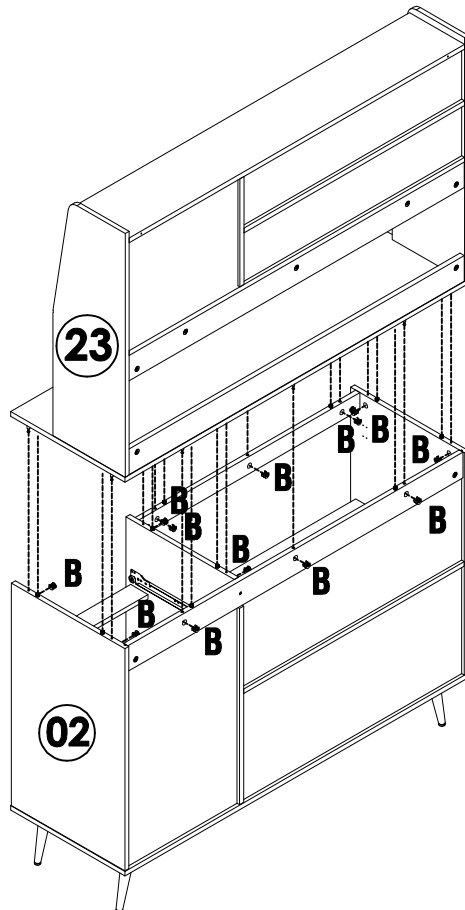


YOU WILL NEED

B	x4		
----------	----	--	--



Step 30



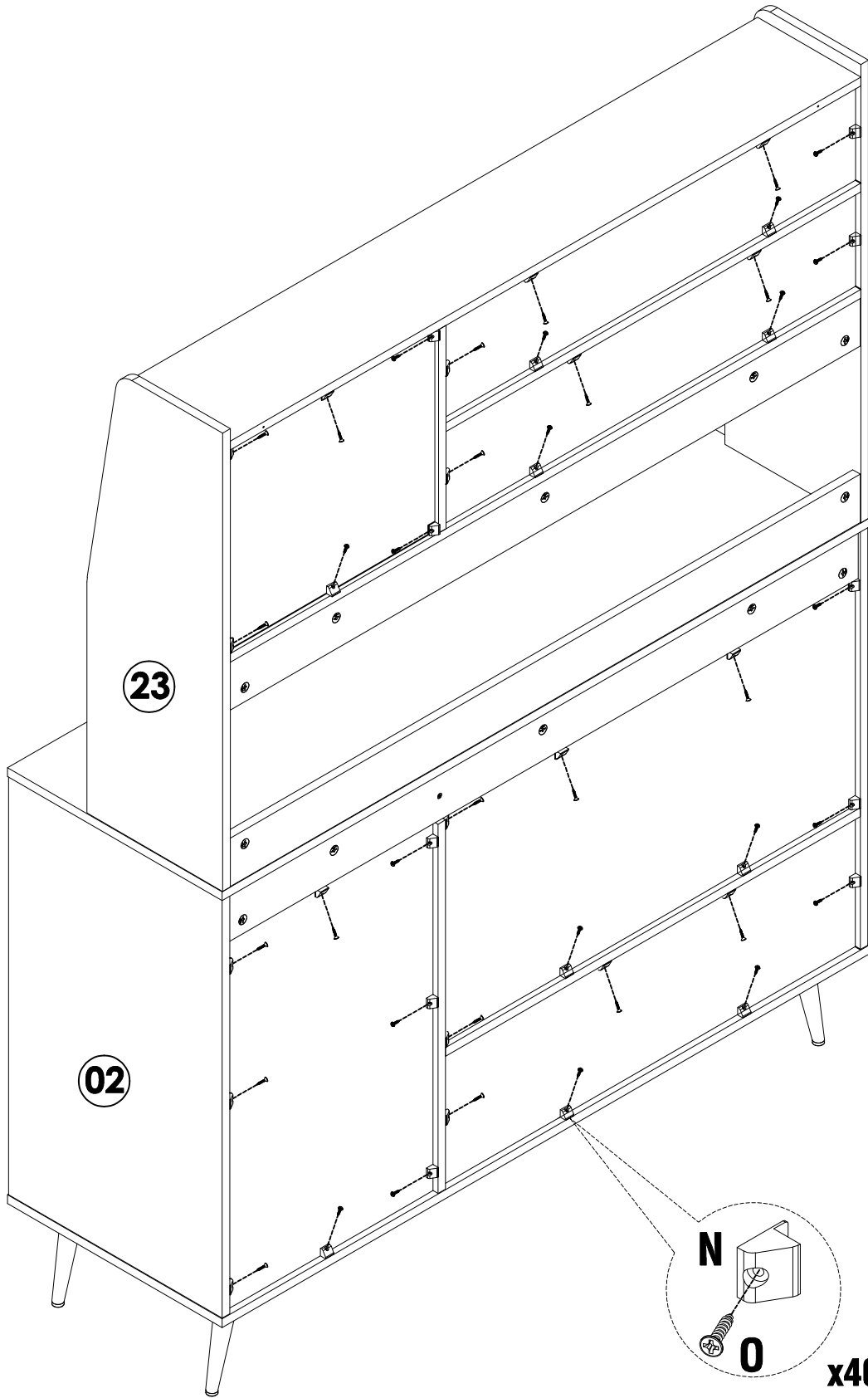
YOU WILL NEED

B	x12		
----------	-----	--	--

Step 31

YOU WILL NEED

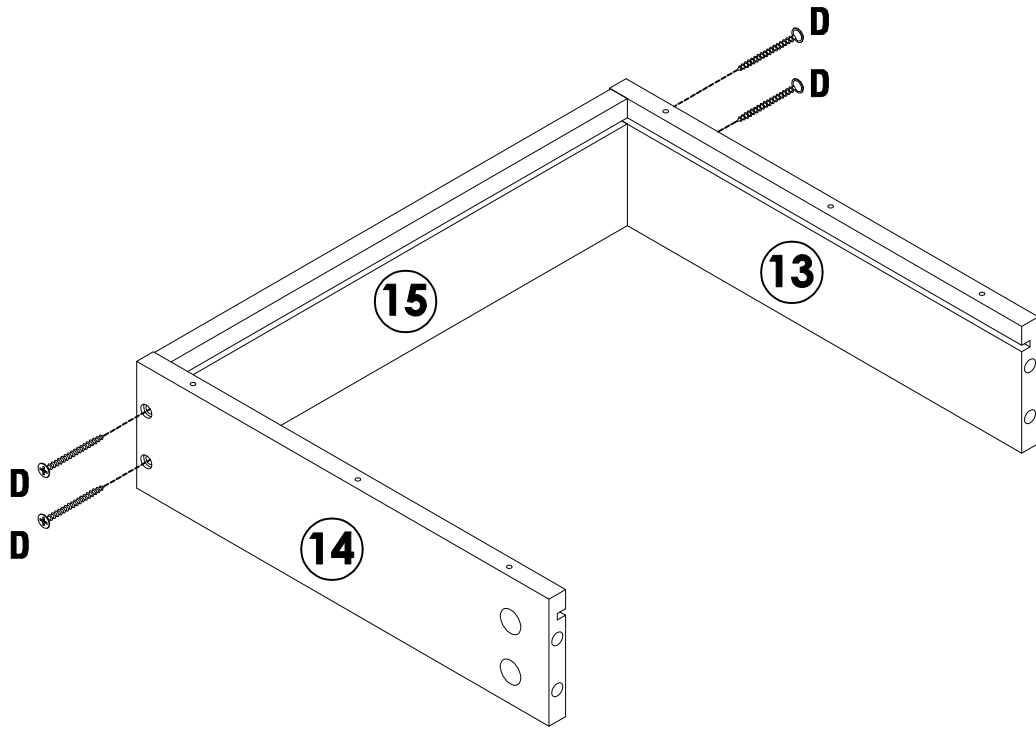
N x44 O x44



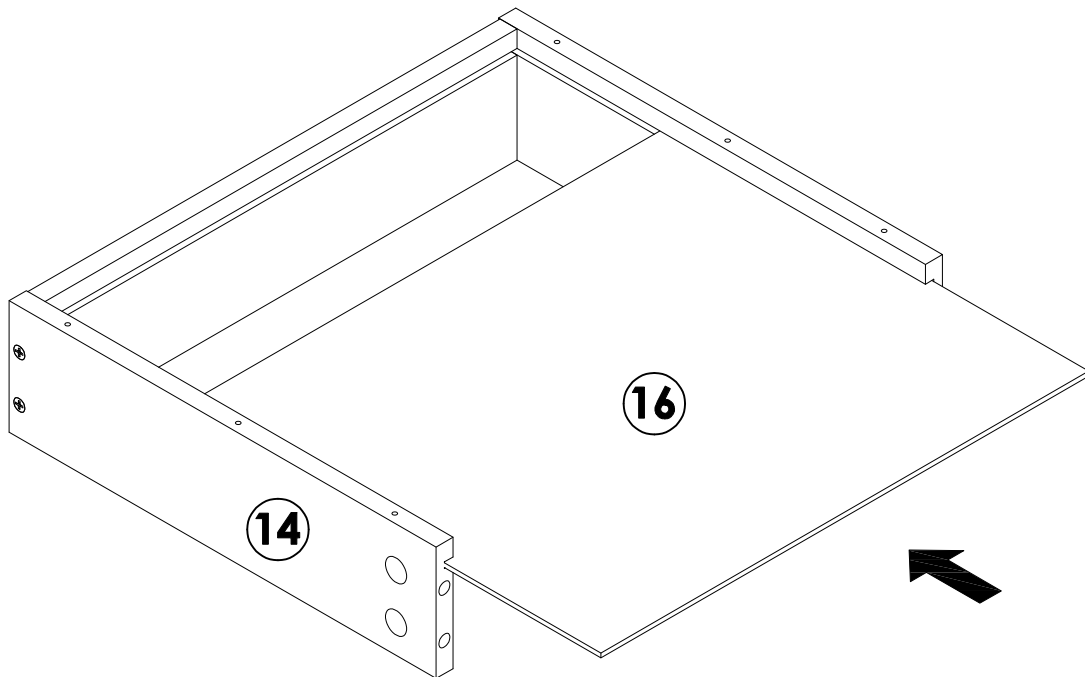
Step 32

YOU WILL NEED

D x4



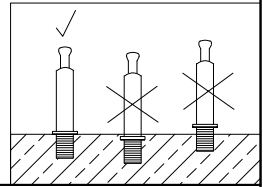
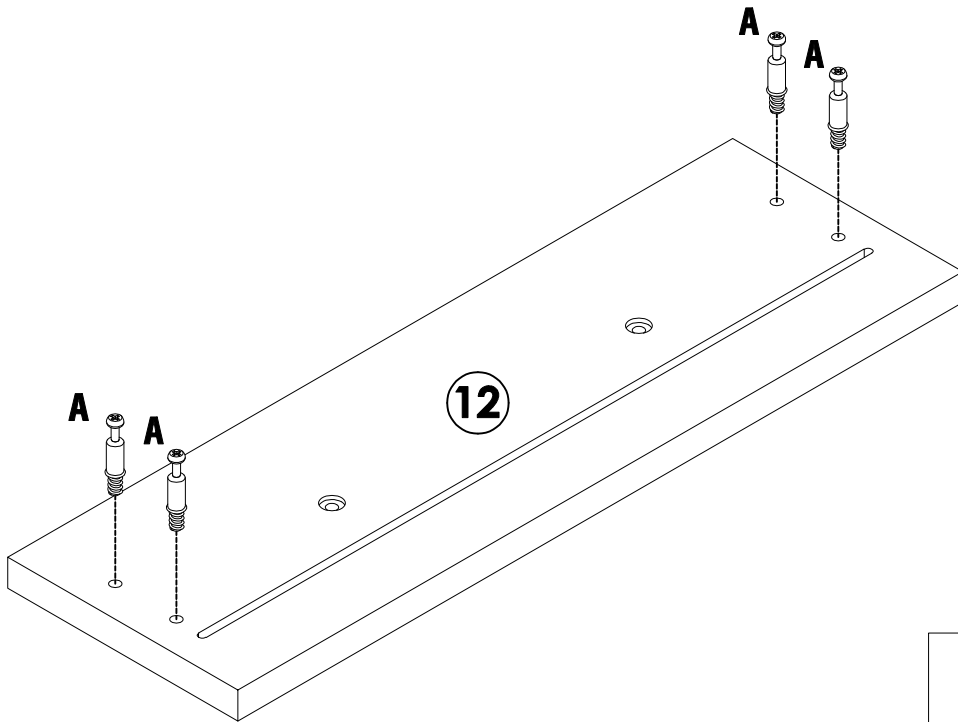
Step 33



Step 34

YOU WILL NEED

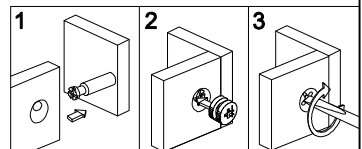
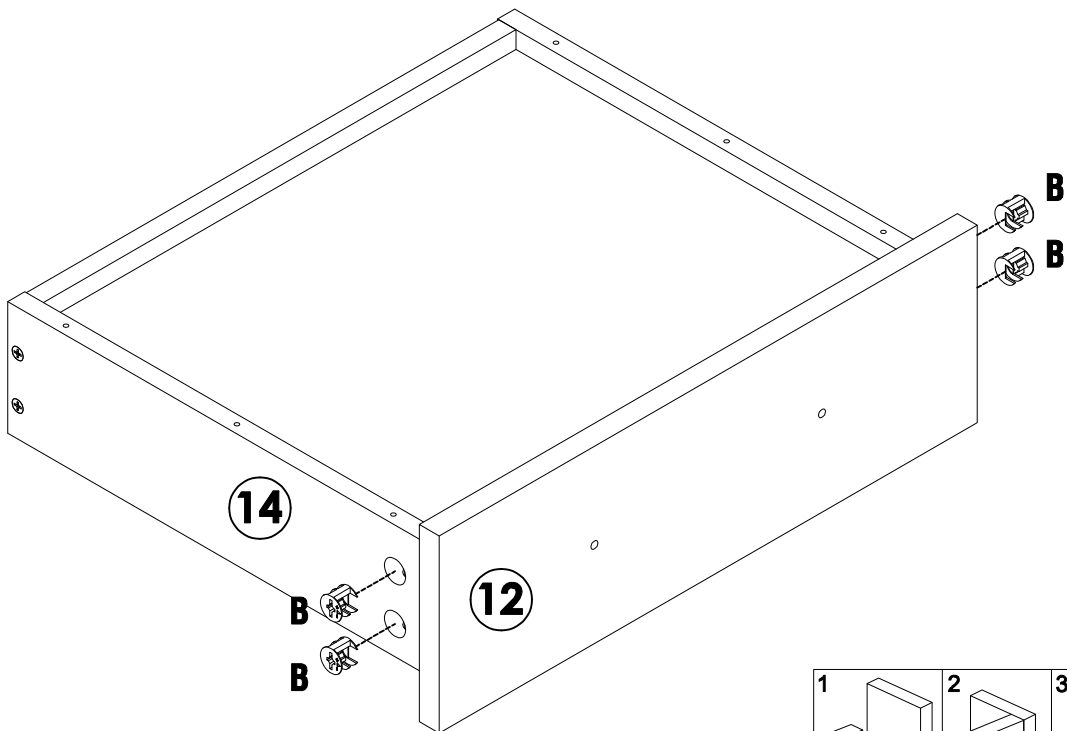
A x4



Step 35

YOU WILL NEED

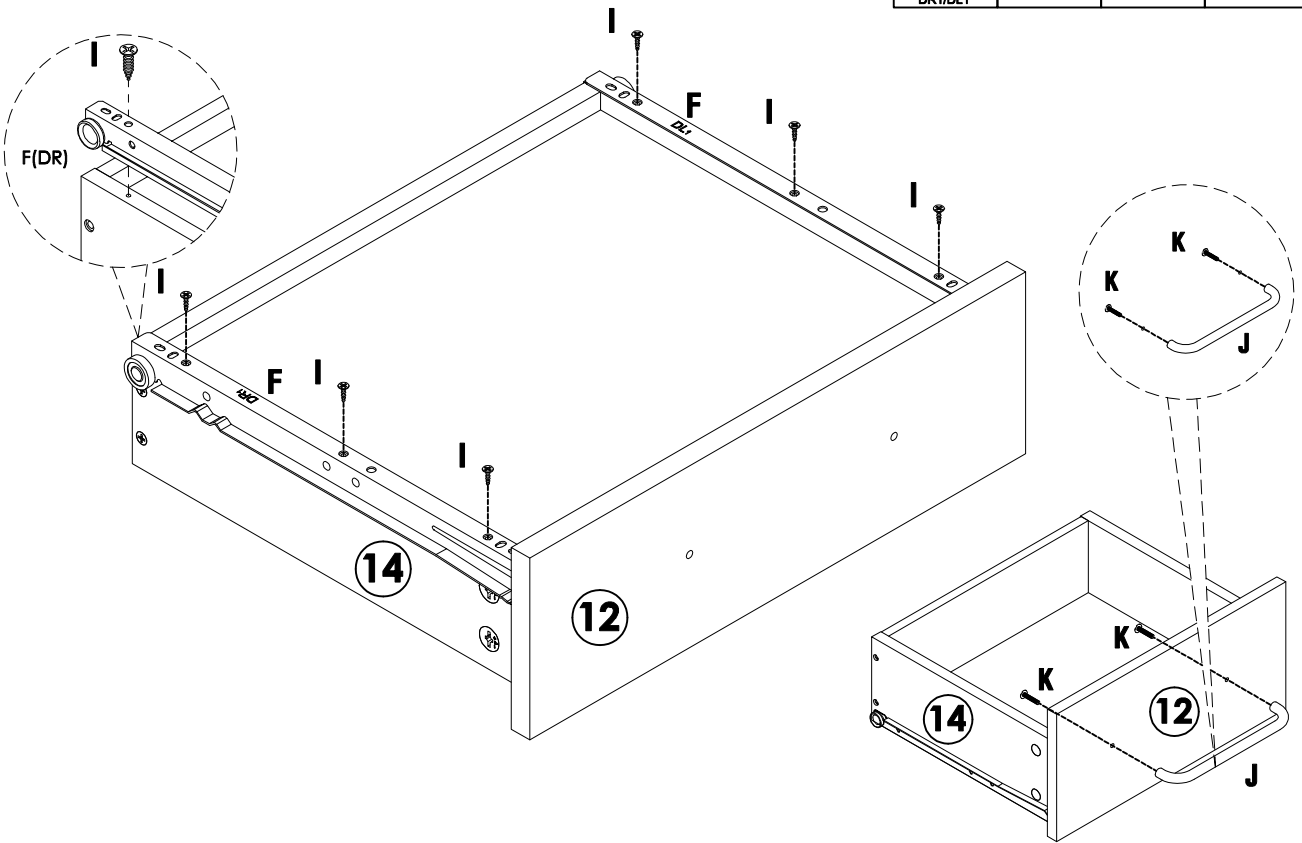
B x4



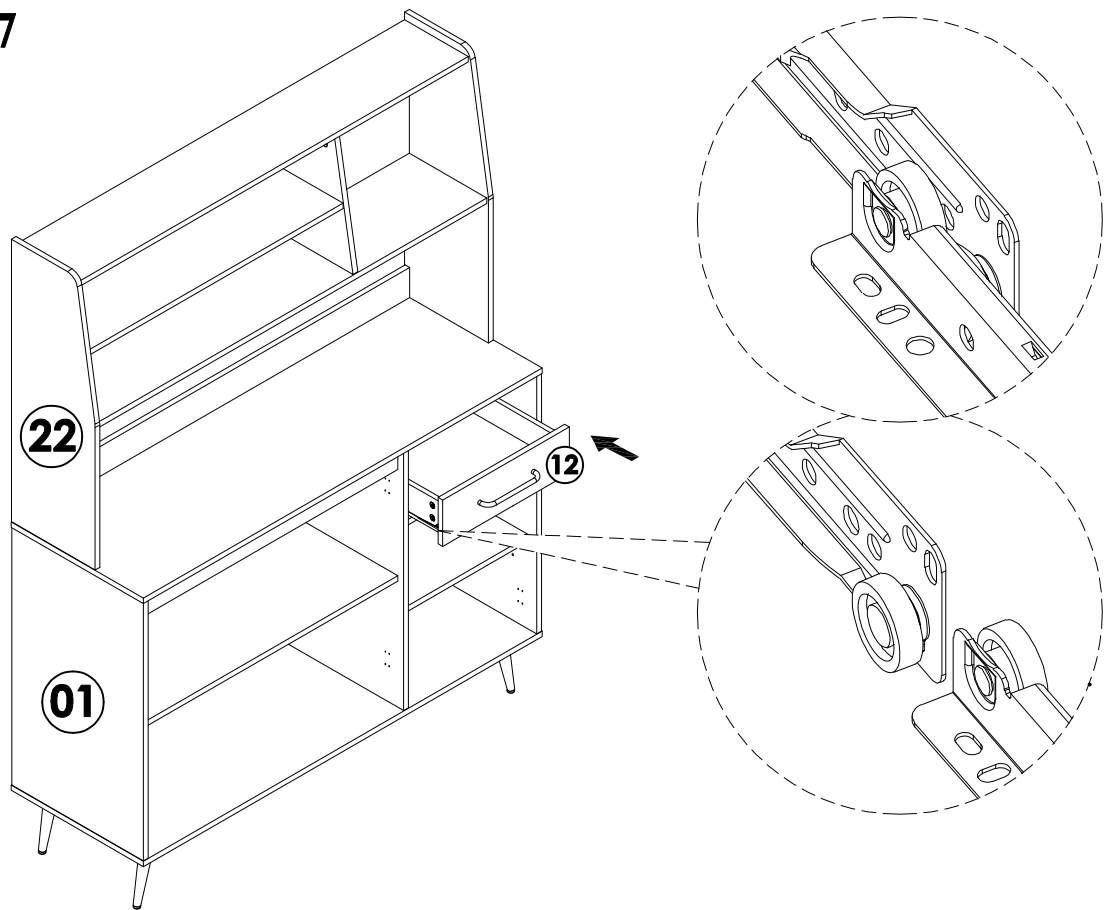
Step 36

YOU WILL NEED

F DR1/DL1	x1	I	x6	J	x1	K	x2
---------------------	----	----------	----	----------	----	----------	----



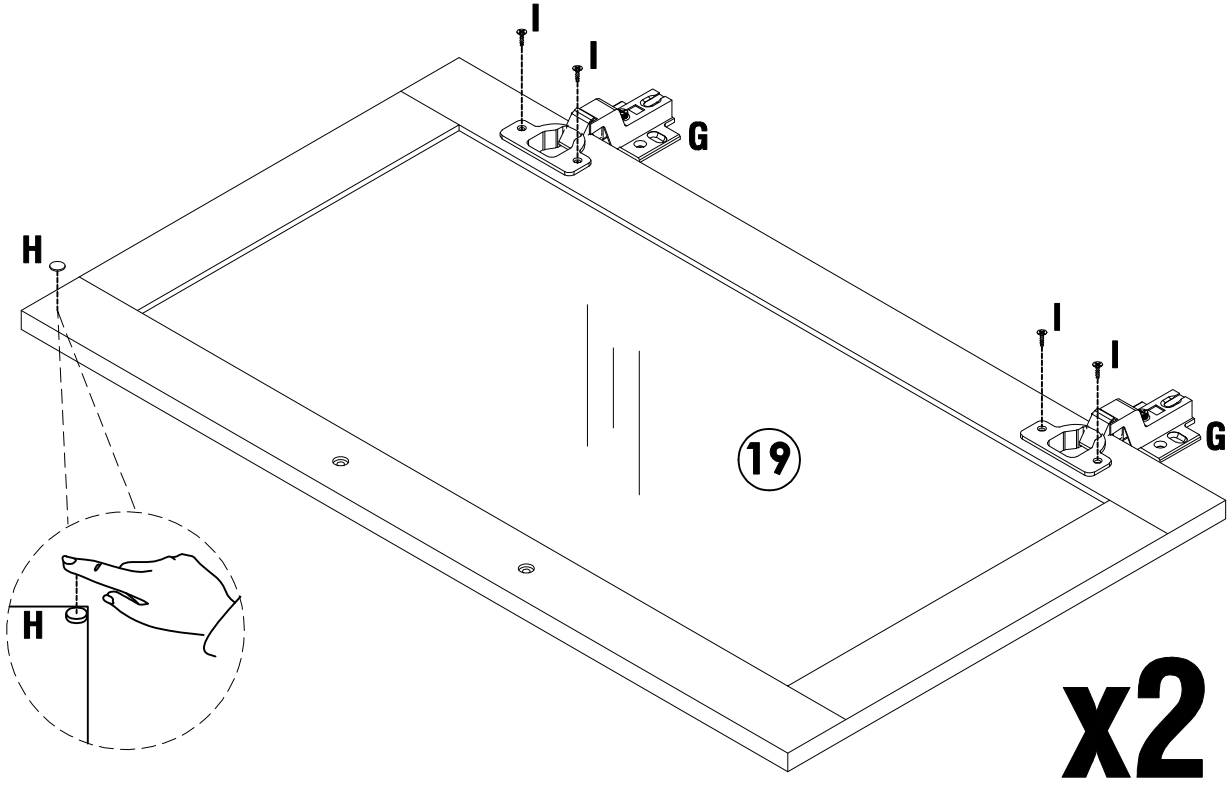
Step 37



Step 38

YOU WILL NEED

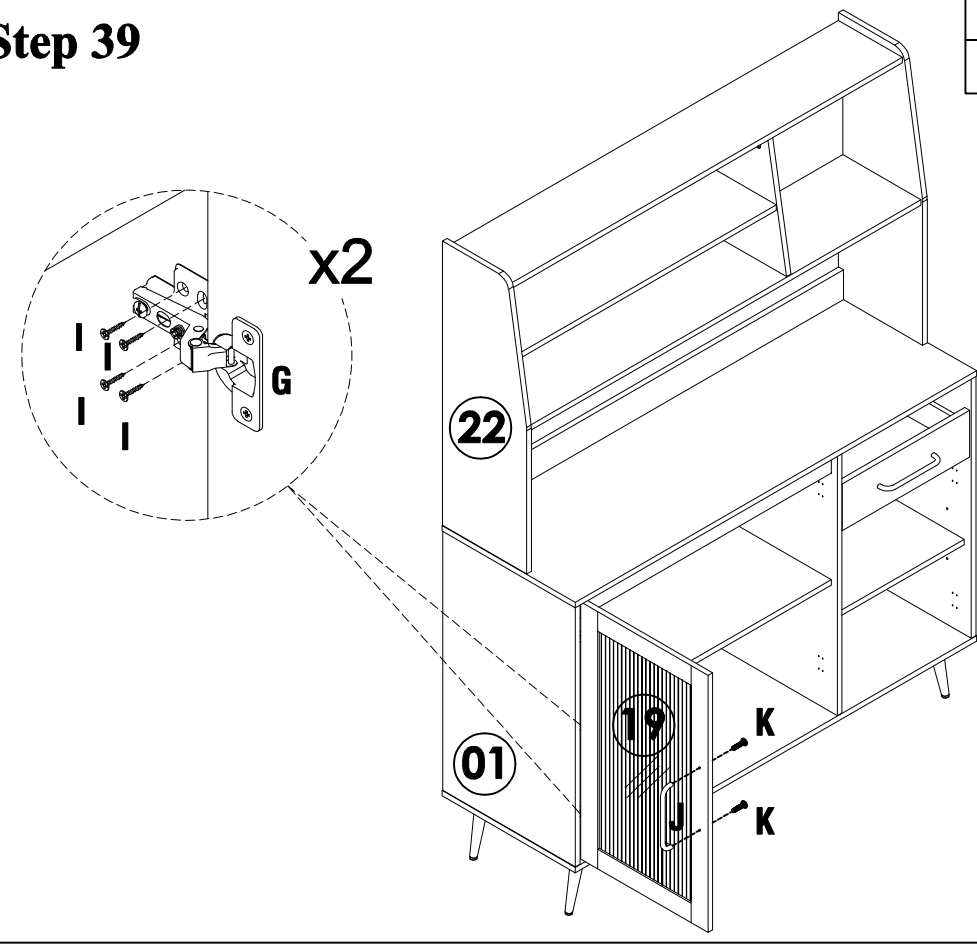
G	x4	H	x2	I	x8
---	----	---	----	---	----



Step 39

YOU WILL NEED

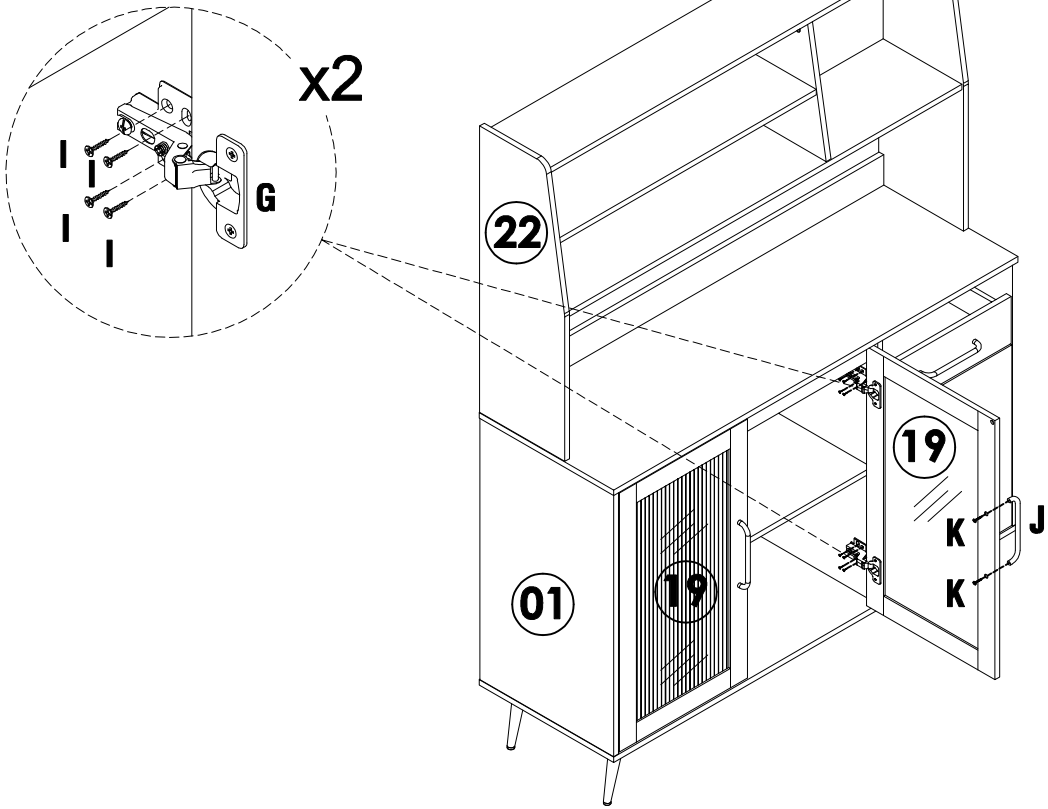
I	x8	J	x1	K	x2
---	----	---	----	---	----



Step 40

YOU WILL NEED

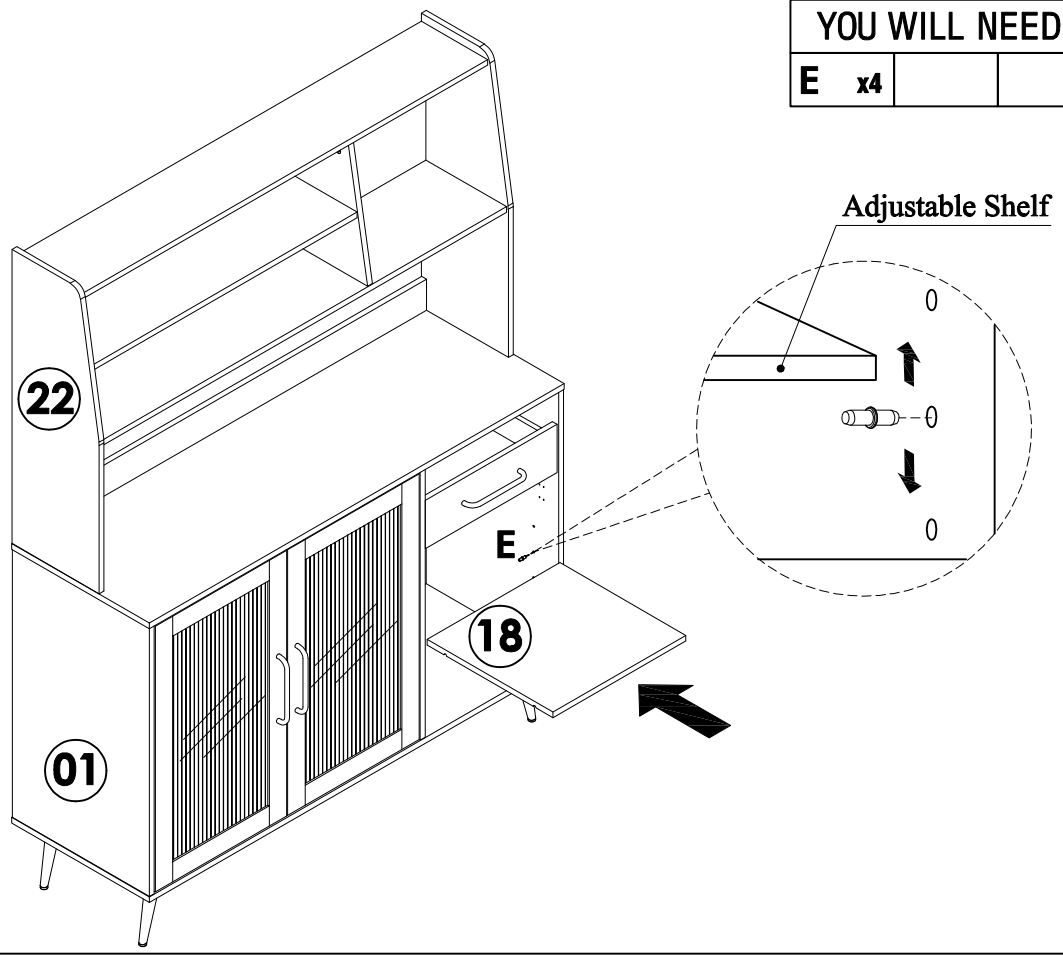
I	x8	J	x1	K	x2
---	----	---	----	---	----



Step 41

YOU WILL NEED

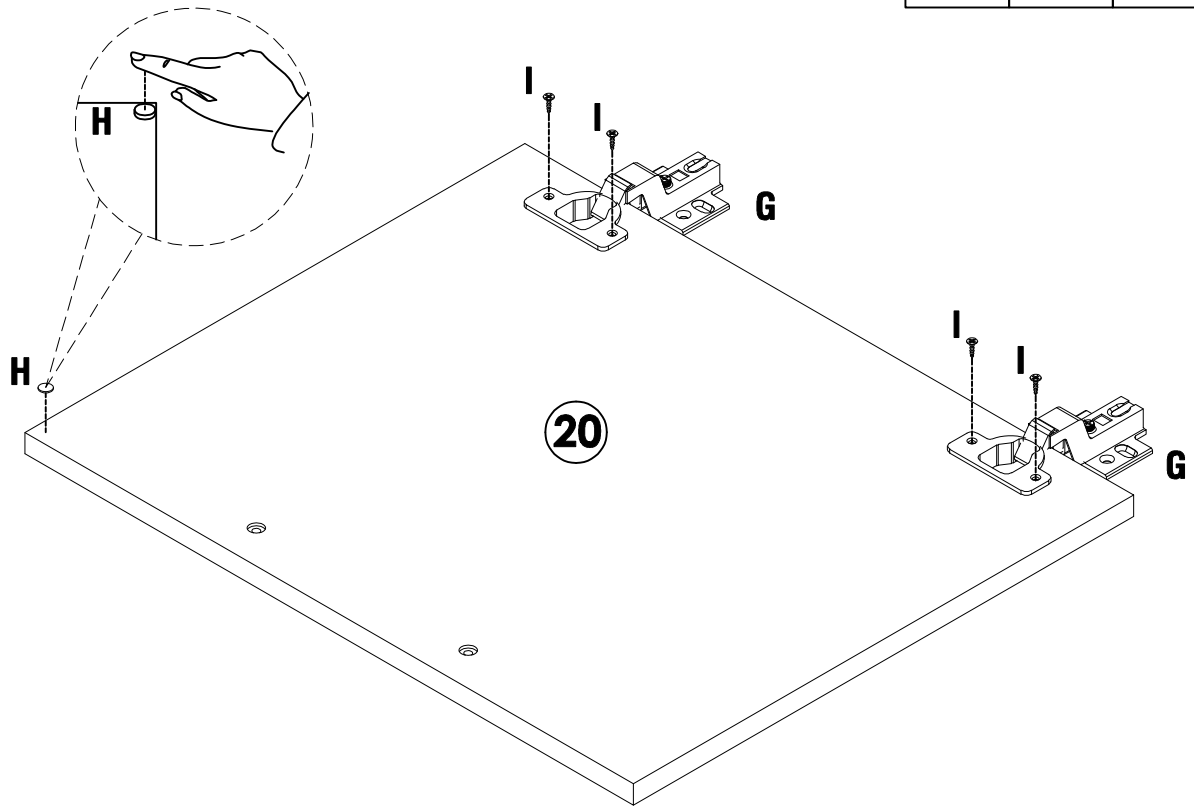
E	x4		
---	----	--	--



Step 42

YOU WILL NEED

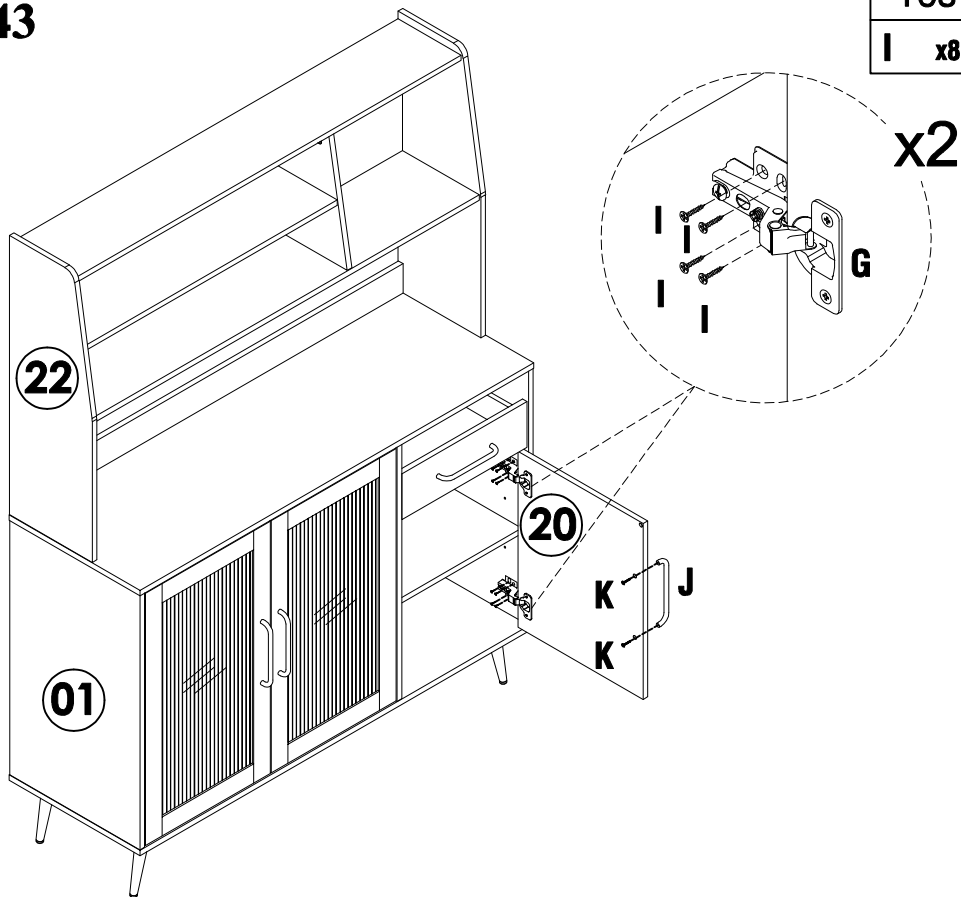
G	x2	H	x1	I	x4
---	----	---	----	---	----



Step 43

YOU WILL NEED

I	x8	J	x1	K	x2
---	----	---	----	---	----

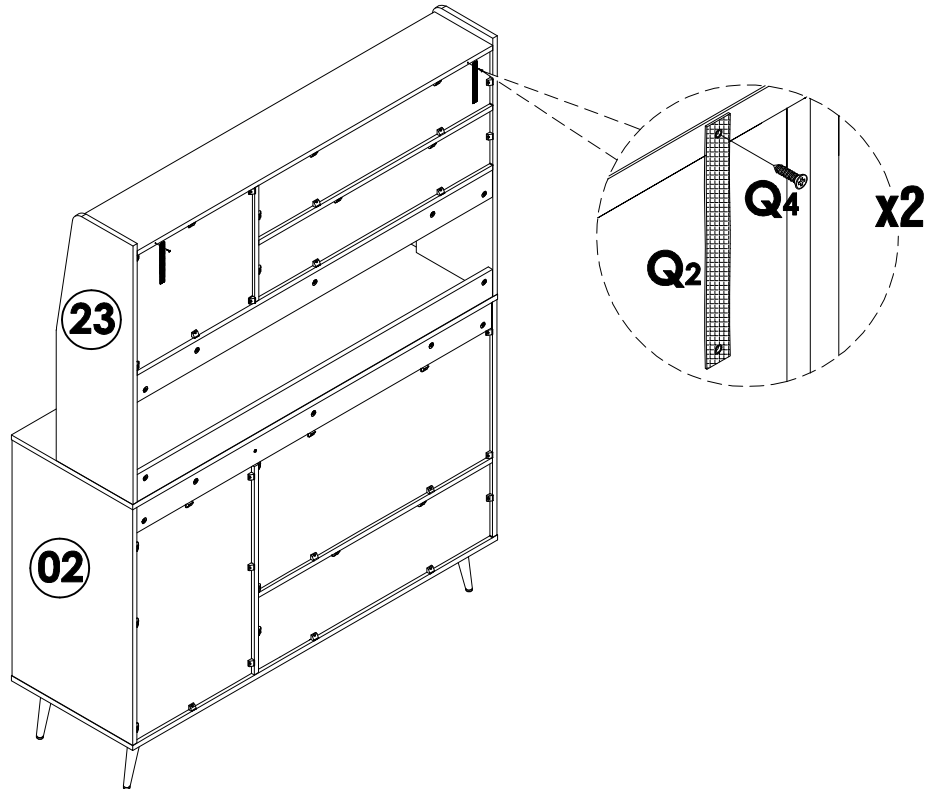


Step 44

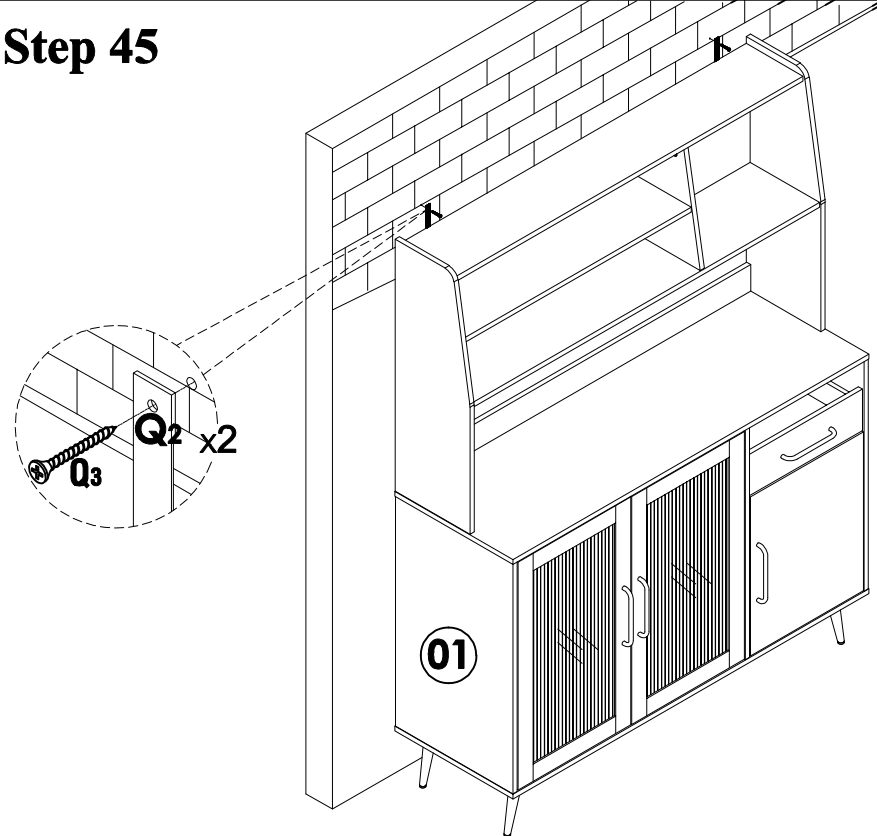
Use screw (Q4) to fix the strap (Q2) on the back edge of the top panel

YOU WILL NEED

Q2	x2	Q4	x2
----	----	----	----



Step 45

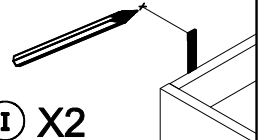


YOU WILL NEED

Q0	x2	Q1	x2	Q3	x2
----	----	----	----	----	----

WALL

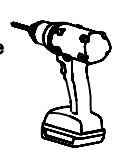
Mark the hole drilling location



I X2

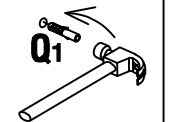
WALL

Drilling hole



II X2

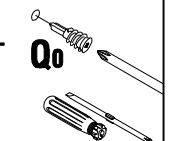
WALL



Use a hammer to close tacke (Q1)

III X2

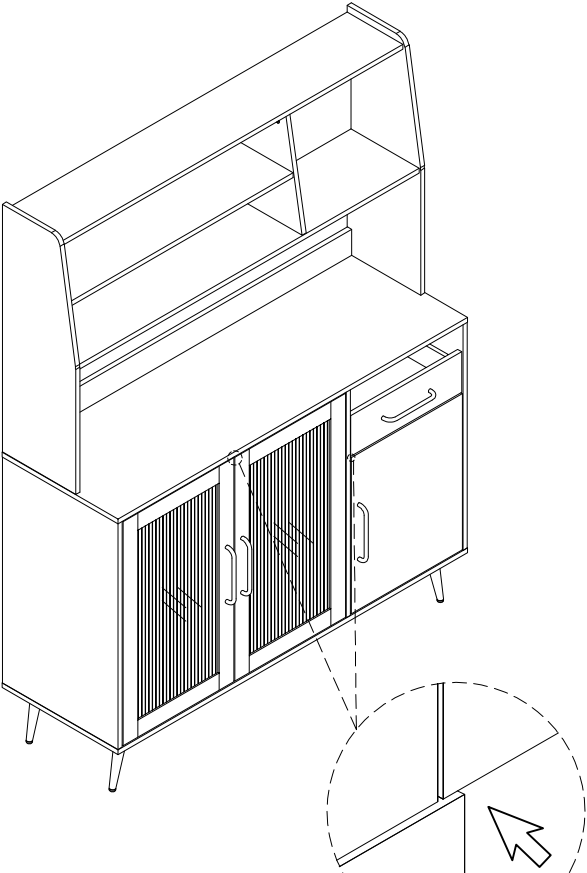
SPECIAL WALL



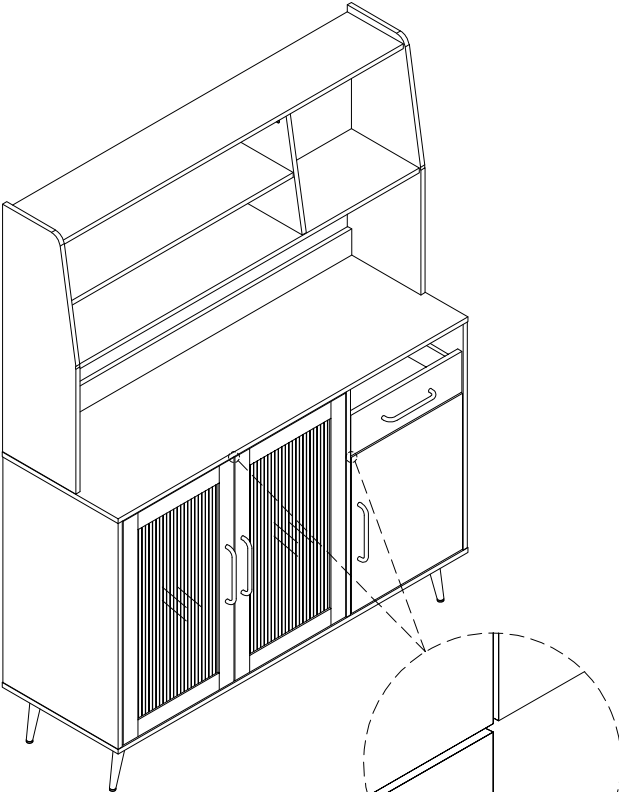
Use a screwdriver to screw tacke (Q0) to the wall

Step1: Determine the location of the anti-overturning on the wall and then mark the position after confirming the product has been balanced.
 Step 2: Drill the hole and then fixed the Tacke (Q1) on the wall or Tacke (Q0) for special wall.
 Step 3: Use screw (Q3) to fix the strap (Q2) on the wall

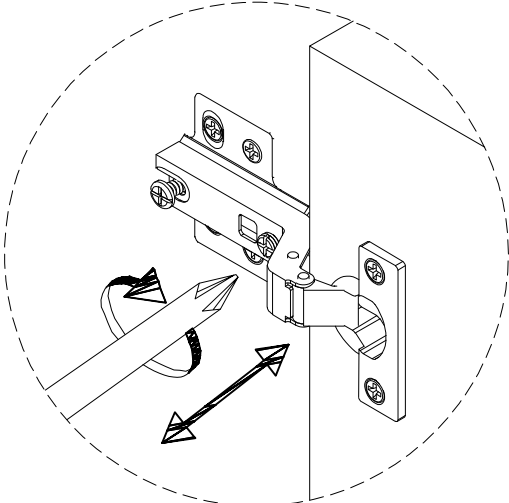
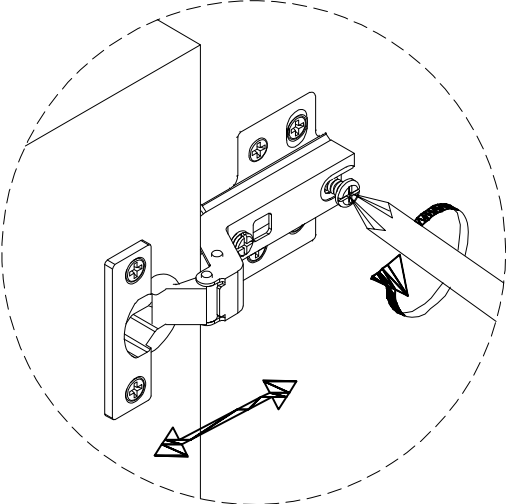
Step 46



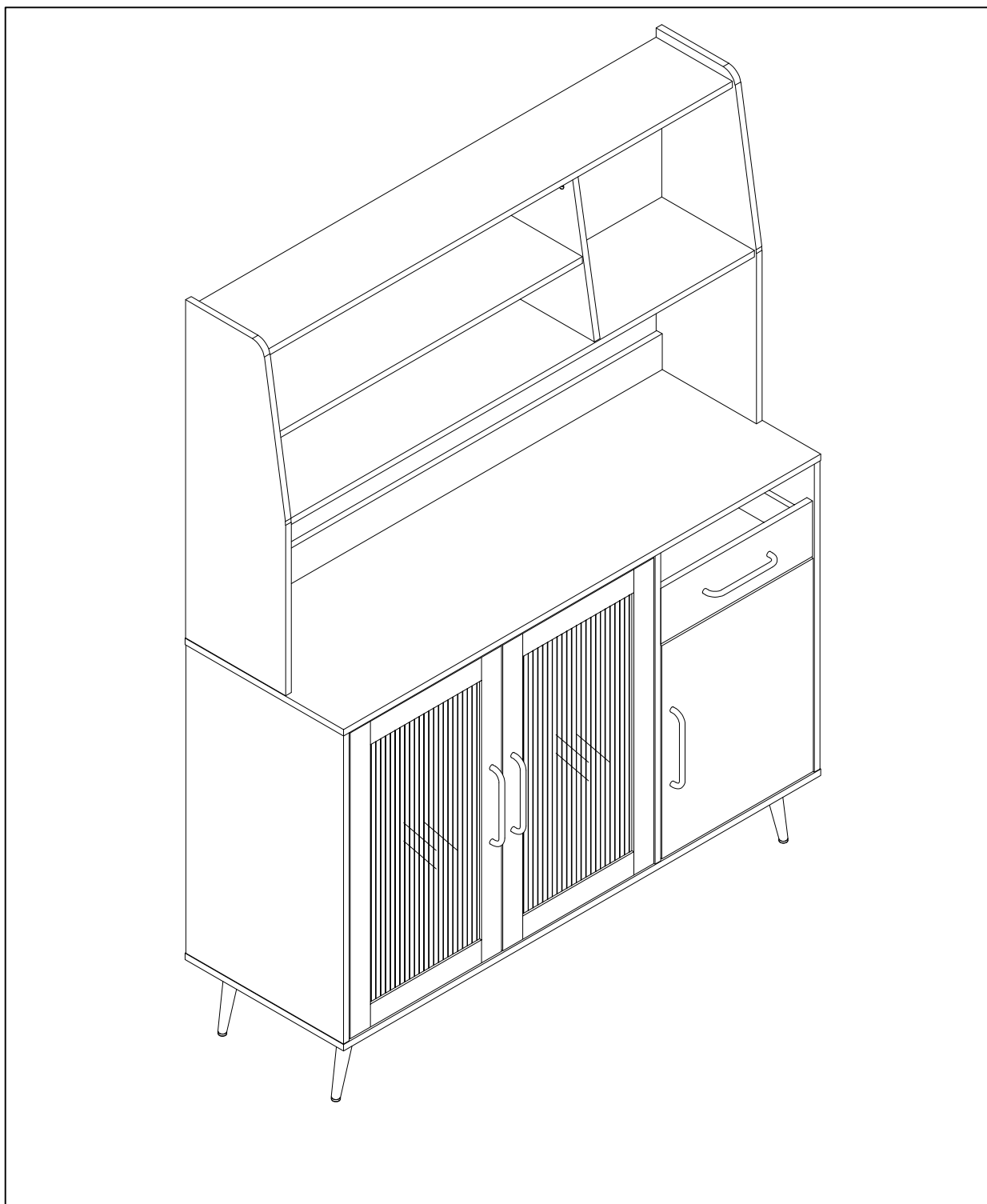
Before adjustment



After adjustment



Step 47



GUARANTEE

Buffet Cabinet offers a **90-days** warranty that begins on the date of the original purchase and applies to problems caused by the manufacturer. For questions, assistance, or support, please contact the Customer Service by e-mail with your order number and details. We will send you further information about the solution.