

ASSEMBLY INSTRUCTIONS



MIRROR WITH SHELF

ASSEMBLY INSTRUCTIONS

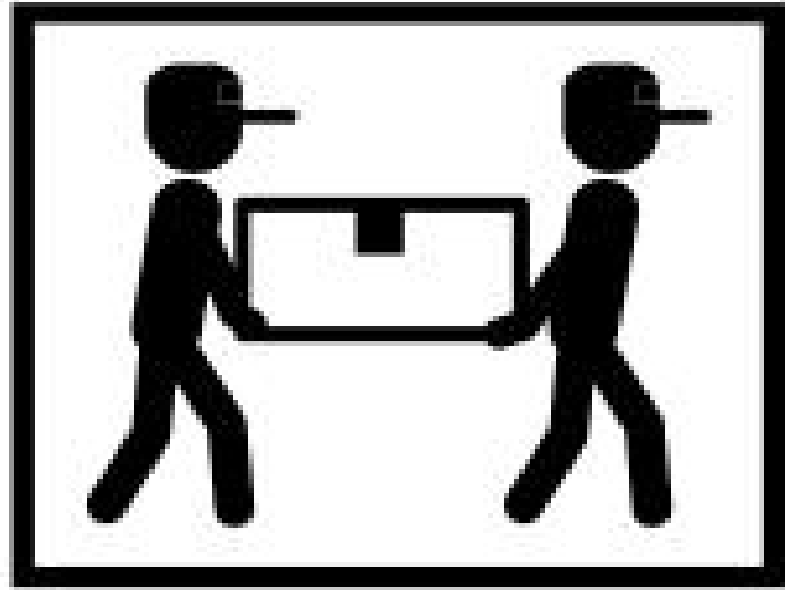
ASSEMBLY TIPS:

- 1.Remove hardware from box and sort by size.
- 2.Please check to see that all hardware and parts are present prior to start of assembly.
- 3.Please follow attached instruction in the same sequence as numbered to assure fast & easy assembly.



WARNING!

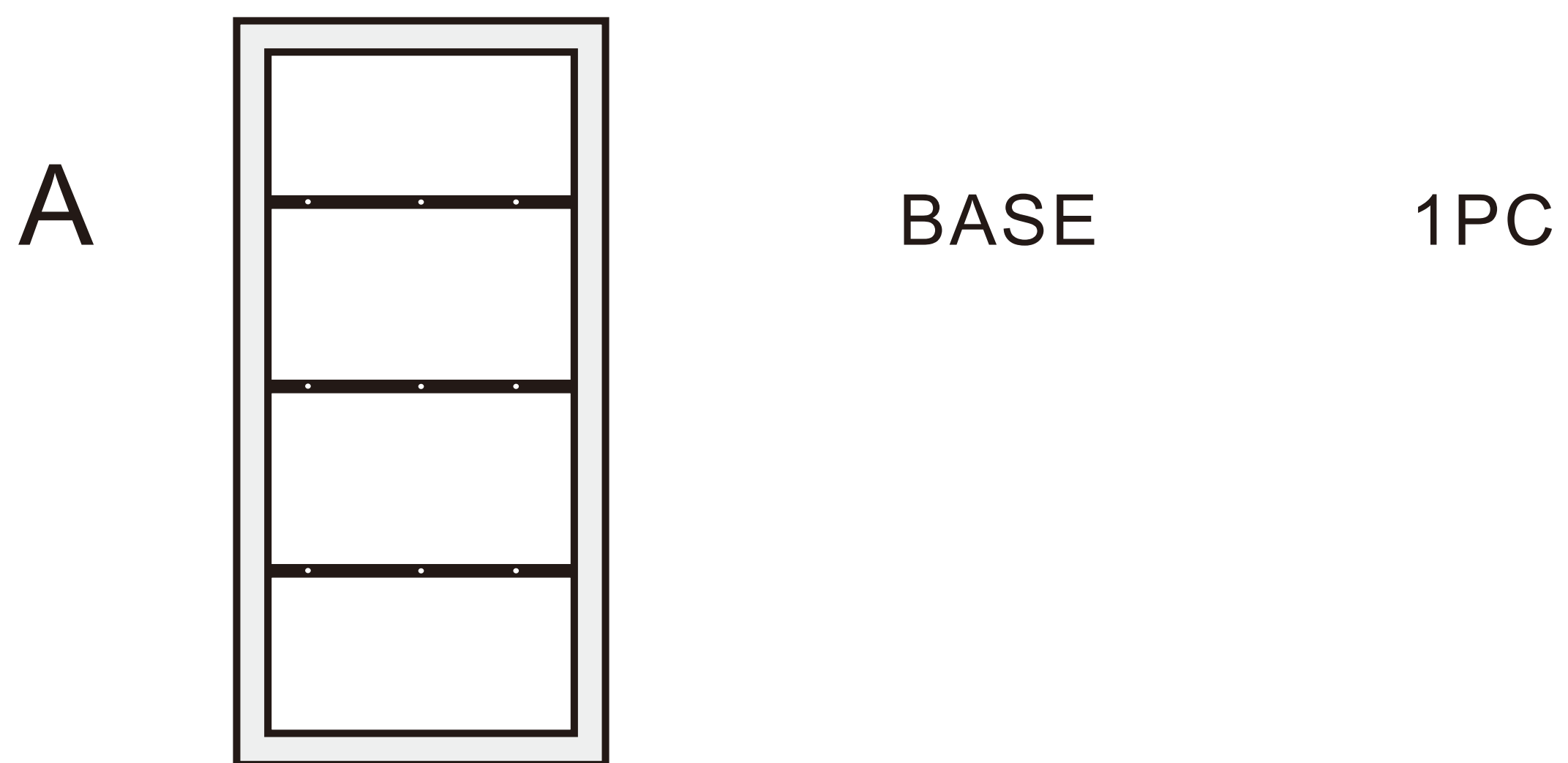
- 1.Don't attempt to repair or modify parts that are broken or defective. Please contact the store
- 2.This product is for home use only and not intended for commercial establishment.



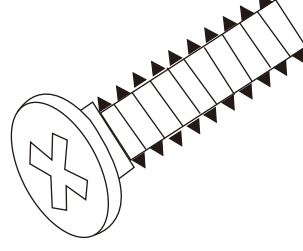
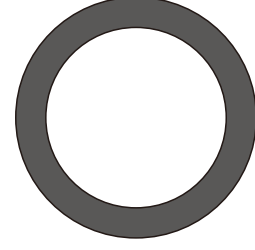
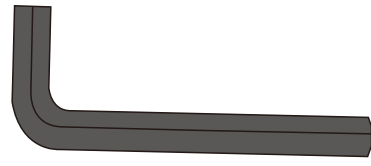
ASSEMBLY TIME

15 MINUTES

PARTS IDENTIFICATION:.

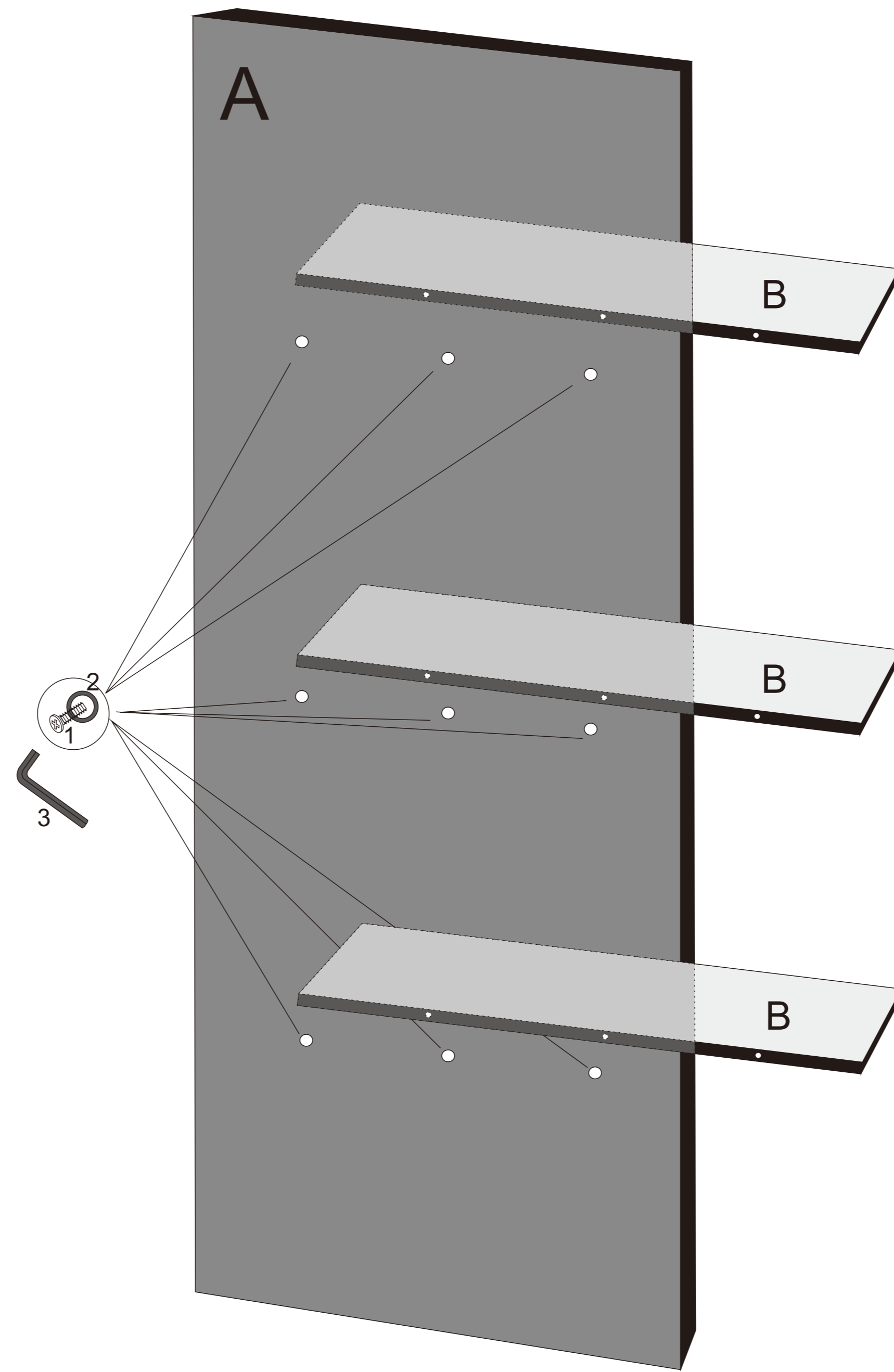


Z HARDWARE IDENTIFICATION

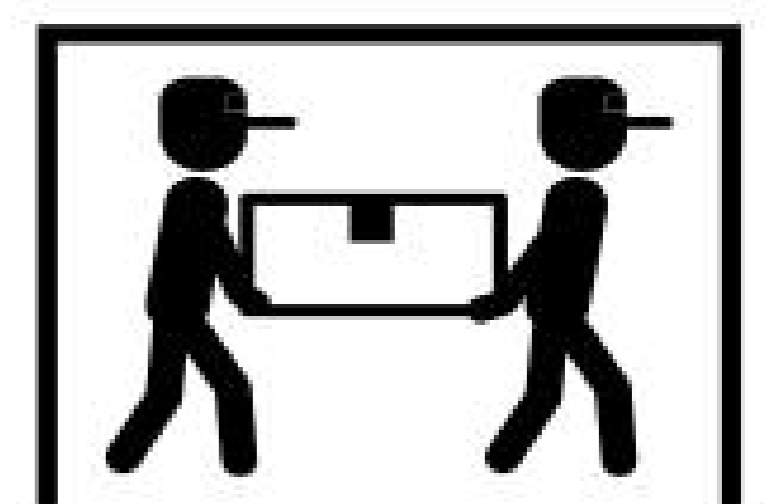
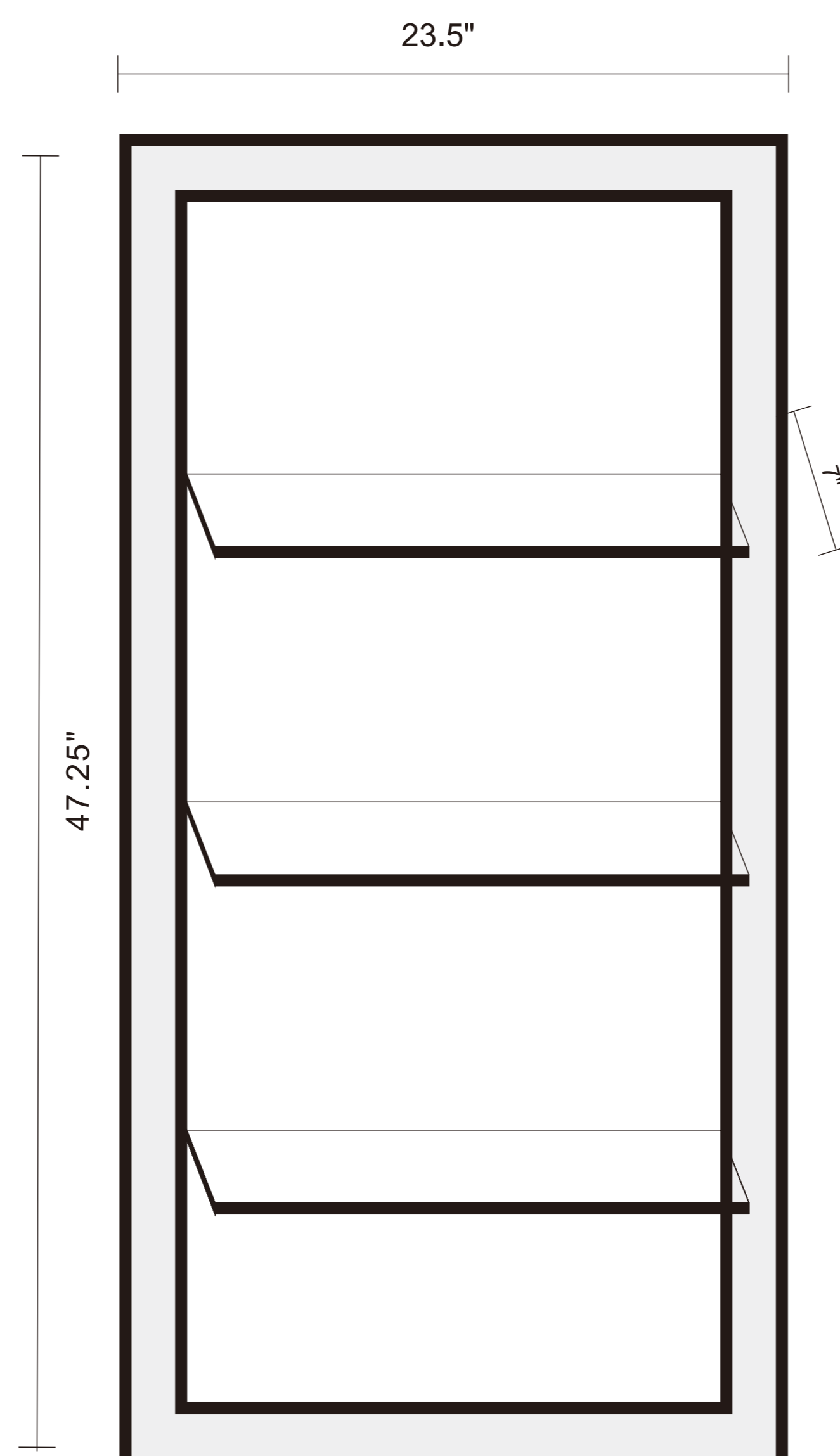
1		BOLT 12X275MM	9PCS
2		WASHER φ 180MM	9PCS
3		ALLEN KEY 20X60MM	1PC

ASSEMBLY INSTRUCTIONS

STEP 1



STEP 2



Note: Dimension tolerance $\pm 5\%$