

Instruction Sheet

Step 2

- Insert locking housings (G) into bottom of shelf (D) and posts (A & B). Make sure the arrow in the locking housing is pointing towards steel pins (F) in posts (A & B) and top board (E). (See Fig.3)
- Now Align holes in shelf (D) with steel pins in posts (A & B). Attach shelf to post and tighten by turning locking housing clockwise. (See Fig.3 & 4)
- Place board (C) between posts. Then insert steel pins in board (E) into posts (A & B) top holes.
- Secure top board by turning locking housings clockwise. Insert plastic grommet (J) on top of shelf (D) (See Fig. 5)

FIG.3

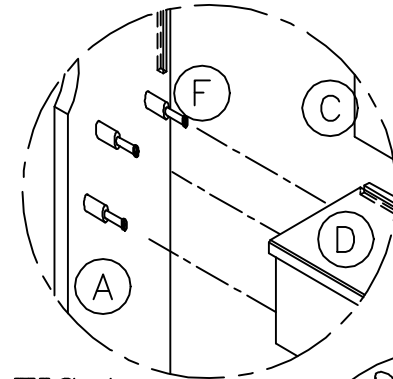
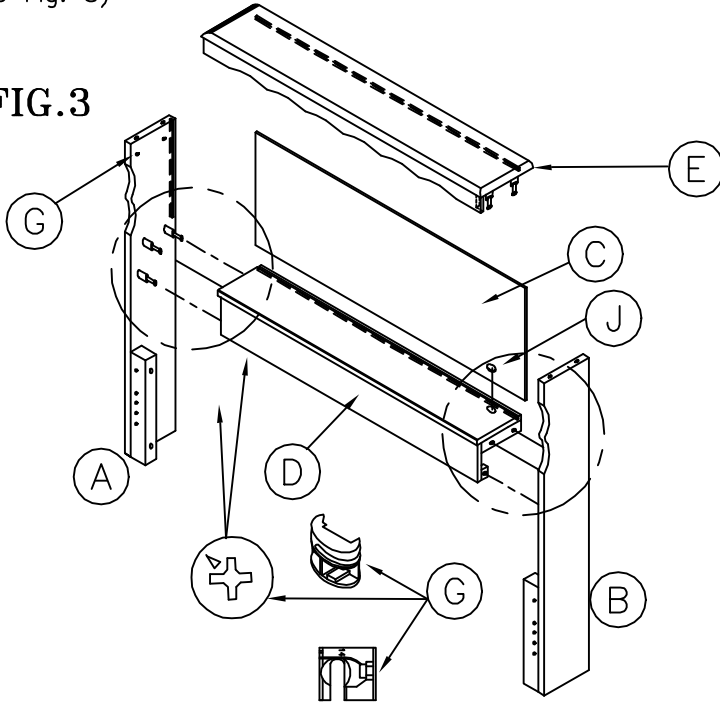


FIG.4

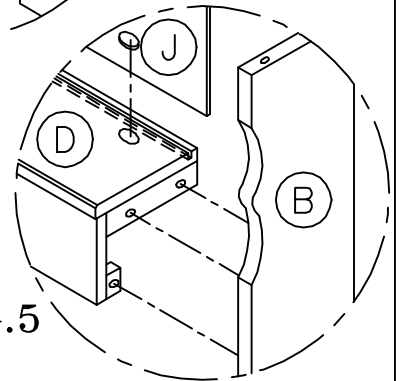


FIG.5

Step 3

- Insert screw (H) thru post (A).
- Align screws in headboard panel post to holes in frame bracket. Secure screw with nut (I). (See Fig. 6)
- REPEAT ON OTHER HEADBOARD POST
- TIGHTEN ALL SCREWS SECURELY.

FIG.6

