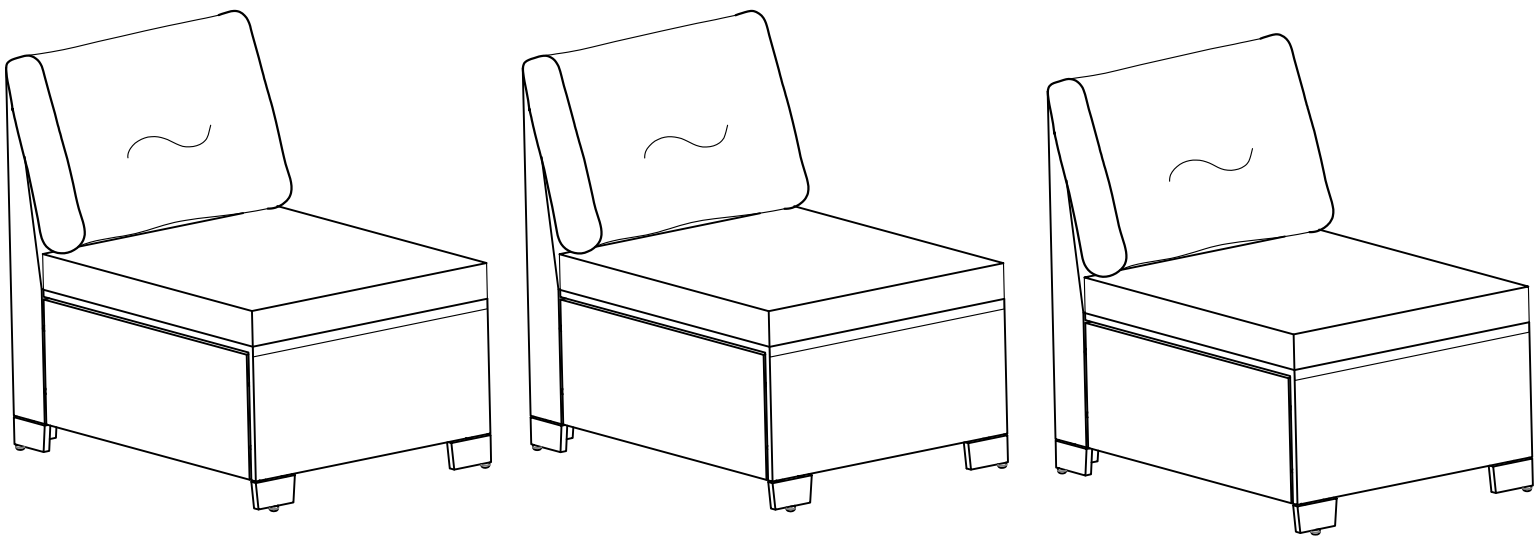


# SOOHOW

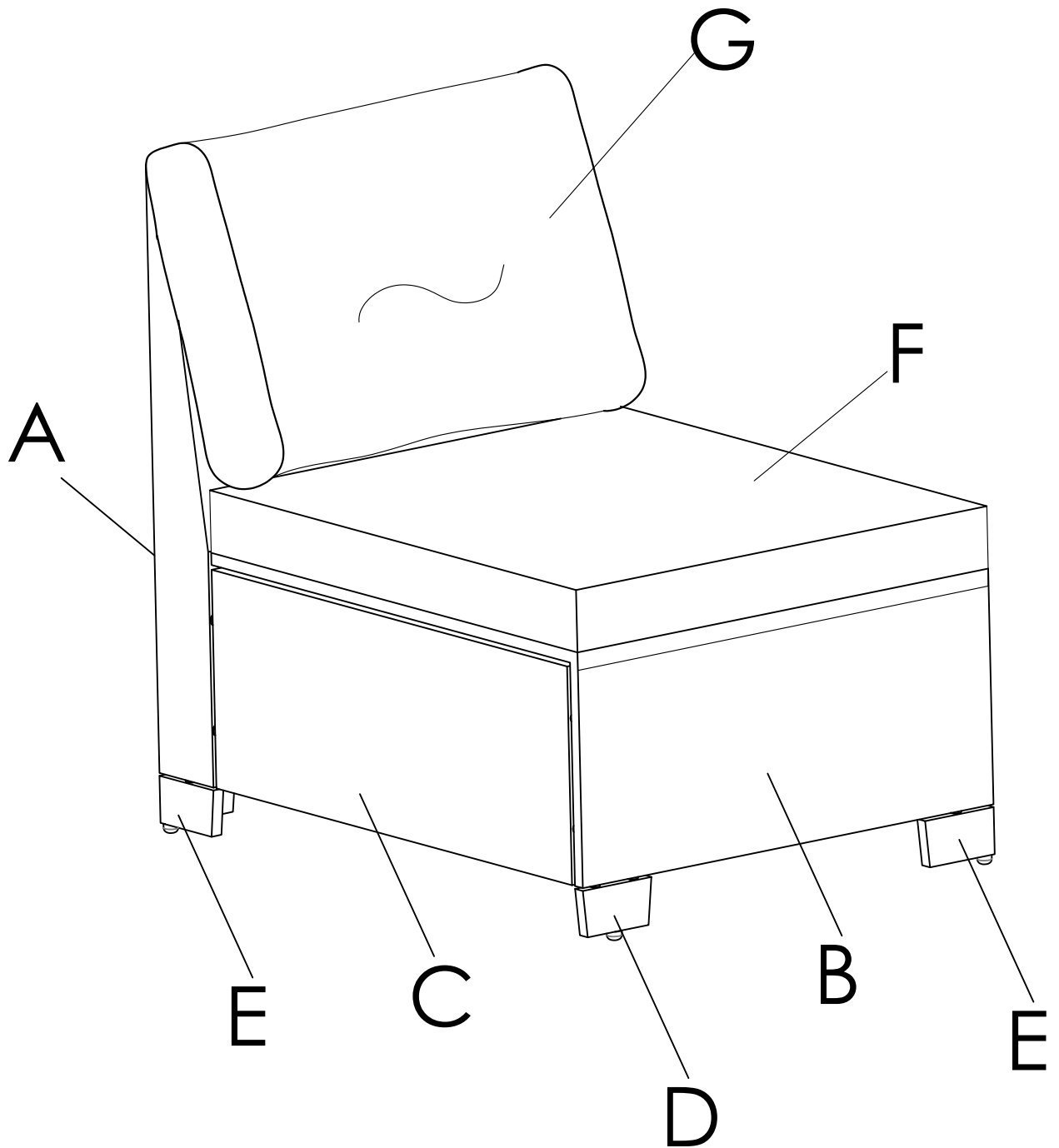
## Assembly Manual SOFA CS004



Please read this manual carefully before any operation and keep it properly for future use.

If any problems on our product, please feel free to contact us at [ecservice@isunon.com](mailto:ecservice@isunon.com).

# Exploded View



# Components List

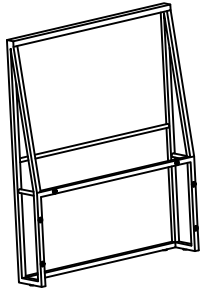
30min

Assemble Time



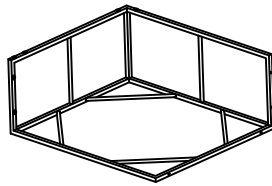
One People

A



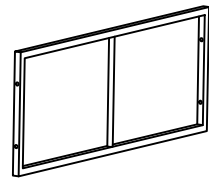
Back (X3)

B



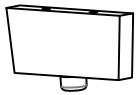
Seat (X3)

C



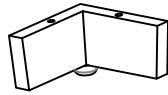
Connector (X3)

D



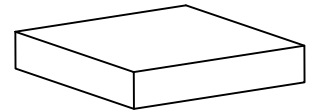
Plastic foot (X3)

E



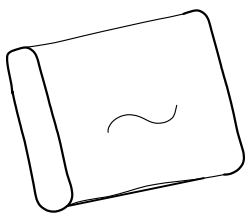
Plastic foot (X9)

F




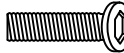

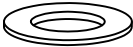

Seat Cushion (X3)

G



Back Cushion (X3)

# Components list

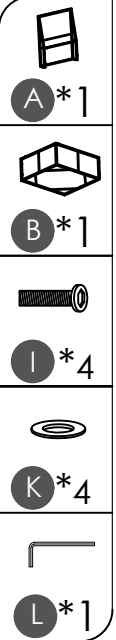
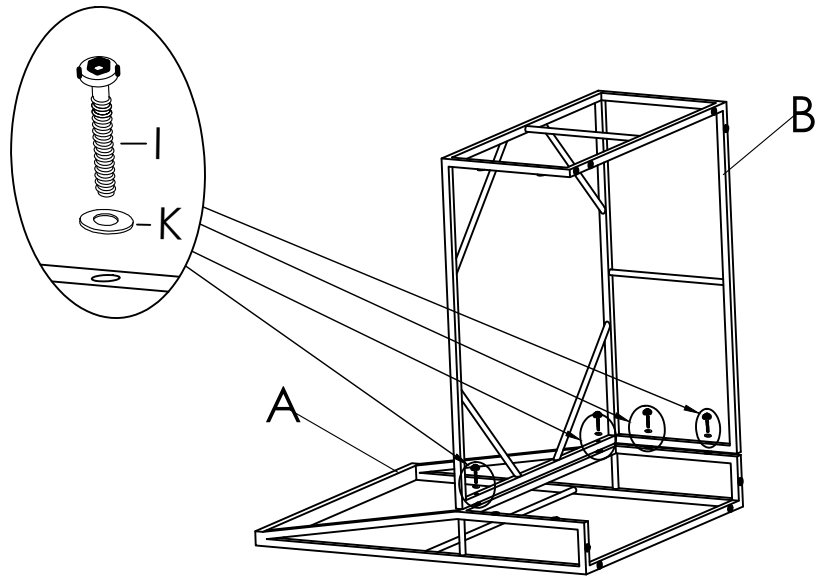
<b>H</b>			<b>I</b>			<b>J</b>		
								
Bolt	M6x30	6+1	Bolt	M6x35	18+2	Bolt	M6x45	24+2
<b>K</b>			<b>L</b>					
								
Washer	M6	24+2	Allen wrench	M6	1			

NOTE: The number after "+" sign indicates the extra piece(s).

# Assembly Instruction

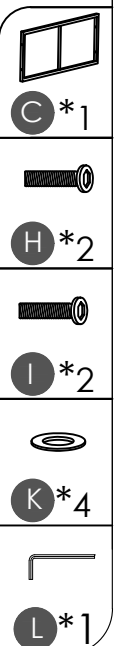
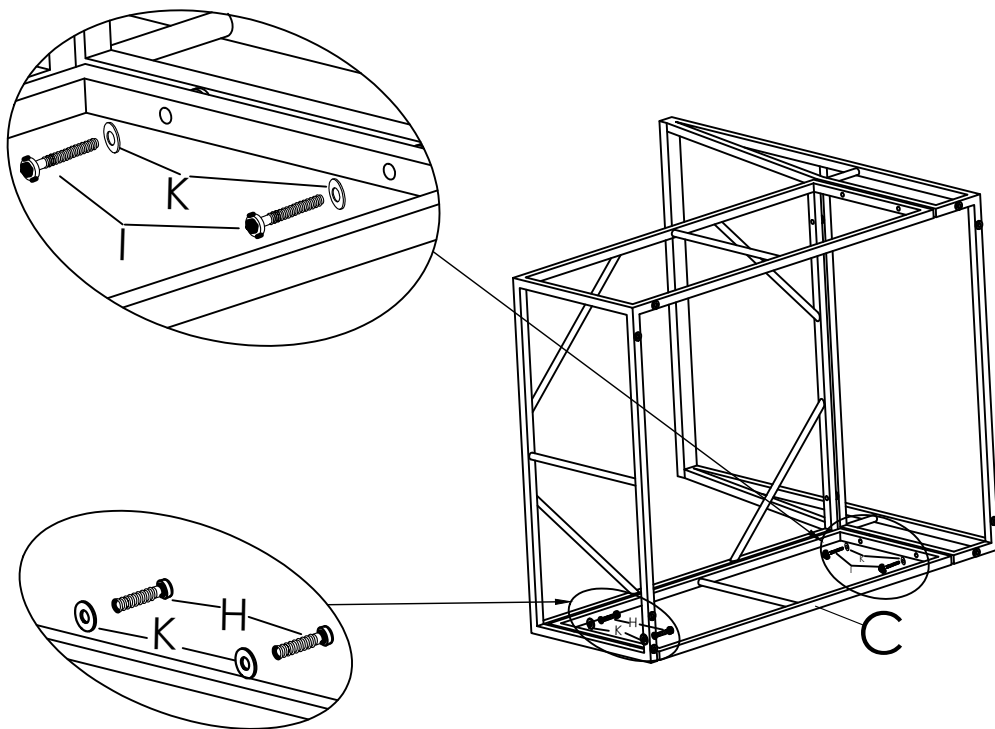
## STEP 1

Align Sofa back(A) and seat(B) together using washers(K), bolts(I) and Allen wrench(L).  
Hand-tighten all screws to about 80% first. After all screws are in place, tighten them fully in sequence



## STEP 2

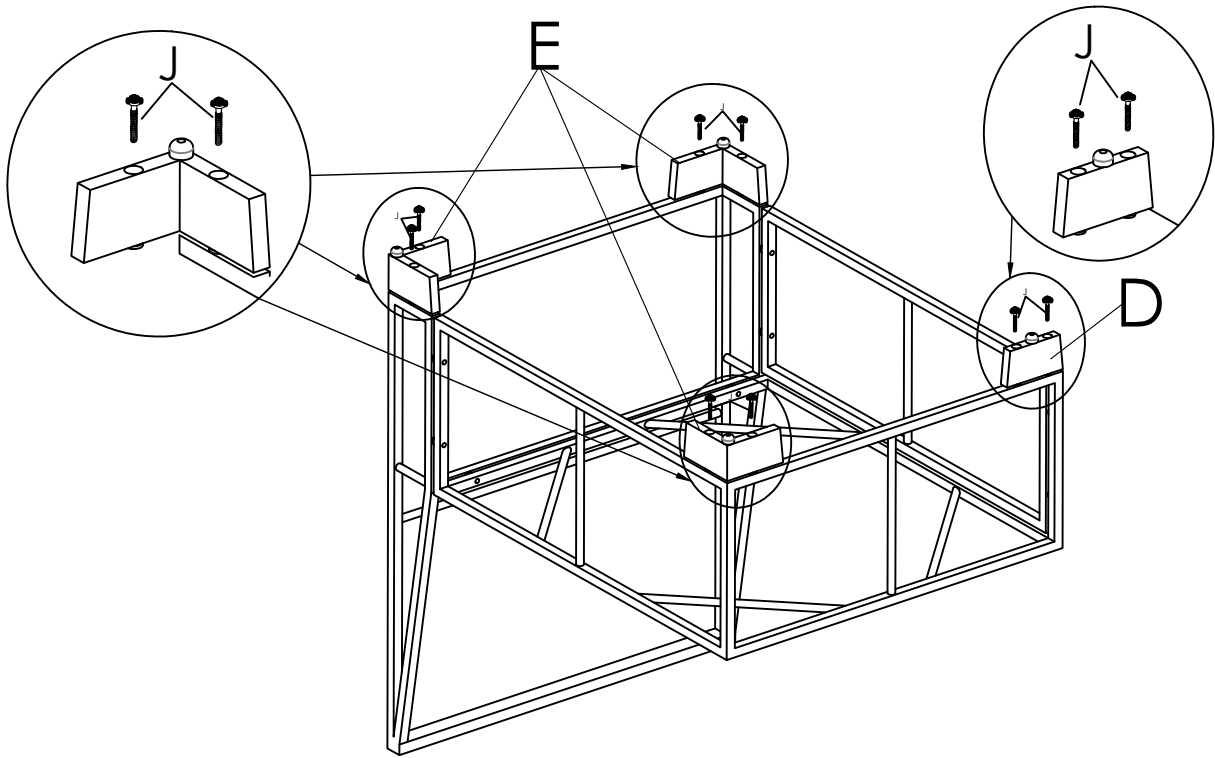
Attach Connector (C) to the Seat using washers(K), bolts(I),(H) and Allen wrench(L).  
Hand-tighten all screws to about 80% first. After all screws are in place, tighten them fully in sequence



# Assembly Instruction

## STEP 3

Attach Plastic foot(E)and Plastic foot(D) to the Seat using washers(K).bolts(J)and Allen wrench(L).



## STEP 4

Flip the Sofa over and put seat cushion(F)and back cushion(G)on the Sofa.The assembly is done.

