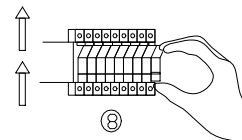
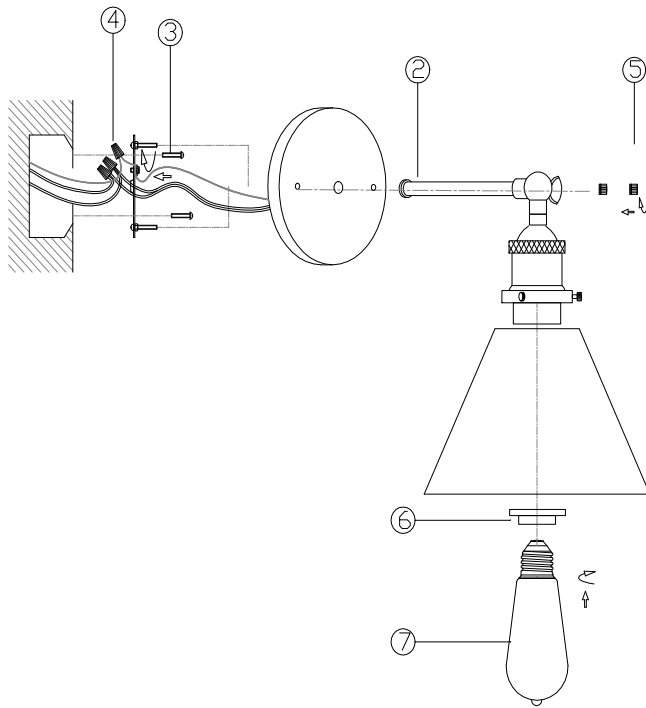
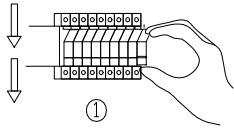


# Assembling Manual

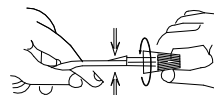


## Accessory List

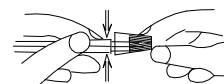
No.	Part Name	Parts	QTY
A	Light body		1
B	Spare parts kit		1bag

Connect Black or Red House Wire to:	Connect White House Wire to:
Black	White
Parallel cord-SPT I&II (round & smooth)	Parallel cord-SPT I&II (square & ridged)
Clear, Brown, Gold or Black (without tracer)	Clear, Brown, Gold or Black (without tracer)
Insulated Wire (other than GREEN) wire copper conductor	Insulated Wire (other than GREEN) wire silver conductor

White or Ribbed Fixture Wire



White Supply Wire Black or Smooth Fixture Wire



Black Supply Wire

110-120V 50HZ/60HZ

MAX: E26 1\*40W

