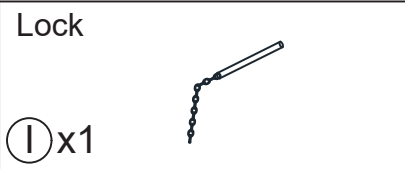
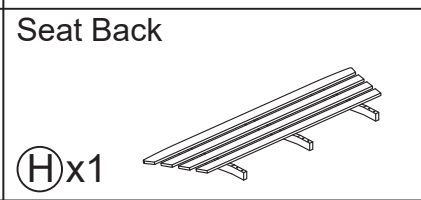
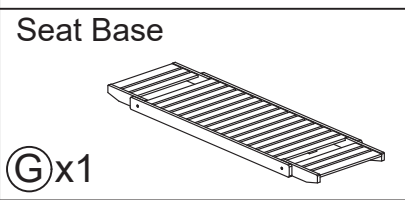
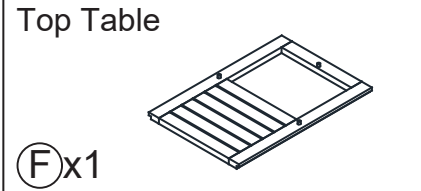
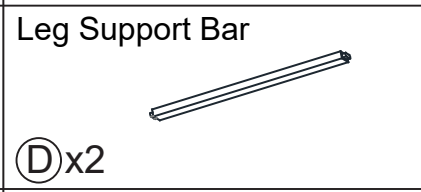
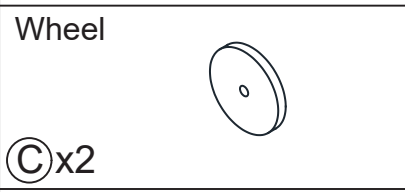
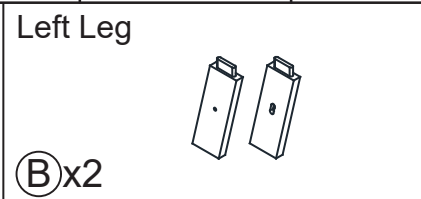
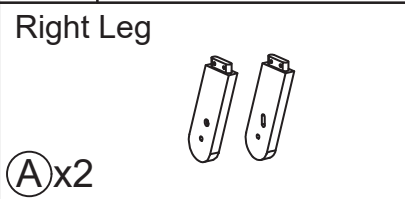
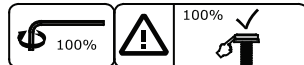
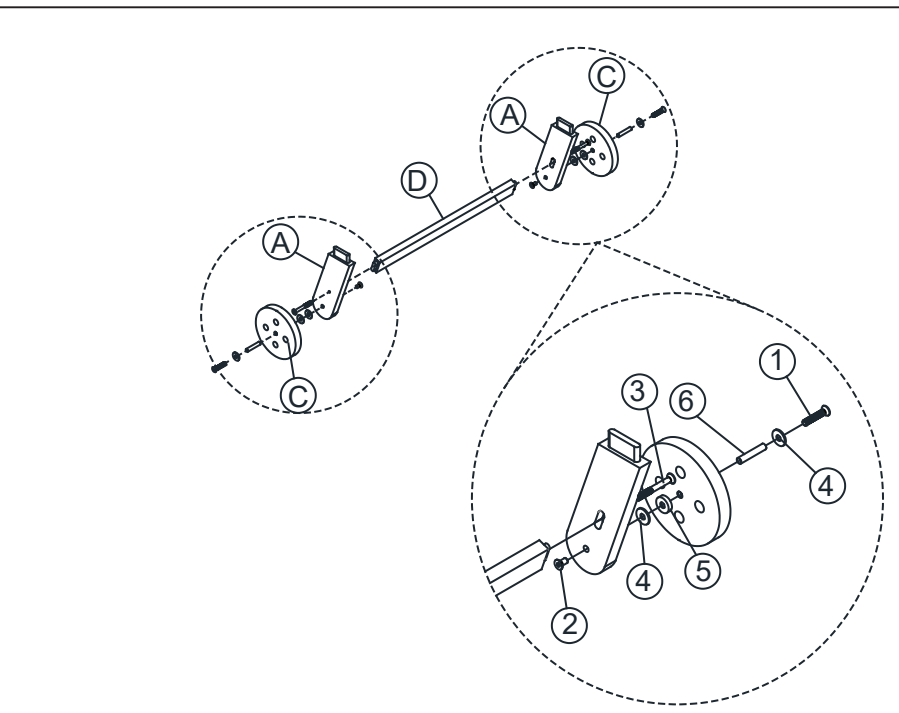
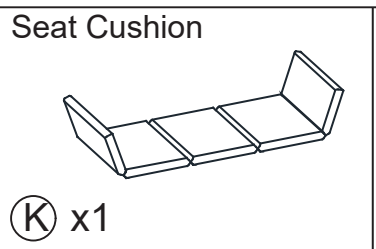


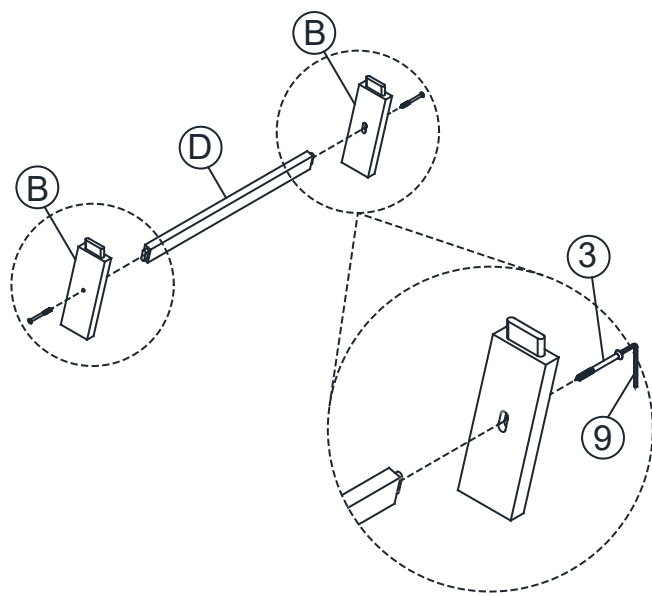
SKU: KS-023/KS-023BE

ASSEMBLY INSTRUCTION

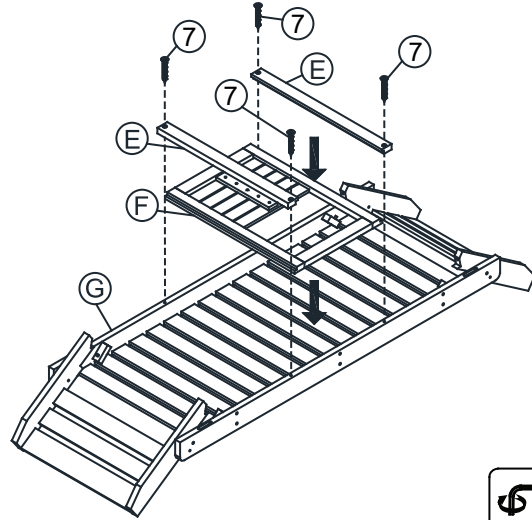
No	Hardware	Fig	Q.ty
①	Bolt M8 x 45mm		8
②	Nut M8 x 15mm		8
③	Screw M7 x 60mm		4
④	Washer M8 x 20 x 1mm (Iron)		4
⑤	Washer M8 x 20 x 3mm (Plastic)		2
⑥	Tube M10 x 24mm		2
⑦	Screw M6 x 40mm		4
⑧	Screw M6 x 20mm		8
⑨	Allen Key M4		2



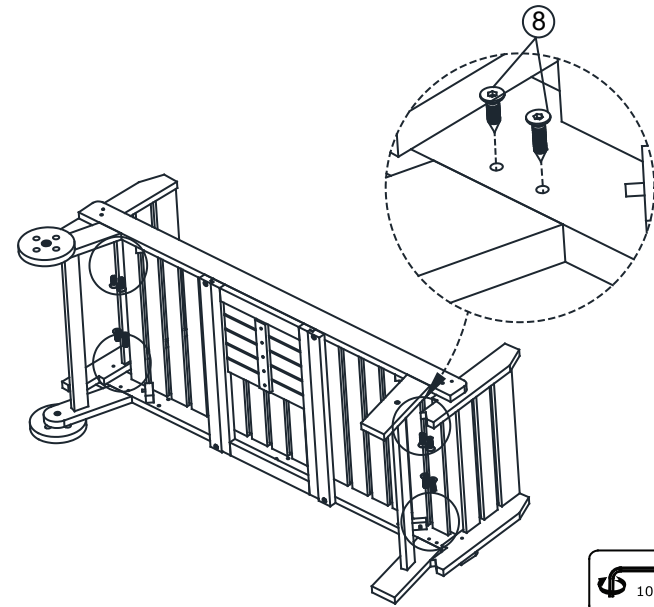
STEP 1



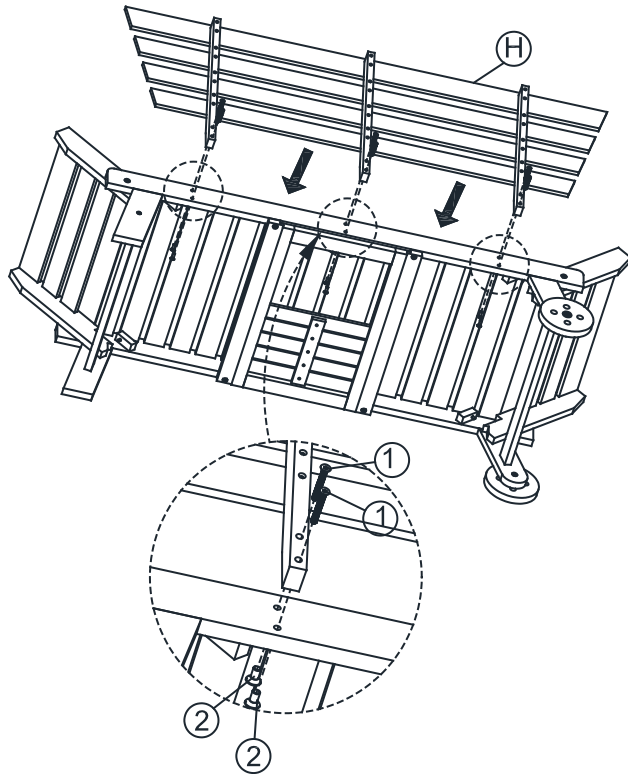
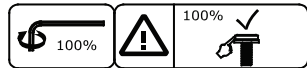
STEP 2



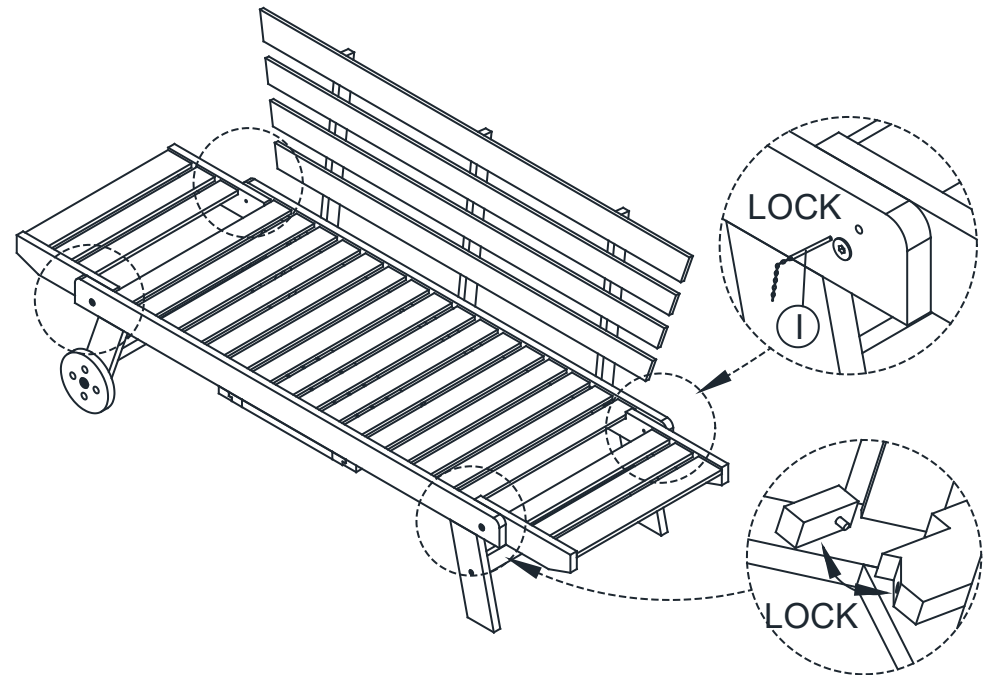
STEP 3



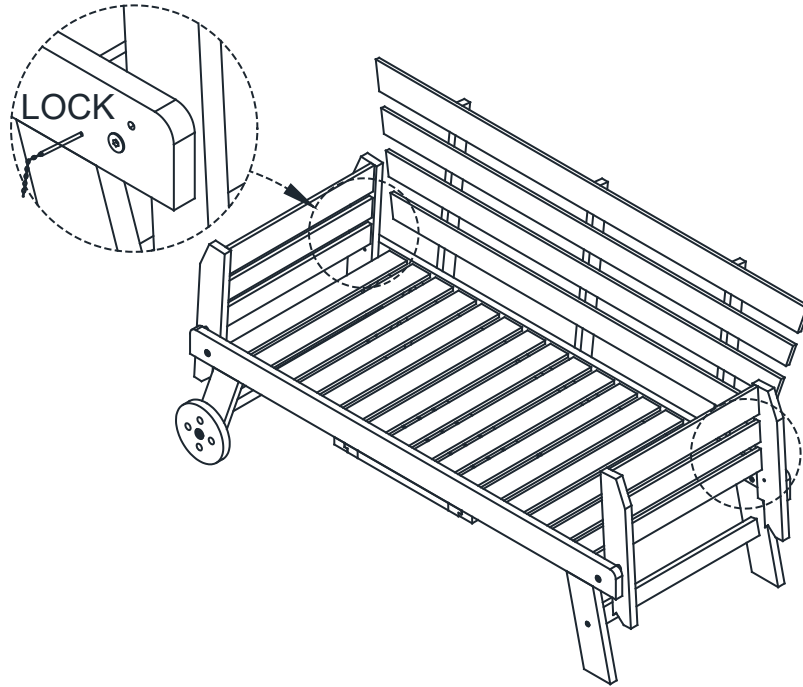
STEP 4



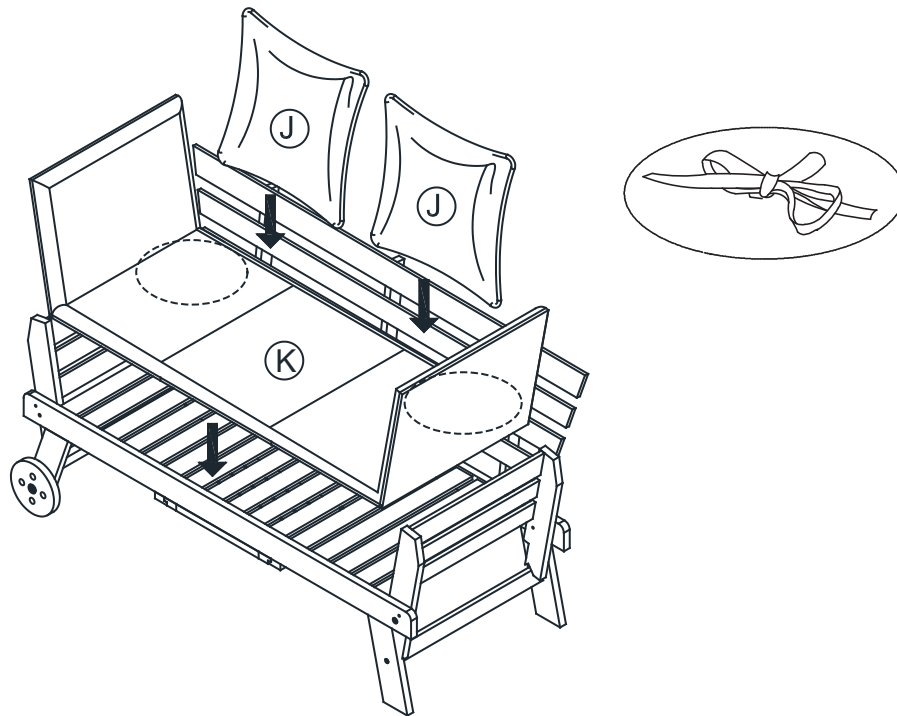
STEP 5



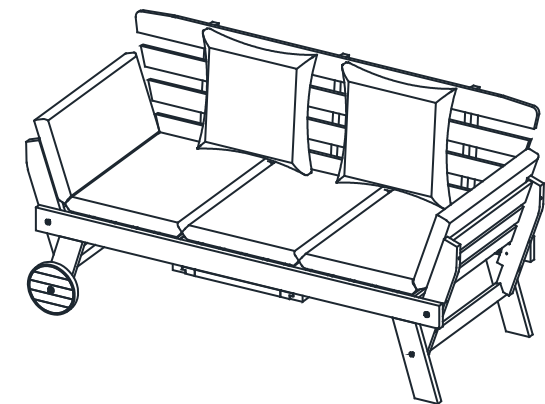
STEP 6



STEP 7



STEP 8



STEP 9

