



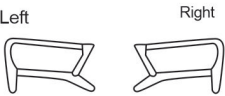



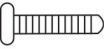

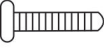

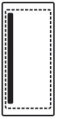


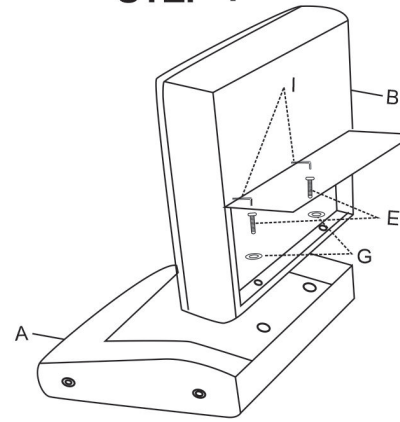


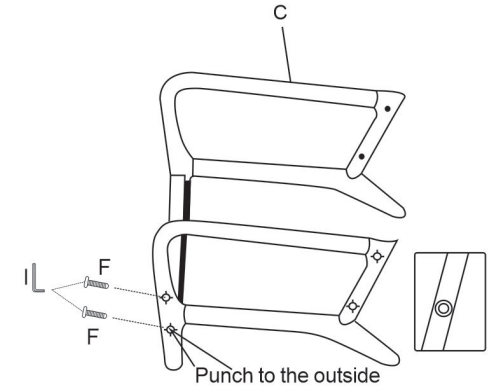
# INSTALLATION INSTRUCTIONS

|     |   |                     |     |   |              |
|-----|---|---------------------|-----|---|--------------|
| A×1 |    | BACK                | G×3 |    | WASHER       |
| B×1 |    | SEAT                | H×9 |    | CAP          |
| C×2 | <div style="display: flex; justify-content: space-around;"> <span>Left</span> <span>Right</span> </div>  | ARMRESTS            | I×1 |    | ALLEN WRENCH |
| D×1 |    | STRETCHER           | J×1 |    | SEAT CUSHION |
| E×3 |    | M8×50mm             | K×1 |   | BACK CUSHION |
| F×9 |    | M8×40mm             | L×1 |  | WAIST PILLOW |
| N×1 |    | ARM PAD             | M×1 |  | POCKET       |
| O×4 |    | FELT FURNITURE PADS |     |   |              |

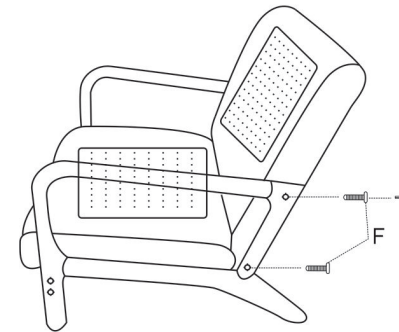
## STEP 1



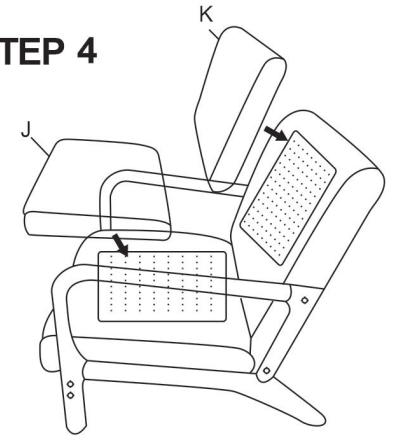
## STEP 2



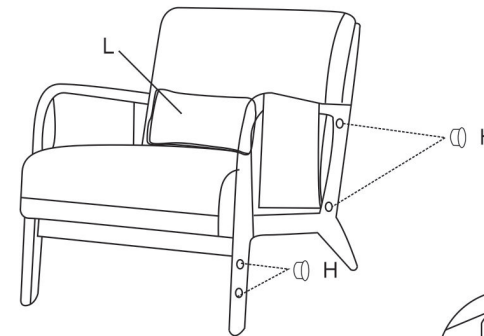
## STEP 3



## STEP 4



## STEP 5



## STEP 6

