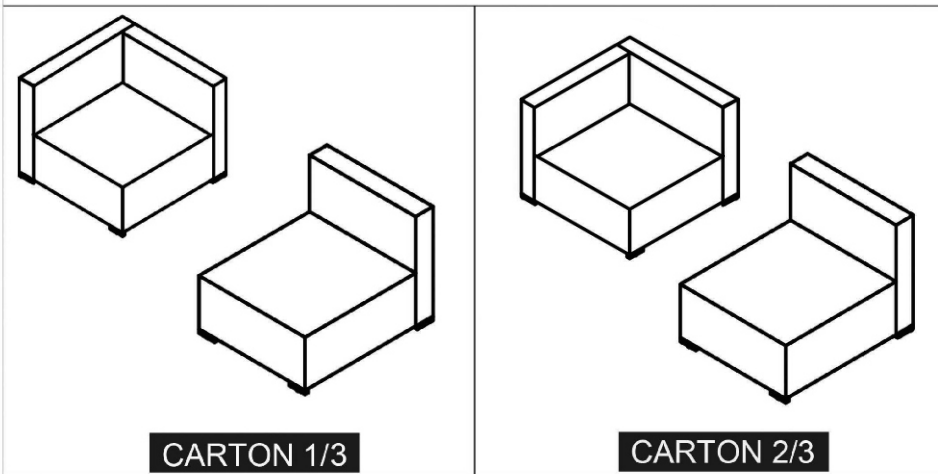
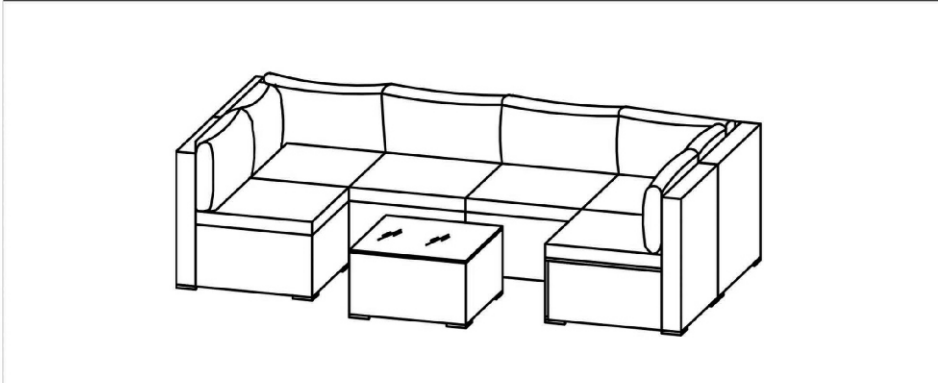


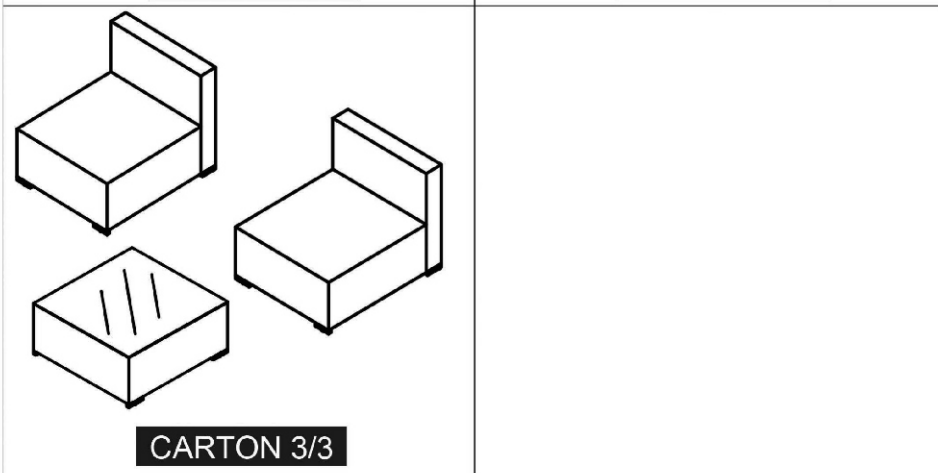
Tips: Don't tighten every screw until you get them all started in any one area.

### 7-Piece Wicker Full-Back Sectional Sofa





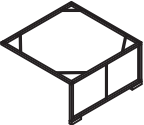

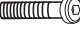



CARTON 1/3

CARTON 2/3

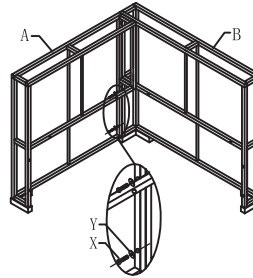


CARTON 3/3

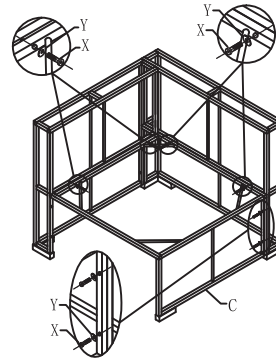
Tips: Don't tighten every screw until you get them all started in any one area.

Item no.	Reference Image	Description	Qty.
A		Arm Rest	1
B		Seat Back	1
C		Seat Base	1
D		Side Panels	1
X	 M6*32	Socket Head Cap Screw	13
Y		Flat Washer	13
Z		Adjustable foot pad	4
T		4-mm Allen Key	1

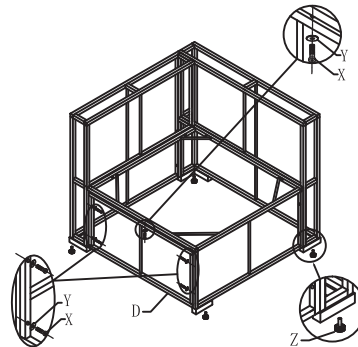
**Step 1: Attach the Arm rest(A) to the Seat Back(B), using M6x32 socket head cap screws with flat washers(Y). Do this in two places.**



**Step 2: Attach the Seat base(C) to the Arm Rest(A) and Seat Back(B), using M6x32 socket head cap screws with flat washers(Y). Do this in four places.**

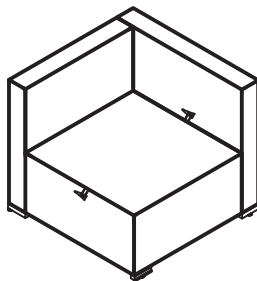


**Step 3: Attach the Side Panel(D) to the Seat Base(C) and Arm rest(A), using M6x32 socket head cap screws with flat washers(Y). Do this in four places.**


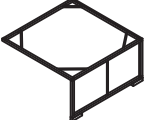

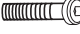




**Step 4: Screw in the adjustable footpad(Z) to the silver-colored foot. Do this in four places.**

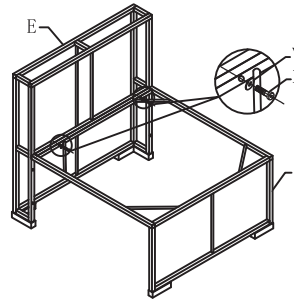
Corner Sofa



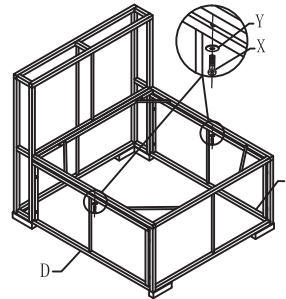
Tips: Don't tighten every screw until you get them all started in any one area.

Item no.	Reference Image	Description	Qty.
E		Seat Back	1
F		Seat Base	1
D		Side Panels	2
X	 M6*32	Socket Head Cap Screw	12
Y		Flat Washer	12
Z		Adjustable foot pad	4

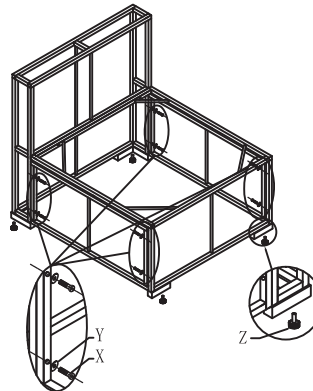
**Step 1:** Attach the Seat back(E) to the Seat Base(F), using M6x35 socket head cap screws with flat washers (Y). Do this in two places.



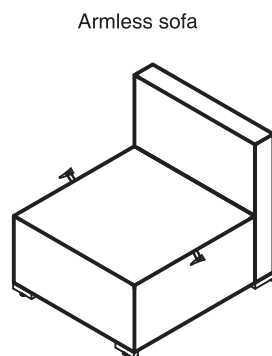
**Step 2:** Attach the Side Panel(D) to the Seat Base(F), using M6x35 socket head cap screws with flat washers(Y). Do this in two places.



**Step 3:** Attach the Side Panel(D) to the Seat Back(E) and Seat Base(F), using M6x35 socket head cap screws with flat washers(Y). Do this in eight places.



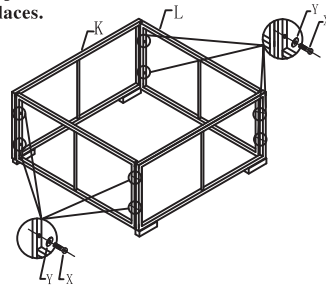
**Step 4:** Screw in the adjustable footpad(Z) to the silver-colored foot. Do this in four places.



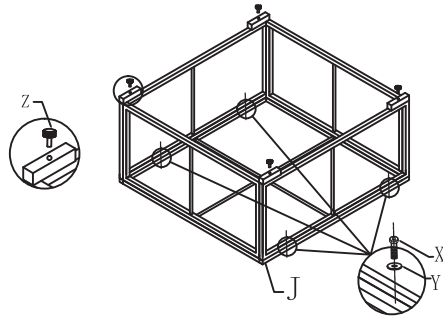
Tips: Don't tighten every screw until you get them all started in any one area.

Item no.	Reference Image	Description	Qty.
J		Table Top	1
K		Side Panels	2
L		Side Panels	2
M		Gkass Top	1
X		Socket Head Cap Screw M6*32	12
Y		Flat Washer	12
Z		Adjustable foot pad	4

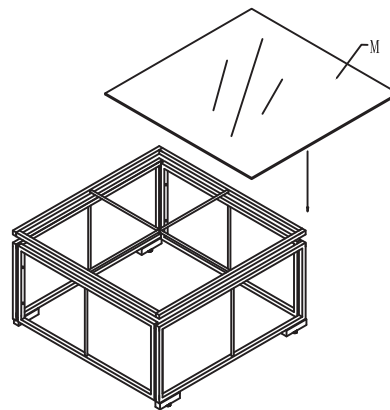
**Step 1:** Connet all side panels (K & L), using M6X35 socket head cap screws with flat washers (Y). Do this in eight places.



**Step 2:** Flip the table upside down. Attach the Table Top (J) to the side panels using M6 x 35 socket head cap screws with flat washers (Y). Do this in four places.

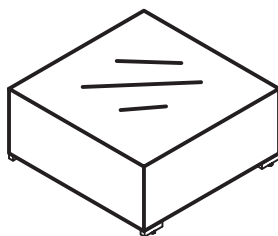


**Step 3:** Flip the table back then place the glass top (M) on it.

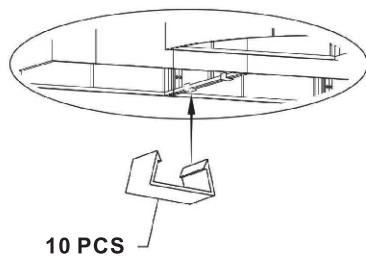
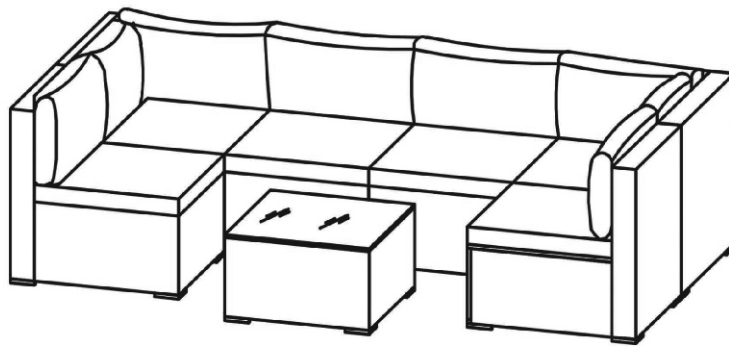


**Step 4:** Screw in the adjustable footpad(Z) to the silver-colored foot. Do this in four places.

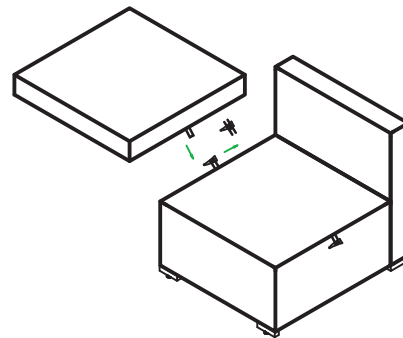
Coffee Table



Tips: Don't tighten every screw until you get them all started in any one area.



10 PCS



After finishing all assembling, Please use plastic clips to connect each sofa.

The button on the seat plate goes through the string on the cushion