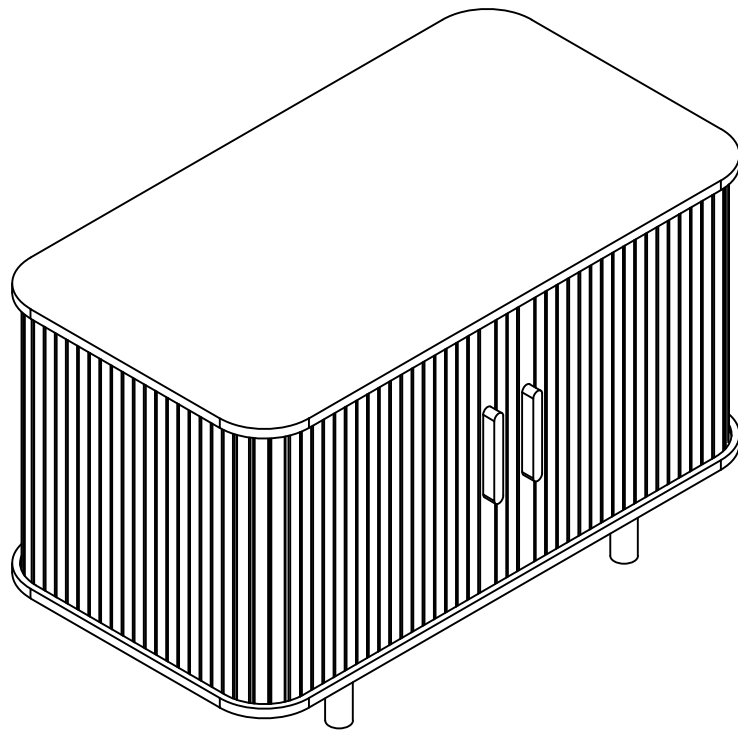


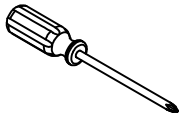
Installation Instruction



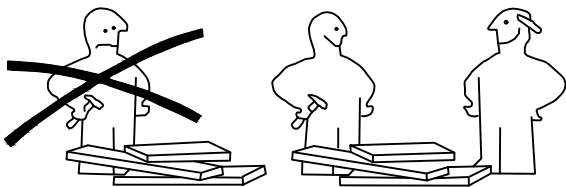
Assembling

What you need

- Use the packaging carton as a working surface to prevent product damage during assembly
- Phillips head screwdriver



Weight Limitation

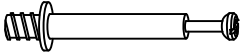


What' included

Code	Description	Qty
A	Cam Bolt M6X35MM	6
B	Cam Lock 15X10MM	6
C	Wooden Dowel M8X30MM	14
D	Screw M4X40MM	18
E	Screw M3.5X14MM	16
F	Shelf Holder	2
G	Nylon Strap	2
H	Screw M4.0X14MM	16
I	Cam Bolt M4X12MM	4
J	The back button	10
K	Anchor	2
L	MATS	4
M	Solid wood handle	2
N	Self-adhesive hole sticker	6
O	The metal plate	4
P	Metal hook	2
Q	Cross-head screwdriver	1

The Hardwares

A



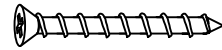
B



C



D



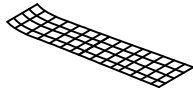
E



F



G



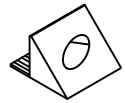
H



I



J



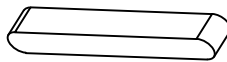
K



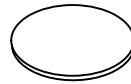
L



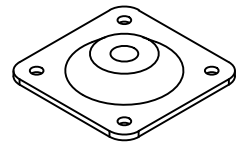
M



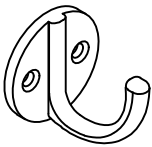
N



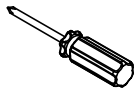
O



P



Q



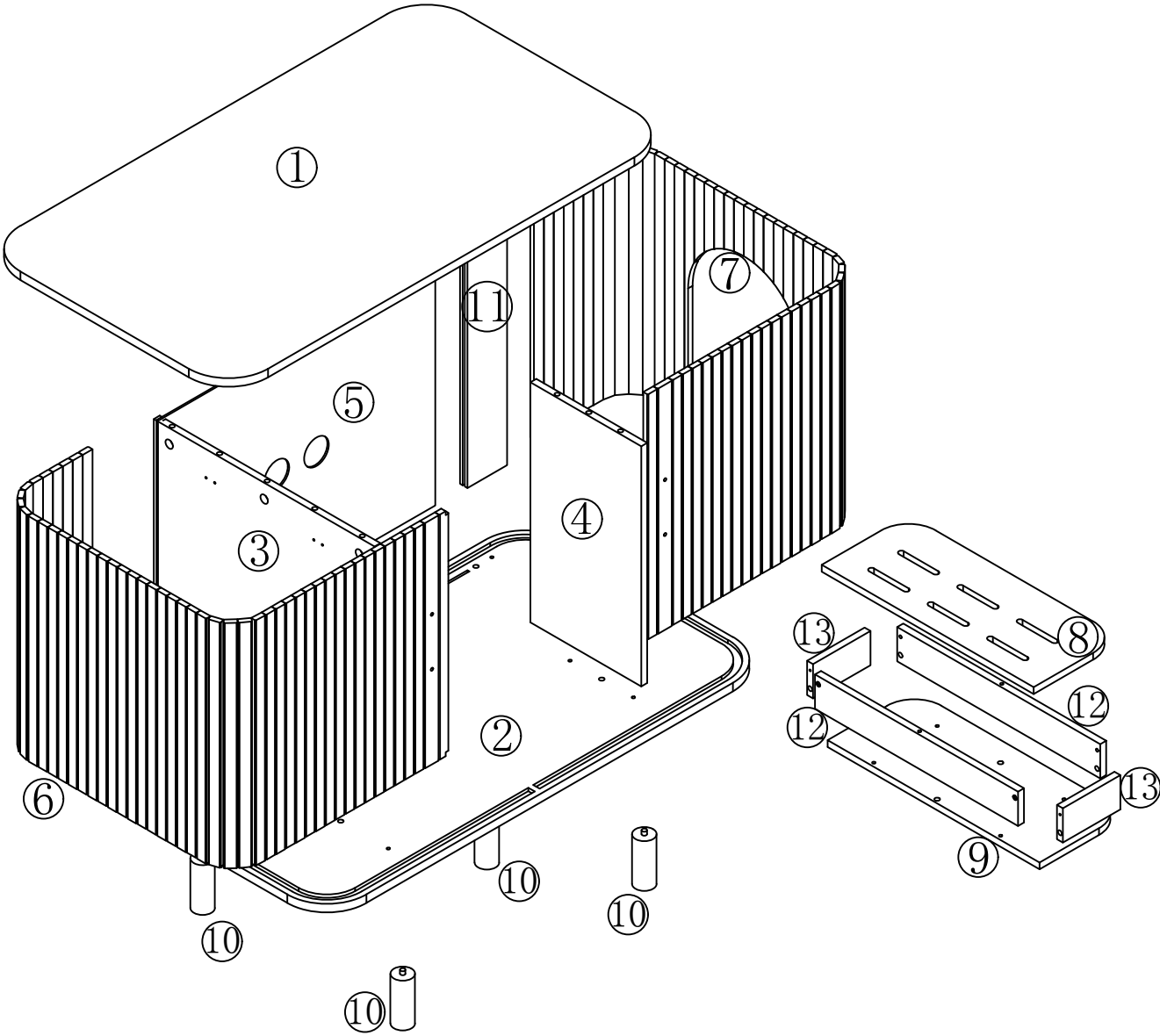
IMPORTANT:

1. Do not tighten bolts / screws completely until all bolts / screws are lined up and inserted into holes.
2. Do not over tighten screws and bolts to avoid stripping
3. You can use a screwdriver. Power tools can also be used. (Be careful with power tools)

Included Accessories

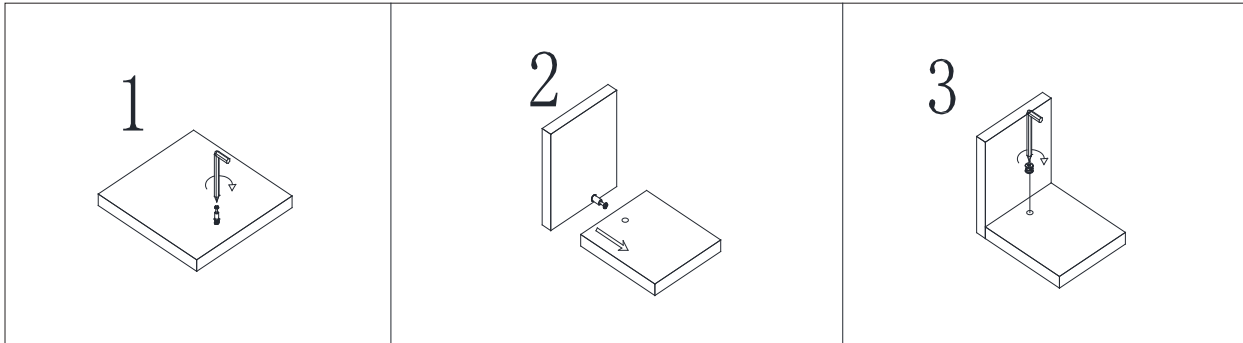
Code	Description	Qty
1	Cabinet Top	1
2	Bottom Panel	1
3	Left Side Panel	1
4	Right Side Panel	1
5	Upper back plate	1
6	Left curved sliding door	1
7	Right curved sliding door	1
8	Cat litter box panel	1
9	The bottom plate of the cat litter box	1
10	Solid wood feet	4
11	Rear support plate	1
12	Side panel of the cat litter box	2
13	Front and back panels of the cat litter box	2

The Accessoriess

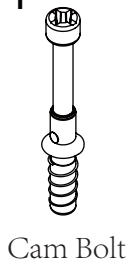


HARDWARE USAGE GUIDE

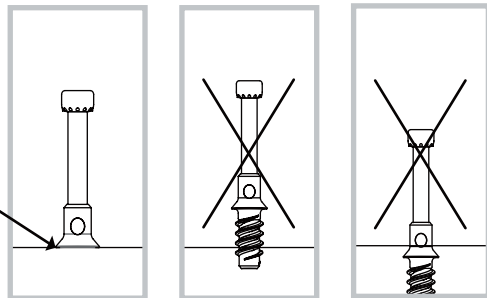
Hidden Cam Bolt/Cam Lock Usage Instructions



Step 1

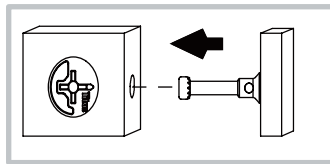


Turn the Cam Bolt until the shoulder is firmly against the part.

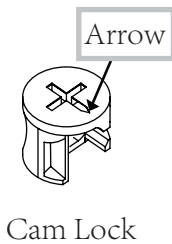


Step 2

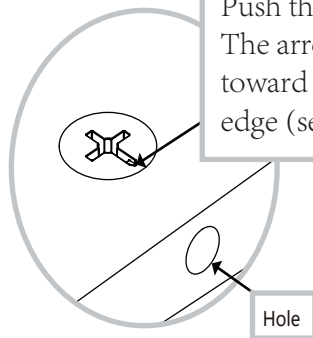
Connect the two plates at 90 degrees.



Step 3.1

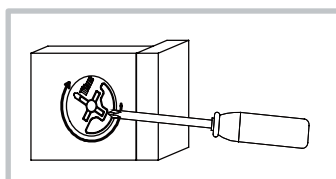


Push the cam lock into the part. The arrow must point directly toward the hole on the board's edge (see diagram).


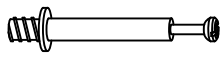



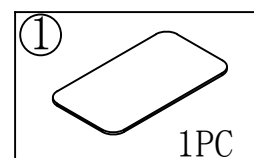
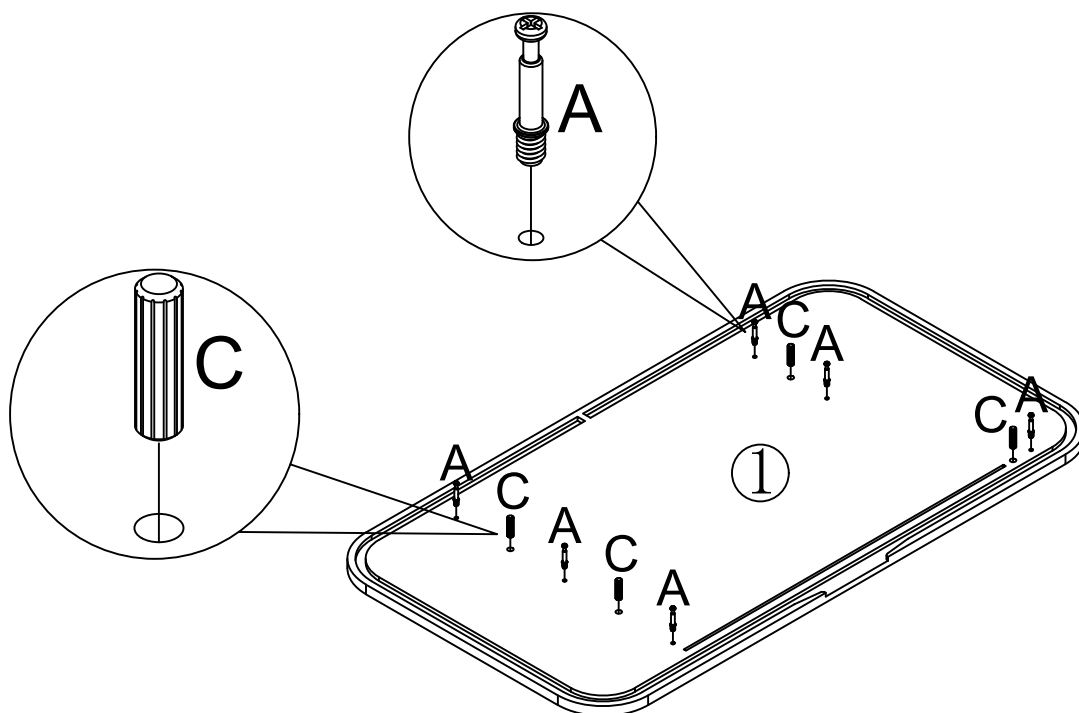
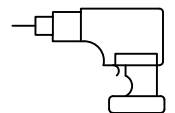
Step 3.2

Install the cam lock nut and fix it by rotation.






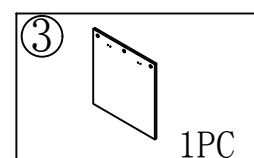
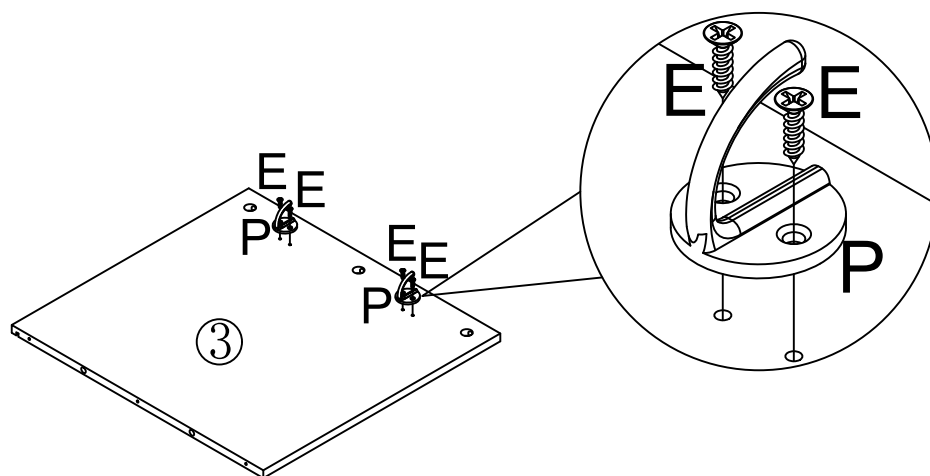
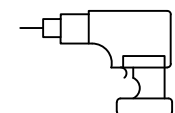
Step 1

A	×6	C	×4	
				


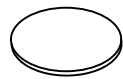


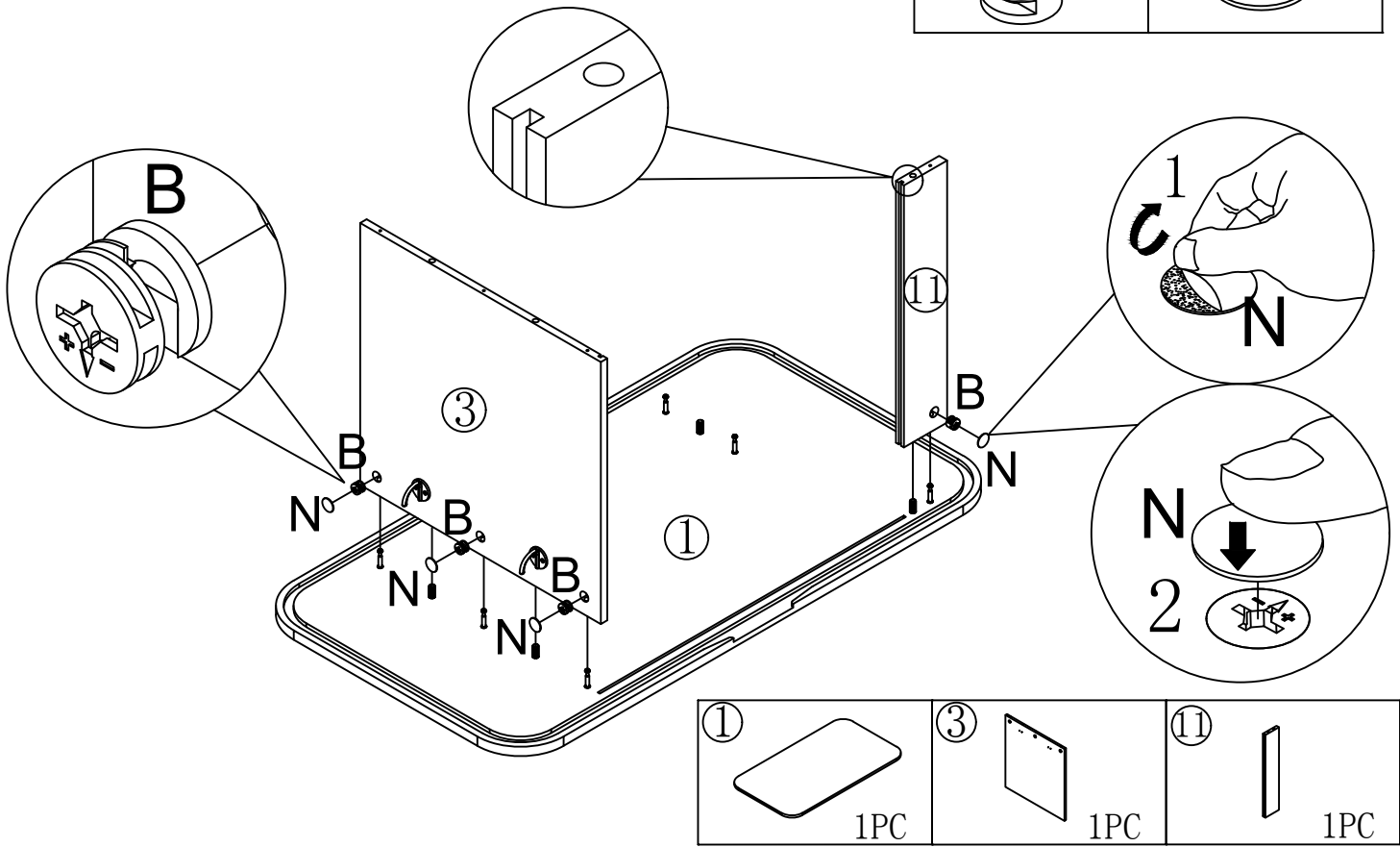
Step 2

E	×4	P	×2	
				


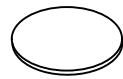


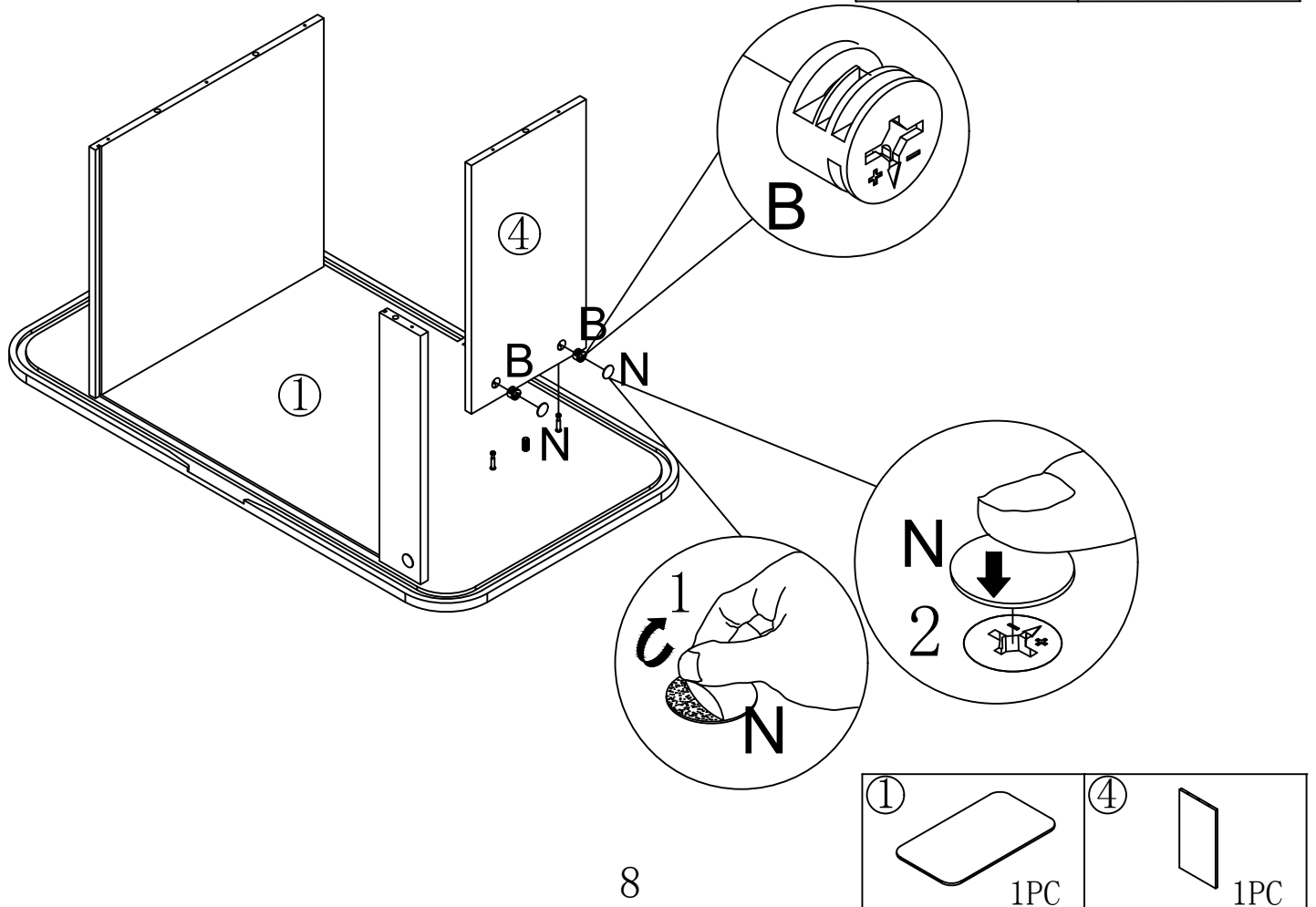
Step 3

B	×4	N	×4
			

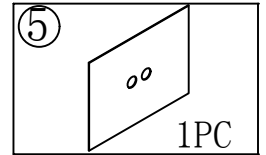
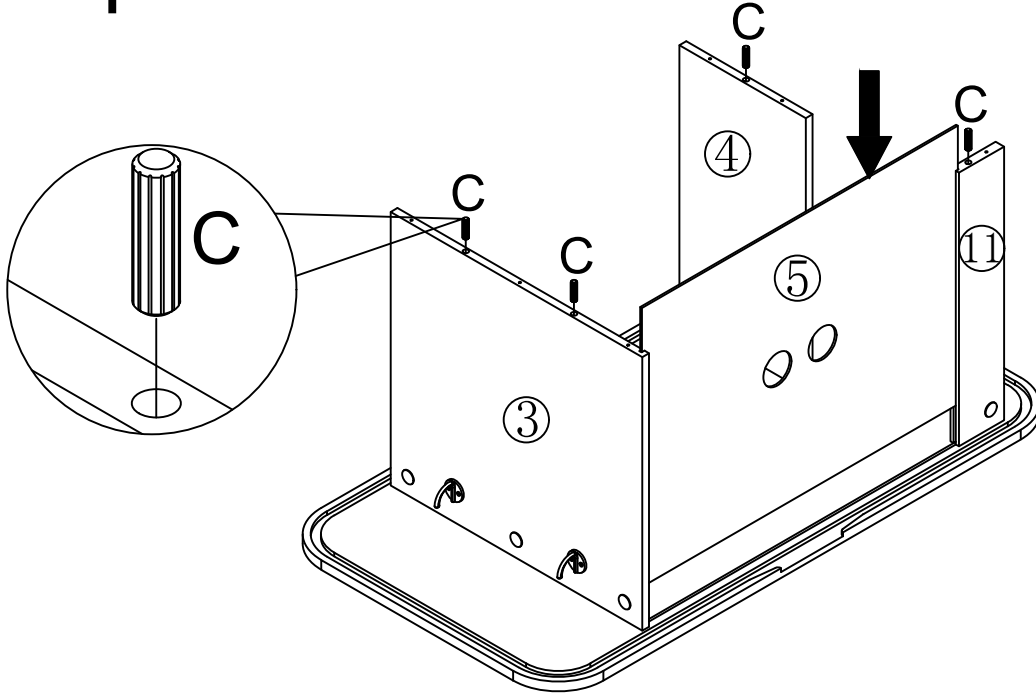
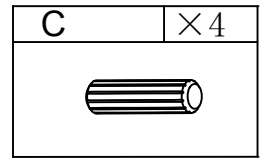


Step 4

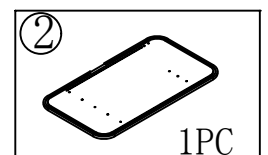
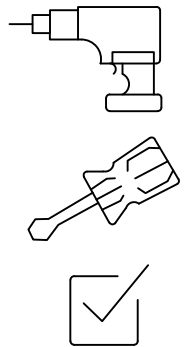
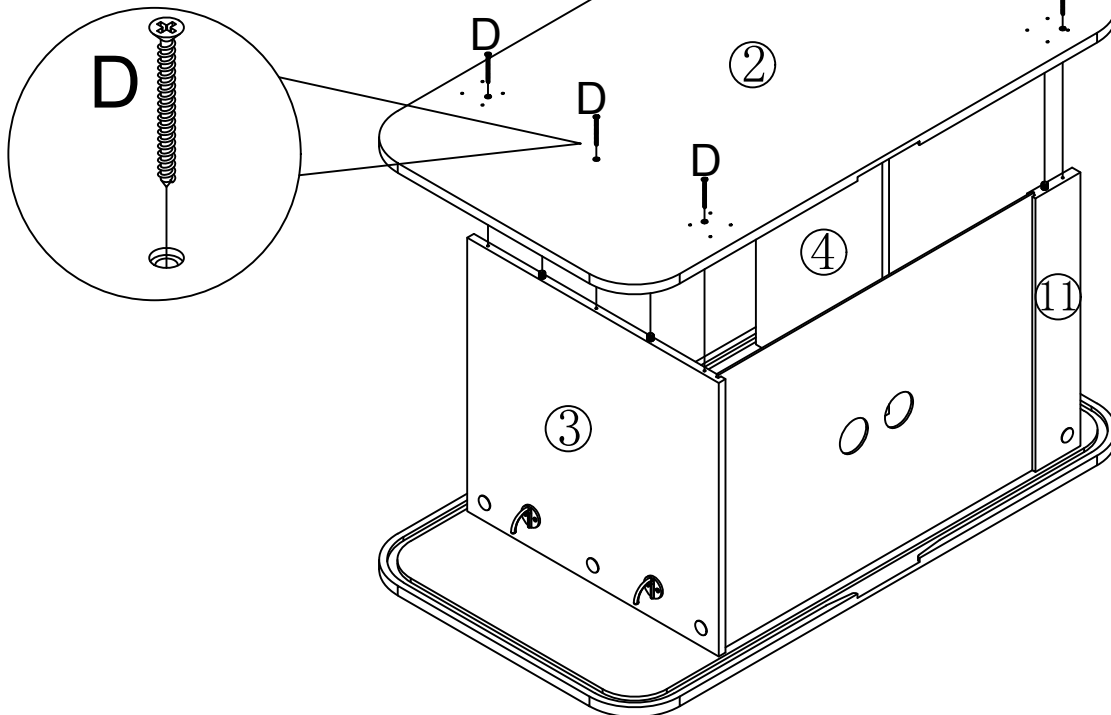
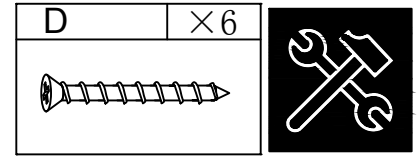
B	×2	N	×2
			




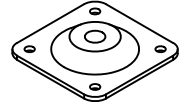
Step 5

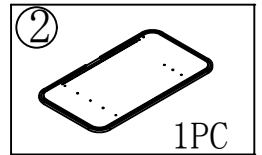
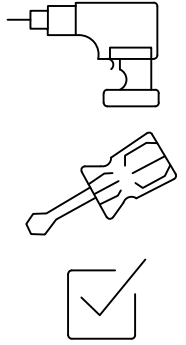
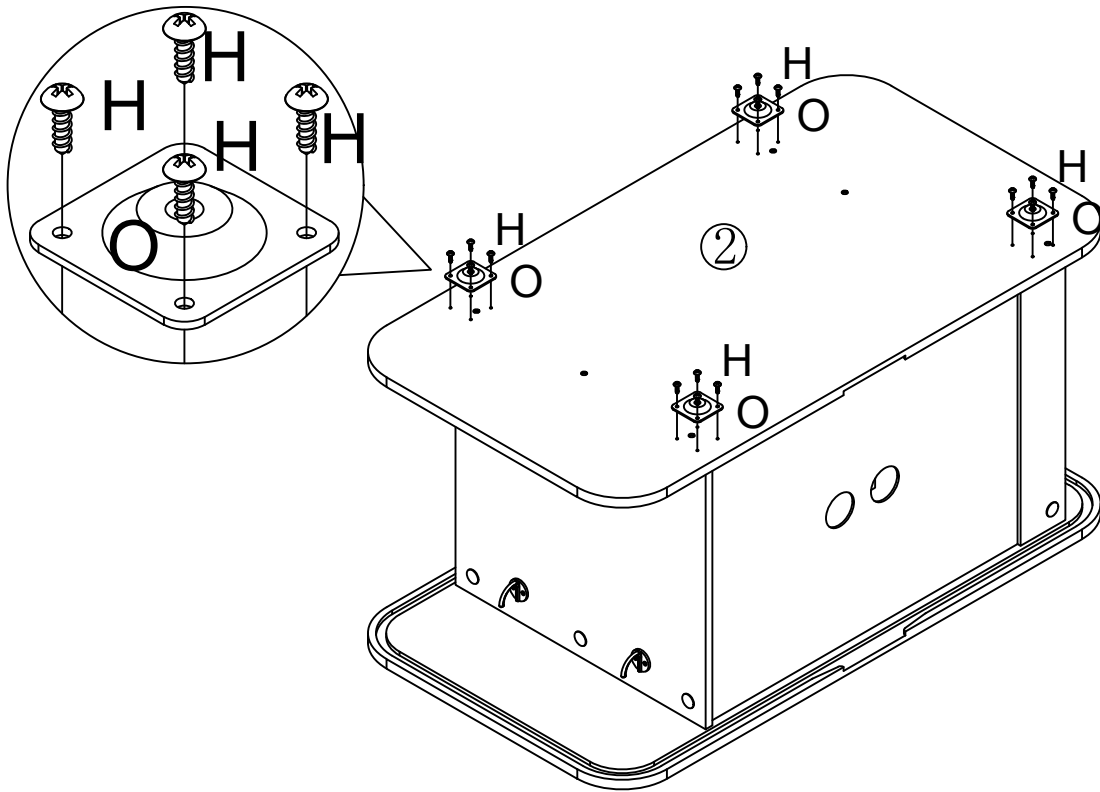


Step 6




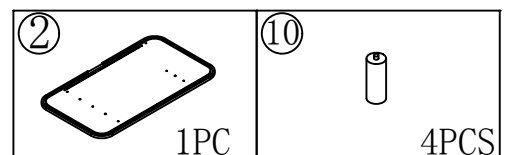
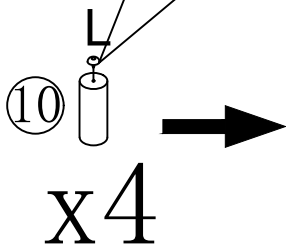
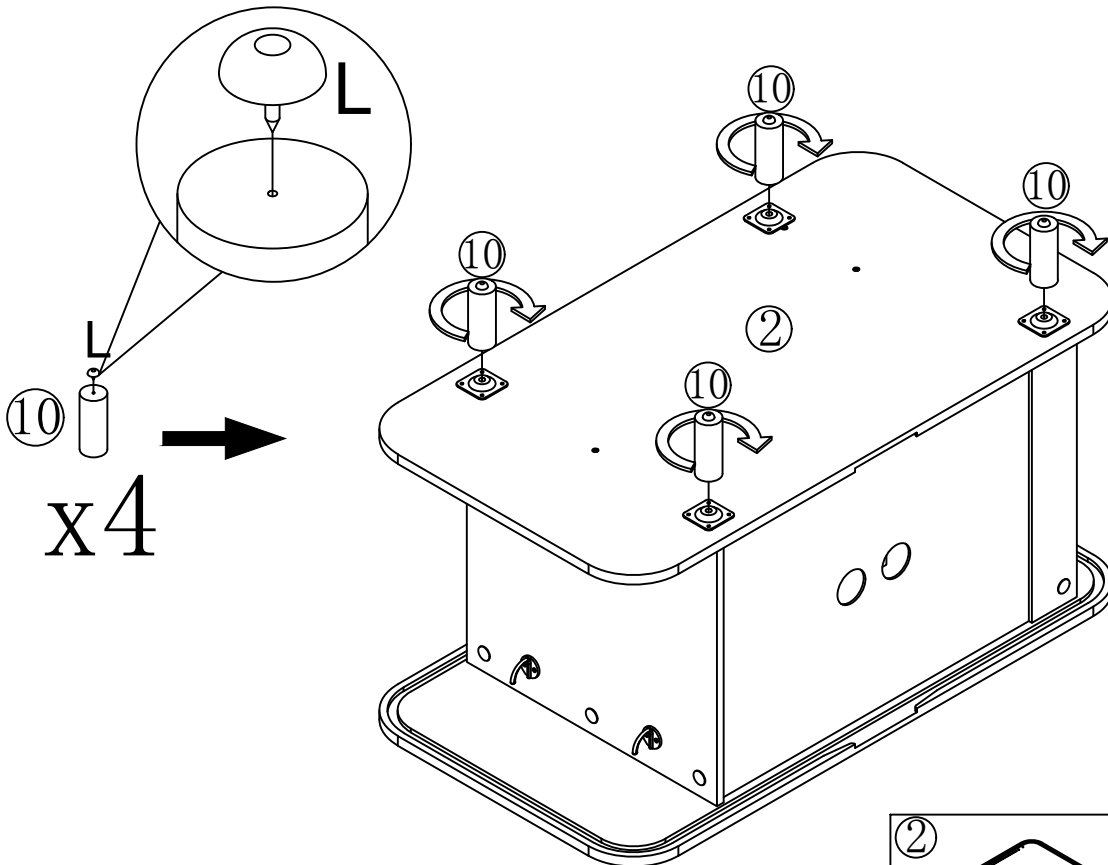
Step 7

H	×16	O	×4
			




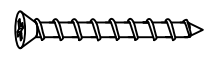
Step 8

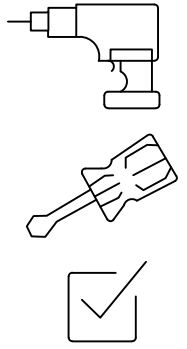
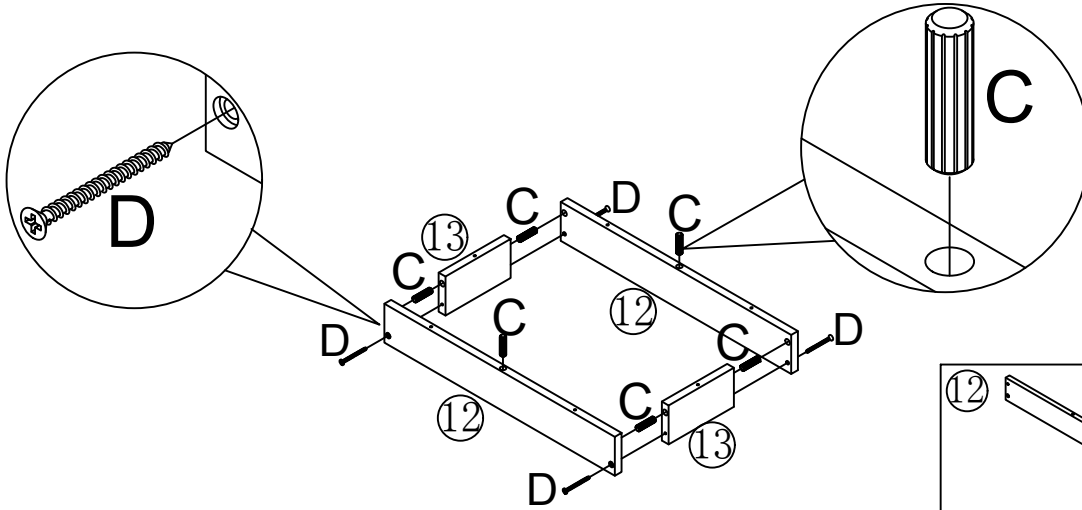
L	×4
	

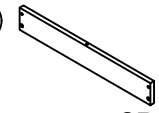



10

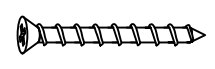
Step 9

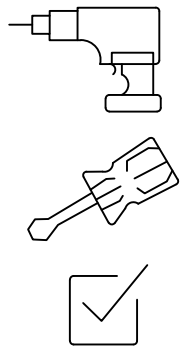
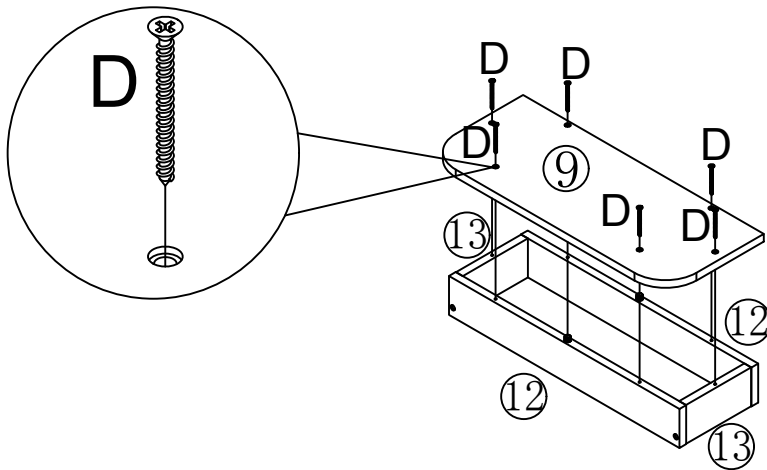
C	×6	D	×4
			

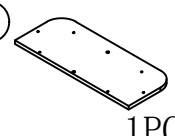
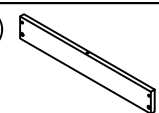



⑫	⑬
	
2PCS	2PCS


Step 10

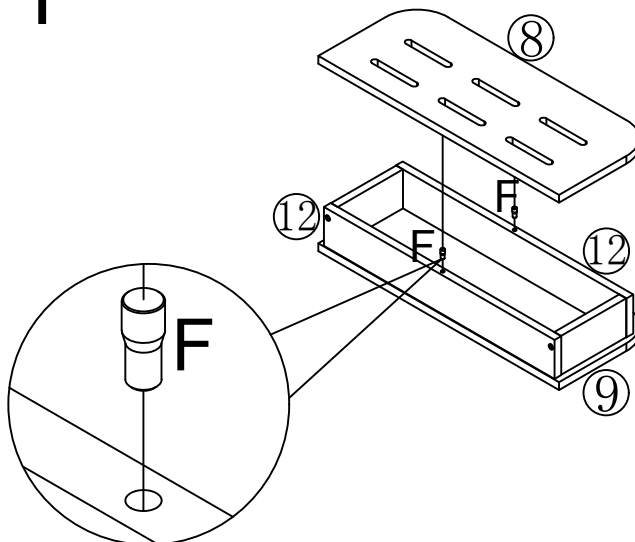
D	×6
	

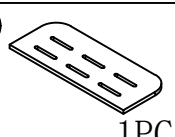
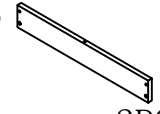


⑨	⑫	⑬
		
1PC	2PCS	2PCS

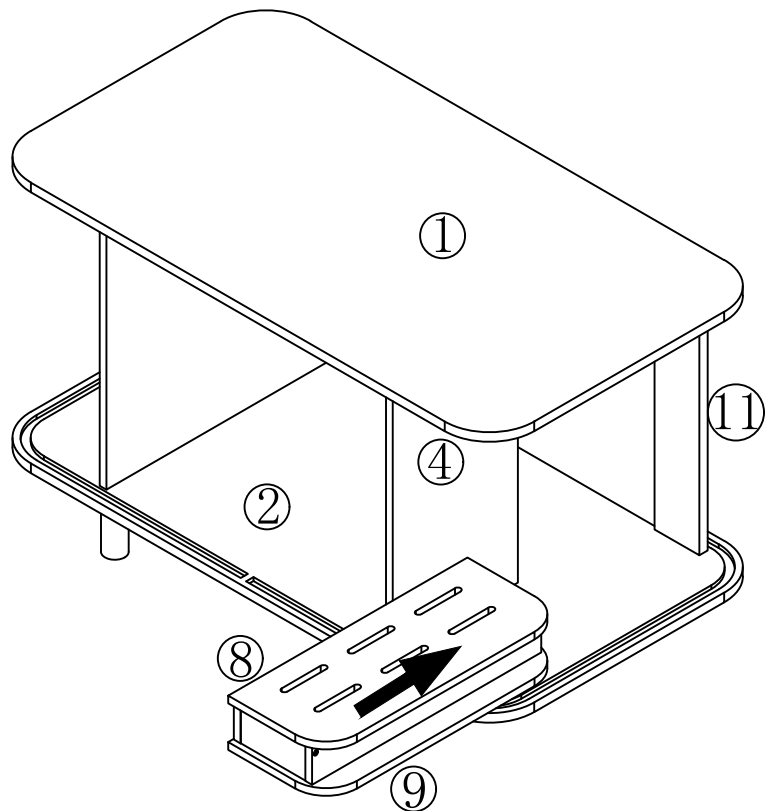
Step 11

F	×2
	


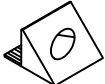


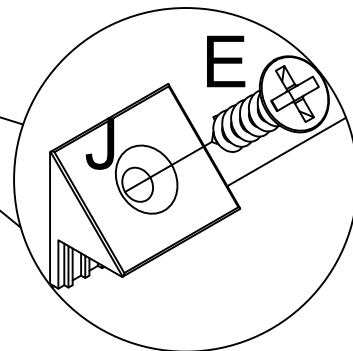
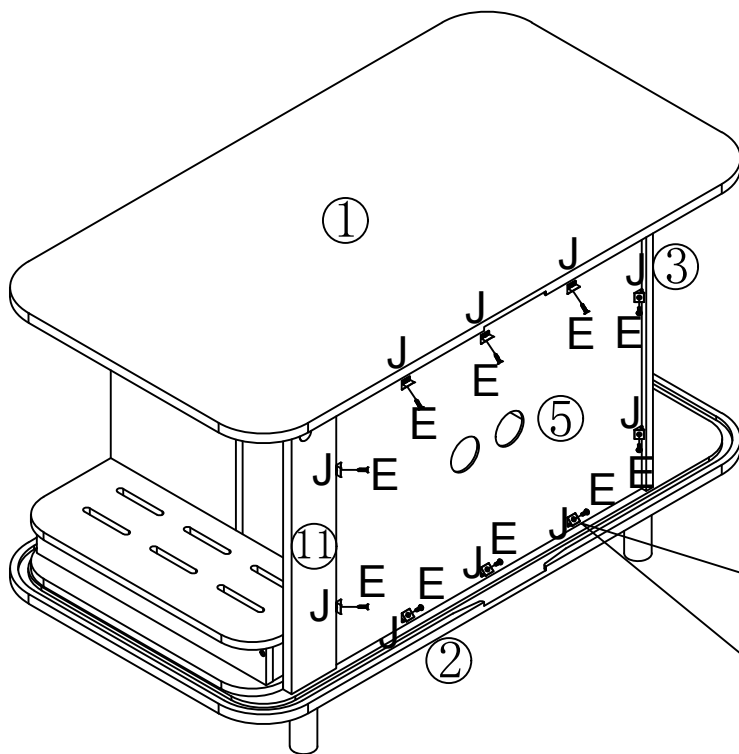
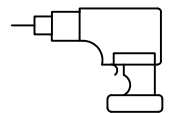
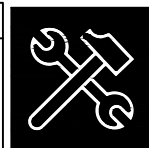
⑧	⑫
	
1PC	2PCS

Step 12

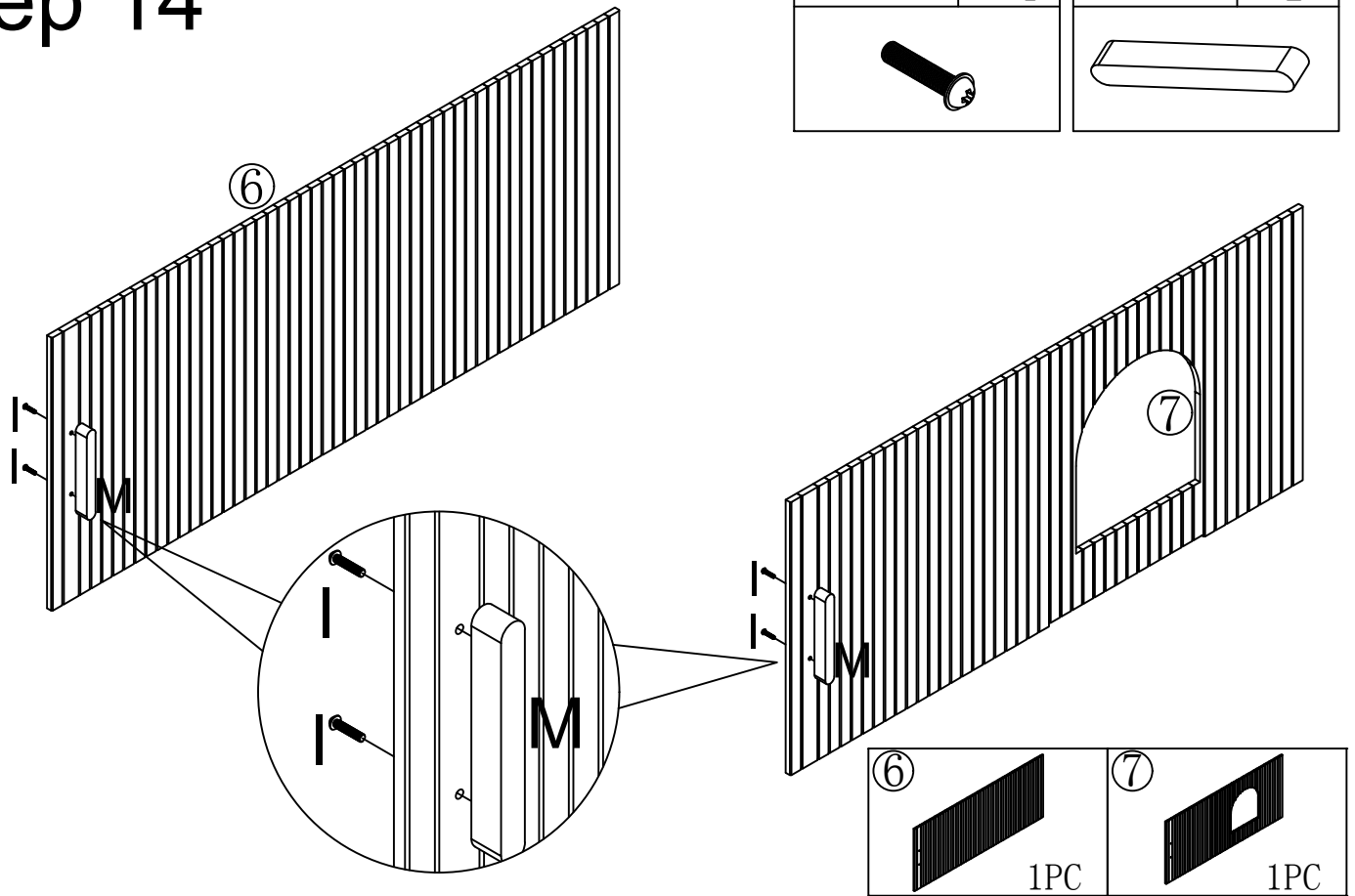


Step 13

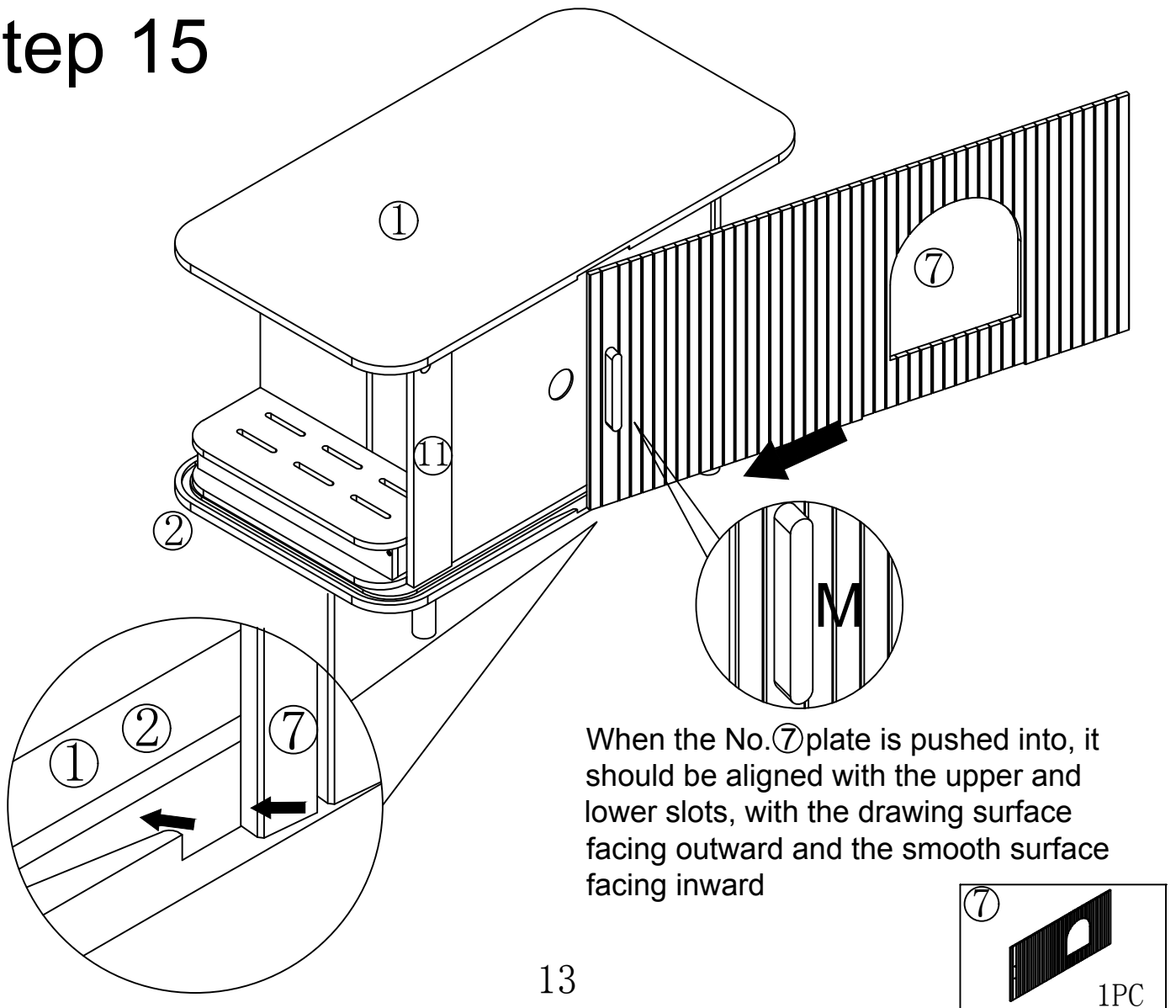
E	×10	J	×10
			



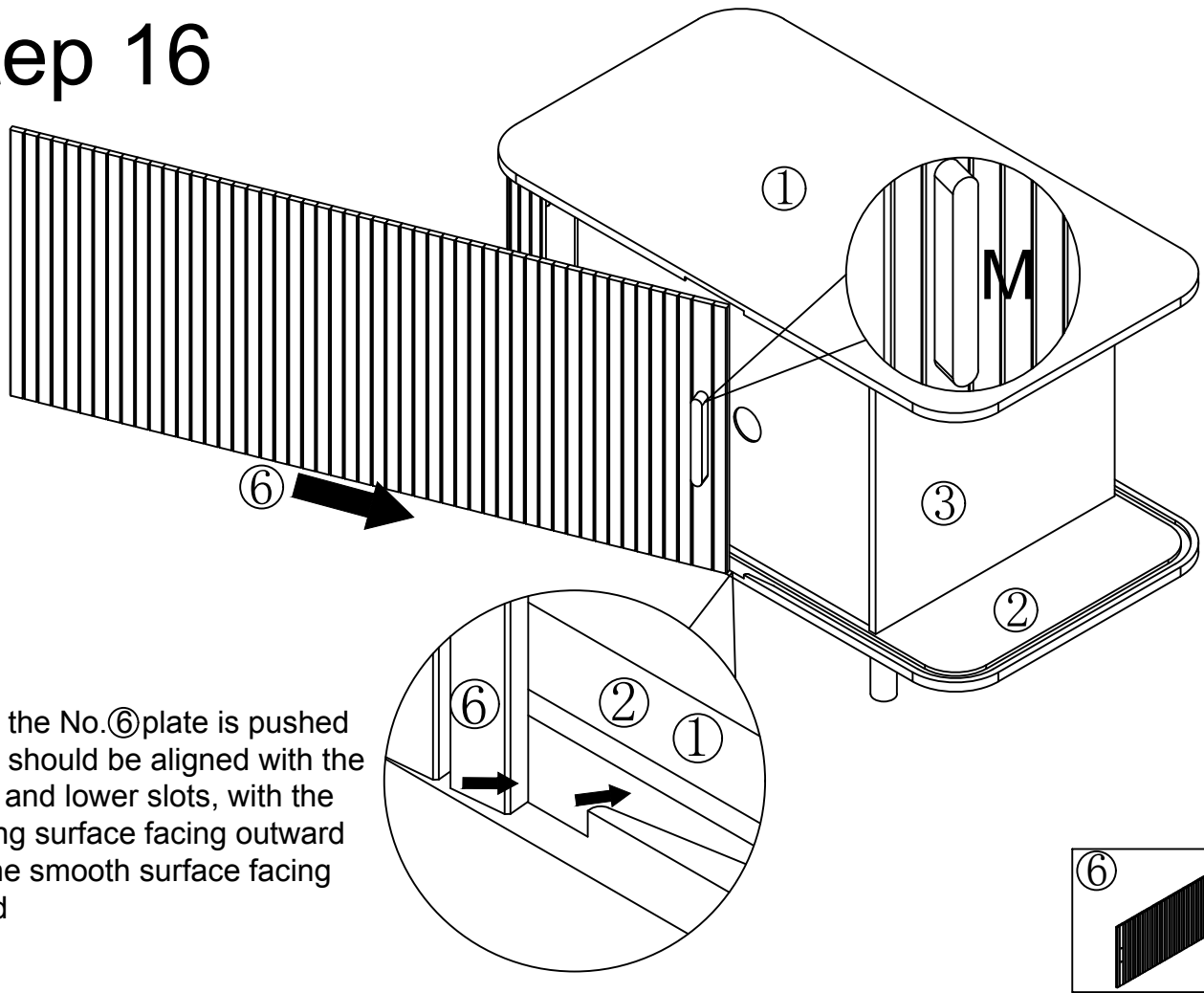
Step 14



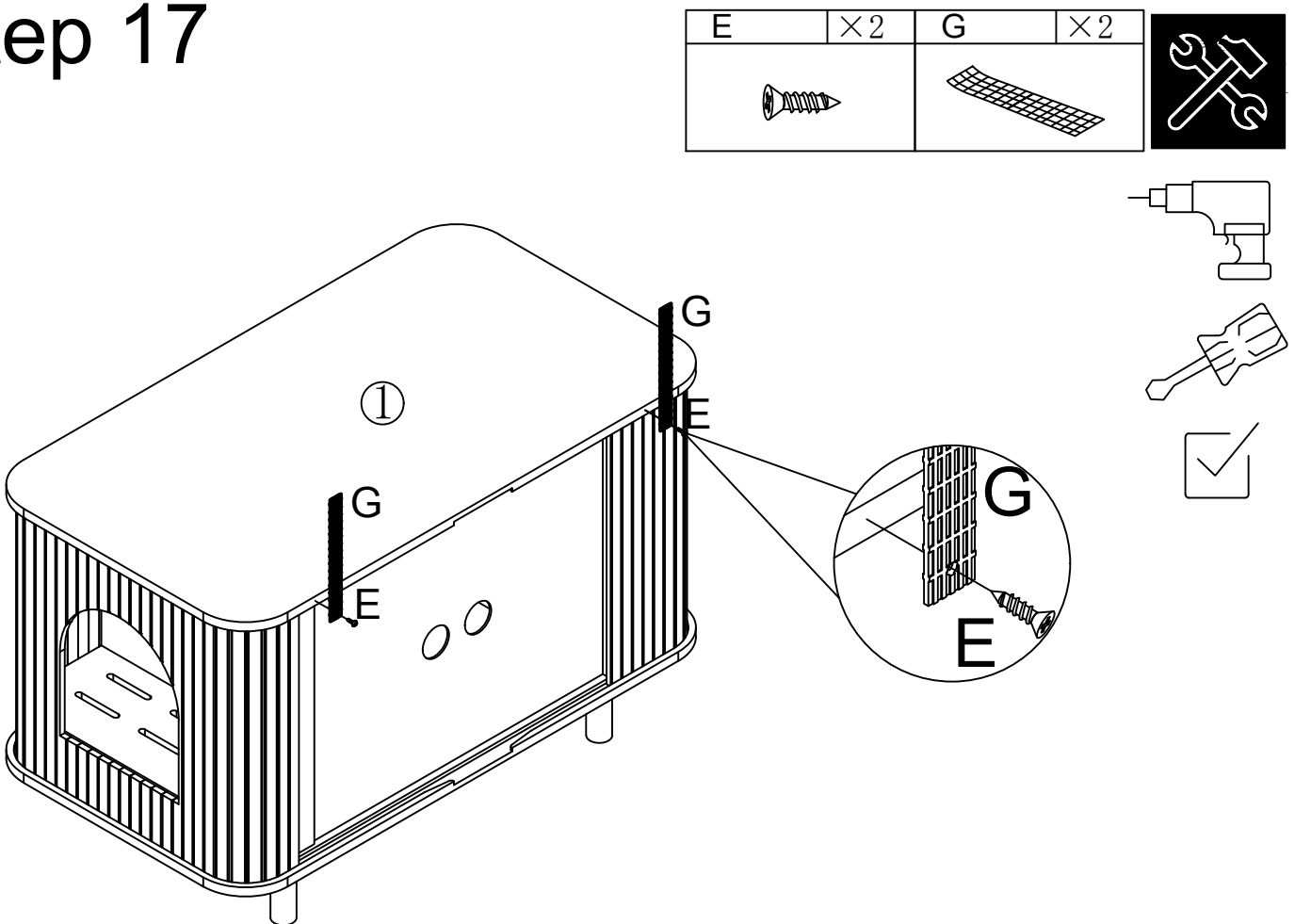
Step 15



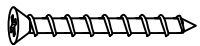

Step 16

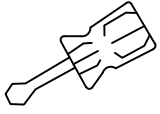
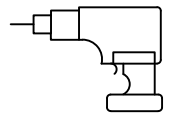
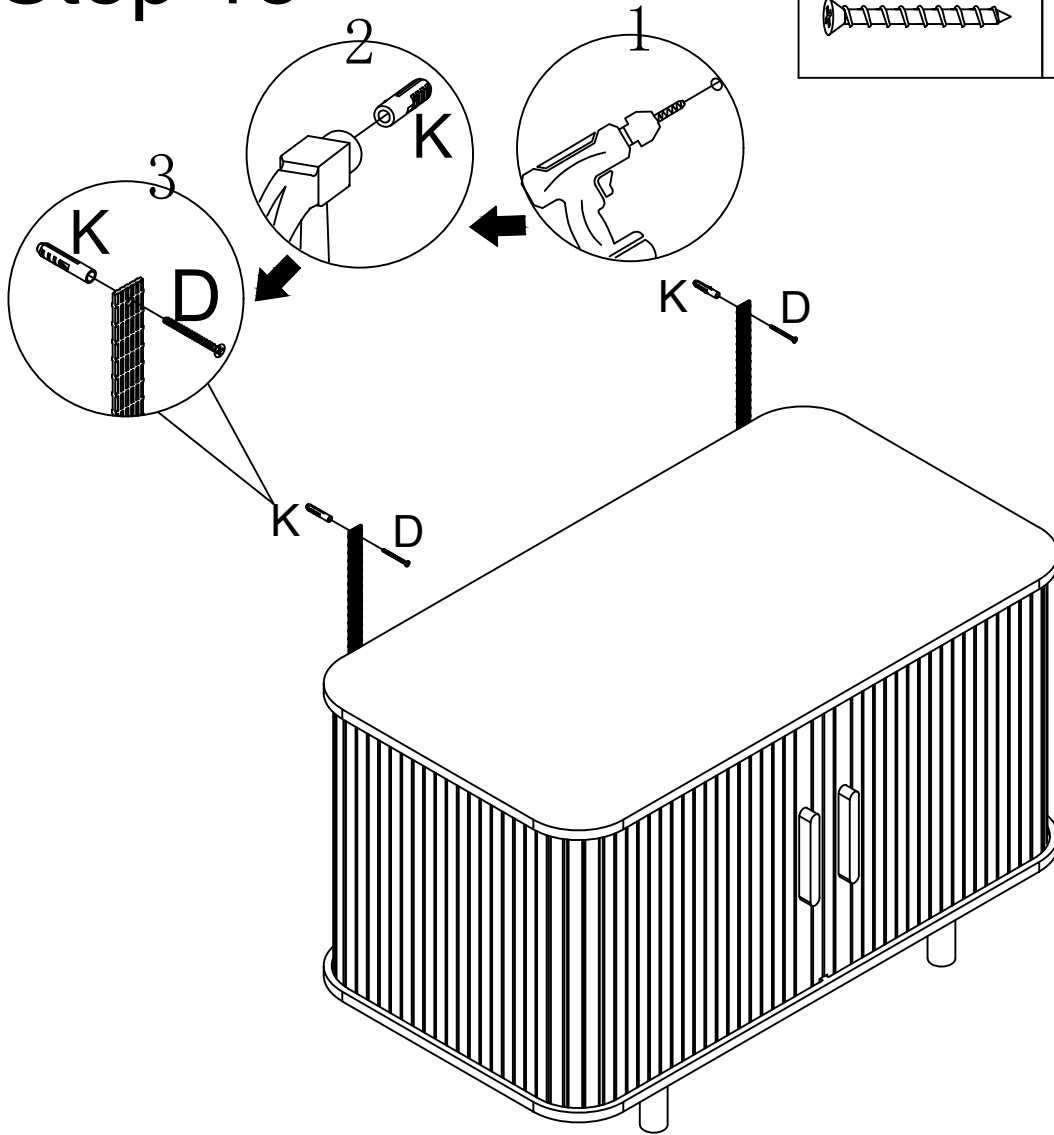


Step 17



Step 18

D	×2	K	×2
			



Two people work together to move the Cabinet.
Make sure you lift it off the ground.
Don't push and pull.