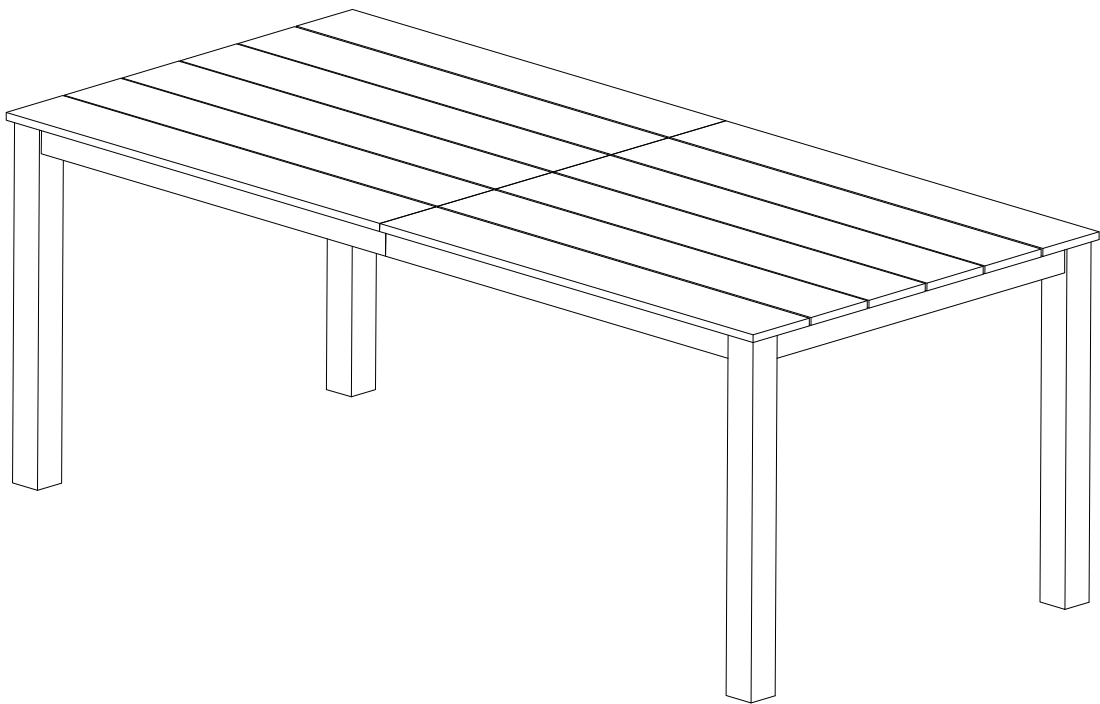


Assembly Instructions

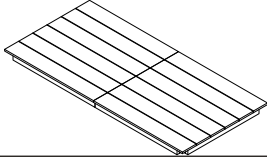


CAUTION: You must read this before you proceed.

TABLE

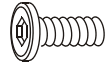
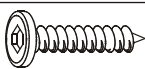

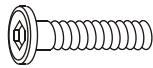
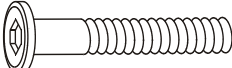
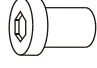


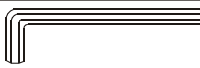


CAUTION : This Table is NOT a TOY.
Keep your child / children at bay in the process of assembly.
For turning the Table and to prevent damage to the Table 02 persons may be needed to execute this action

Parts List

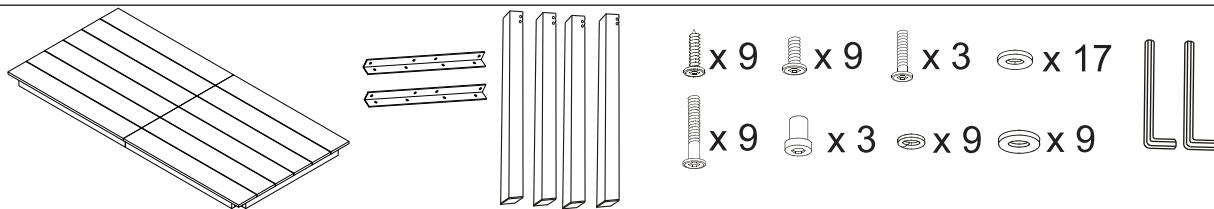
Label	Picture	Description	Qty
A		Table Top	1
B		Legs	4
C		Support Bars	2

Hardware

No.	Picture	Description	Qty
①		Bolt (M6 x 20mm)	9
②		Screws (M6 x 30mm)	9
③		Washers (M8.5/20 x 2mm)	9
④		Bolts (M6 x 45mm)	3
⑤		Bolts (M8 x 60mm)	9
⑥		Sleeve Nuts	3
⑦		Spring Washers M8	9
⑧		Washers (M6/16 x 2mm)	17
⑨		Allen Keys	2

Assembly Preparation

Before Beginning Assembly:



Read instructions, cover to cover.



Have 2 adults on hand for assembly.



Do not assemble on flooring or carpet.



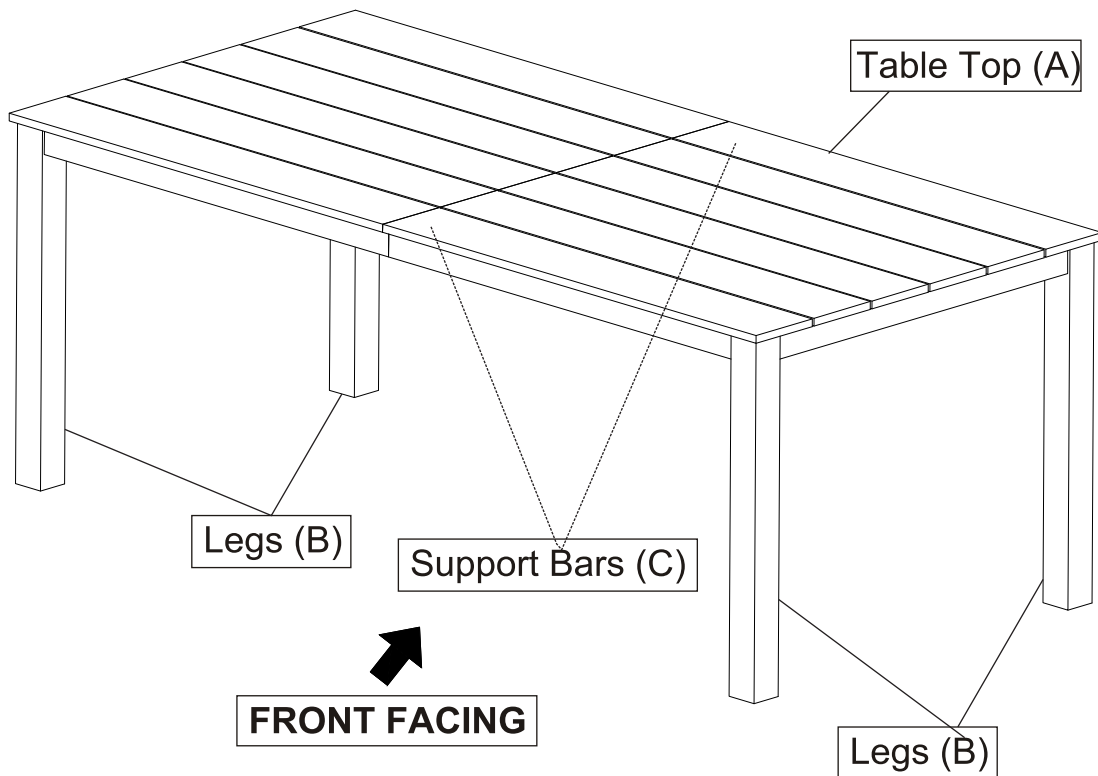
Assemble on a clean non-marring surface (packing foam).



Save all packaging until finished.

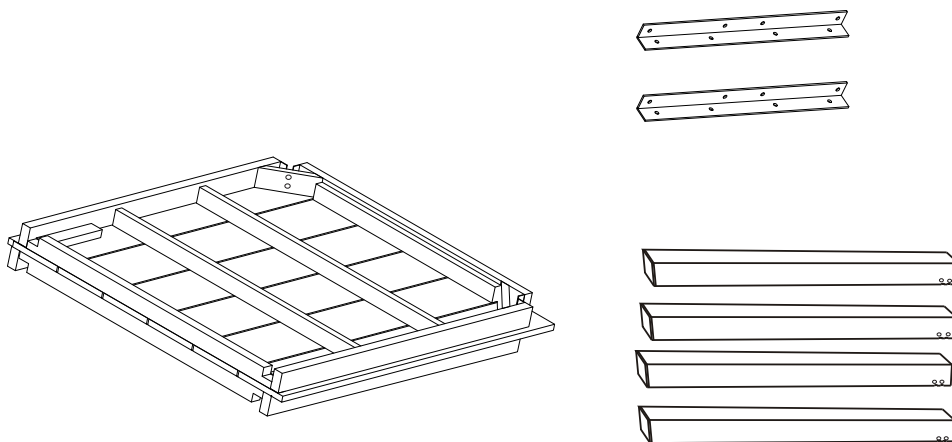
Assembly Steps

OVERVIEW



This Table has multiple parts and may require up to some 30 minutes to assemble. To give you an overview of the table, the above picture is to help you put the various parts into perspective. Please read through the instructions here below to familiarise the parts and steps before assembly.

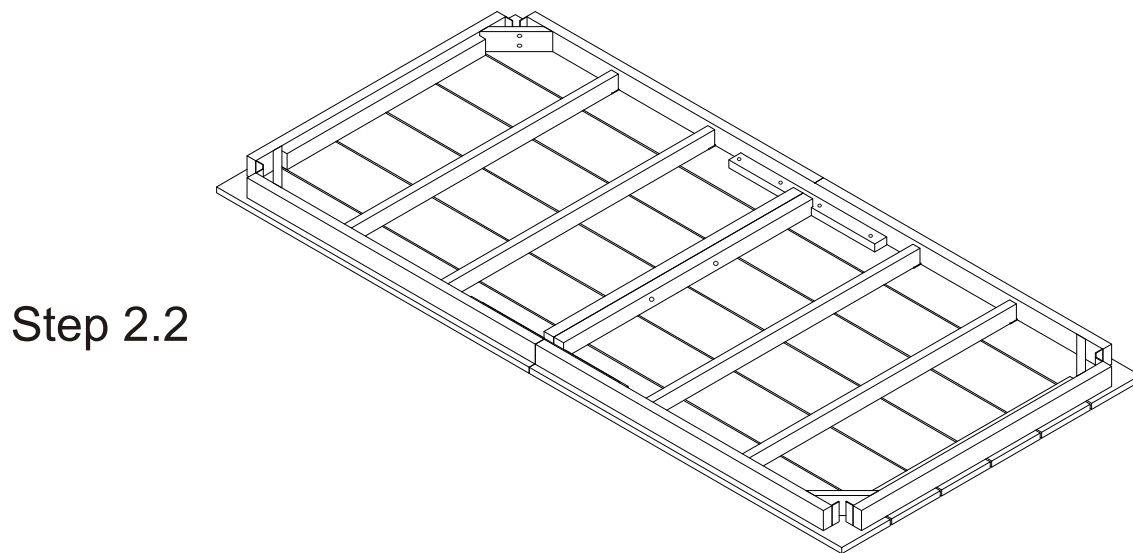
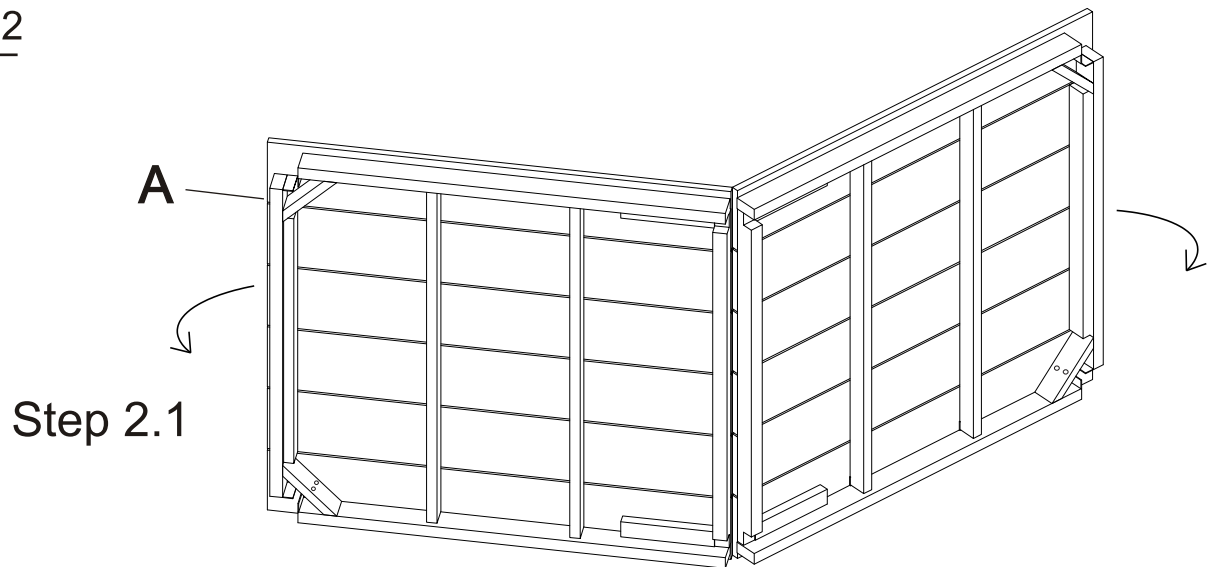
Step 1



Unpack and place all parts on a clean, non-marring surface.

Assembly Steps

Step 2



With the help from your partner

2.1: Place the Table Top (A) on one side as picture above. Slightly open the table top as the arrow.

2.2: Place the Table Top (A) with its underside skywards onto a clean, soft surface to avoid any scratches or damages to the product.