

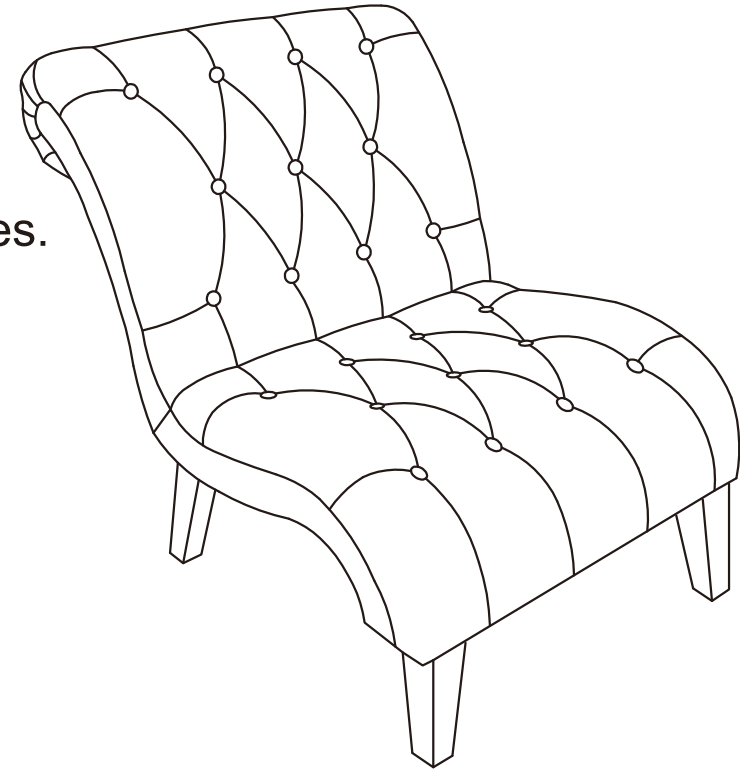


Assembly Instructions

 Before you throw the carton, please ensure that you have all the parts needed for the assembly.

 **Hardware Note:**
1. For each step please don't fully tighten all the screws at first, when they all align to the holes you can fully tighten them.
2. All the bolts should be assembled **vertically** to the holes.

 **Spare parts** can be found in the hardware box if you do not have enough bolts for assembly.



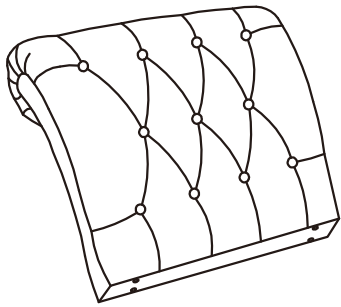
 THIS INSTRUCTION BOOKLET CONTAINS IMPORTANT SAFETY INFORMATION. PLEASE READ AND KEEP FOR FUTURE REFERENCE.

Assembly Instructions

Parts and Hardware

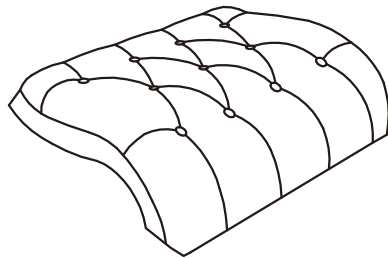
Please check to make sure you have all parts and hardware before starting assembly process.

A



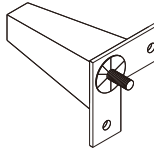
Back cushion 1pc

B

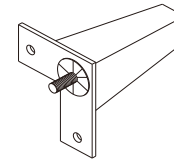


Seat cushion 1pc

C1
Left



C2
Right

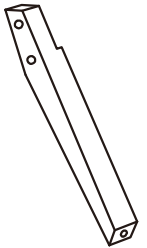


Front legs 2pcs

D1
Left



D2
Right



Back legs 2pcs

1



Long bolts
9pcs

2



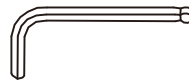
Spring washer
9pcs

3



Large flat washer
9pcs

4



Wrench
1pc

5



Short bolts
4pcs

6

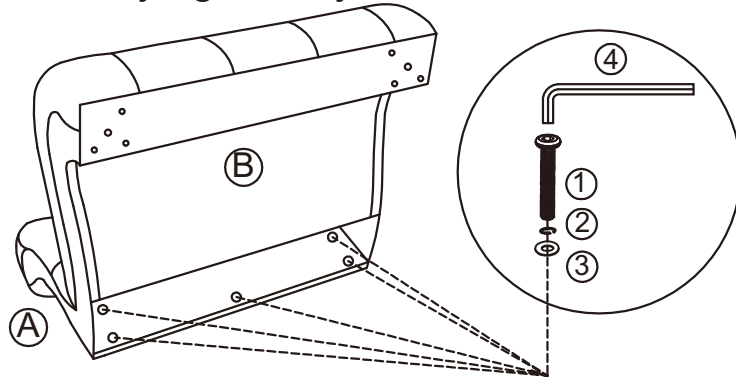


Small flat washer
4pcs

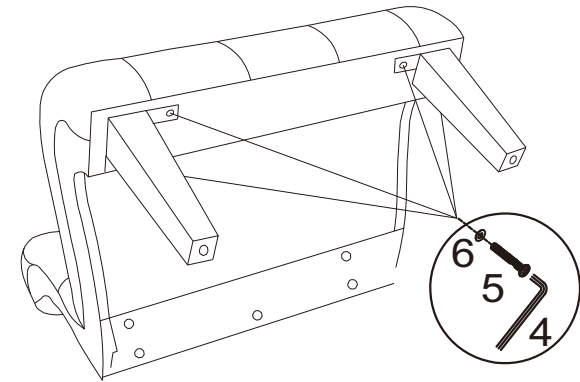
Assembly Instructions

Assembly Instructions

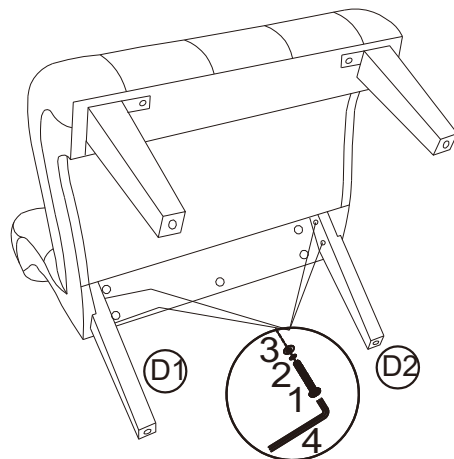
Step 1: Attach seat to back use bolts ①, spring washer ② and flat washer ③, half tighten the bolts one by one, when they all align to the holes, fully tighten by the short side of wrench.



Step 2: Attach front legs to the bottom of seat use bolts ⑤ and flat washers ⑥, tighten by the short side of wrench.



Step 3: Attach back legs to the bottom of seat use bolts ① washer ② and flat washer ③, tighten by the short side of wrench.



Step 4: Adjust 2 front legs by foot nails until the sofa is steady.

