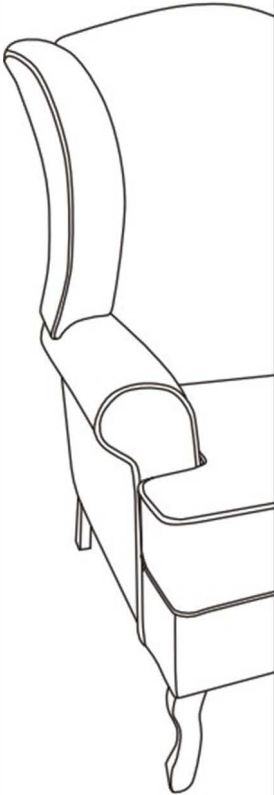


Owner Manual



WARRANTY

We strive to offer high quality product and we also try our best to satisfy each customer that order from us, no matter on products or services as needed. Each customer receives a record of their order, such as the order number or item receipt. For any items that are out of warranty period, you may still be able to purchase the replacement parts from our company if they are available.



MAINTENANCE AND WARNING

Please read the manual thoroughly
before you start installing.

Please keep the product away from
sharp object.

Packaging and small parts may have
chocking hazard, please keep them away
from children and pets.

Please clean the product according to each
clean code, check the product description
for more information.

Please keep the product away from
fire.

If you have any other questions, please
contact us, we will be glad to help you out.

If the product is placed under direct
sunlight, the pattern or color might fade
away overtime.

Check the product periodically to make
sure everything is secured and tightened.


Always use proper tools for installation.

Do not jump on the product.



Around 35 min

PRODUCT DESCRIPTION



Classic Style: Wingback of unique appearance and textured fabric create vintage exquisite, extremely comfortable and elegant.

Sturdy Support: Wooden of two straight and two curved legs support with stronger, add artistic for space.

Captivating Design: Rolled arm expand space and adds to captivating details, ensuring ultimate coziness.

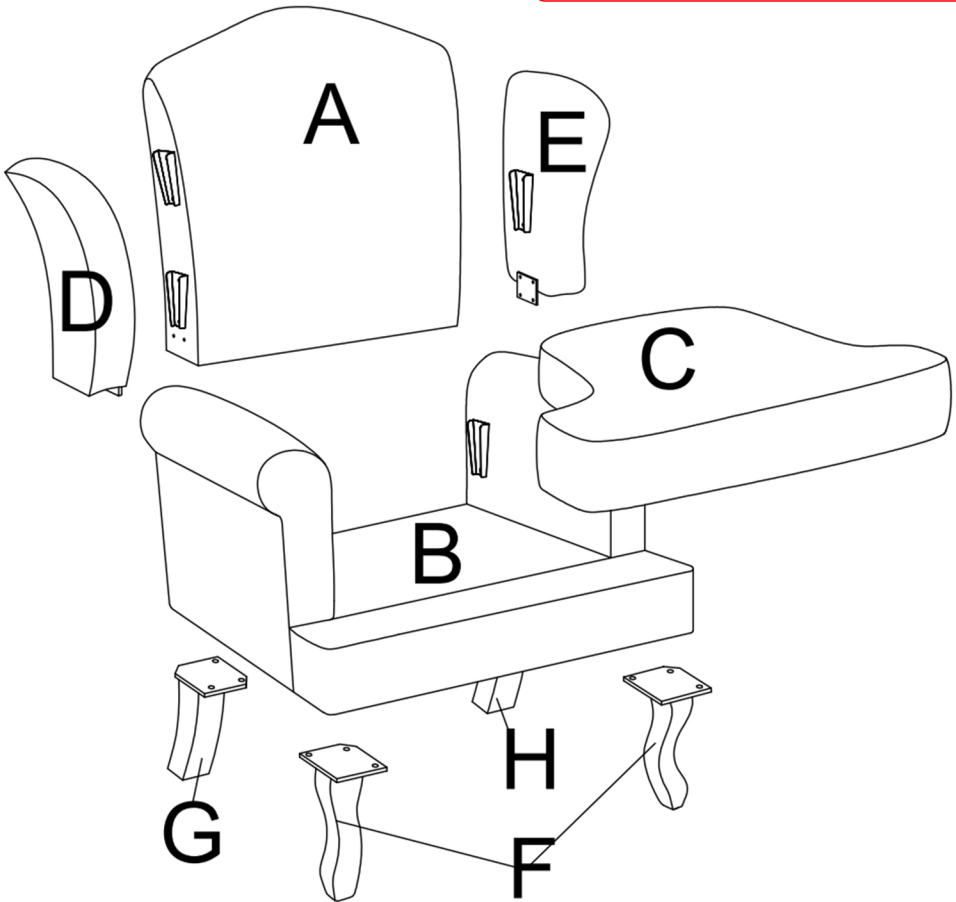
25.4" height and perfect curvature provide more support, 5.7" thicker cushion with 1.7 lbs./cu.ft foam, super soft, let you fully enjoy.

Equipped with a clear to assembly instruction, simple construction of chair, you can assemble this armchairs set effortlessly.

EXPLODED VIEW

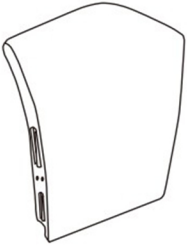


The product's left and right are determined by sitting posture



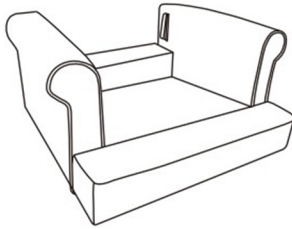
PARTS

A*1



backrest

B*1



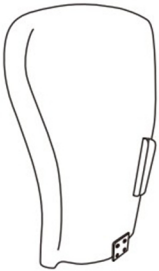
seat frame

C*1



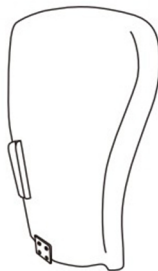
seat cushion

D*1



Right backrest ear

E*1



Left backrest ear

F*2



front leg

G*1 (R)



back leg

H*1 (L)



back leg

HARDWARE

TOOL LIST

NOTE: Designated with (★) We provide additional spare parts in the hardware package

①*12

M6*20mm



★ Bolt

②*4

M6*25mm



★ Bolt

③*1

M6

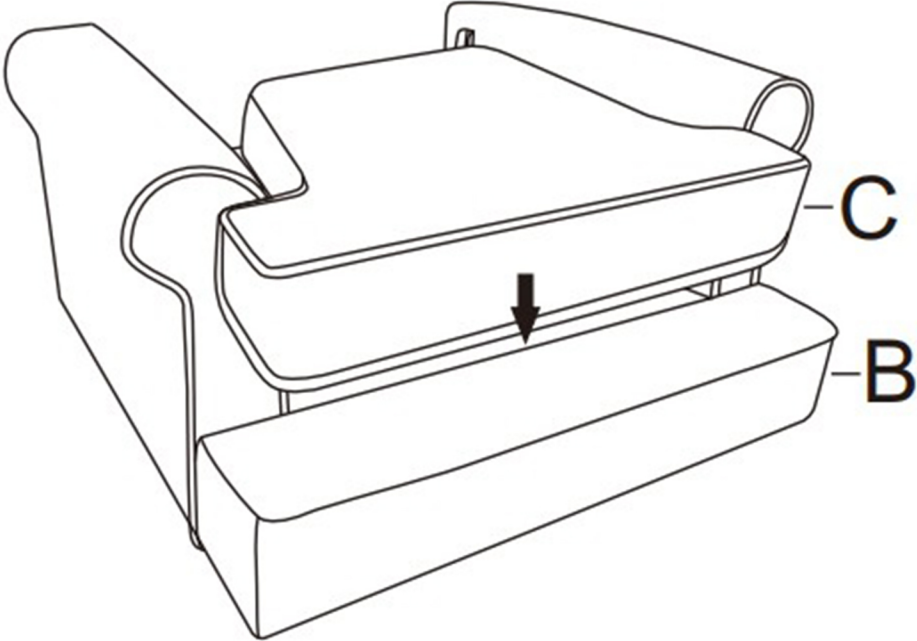


Allen Key

Please make sure all hardware&packing material fitting the list. Especially some small accessories may be missing during transportation. Please contact us if you have any question.

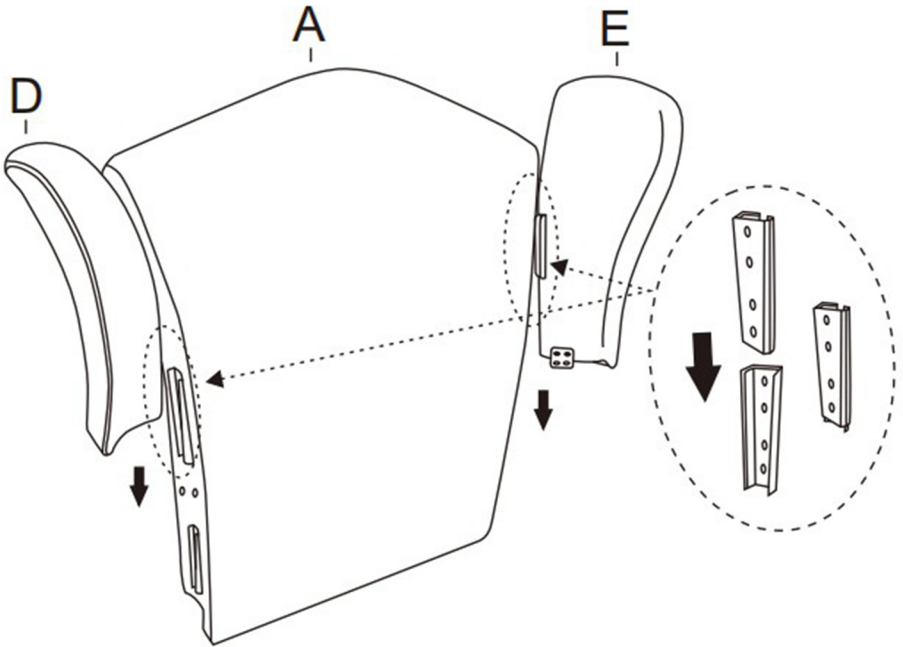
step 1

Push seat cushion (C) down to the seat frame (B) as shown.



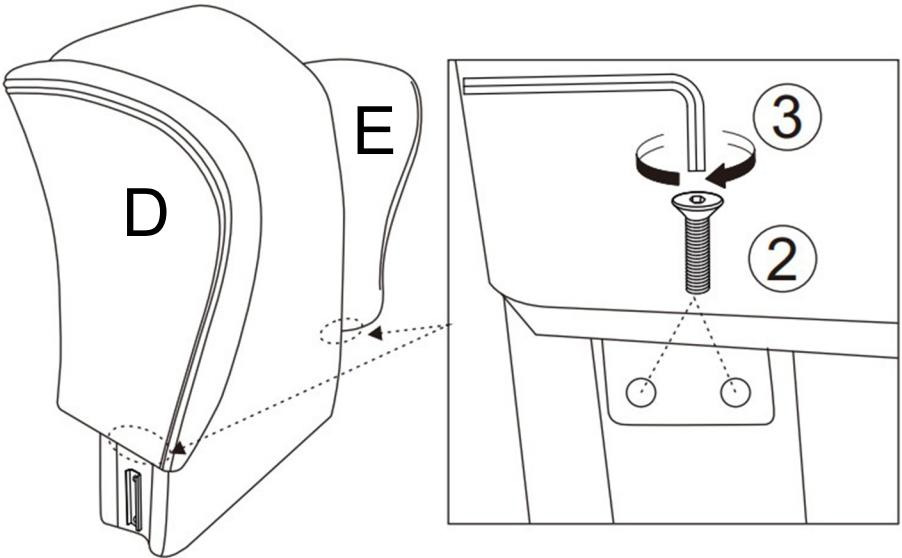
step 2

Install Left backrest ear (D) and Right backrest ear (E) onto the backrest (A) by inserting the connectors into the slots on both sides. Make sure they are all aligned before push down.



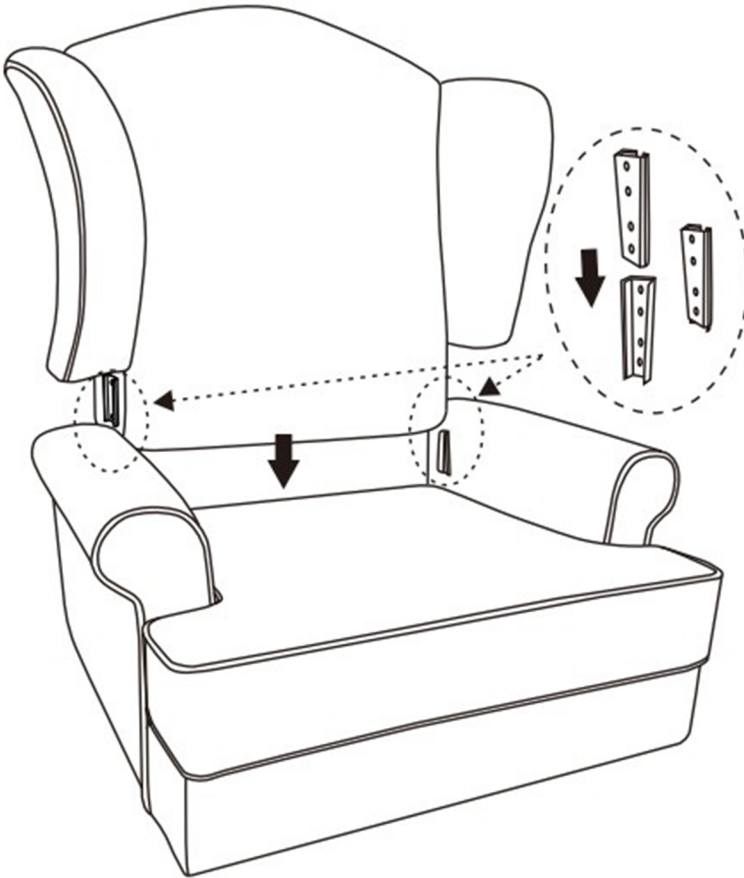
step 3

Fix the backrest ears (D & E) by using the bolts (2) and allen wrench (3) provided. Make sure both of the ears are tightened before next step.



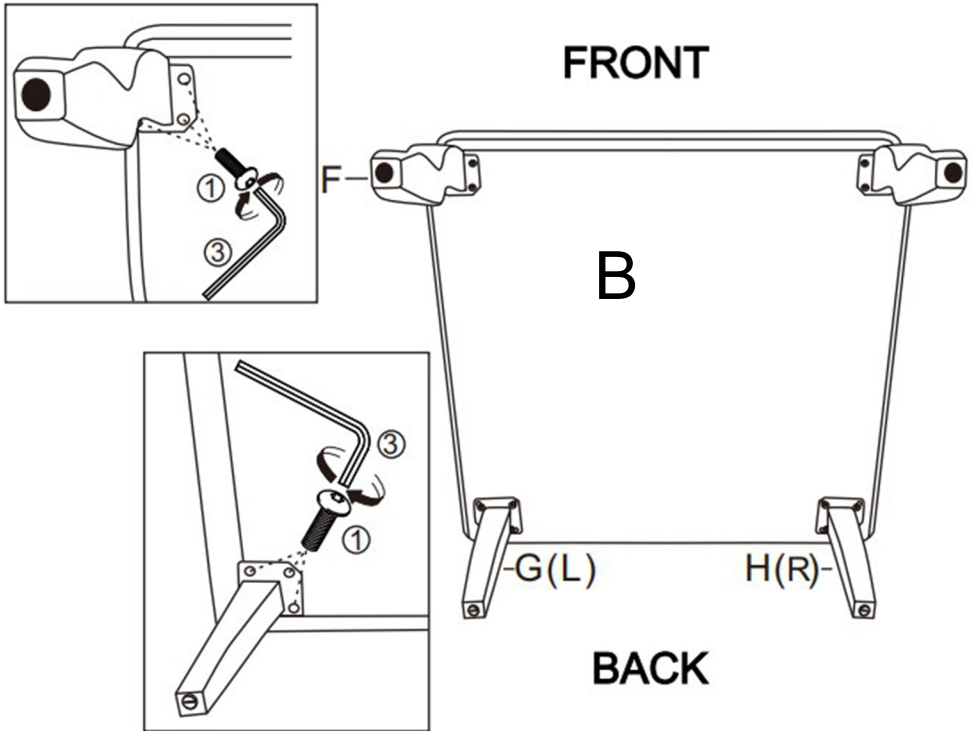
step 4

Attach backrest part with the seat frame (B) by inserting the slots on both sides as shown, make sure both sides are aligned before fully pushing down.



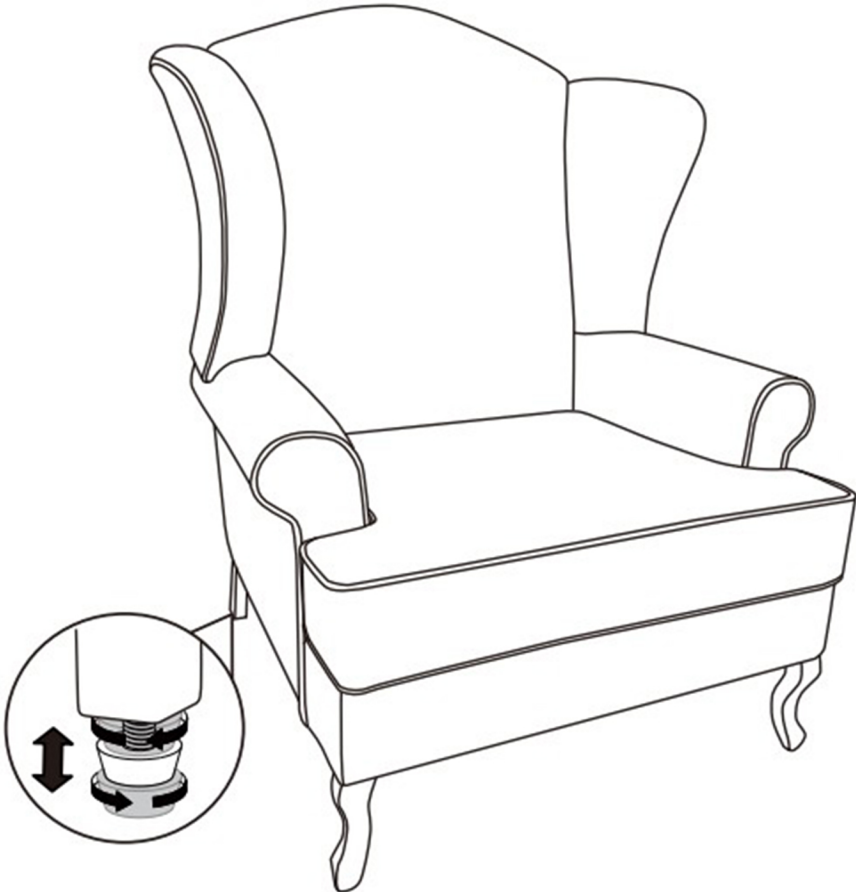
step 5

Install front legs (F) and back legs (G & H) onto the back of the seat frame (B). Using the allen wrench (3) provided to tighten the bolts (1) for the legs.



step 6

The back legs (G & H) has height adjustment function, simply twist the leveler on the tips of the back legs to adjust. This function allows the chair to be able to place on ground that is not flat without shaking, and also they can protect the chair legs.



step 7

Congradulations! You have complete the installation! Please enjoy the chair, and thank you again for choosing our product!

