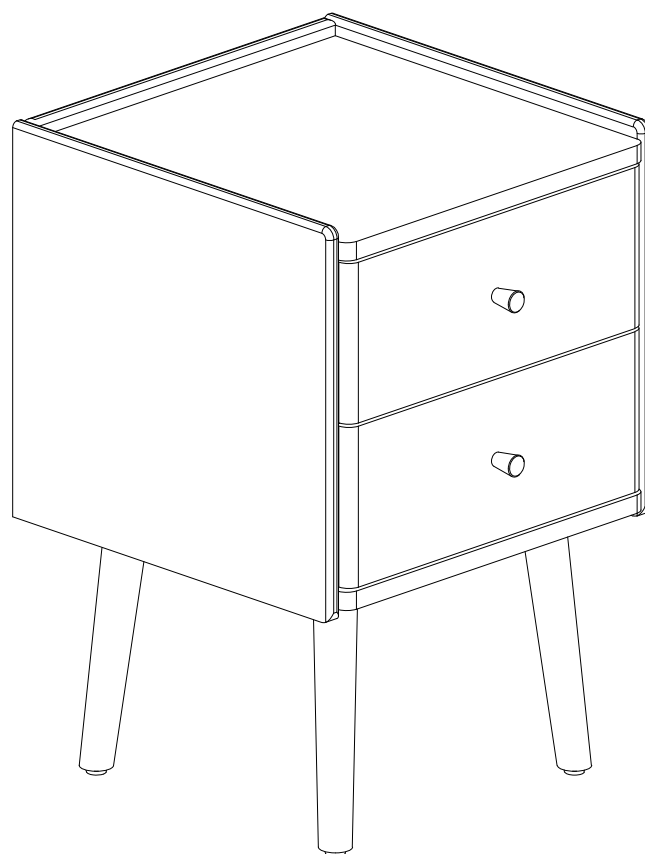
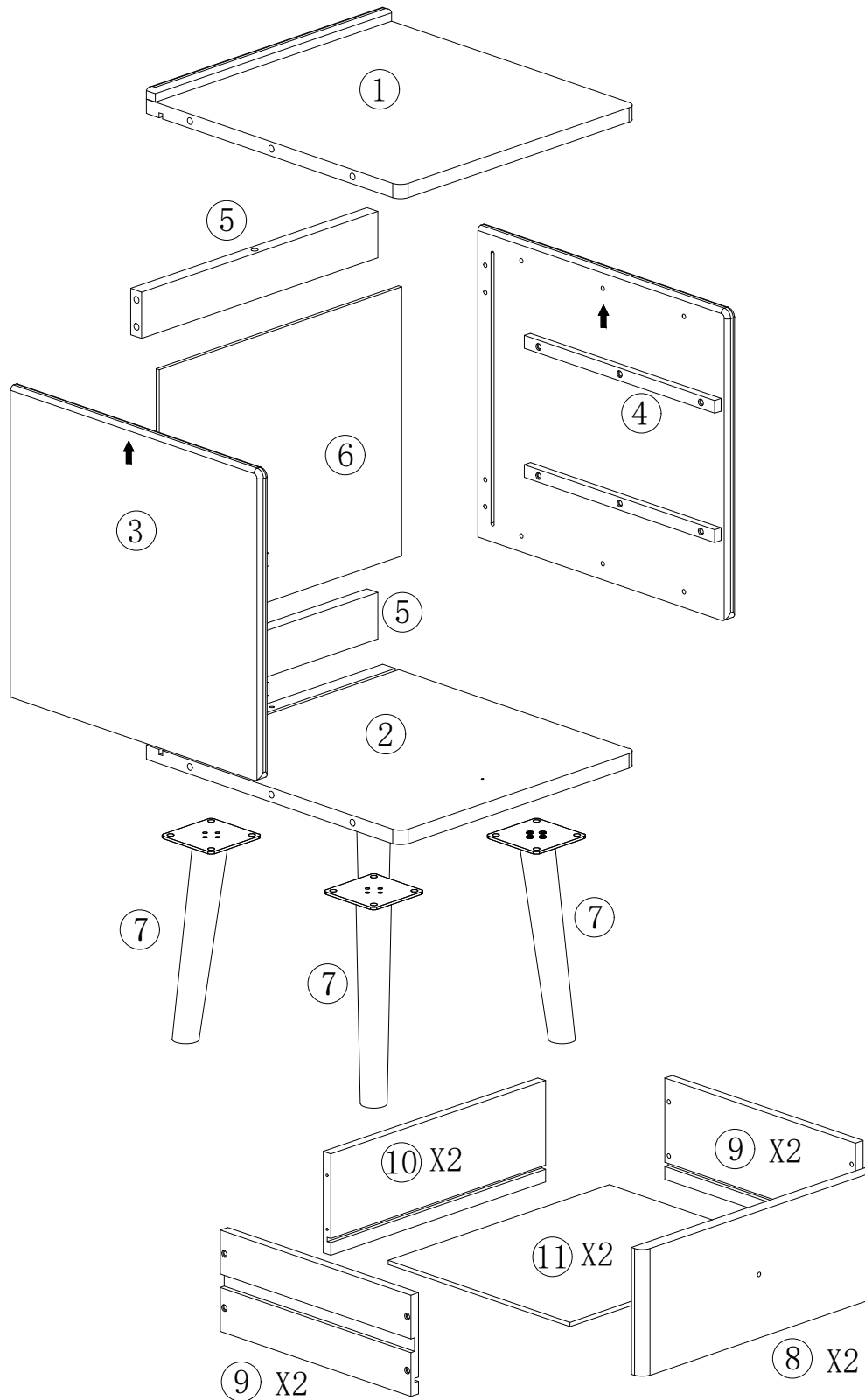


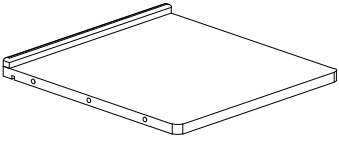
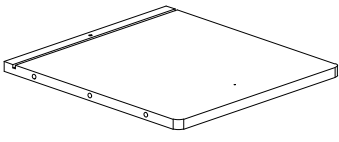
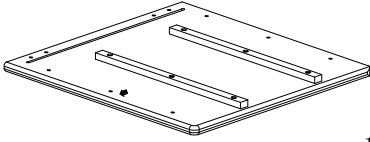
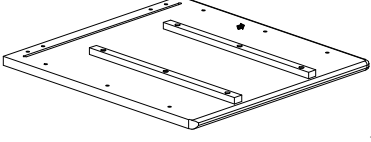
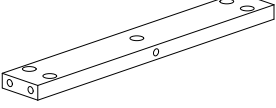
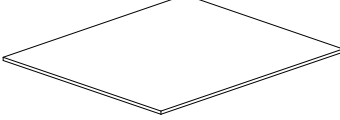
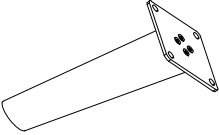
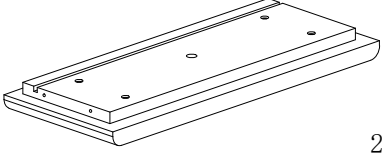
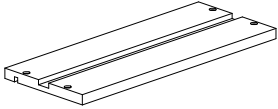
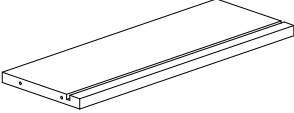
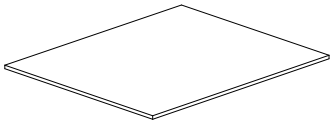
# Two Drawer Nightstand



# Installation Diagram



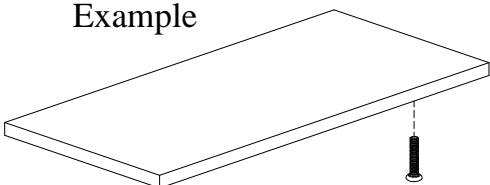
# Parts List

<p>①</p>  <p>1PC</p>	<p>②</p>  <p>1PC</p>	<p>③</p>  <p>1PC</p>
<p>④</p>  <p>1PC</p>	<p>⑤</p>  <p>2PCS</p>	<p>⑥</p>  <p>1PC</p>
<p>⑦</p>  <p>4PCS</p>	<p>⑧</p>  <p>2PCS</p>	<p>⑨</p>  <p>4PCS</p>
<p>⑩</p>  <p>2PCS</p>	<p>⑪</p>  <p>2PCS</p>	

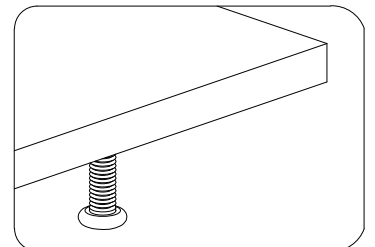
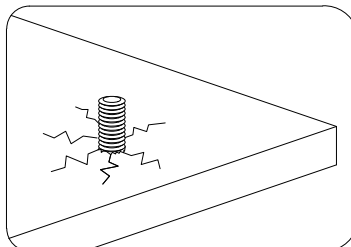
## NOTE

Using the right screws can prevent damage to these components

Example



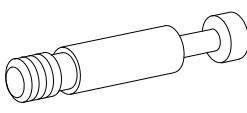

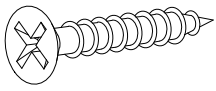
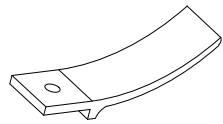
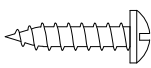
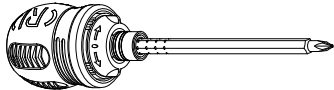
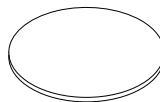
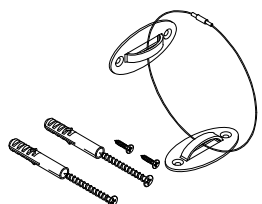
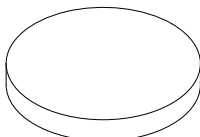
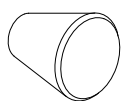
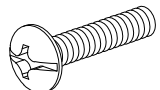
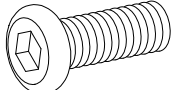
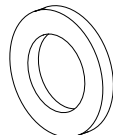
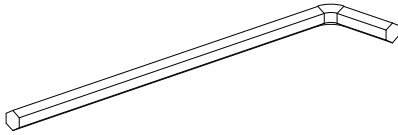
Mistake: Screws can cause boards to split



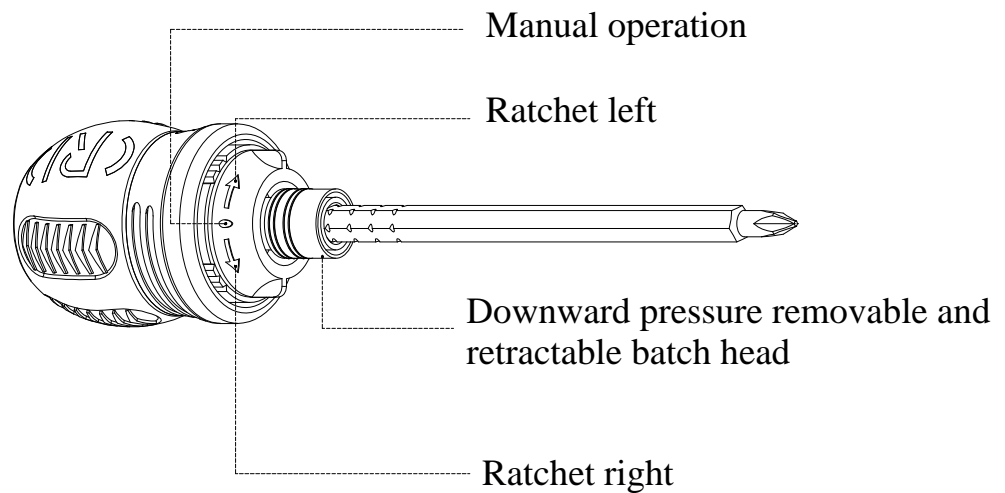
Correct: screws are the correct size

Specification Name: Two Drawers Nightstand

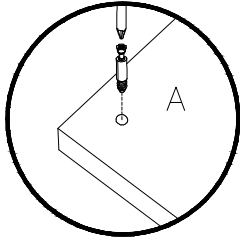
# Hardware List

<p><b>A</b></p>  <p>L=40MM                      22+2PCS</p>	<p><b>B</b></p>  <p>15*11MM                      22+2PCS</p>	<p><b>C</b></p>  <p>#8*30MM                      16+1PCS</p>
<p><b>D</b></p>  <p>L=50MM                      2PCS</p>	<p><b>E</b></p>  <p>#3.5*15MM                      2PCS</p>	<p><b>F</b></p>  <p>M6*136MM                      1PC</p>
<p><b>G</b></p>  <p>20MM                      10+1PCS</p>	<p><b>H</b></p>  <p>1PC</p>	<p><b>I</b></p>  <p>30*3MM                      4PCS</p>
<p><b>J</b></p>  <p>20*23MM                      2PCS</p>	<p><b>K</b></p>  <p>M4*32MM                      2PCS</p>	<p><b>L</b></p>  <p>M6*15MM                      16+2PCS</p>
<p><b>M</b></p>  <p>M6*13MM                      16+2PCS</p>	<p><b>N</b></p>  <p>M4*100MM                      1PC</p>	

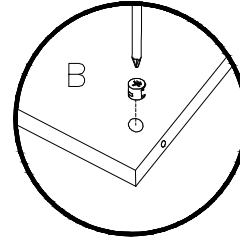
## All-in-one Ratchet Screwdriver Instruction Manual



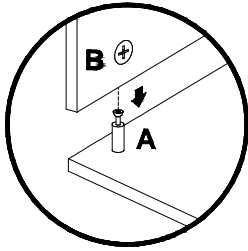
# How to use the cam lock system



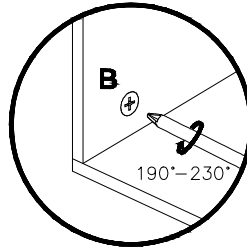
**1. Screw cam bolt into panel**



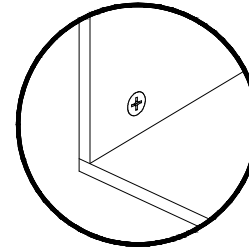
**2. Push cam into panel - arrow feature on cam top points to panel edge**



**3. Align cam bolt(s) with cam(s) and insert all the way into cross-bored hole(s)**

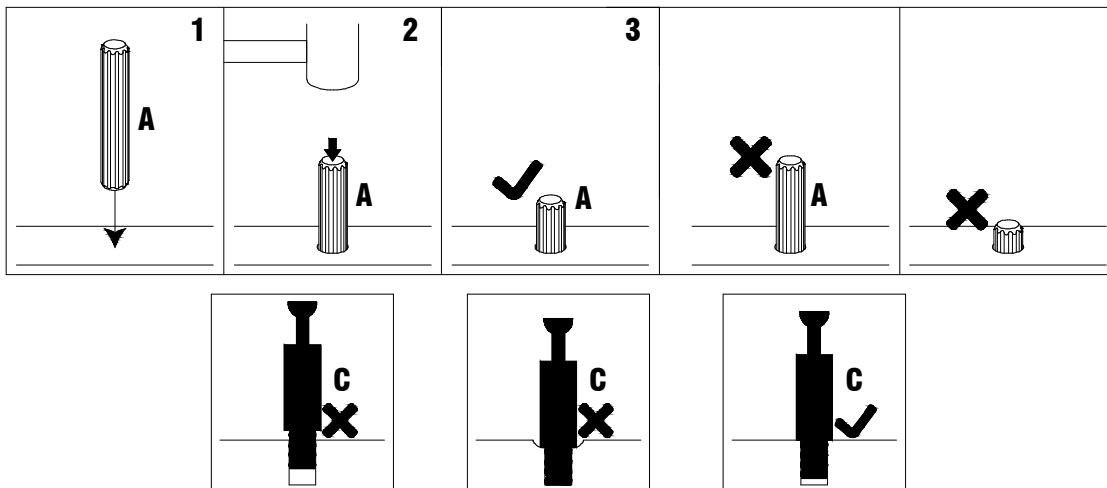


**4. Rotate cam(s) clockwise 190°-230° to lock panels together**



**5. Panels should be tight against each other and connection should be rigid**

**Insert the wood dowel (A) at least half way by tapping lightly with a rubber mallet, IF NECESSARY**

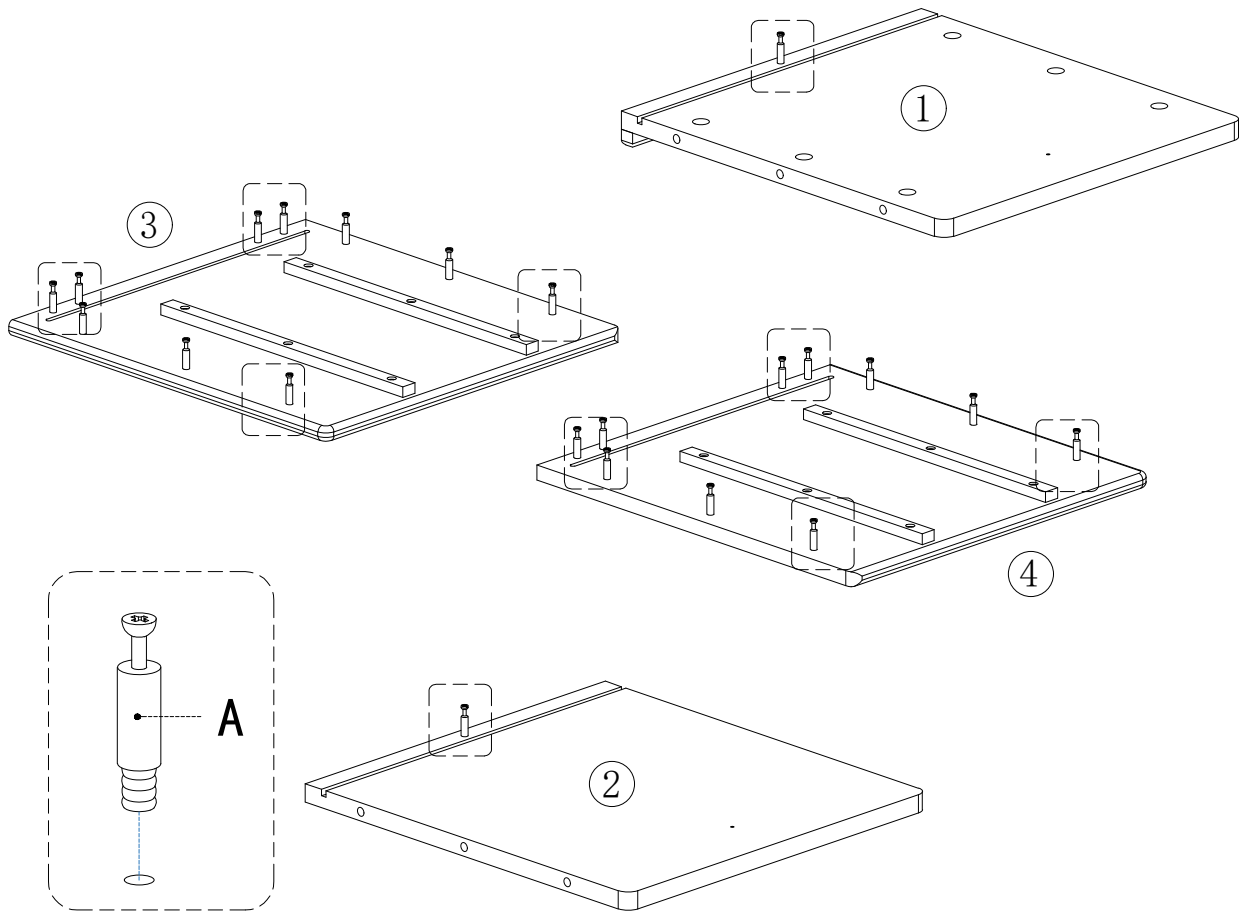


## **⚠ WARNING**



- Unit must be placed on a level surface or leveled with included hardware (when applicable).
- Do not sit or stand on or allow children to climb, sit or stand on the assembled product.
- For safety reasons, it is imperative that this unit be mounted to the wall.
- Do not use without installing the tip restraint.
- Unit can tip over causing severe injury or death.
- Do not exceed the recommended weight limits.
- Evenly distribute the weight on each level and always keep the heavier loads on the bottom.
- Before cutting, drilling or hammering into any wall or floor surface, verify the location of electrical, plumbing and gas lines. Cutting may cause serious injury.

# Specification Name: Two Drawers Nightstand

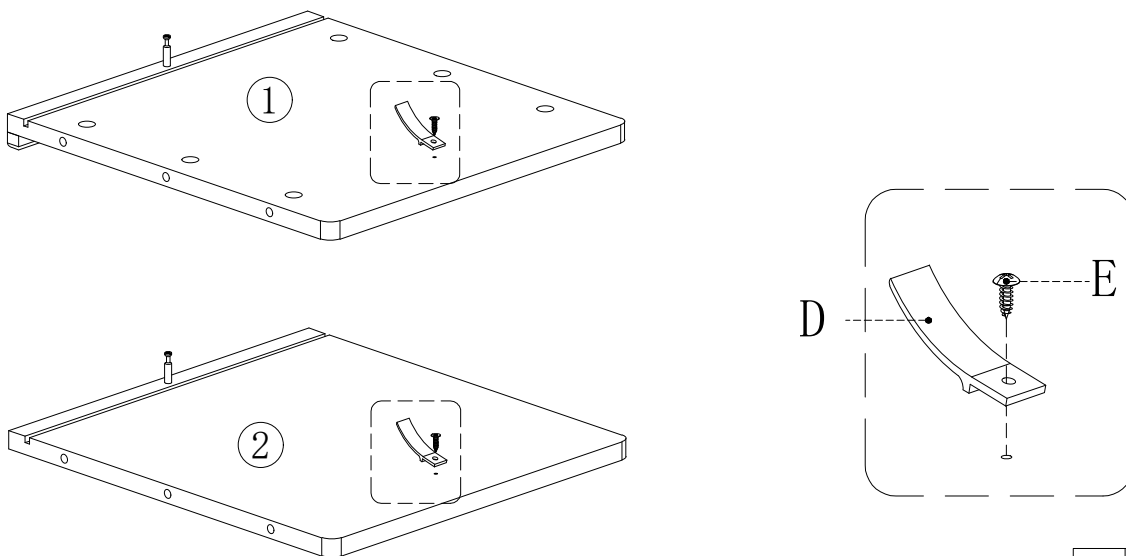
## Step 1




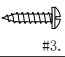

Attach hardware A to part 1/2/3/4 with tool F.

A	 L=40MM	22PCS
F	 M6*1.36MM	1PC

## Step 2

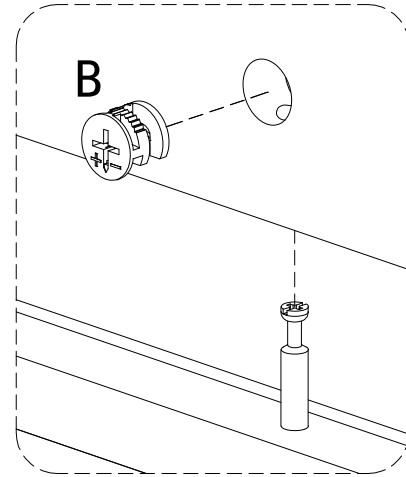
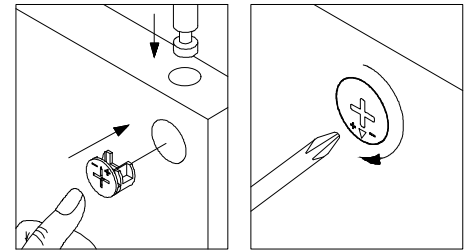
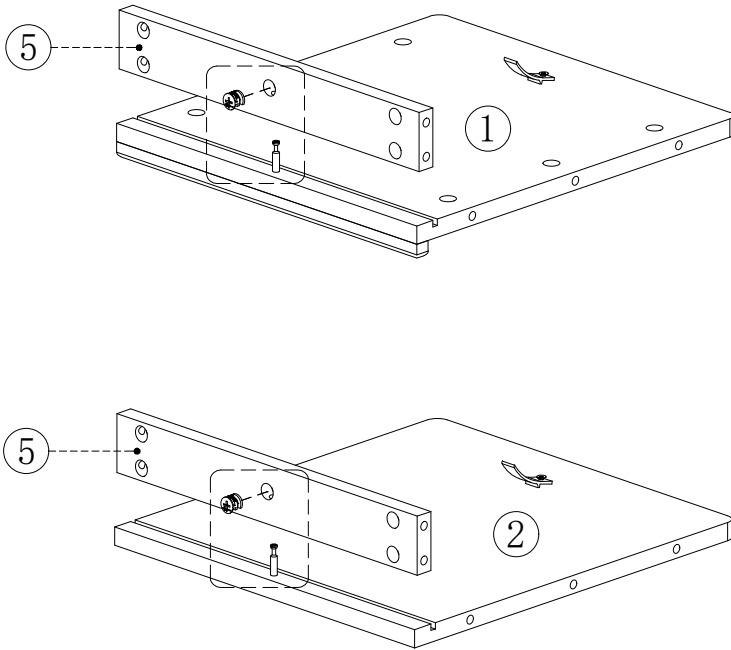


Attach hardware D/E to 1/2 part with tool F.



D	 L=50MM	2PCS
E	 #3. 5*1.5MM	2PCS
F	 M6*1.36MM	1PC

# Specification Name: Two Drawers Nightstand

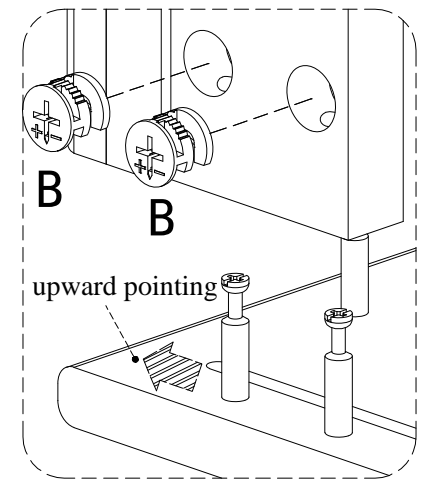
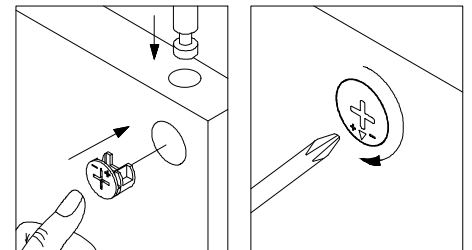
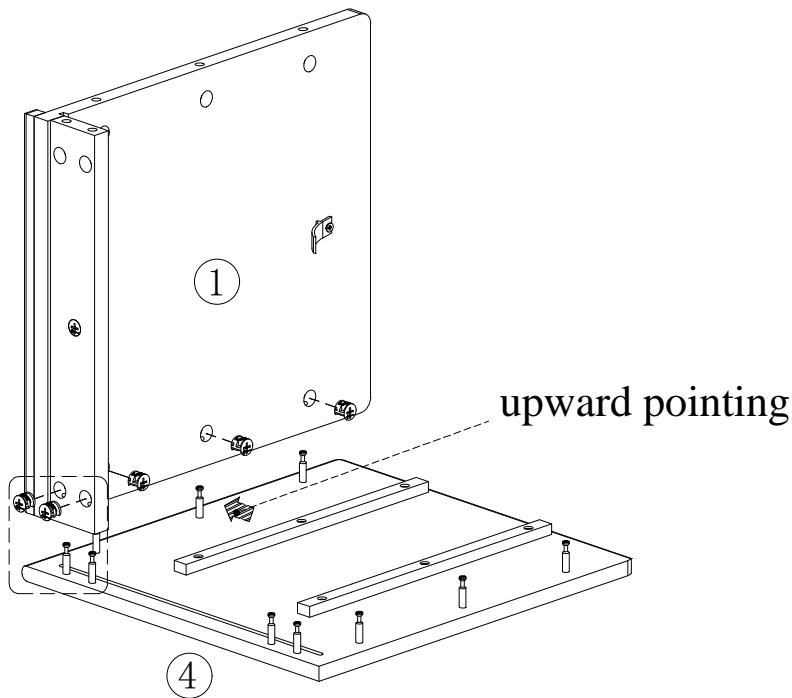
## Step 3





Attach parts 1/5;2/5 together with hardware B/F.

<b>B</b>		15*9MM	2PCS
<b>F</b>		M6*136MM	1PC

## Step 4

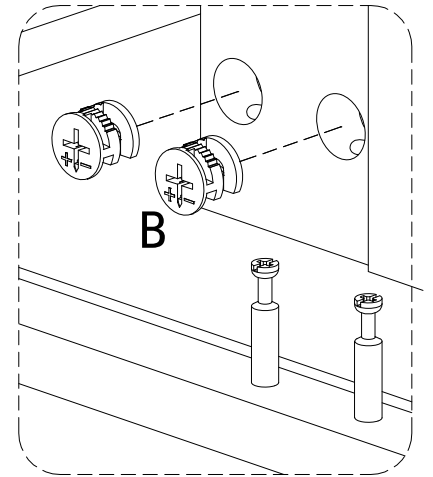
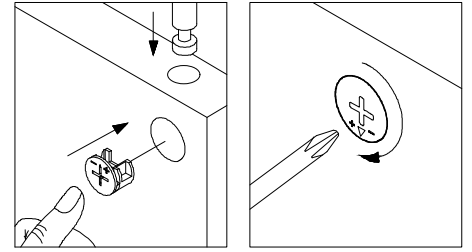
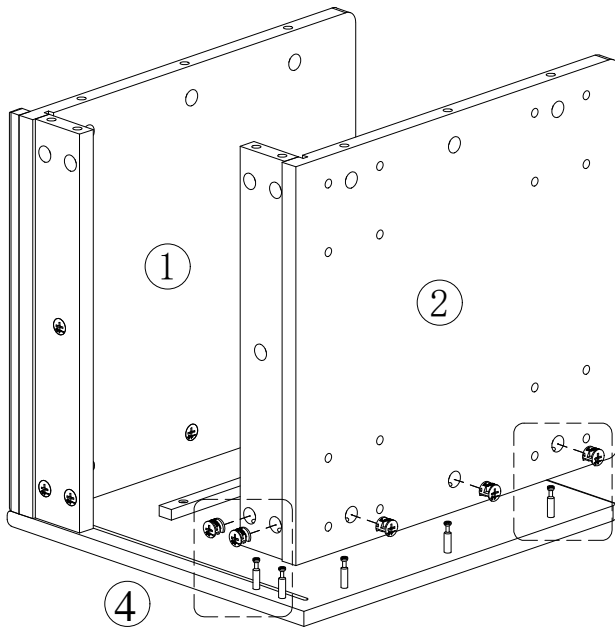


Attach the parts grouped in part Step3 to part 4 with hardware B/F.



<b>B</b>		15*9MM	5PCS
<b>F</b>		M6*136MM	1PC

# Specification Name: Two Drawers Nightstand

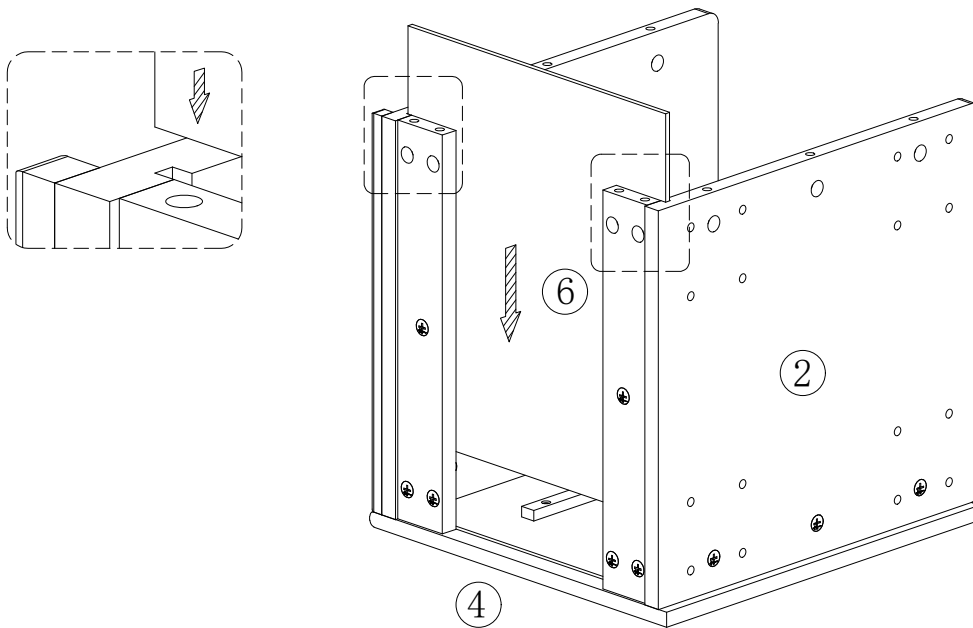
## Step 5



Attach the parts grouped in part Step4 to part 2 with hardware B/F.

B	 15*9MM	5PCS
F	 M6*136MM	1PC

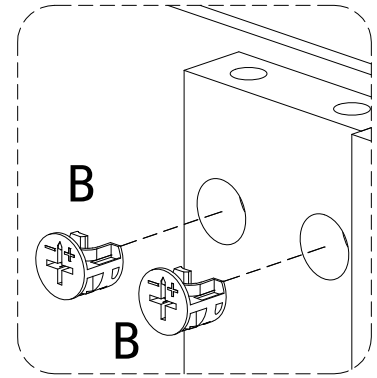
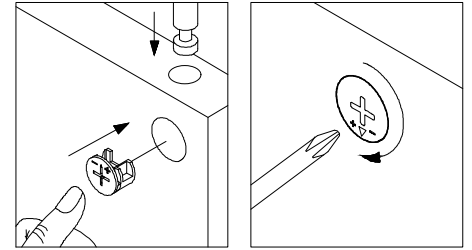
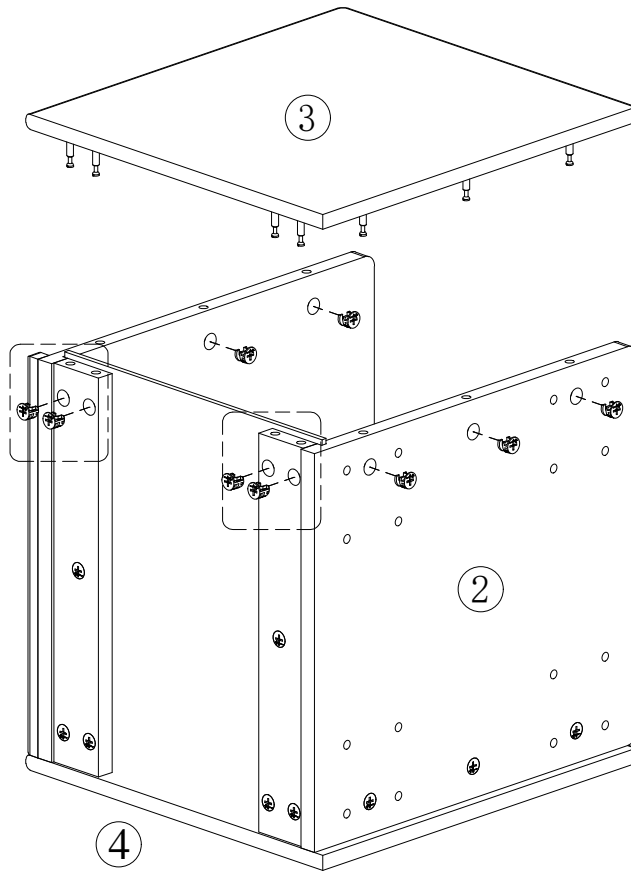
## Step 6




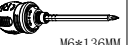
Insert part 6 into the parts grouped in Step5.

# Specification Name: Two Drawers Nightstand

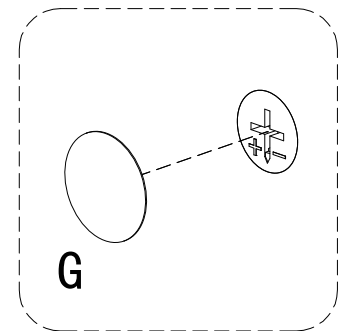
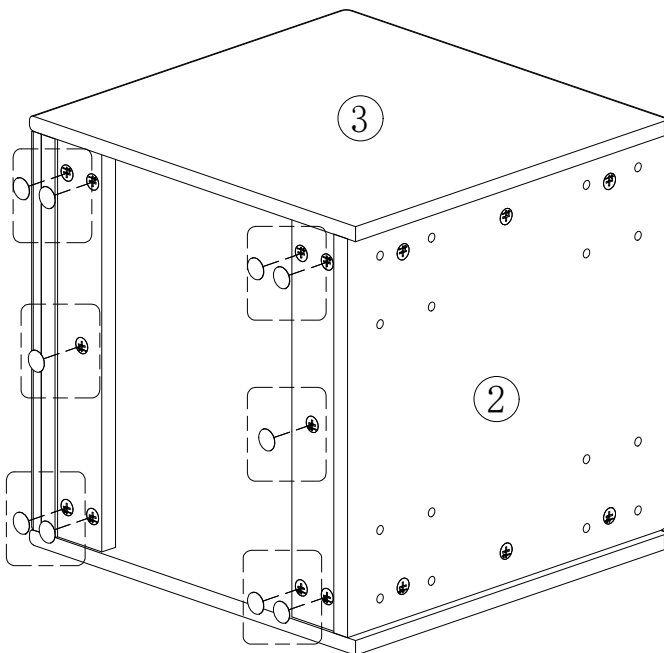
## Step 7



Assemble part 3 and Step6 grouped parts with hardware B/F.

B		15*9MM	10PCS
F		M6*136MM	1PC

## Step 8

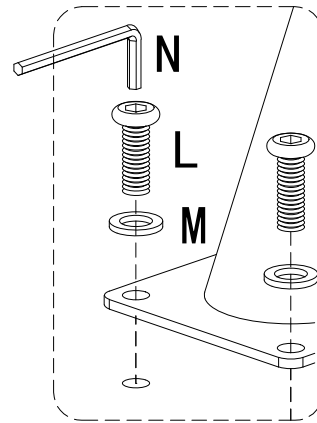
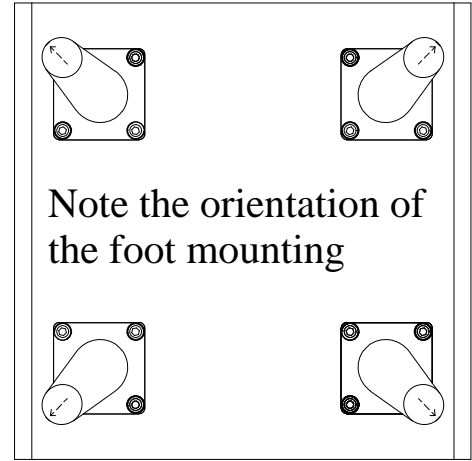
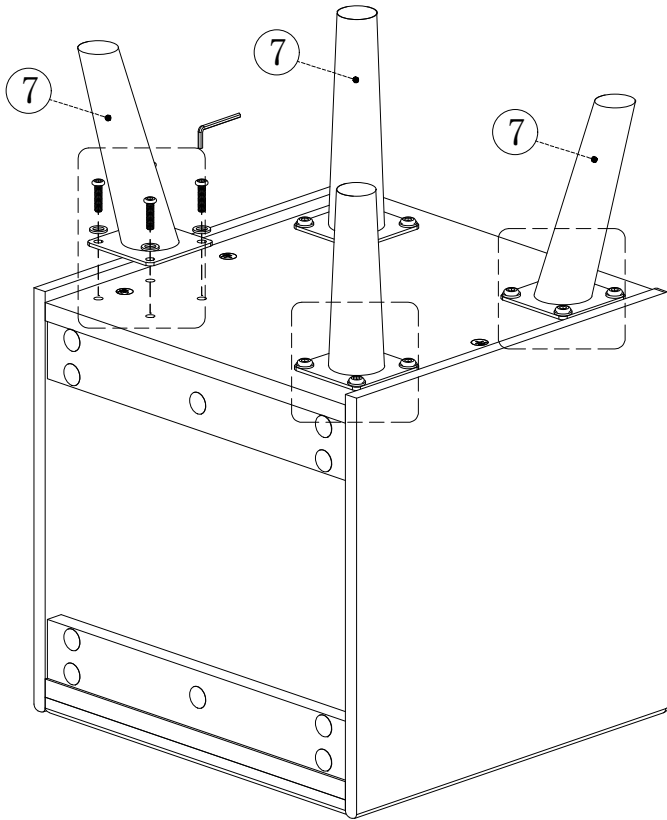





Cover the holes in the Step6 grouped parts as shown with hardware G.

G		20MM	10PCS
---	---	------	-------

# Specification Name: Two Drawers Nightstand

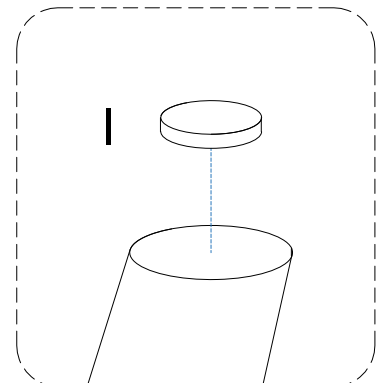
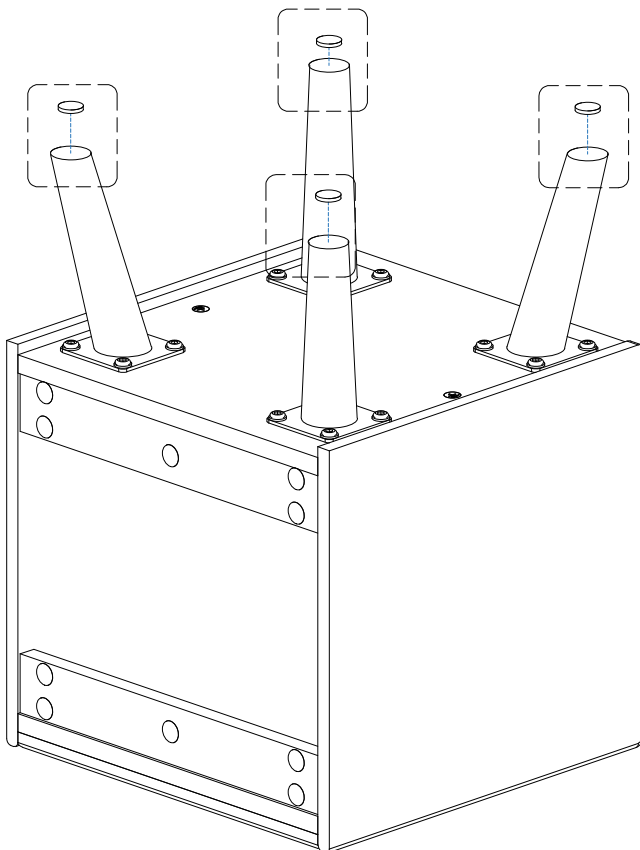
## Step 9




L	 M6*12MM	16PCS
M	 M6*13MM	16PCS
N	 M4*100MM	1PC

Assemble parts 7 and Step8 with hardware L/M/N.

## Step 10



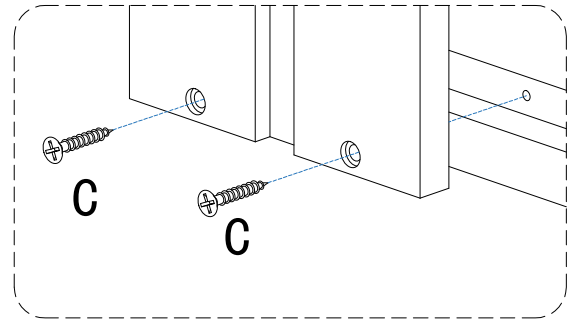
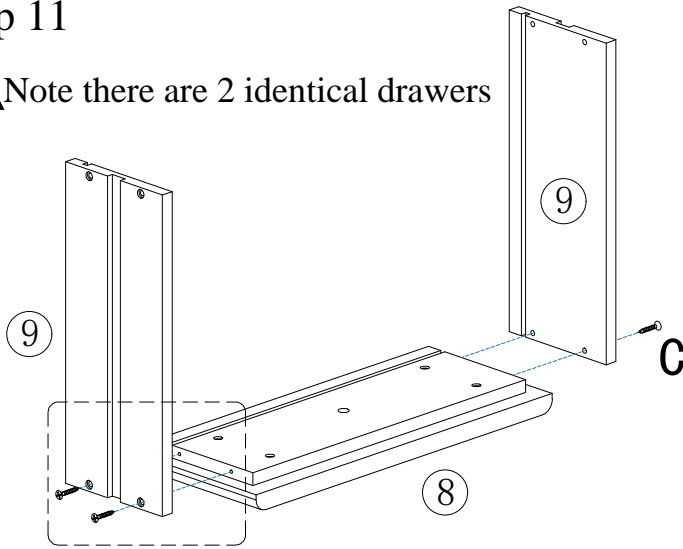
Glue hardware I to the bottom of part #7.

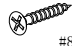

I	 25*3MM	4PCS
---	---	------

# Specification Name: Two Drawers Nightstand

## Step 11

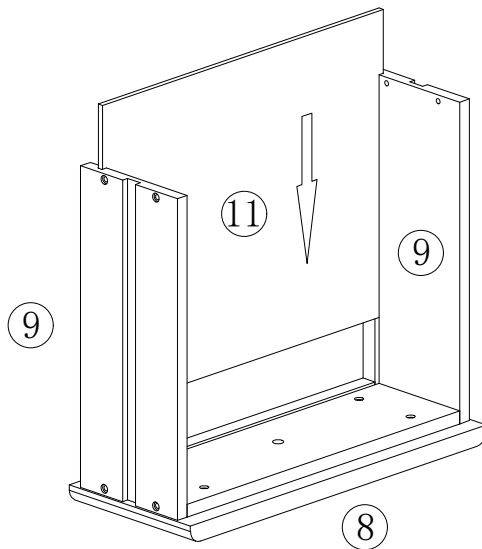
▲ Note there are 2 identical drawers



C		8PCS
F		1PC

Attach parts 8/9 together with hardware C/F

## Step 12

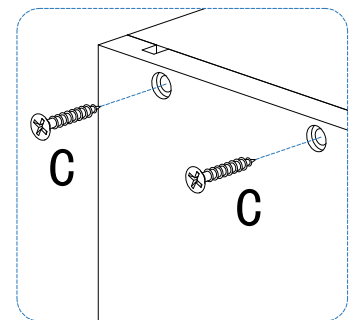
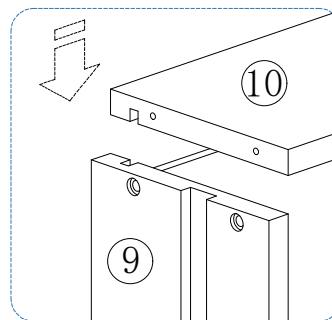
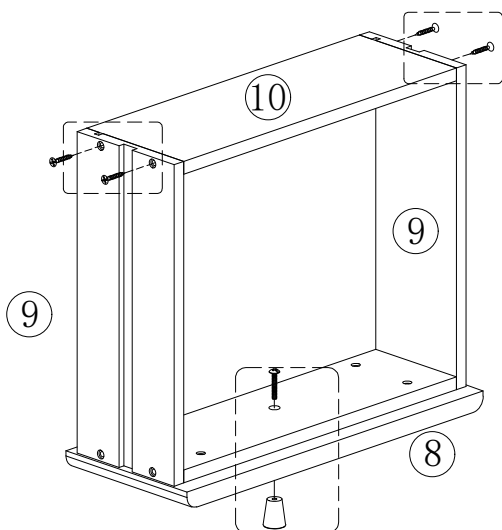


▲ Note there are 2 identical drawers.

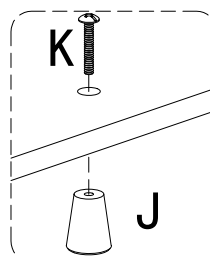
Insert part 11 into the grouped parts of Step 11.





## Step 13

▲ Note there are 2 identical drawers



Attach parts 9/10 together with hardware C/F

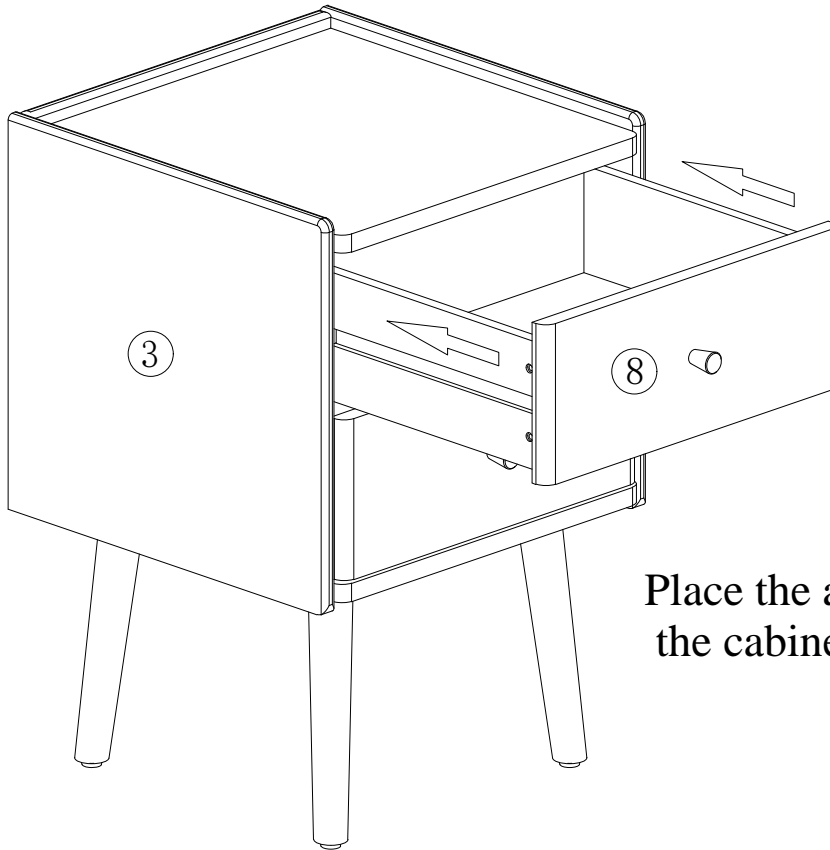


C		8PCS
F		1PC
J		2PCS
K		2PCS

Assembling Hardware J/K on Part 8

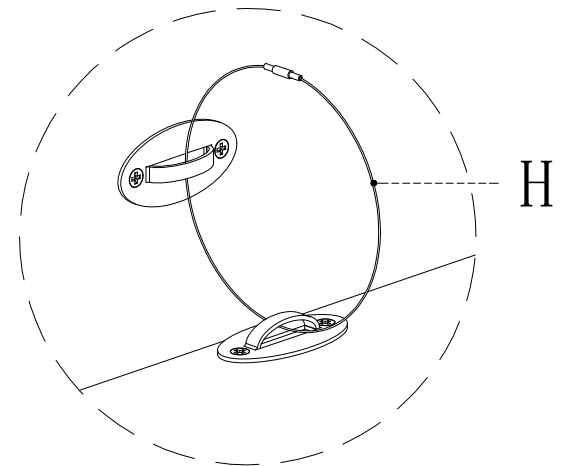
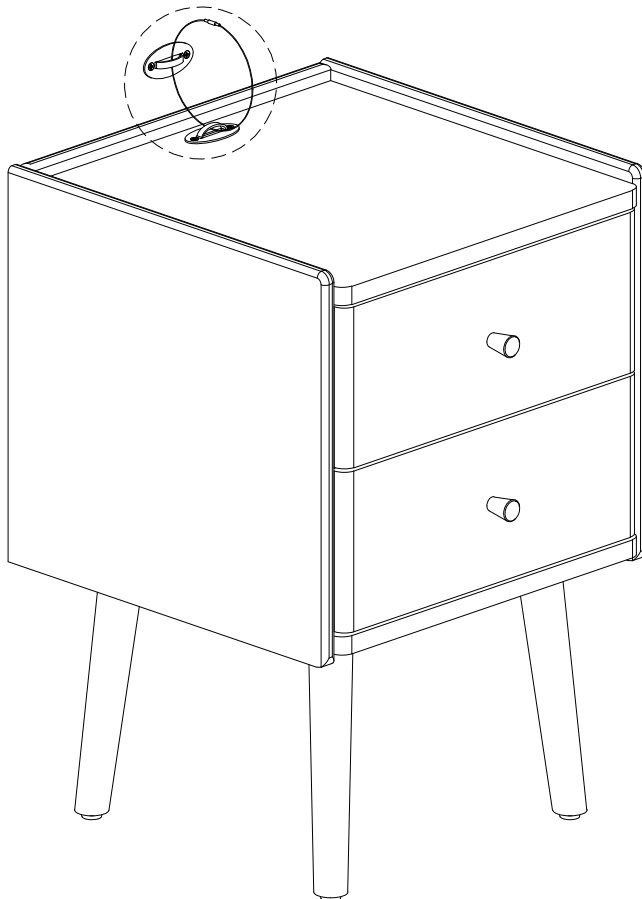
Specification Name: Two Drawers Nightstand

Step 14



Place the assembled drawers into the cabinet assembled in Step 10.

Step 15



Secure the Step 14 grouped pieces to the wall with Hardware H.