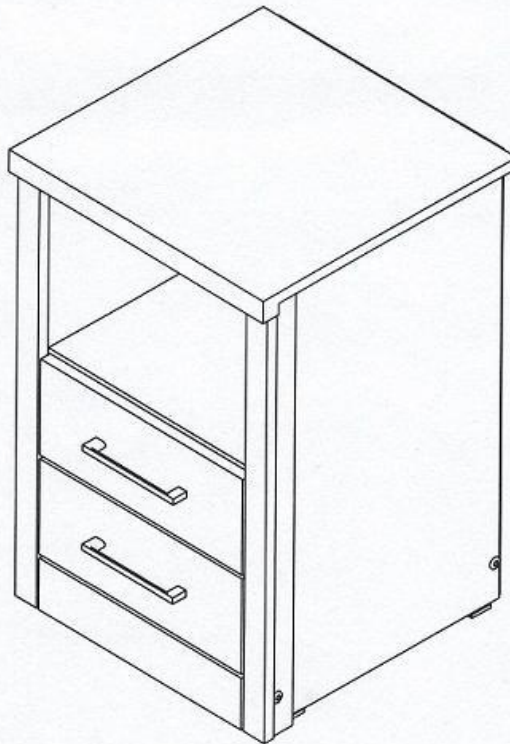


2 DRAWER 1 SHELF BEDSIDE CABINET ASSEMBLY INSTRUCTIONS



IMPORTANT

PLEASE READ BEFORE YOU CONTINUE FURTHER

THE PRODUCT YOU HAVE PURCHASED WILL GIVE YOU MANY YEARS OF SERVICE IF YOU FOLLOW THE GUIDELINES FOR ITS SAFE ASSEMBLY AND PERIODIC MAINTENANCE AND CLEANING.

ASSEMBLE ON A SOFT CLEAN SURFACE.

DO NOT USE ANY TOOLS OTHER THAN THOSE SHOWN.

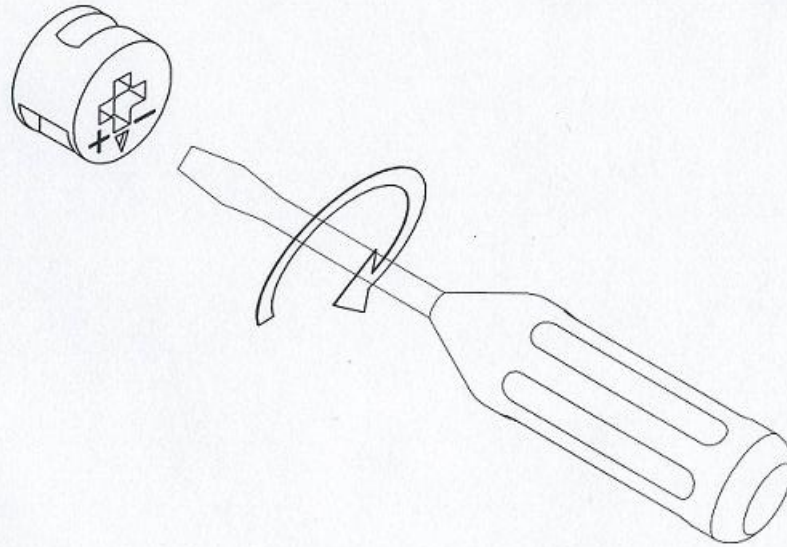
ANY SPANNERS OR ALLEN KEYS REQUIRED ARE INCLUDED WITH THE FITTINGS KIT.

DO NOT FOR ANY REASON USE A POWER TOOL TO ASSEMBLE THIS PRODUCT. ITS USE WILL INVALIDATE ANY CLAIM YOU MAY HAVE AND COULD MAKE THIS PRODUCT UNSAFE.

DEPENDING ON THE AMOUNT OF USE THIS PRODUCT RECEIVES IT MAY BE NECESSARY TO TIGHTEN UP THE FIXINGS FROM TIME TO TIME. THIS IS COMPLETELY NORMAL FOR ANY FLAT PACK FURNITURE. DO NOT OVERTIGHTEN FIXING.

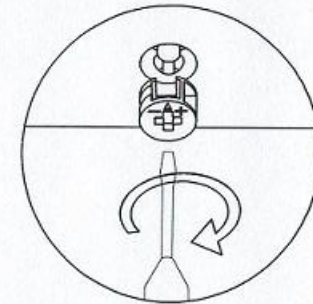
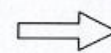
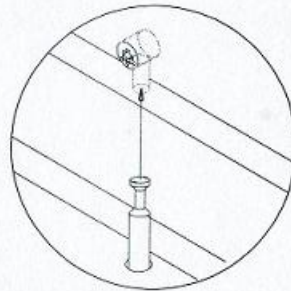
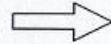
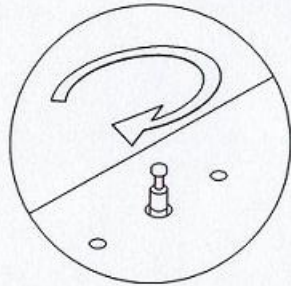
FOR CLEANING, YOU MAY USE A DAMP CLOTH (NOT WET) DO NOT USE POLISH, DETERGENT OR CHEMICAL CLEANERS.

THE SURFACE OF THIS ITEM IS NOT HEAT RESISTANT. ALWAYS USE A PLACE MAT UNDER HOT OR COLD ITEMS TO PREVENT MARKING.



(SCREWDRIVER NOT PROVIDED)

USE A FLAT HEAD SCREWDRIVER TO TIGHTEN THE CAM NUTS. A QUARTER TURN CLOCKWISE IS ALL THAT IS NEEDED.

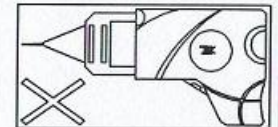


STEP 1 - THREAD CAM BOLT INTO INSERT AND TIGHTEN WITH FINGER.

STEP 2 - ALIGN THE CAM BOLT WITH THE HOLE AND PUSH TOGETHER UNTIL FLUSH. (MAKE SURE THE ARROW OF CAM LOCK IS POINTING TOWARD THE HOLE ON EDGE OF PANEL.)

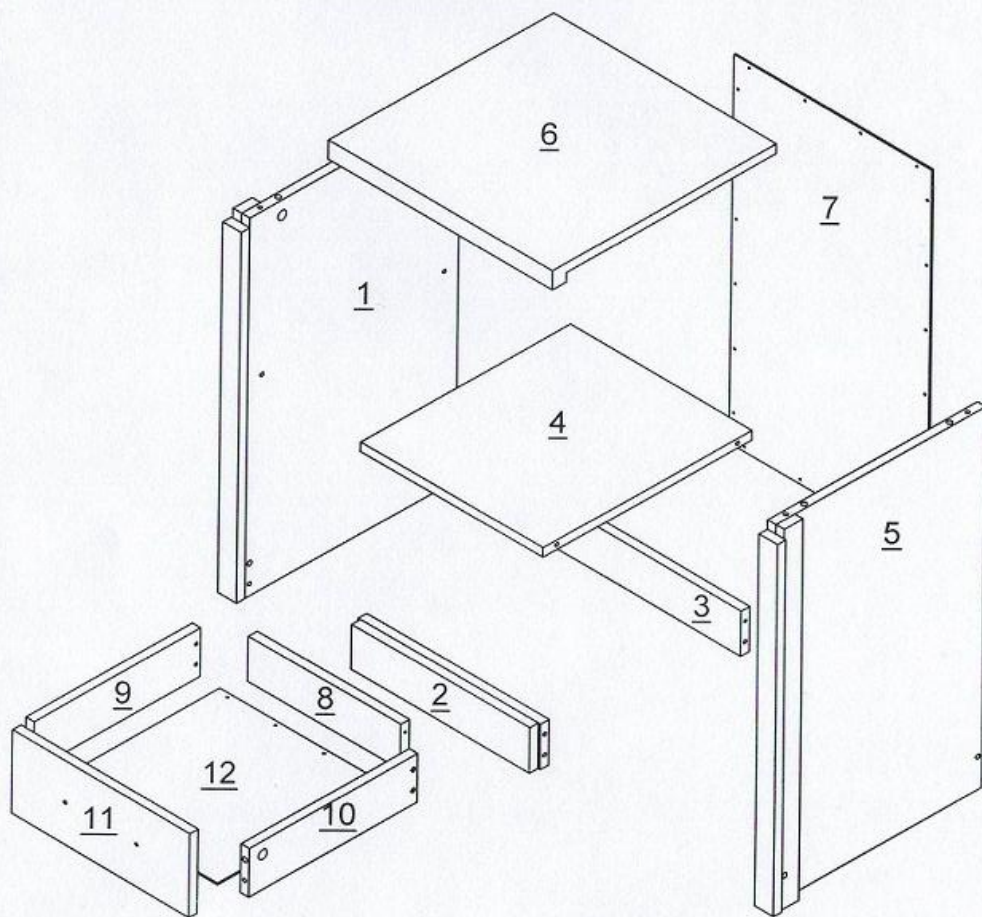
STEP 3 - THE HEAD OF THE BOLT GOES INTO THE WIDE MOUTH OF THE CAM LOCK. YOU THEN TURN THE LOCK SO THE NARROW PART CLOSSES OVER THE BOLT.

! CAUTION : THE USE OF POWER TOOLS TO ASSEMBLE THIS PRODUCT WILL INVALIDATE ANY CLAIM AND MAY DAMAGE THIS PRODUCT MAKING IT UNSAFE.



PARTS LIST

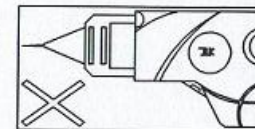
PLEASE CHECK THAT YOU HAVE ALL THE PARTS LISTED BEFORE YOU START ASSEMBLING. IF YOU DO FIND THAT SOMETHING IS MISSING, DO NOT CONTINUE ASSEMBLY, PLEASE CONTACT YOUR SUPPLIER IMMEDIATELY.




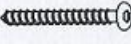
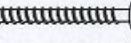
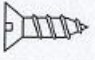
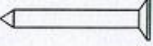
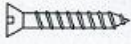





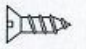

PARTS LIST

1	LEFT SIDE PANEL	1 PC
2	BASE FRONT APRON	1 PC
3	BACK CROSSBARS	1 PC
4	CENTRE SHELF	1 PC
5	RIGHT SIDE PANEL	1 PC
6	TOP PANEL	1 PC
7	BACK PANEL	1 PC
8	DRAWER BACK	2 PCS
9	LEFT SIDE DRAWER	2 PCS
10	RIGHT SIDE DRAWER	2 PCS
11	DRAWER FRONT	2 PCS
12	DRAWER BASE	2 PCS

! CAUTION : THE USE OF POWER TOOLS TO ASSEMBLE THIS PRODUCT WILL INVALIDATE ANY CLAIM AND MAY DAMAGE THIS PRODUCT MAKING IT UNSAFE.



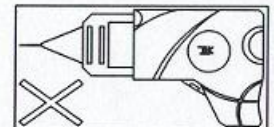
HARDWARE LIST

A		DOWEL 6 X 30MM	16 PCS
B		BOLT M6 X 50MM	2 PCS
C		BOLT M7 X 60MM	2 PCS
D		SCREW 3.5 X 16MM	16 PCS
E		TACK	24 PCS
F		SCREW 4 X 38MM	8 PCS
G		HANDLE	2 PCS
H		CAM BOLT + CAM NUT	8 SETS
I		DRAWER RUNNER A	4 PCS
J		DRAWER RUNNER B	4 PCS
K		HANDLE SCREW 18MM	4 PCS
L		SCREW 3.5 X 12MM	16 PCS
M		PVC FOOT CENTRE	4 PCS

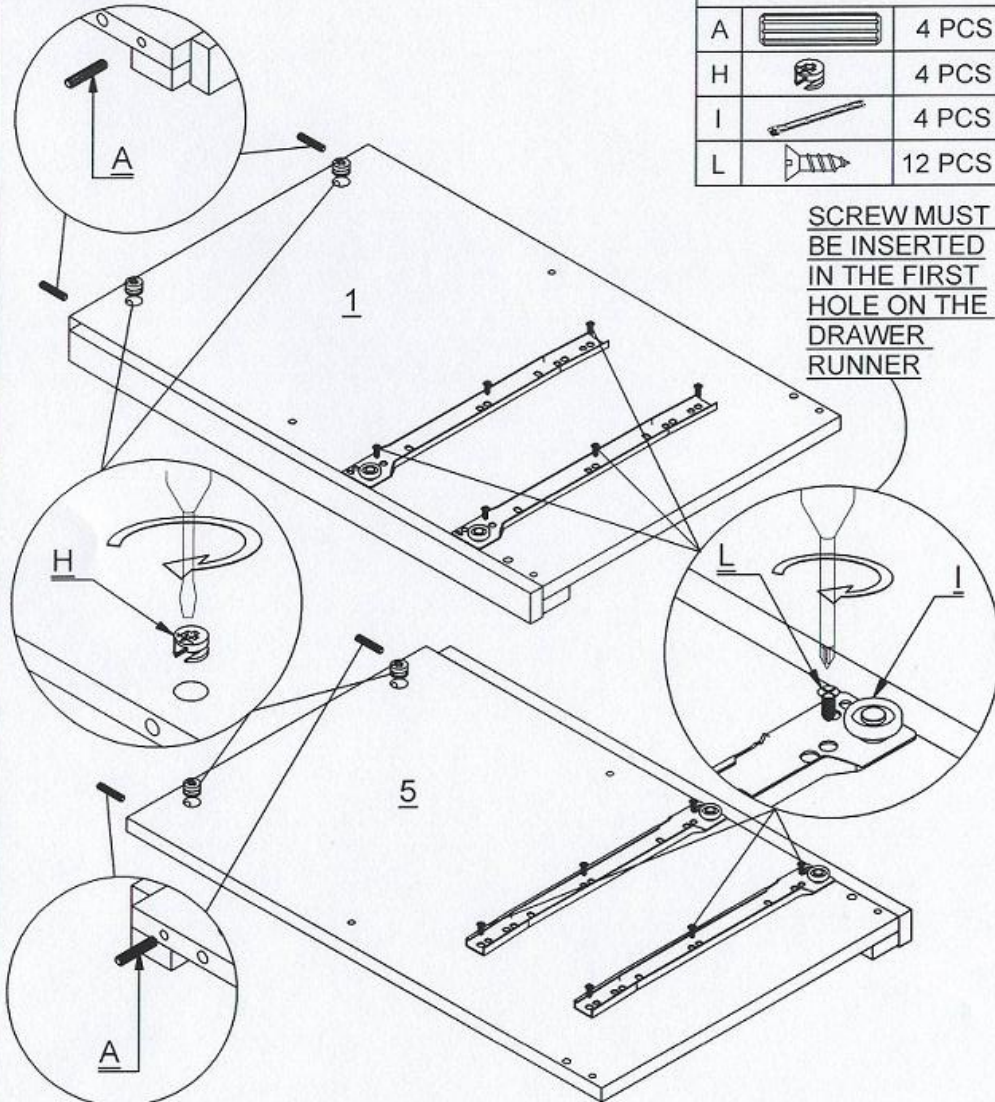
N		ALLEN KEY	1 PC
---	---	-----------	------



CAUTION : THE USE OF POWER TOOLS TO ASSEMBLE THIS PRODUCT WILL INVALIDATE ANY CLAIM AND MAY DAMAGE THIS PRODUCT MAKING IT UNSAFE.



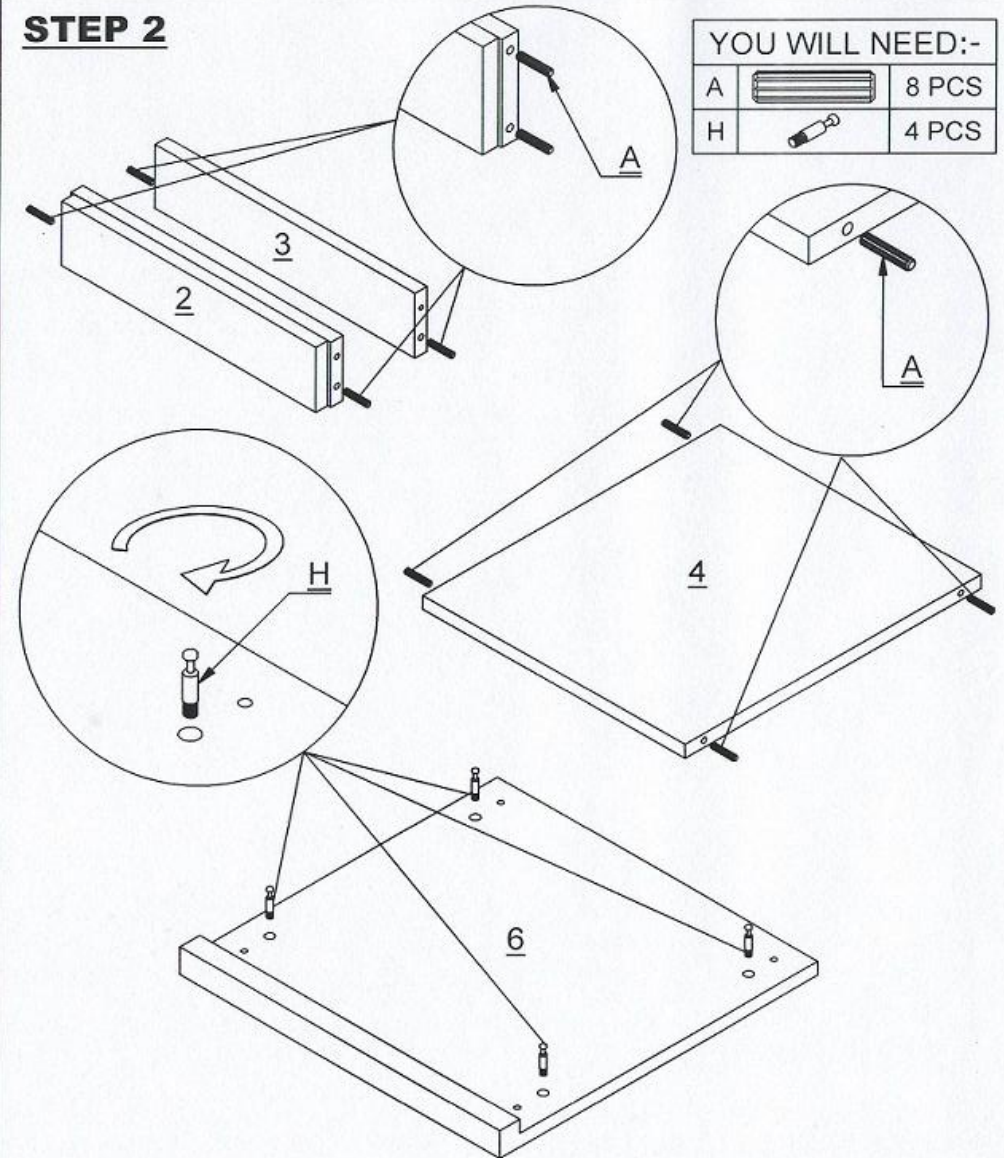
STEP 1



YOU WILL NEED:-		
A		4 PCS
H		4 PCS
I		4 PCS
L		12 PCS

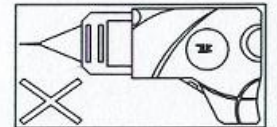
SCREW MUST
BE INSERTED
IN THE FIRST
HOLE ON THE
DRAWER
RUNNER

STEP 2



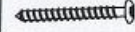
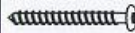

YOU WILL NEED:-		
A		8 PCS
H		4 PCS

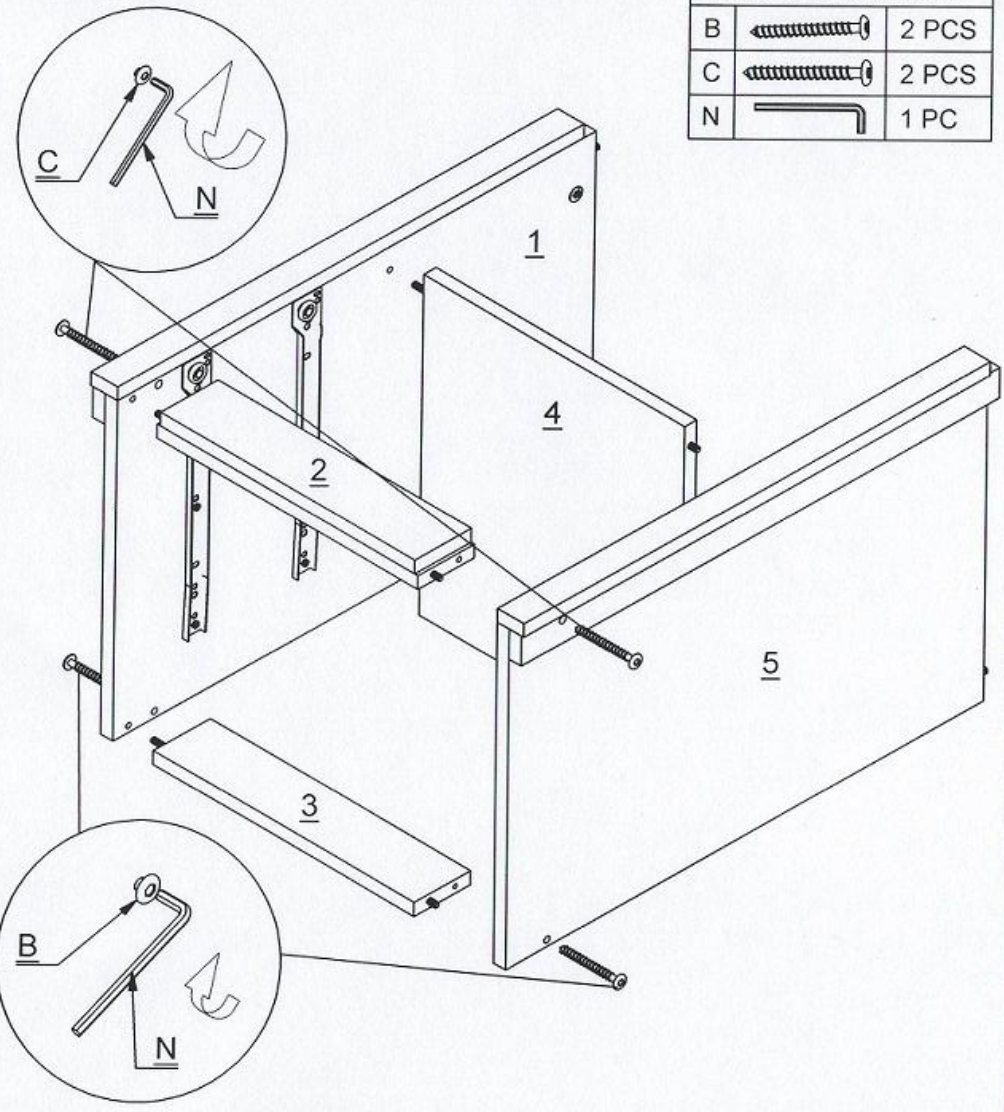
! CAUTION : THE USE OF POWER TOOLS TO ASSEMBLE THIS PRODUCT WILL INVALIDATE ANY CLAIM AND MAY DAMAGE THIS PRODUCT MAKING IT UNSAFE.



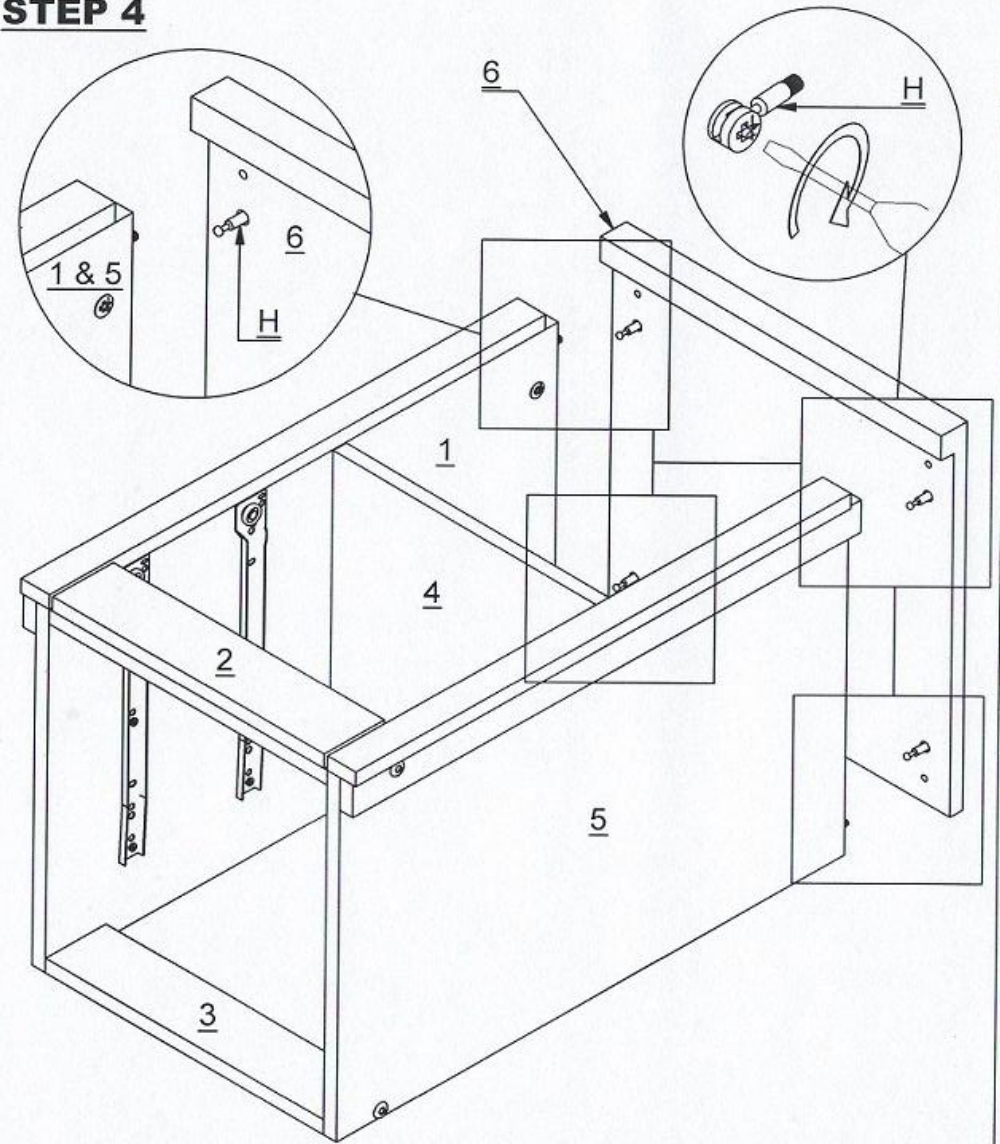
STEP 3

YOU WILL NEED:-

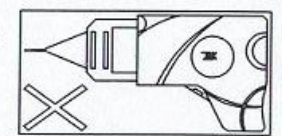
B		2 PCS
C		2 PCS
N		1 PC



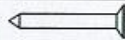
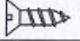
STEP 4

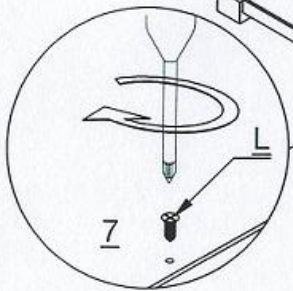
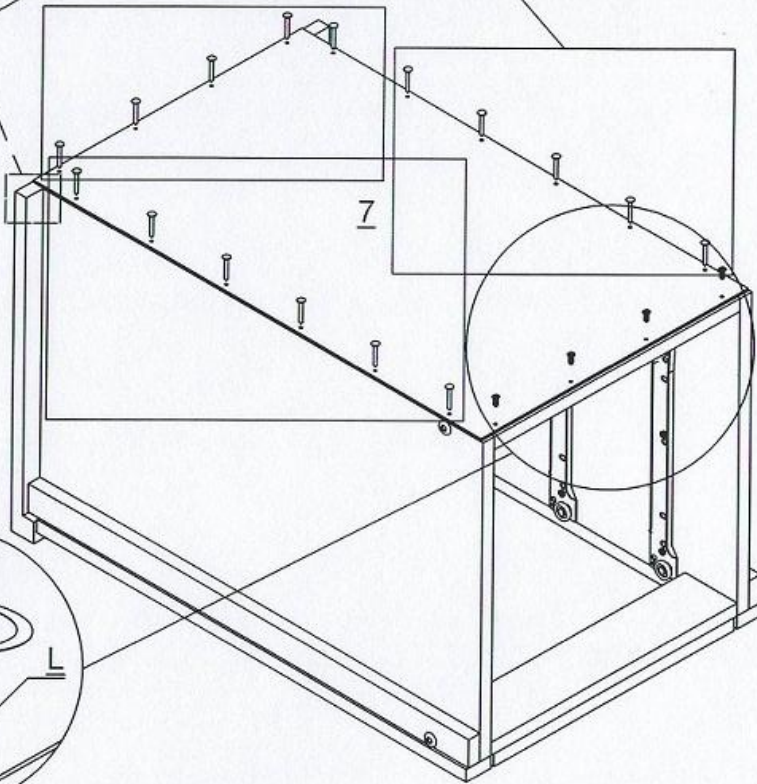
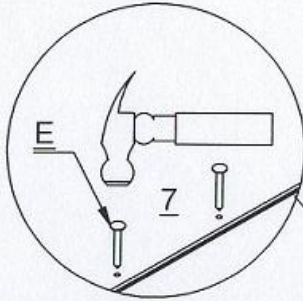
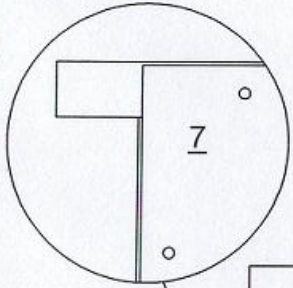


! **CAUTION:** THE USE OF POWER TOOLS TO ASSEMBLE THIS PRODUCT WILL INVALIDATE ANY CLAIM AND MAY DAMAGE THIS PRODUCT MAKING IT UNSAFE.





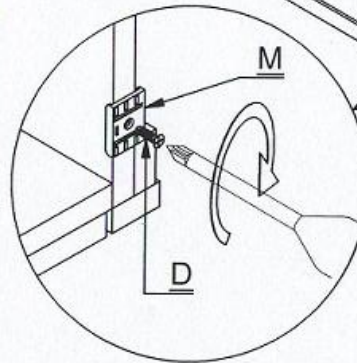
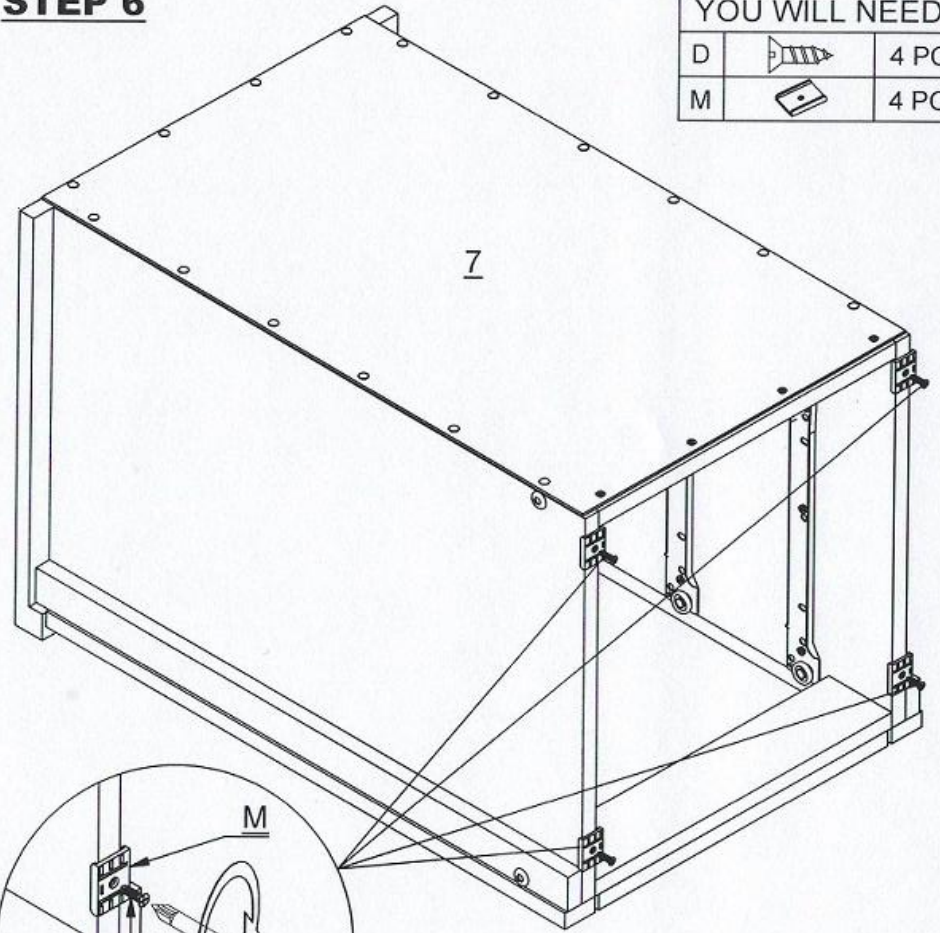
STEP 5

YOU WILL NEED:-		
E		16 PCS
L		4 PCS

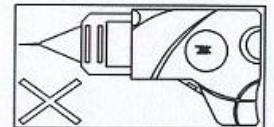


STEP 6

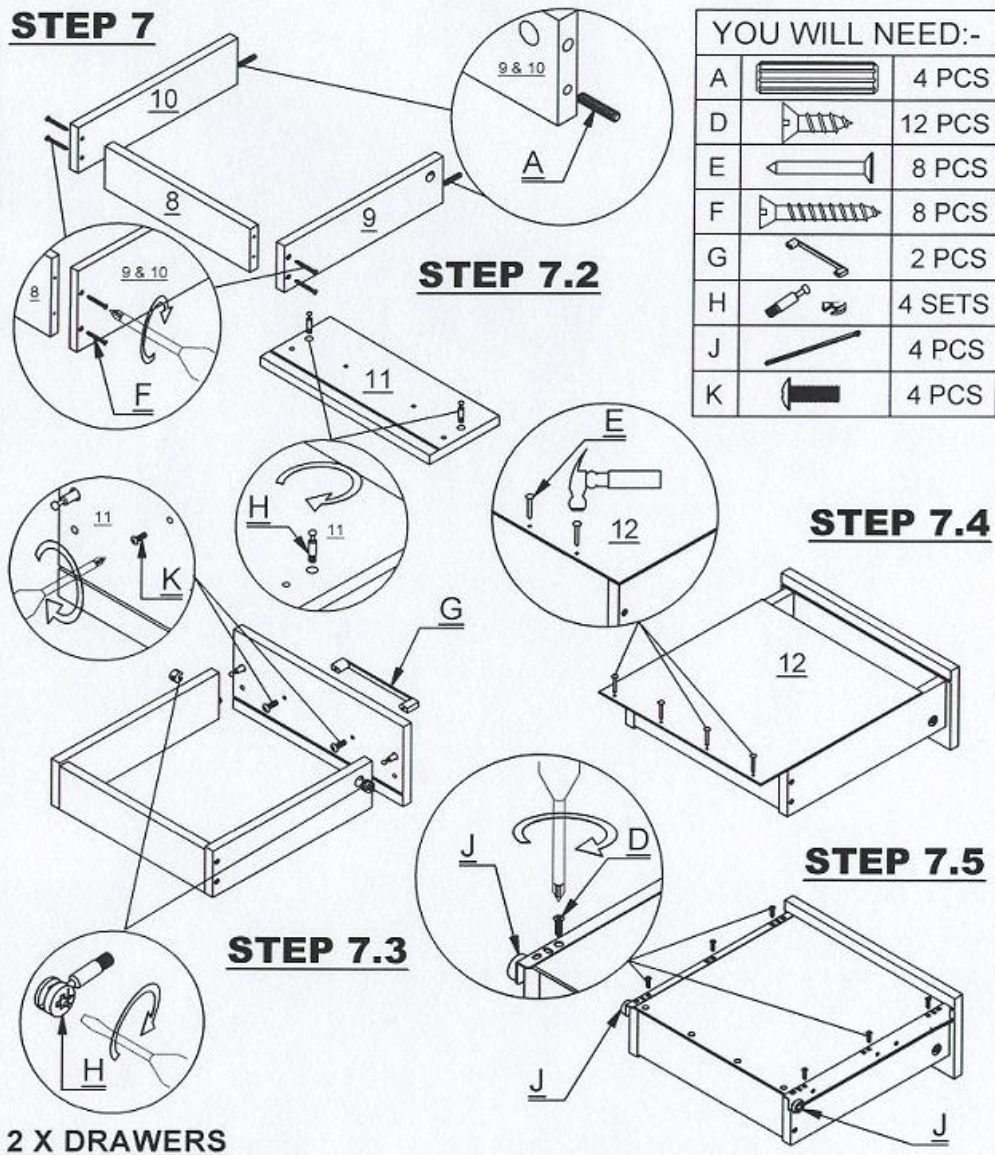
YOU WILL NEED:-		
D		4 PCS
M		4 PCS



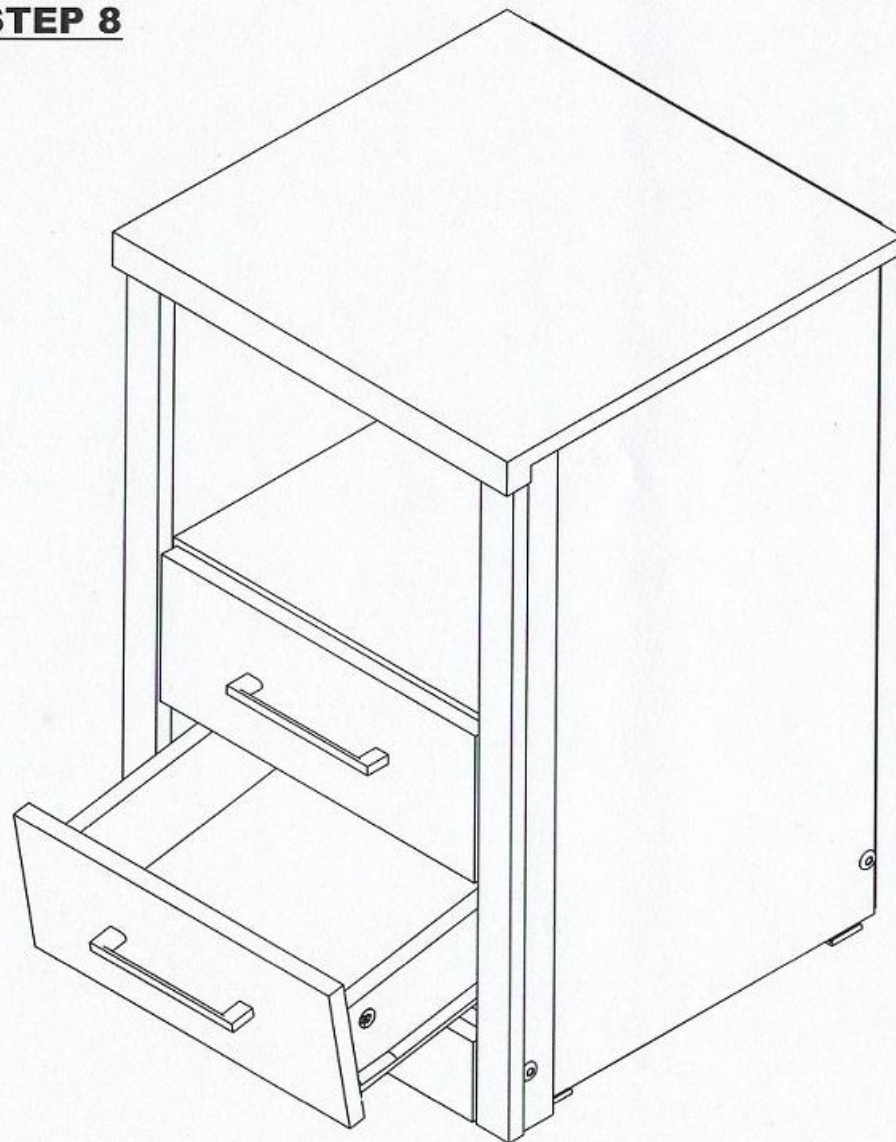
! **CAUTION :** THE USE OF POWER TOOLS TO ASSEMBLE THIS PRODUCT WILL INVALIDATE ANY CLAIM AND MAY DAMAGE THIS PRODUCT MAKING IT UNSAFE.



STEP 7



STEP 8



! **CAUTION:** THE USE OF POWER TOOLS TO ASSEMBLE THIS PRODUCT WILL INVALIDATE ANY CLAIM AND MAY DAMAGE THIS PRODUCT MAKING IT UNSAFE.

