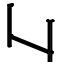

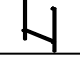








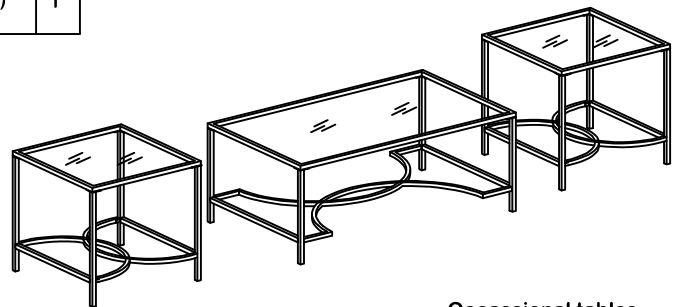


ASSEMBLY INSTRUCTIONS

TABLES

Occasional tables Part List

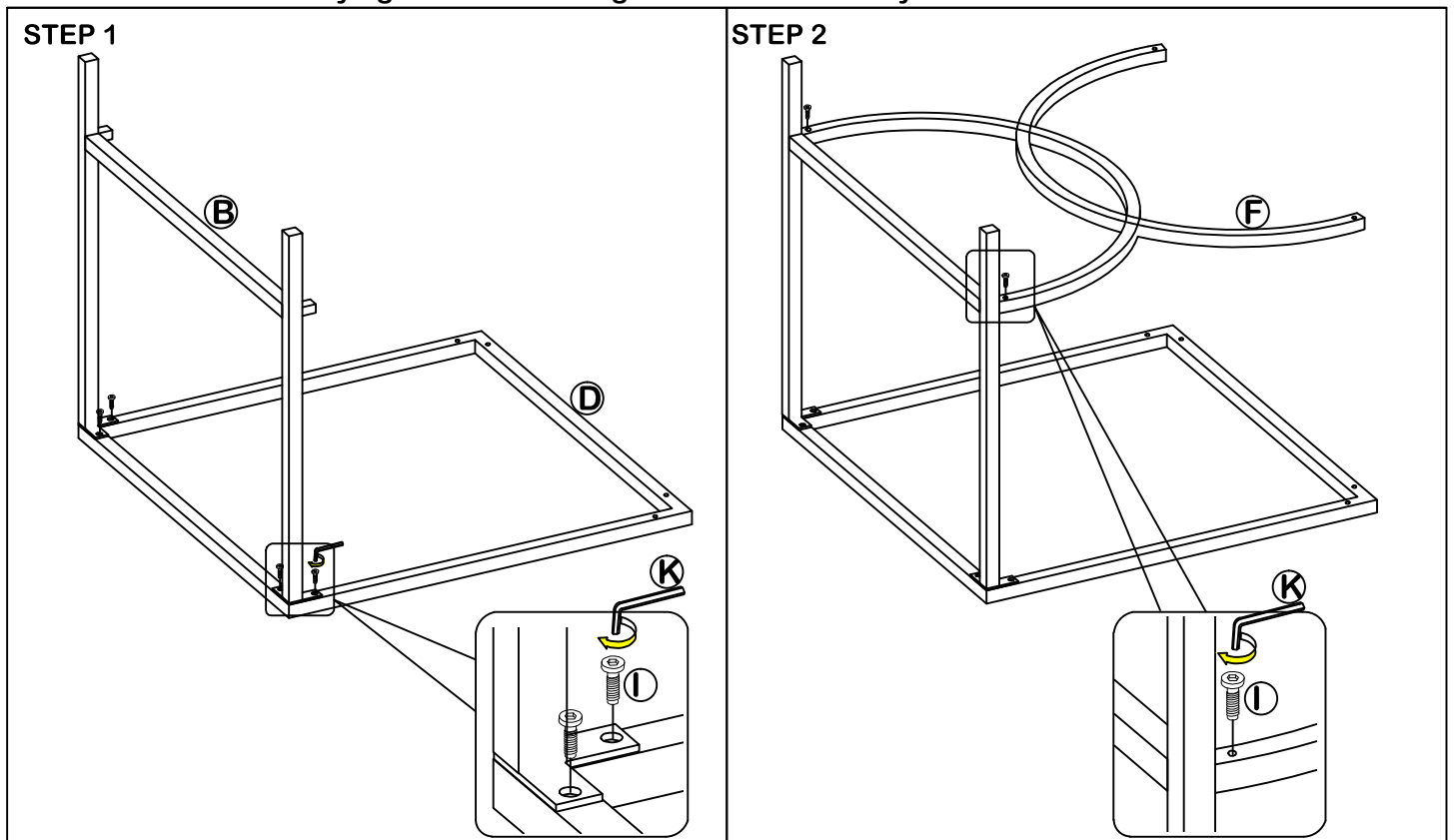
PART	DRAWING	DESCRIPTION	QTY	PART	DRAWING	DESCRIPTION	QTY
A		Cocktail Table Leg	2	I		Bolt 1/4"x12mm	36
B		End Table Leg	4	J		Glass Bumper	14
C		Cocktail table top frame	1	K		Allen Key (M4)	1
D		End table top frame	2				
E		Cocktail Table Base	1				
F		End Table Base	2				
G		End Table Top	2				
H		Cocktail Table Top	1				



Occasional tables
Assembled

NOTED: If needed, only part I-K are available for replacement.

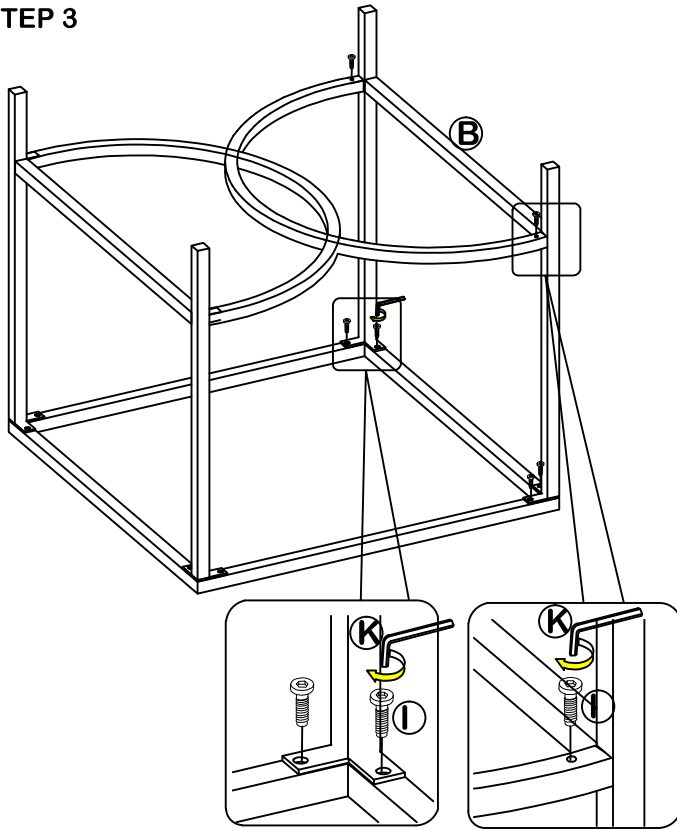
IMPORTANT: Do not fully tighten the bolts. Tighten all the bolts only on a level surface



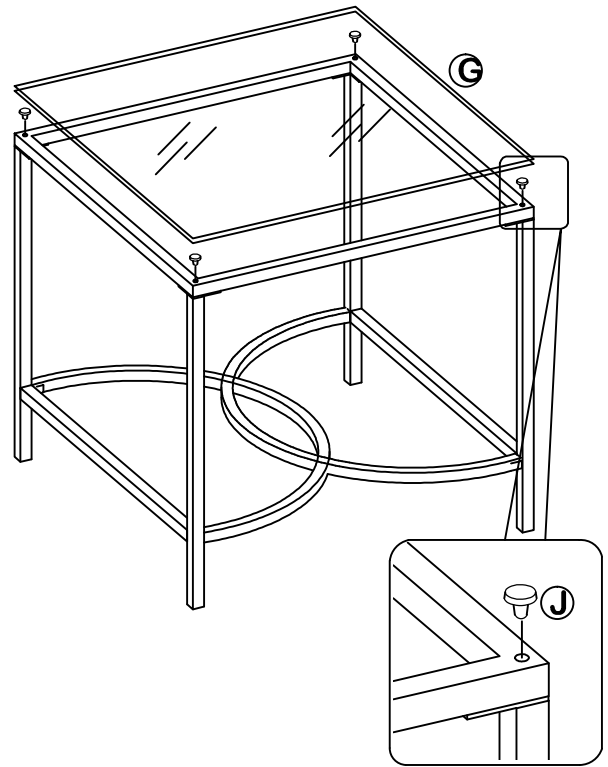
PLEASE NOTE: With use, screw may become loose & must be tightened periodically.

ASSEMBLY INSTRUCTIONS

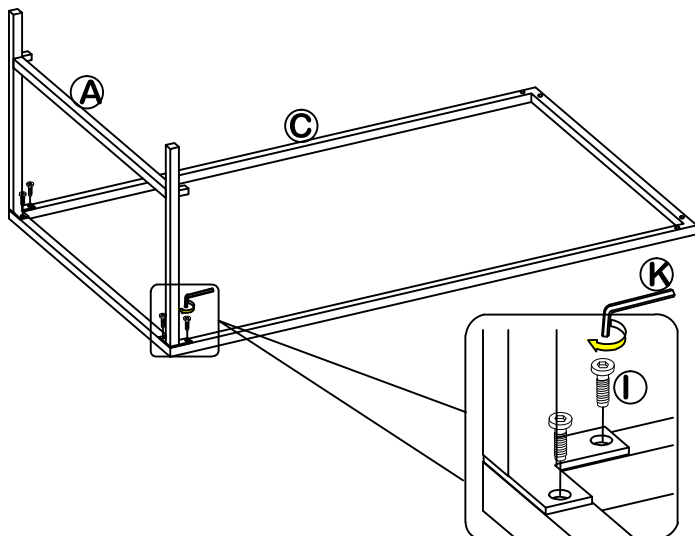
STEP 3



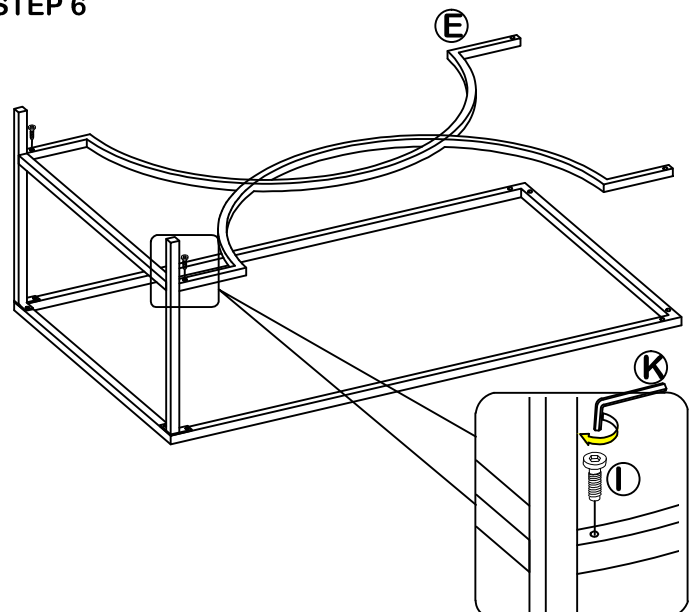
STEP 4



STEP 5



STEP 6



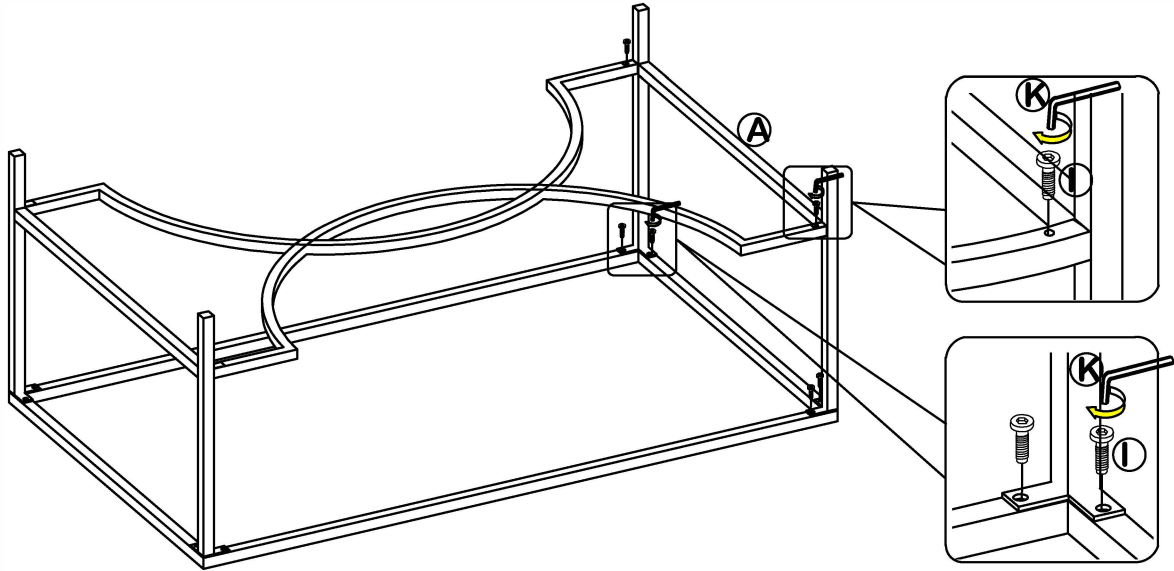
PLEASE NOTE: With use, screw may become loose & must be tightened periodically.

Occasional tables

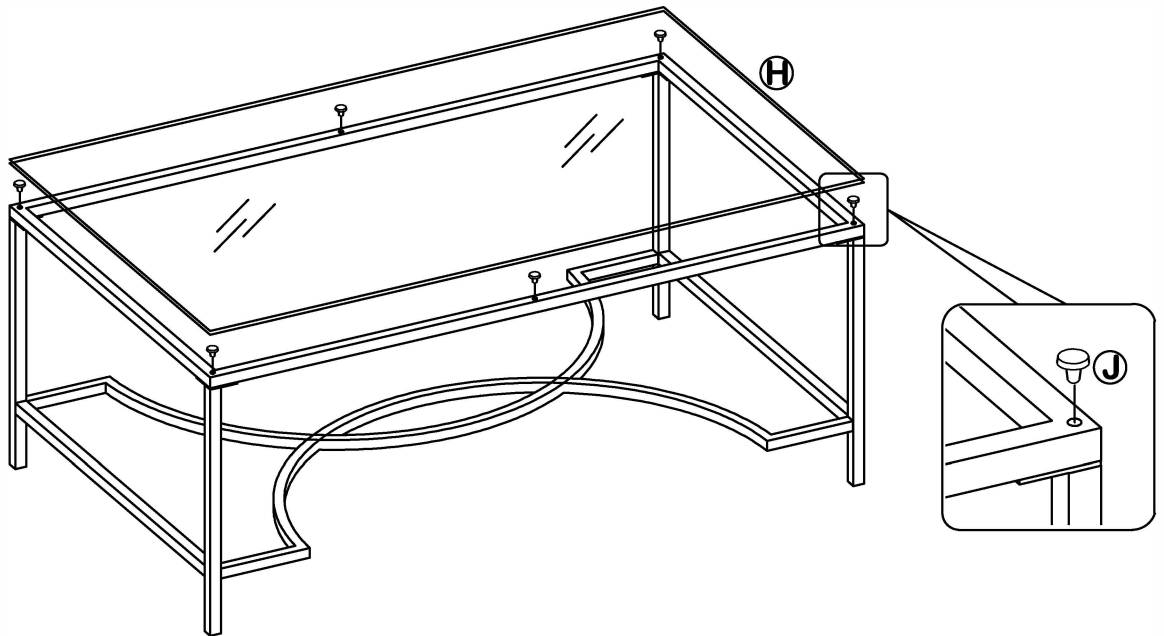
ASSEMBLY INSTRUCTIONS

Occasional tables

STEP 7



STEP 8



PLEASE NOTE: With use, screw may become loose & must be tightened periodically.

Occasional tables