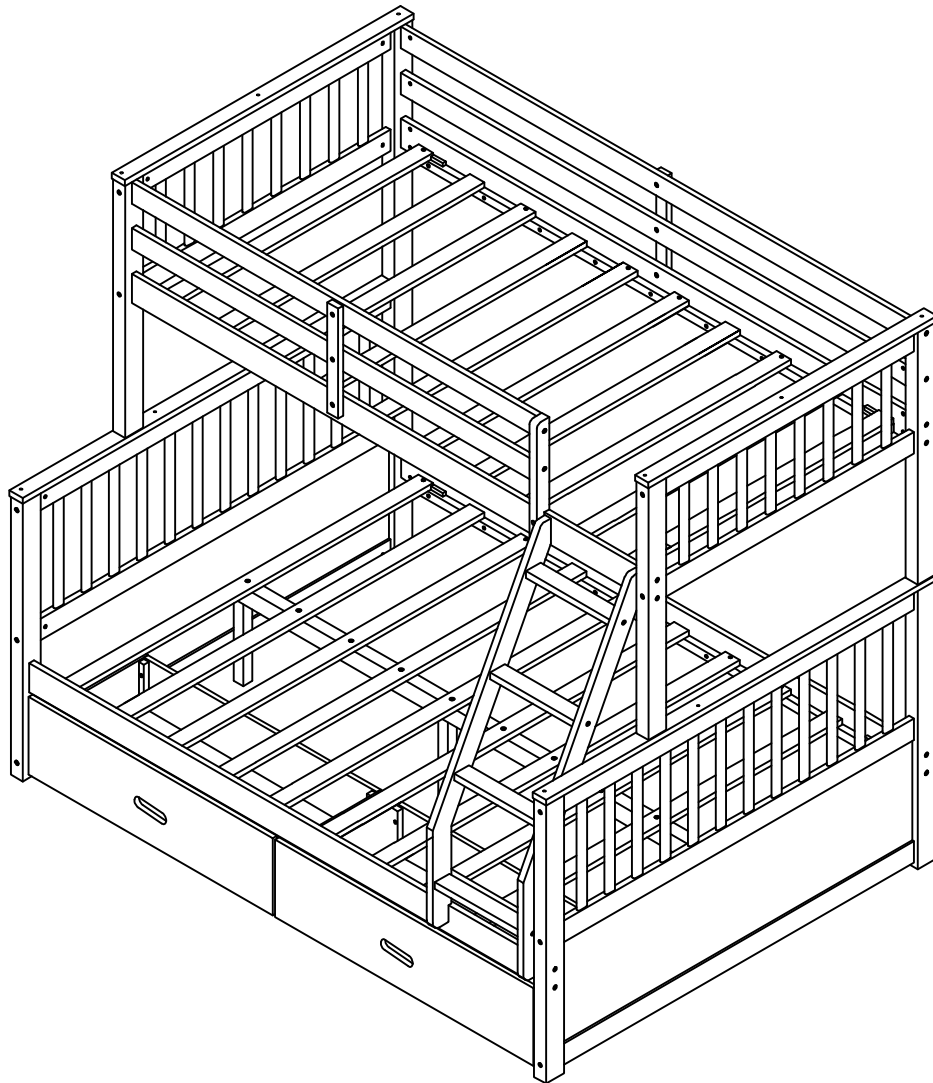


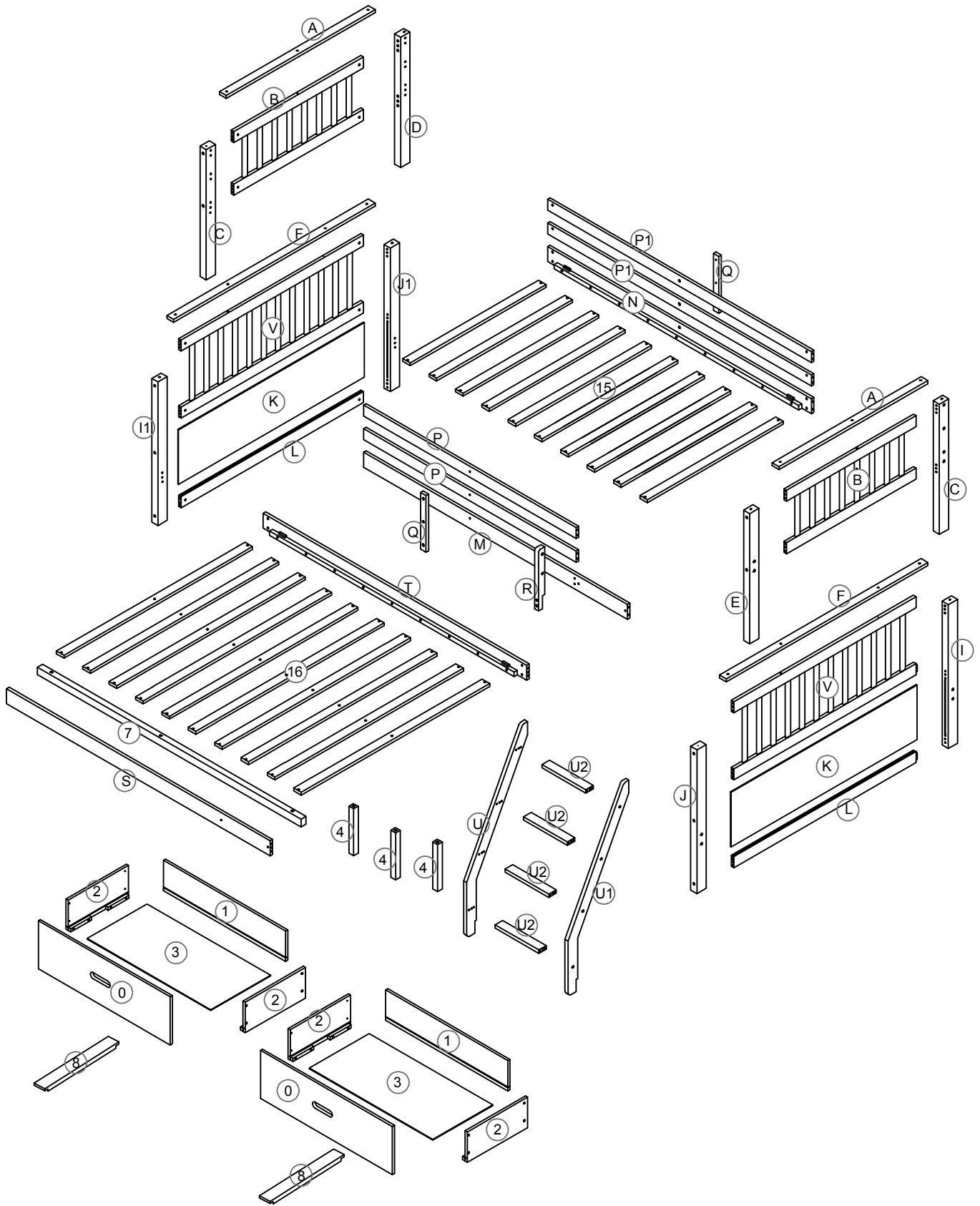
ASSEMBLY INSTRUCTIONS

TWIN FULL SIZE BUNK BED

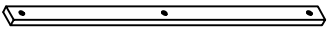
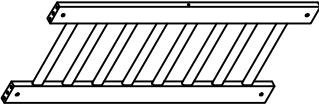

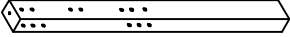
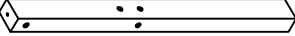
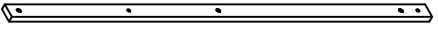
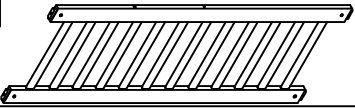
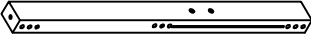
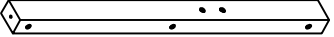
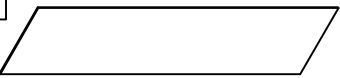

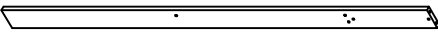
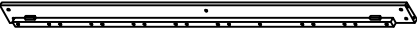
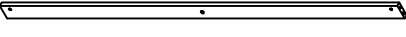
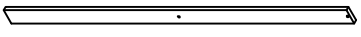

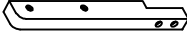
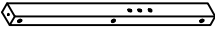
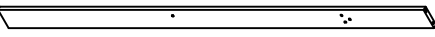

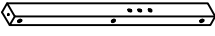
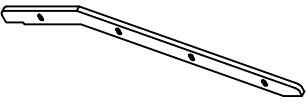
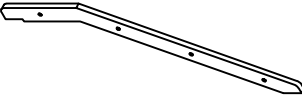



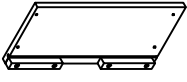
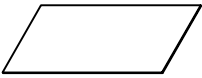
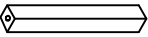

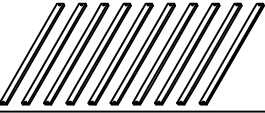
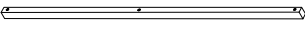
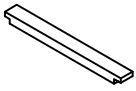


LGCB01/LGCB02

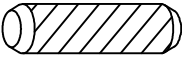

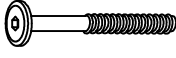







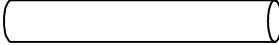


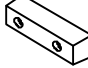

Detail View



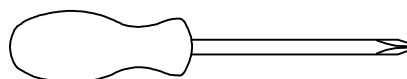
Part List

A 	B 	C 
Cap for upper HB&FB-2pcs	Upper HB & FB - 2pcs	Upper leg HB&FB (L/R)-2pcs
D 	E 	F 
Upper leg HB (Right) - 1pc	Upper leg FB (Right) - 1pc	Cap for lower HB&FB-2pcs
V 	I 	J/J1 
Lower HB/FB - 2pc	Lower leg FB (Left)-1pc	Lower leg FB (Right)-2pc
K 	L 	M 
Side panel - 2pcs	Horizontal bar - 2pcs	Side rail upper (Front) -1pc
N 	P1 	P 
Side rail upper (Back) -1pc	Long guard rail-2pcs	Short guard rail-2pcs
Q 	R 	I1 
Vertical guard rail - 1pcs	Support guard rail - 1pc	Lower leg HB (Right)-1pc
S 	T 	I1 
Side rail lower (Front) -1pc	Side rail lower (Back) -1pc	Lower leg HB (Left)-1pc
U 	U1 	U2 
Ladder (Left) - 1pc	Ladder (Right) - 1pc	Step ladder - 4pcs
0 	1 	2 
Drawer front - 2pcs	Drawer back - 2pcs	Drawer Left/Right - 4pcs
3 	4 	16 
Drawer botton - 2pcs	Center leg - 3pcs	Lower slat - 10pcs
15 	7 	8 
Upper slat - 10pcs	Center support rail-1pc	Center support drawer-2pcs

Hardware List



10	 Ø10*30mm Wood dowel (80pcs)	11	 (Ø15)1/4"*110mm Hex-Head bolts (20pcs)	12	 (Ø15)1/4"*85mm Hex-Head bolts (22pcs)
13	 (Ø12)1/4"*35mm Hex-Head bolts (3pcs)	14	 (Ø12)5/16"*30mm Hex-Head bolts (8pcs)	15	 4mm Allen key (1pc)
16	 Ø1/4"*15mm Horizontal-Hole bolts(24pcs)	17	 Ø4*30mm Screws (56pcs)	18	 Ø26mm Caster (8pcs)
19	 Ø3*15mm Screws (16pcs)	20	 Ø10*90mm Metal dowel (4pcs)	21	 Ø4*25mm Screws (16pcs)
22	 Ø5/16"*50mm Hex-Head bolts (22pcs)	23	 Wood block 3pcs	24	 Ø1/4"*65mm Hex-Head bolts (2pcs)

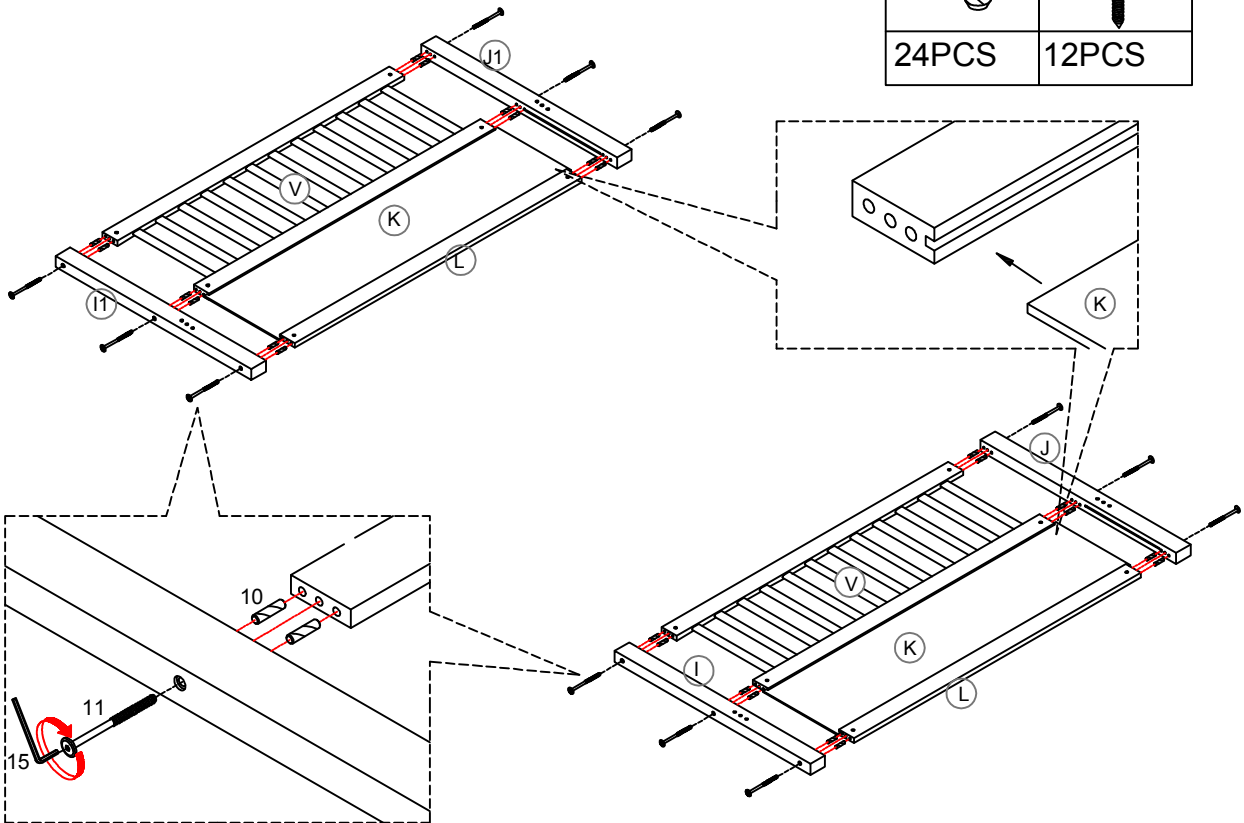
ASSEMBLY TOOLS REQUIRED (NOT INCLUDED)




PLEASE BE CAREFUL DO NOT DAMAGE THE HOLE POSITION WHEN YOU USE POWER TOOLS !

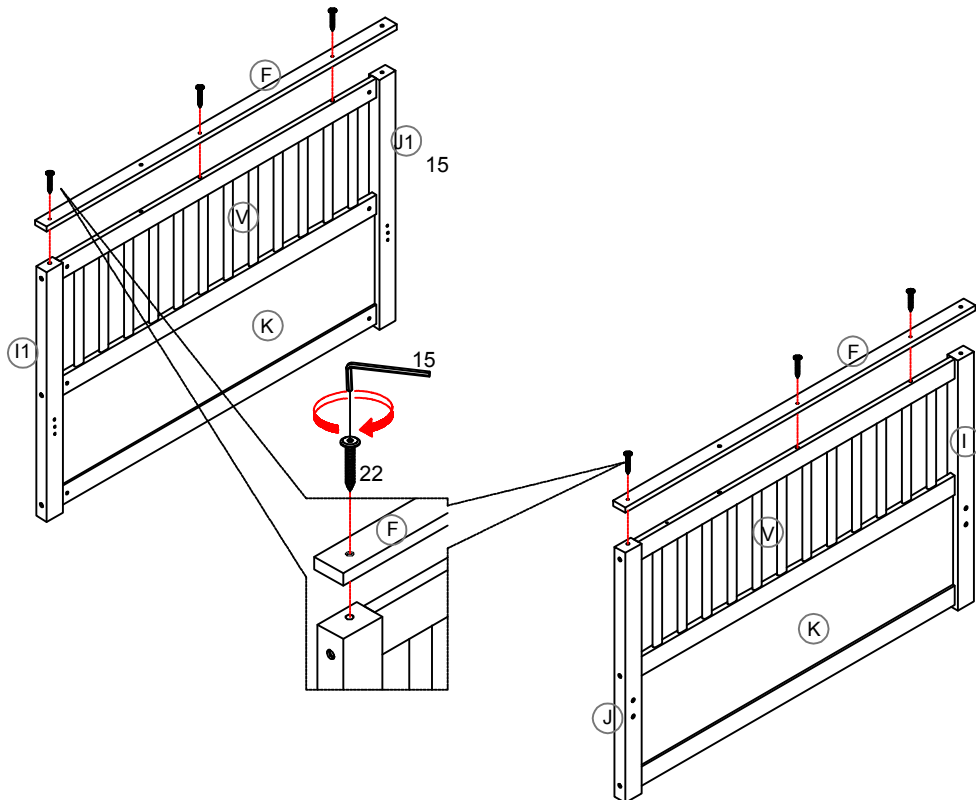
STEP 1:

10		11	
24PCS		12PCS	






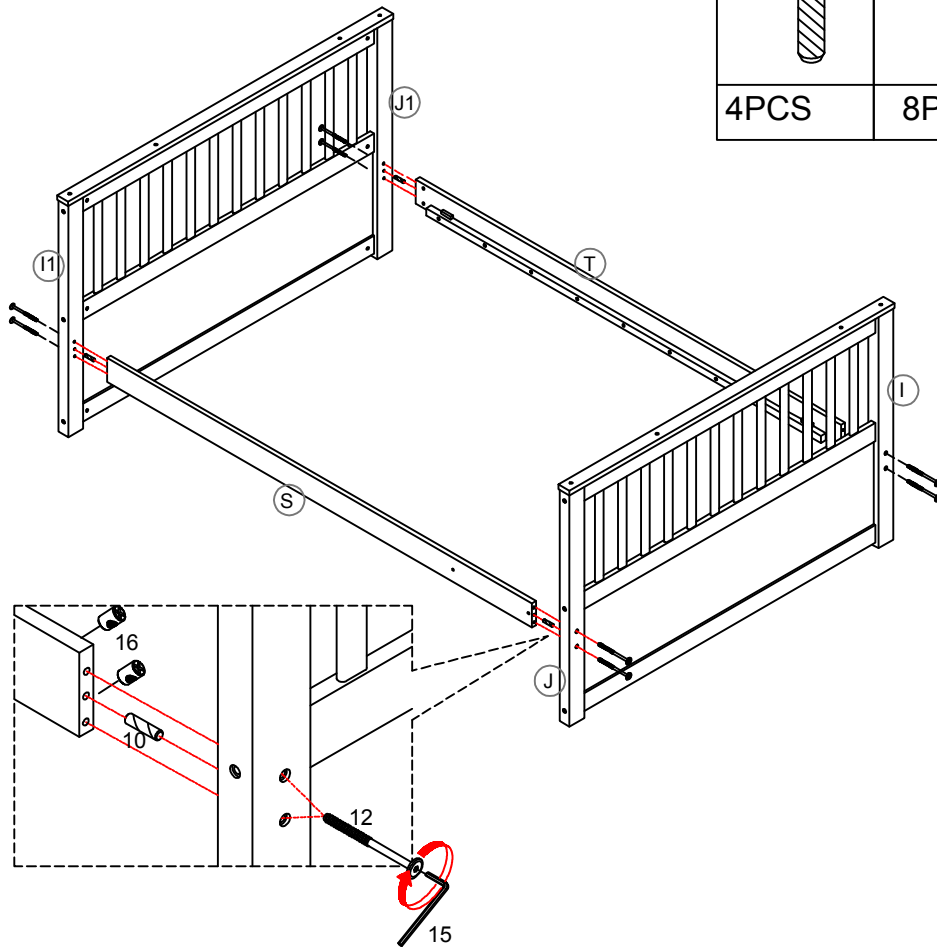
STEP 2:

22	
6 PCS	





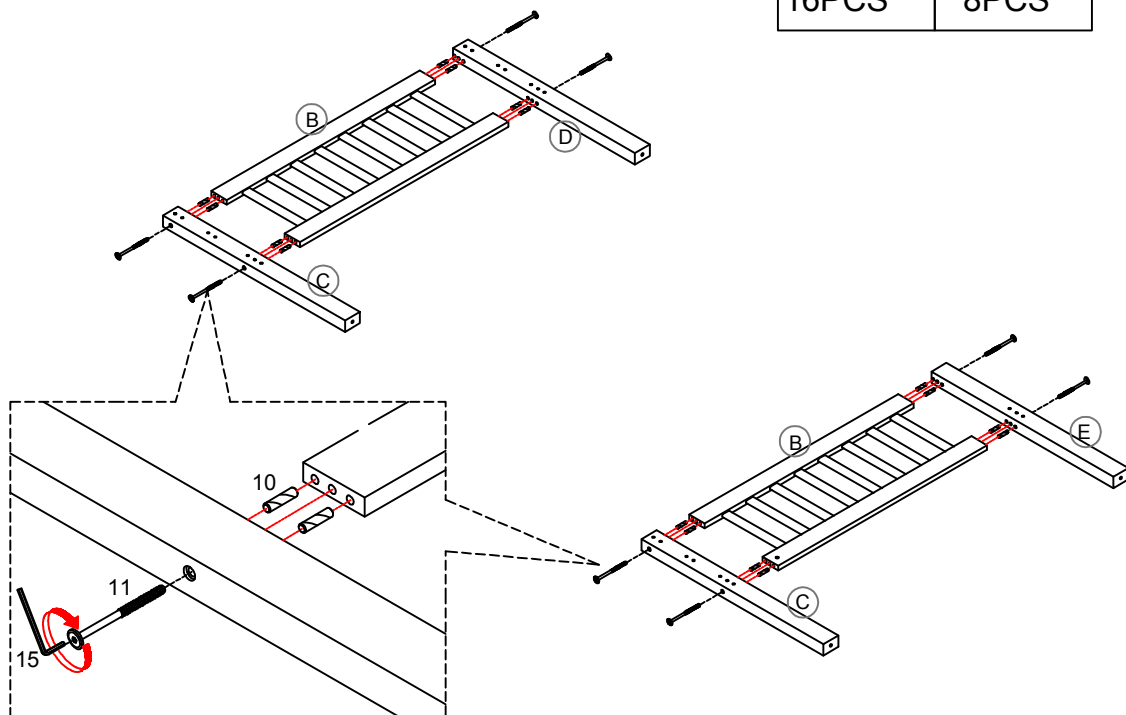
STEP 3:

10		12		16	
4PCS		8PCS		8PCS	

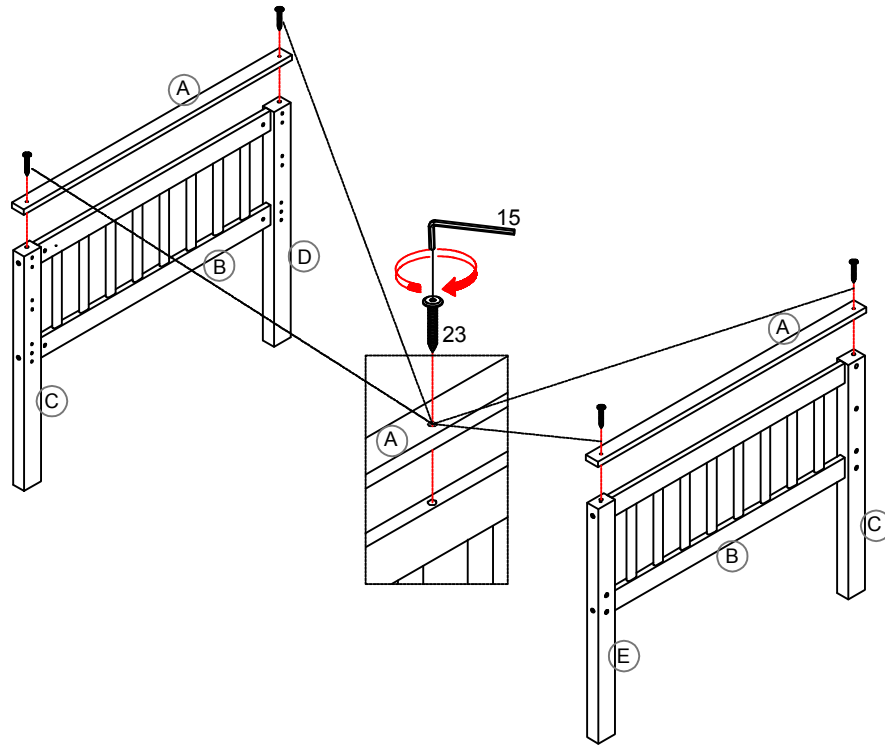



STEP 4:

10		11	
16PCS		8PCS	

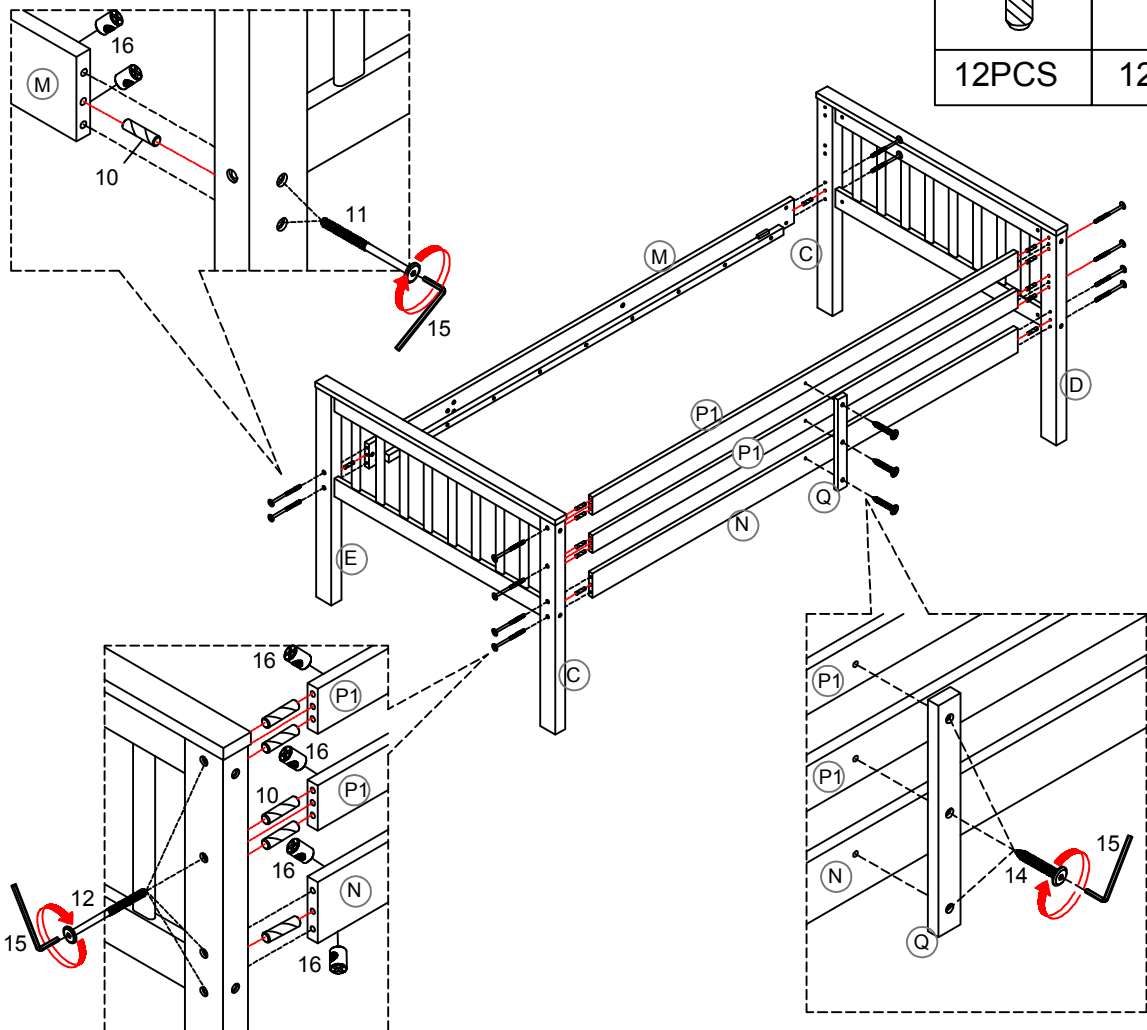






STEP 5:





22	
4PCS	

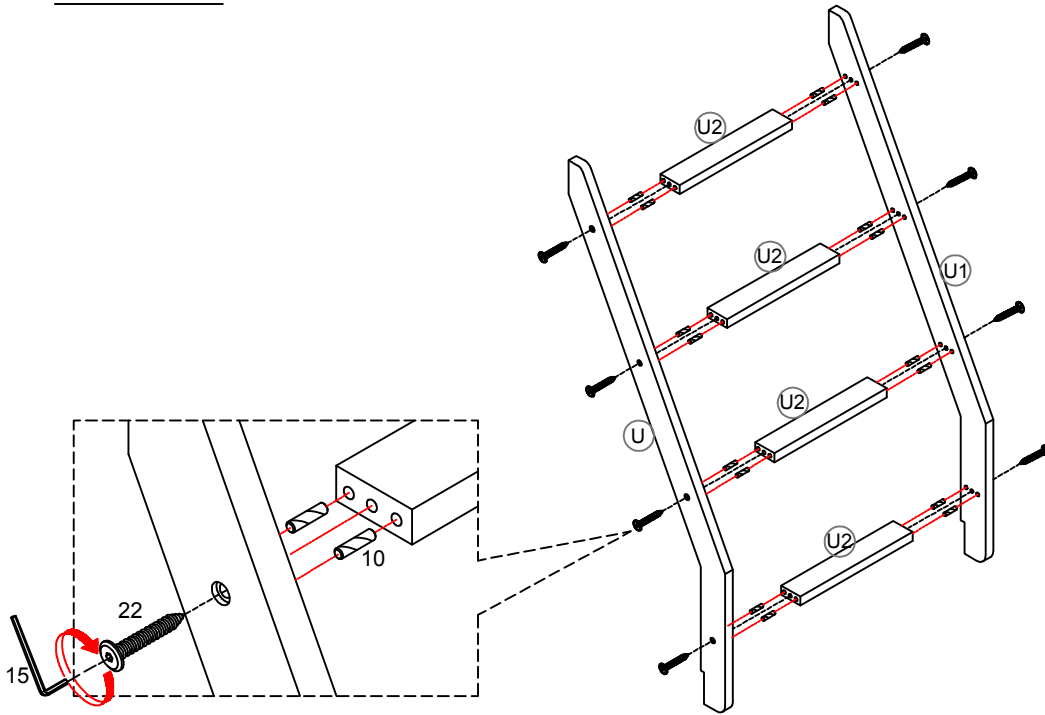
STEP 6:




10		12		14	
12PCS		12PCS		3PCS	
			16		
			12PCS		

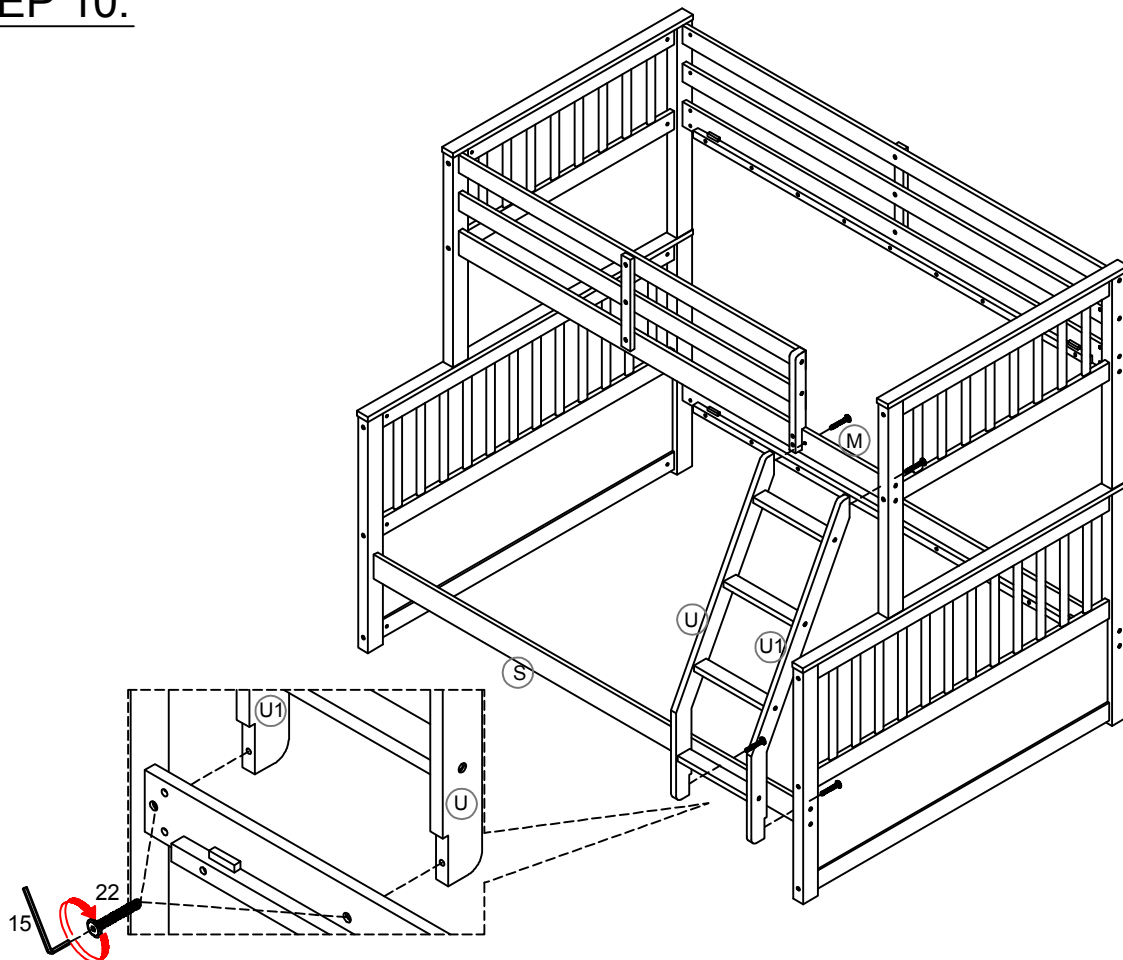
STEP 9:

10		22	
16PCS		8PCS	




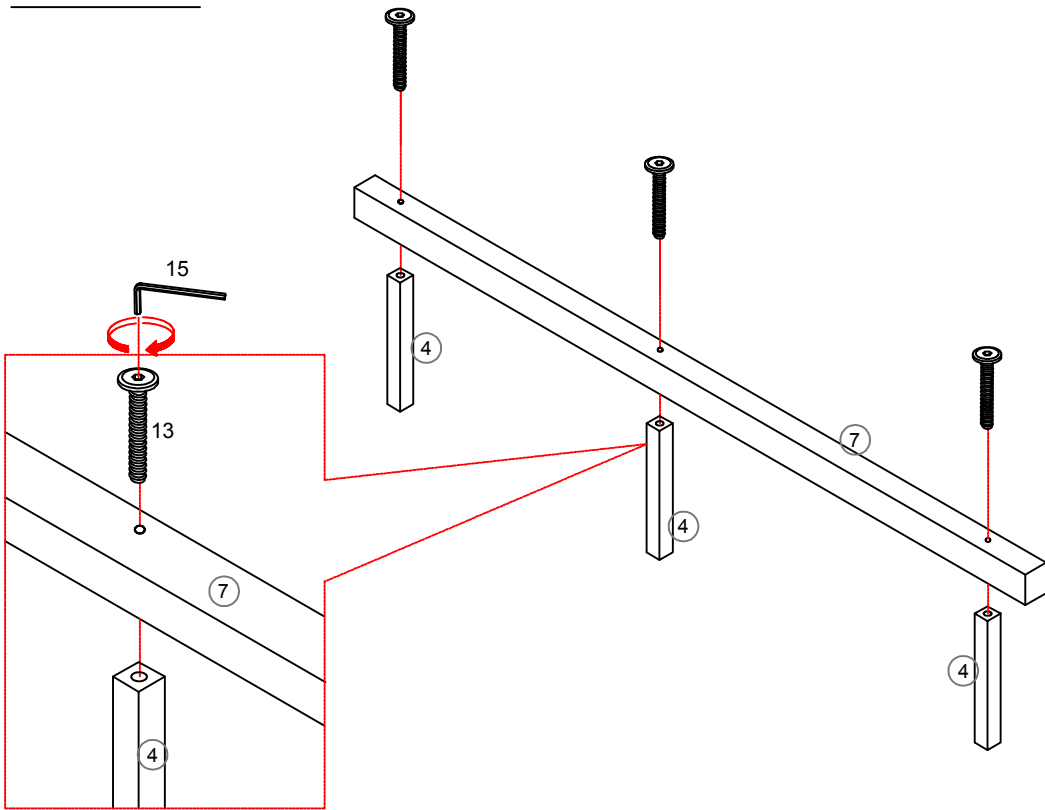
STEP 10:

22	
4PCS	




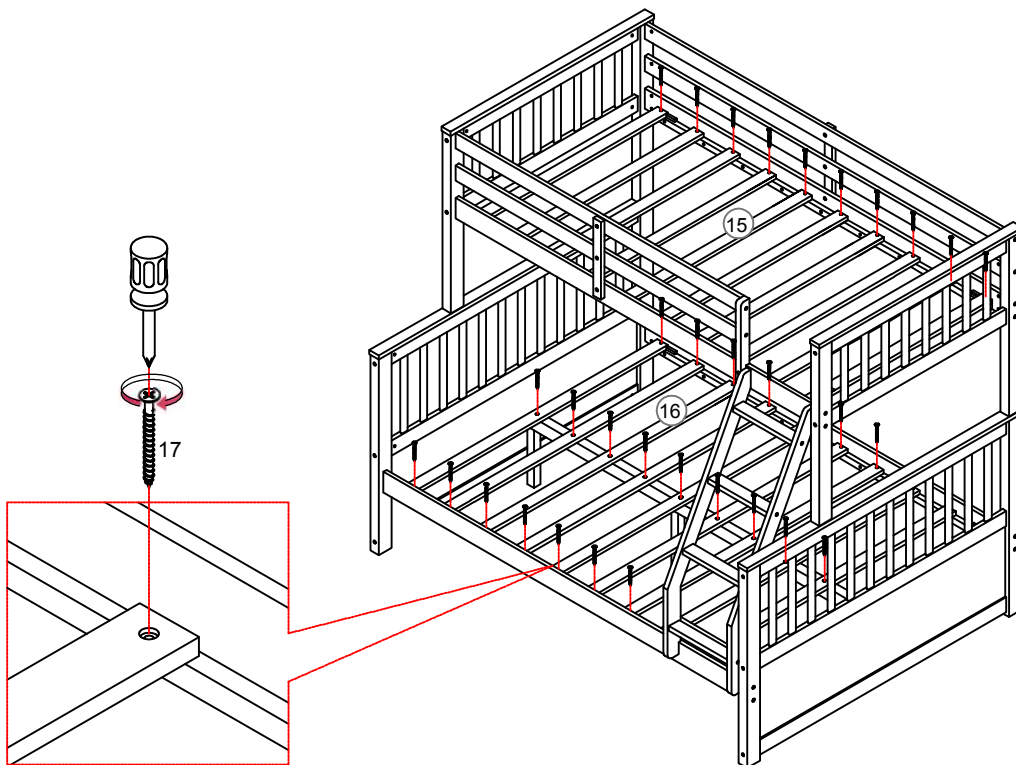
STEP 11:

13	
3PCS	

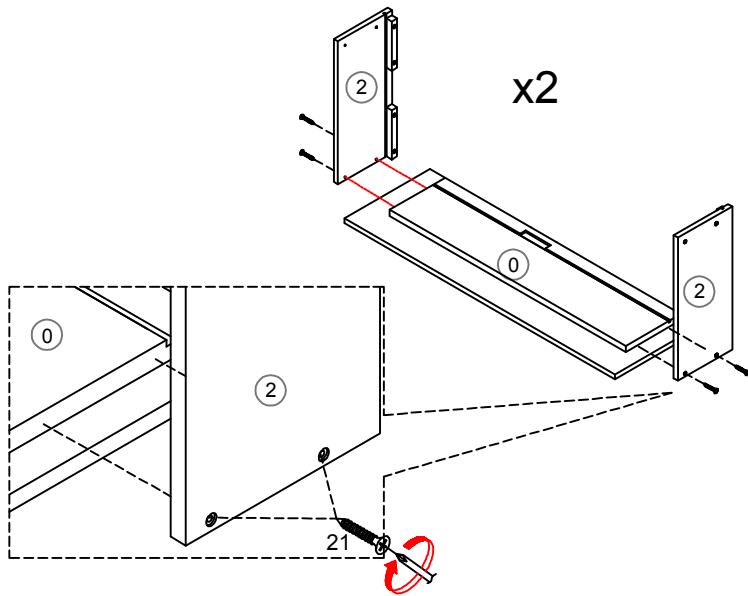


STEP 12:

17	
50PCS	



STEP 13:

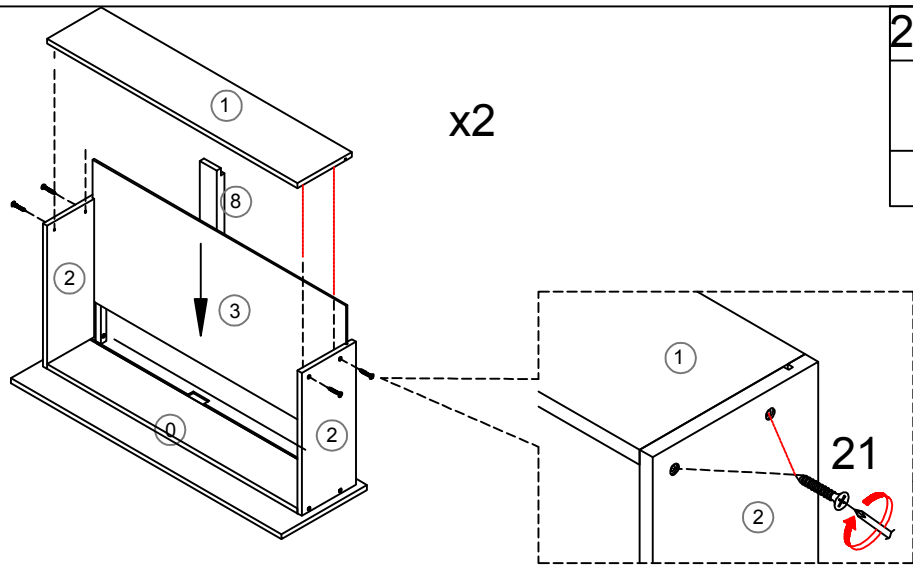


21



8PCS

STEP 14:

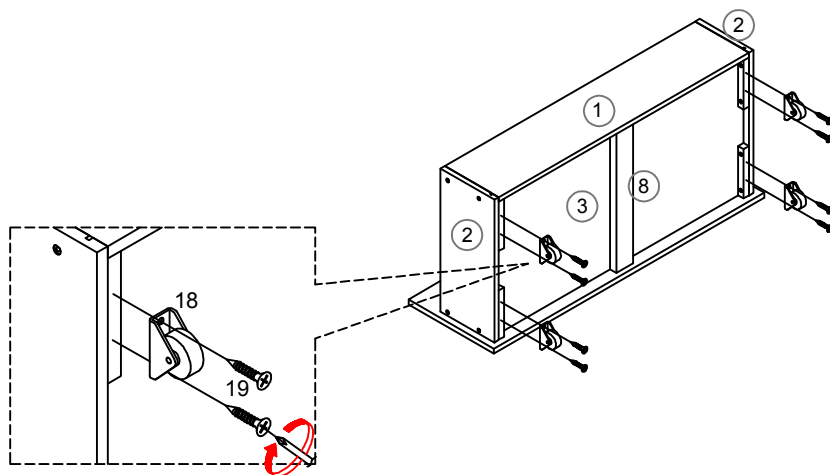


21



8PCS

STEP 15:



18



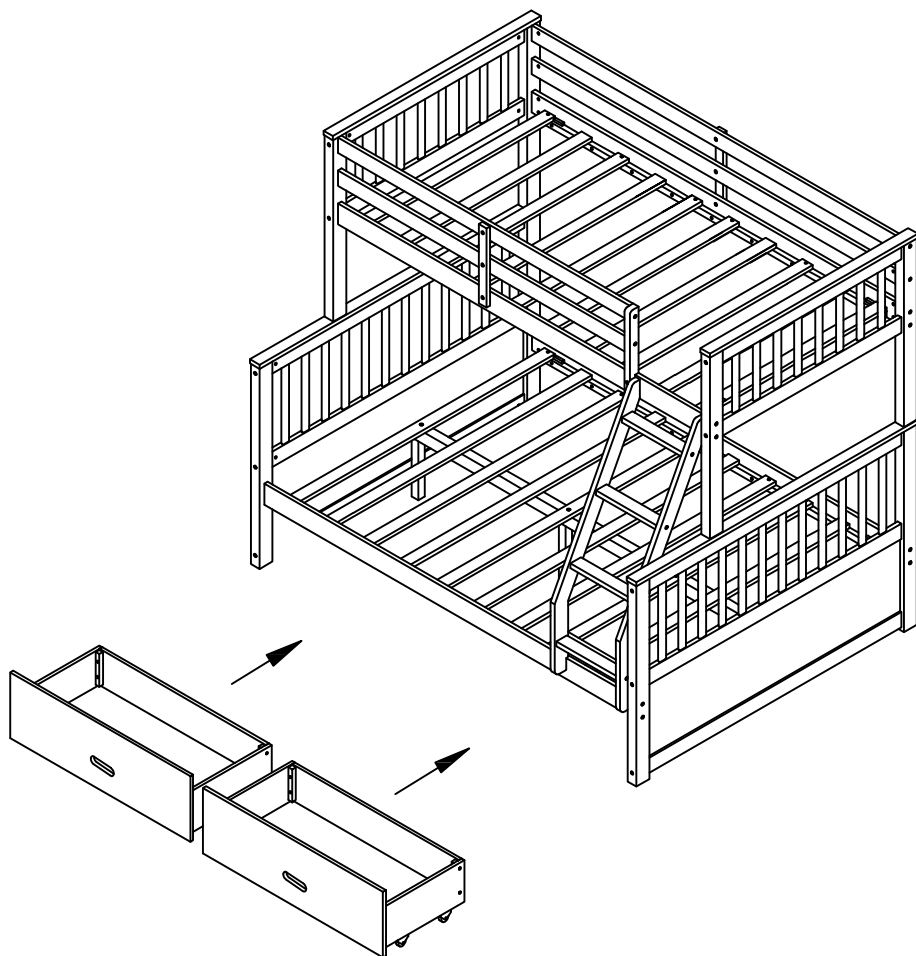
8PCS

19



16PCS

STEP 16:



COMPLETED

