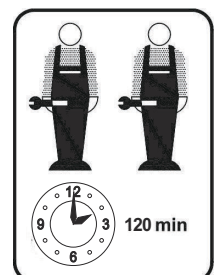
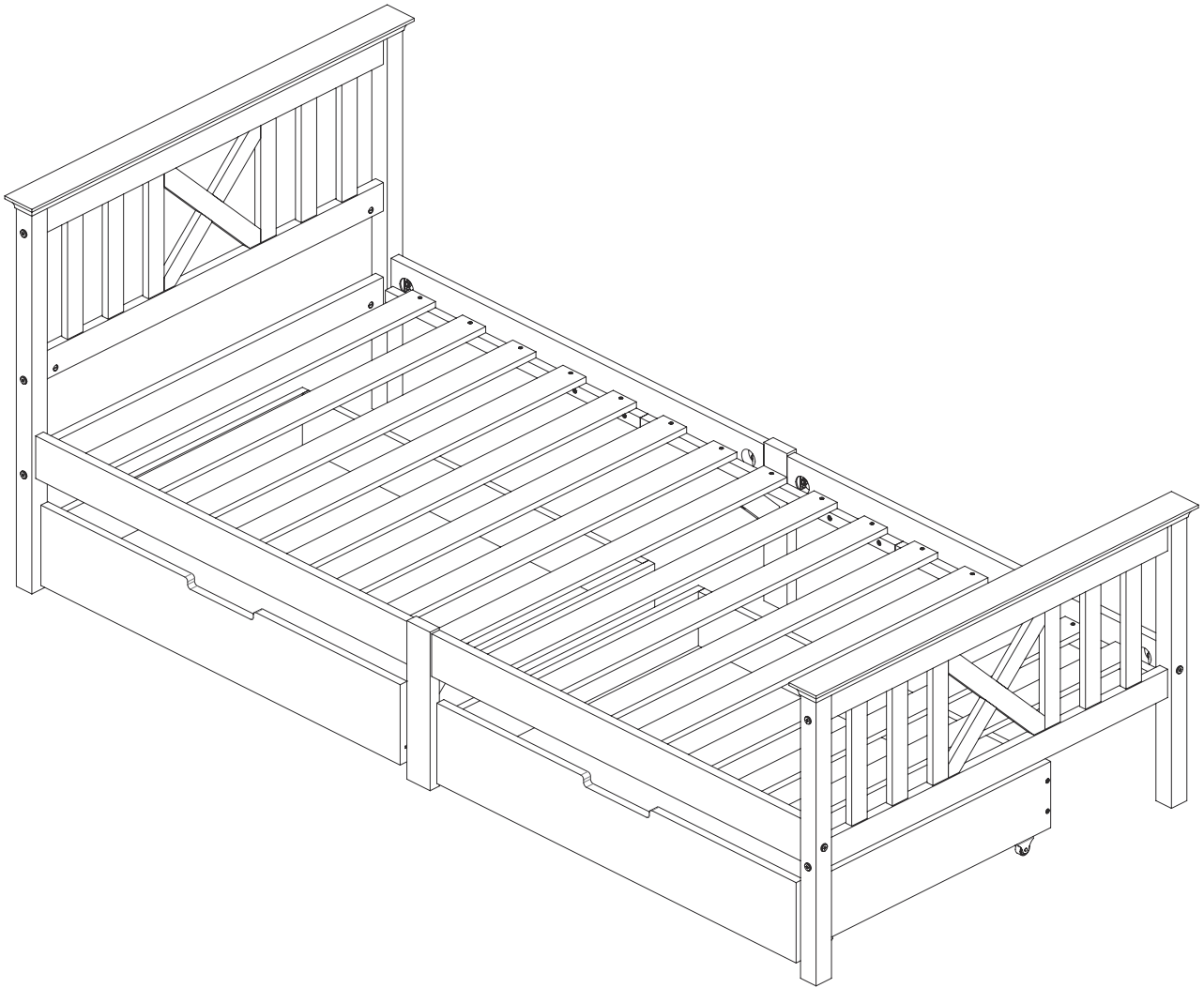


ASSEMBLY INSTRUCTION

SKU CODE: WF292375AAW/G

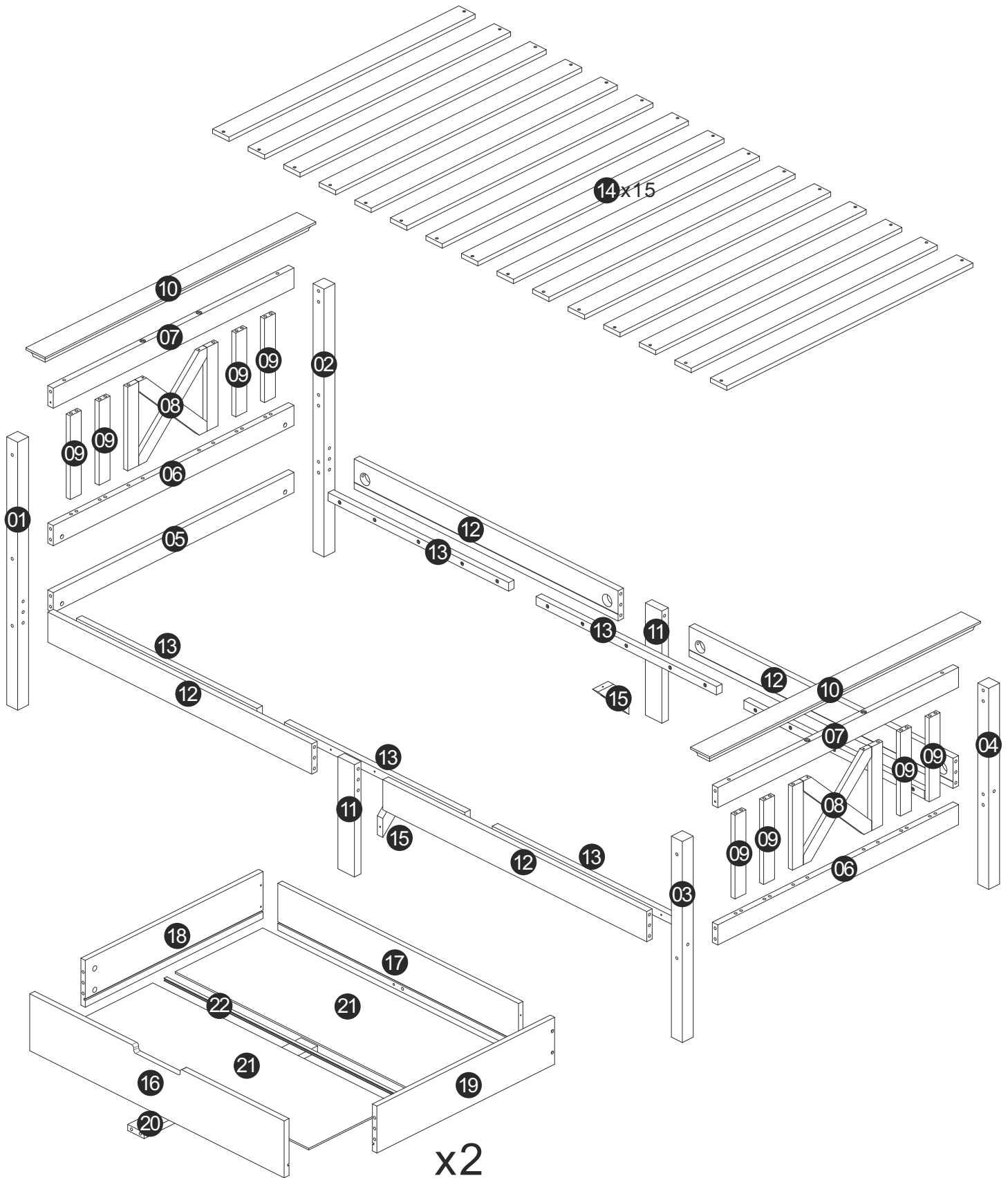
X-bed with drawers 190x90cm



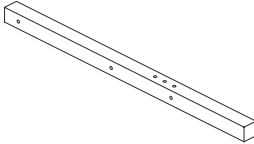
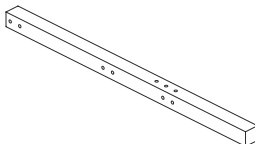
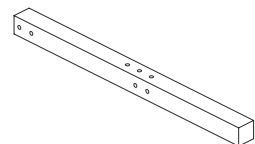
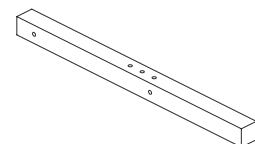
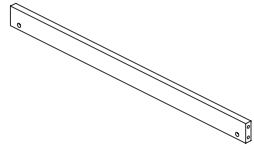
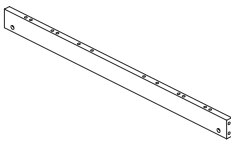
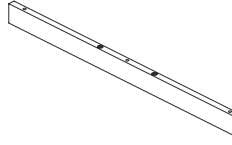
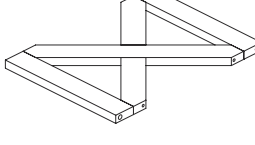
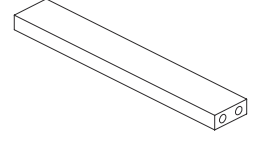
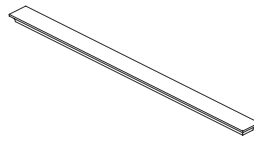
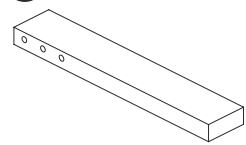
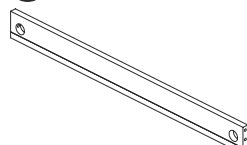
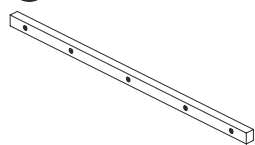
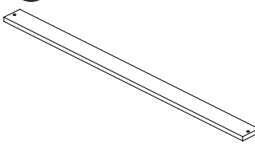
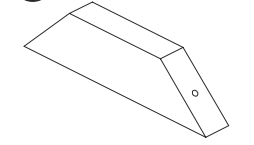
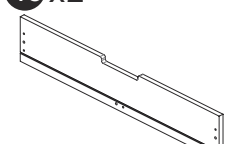
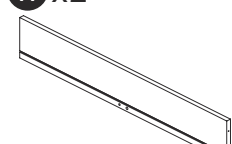

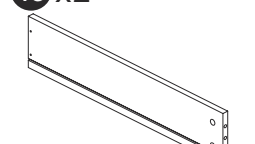
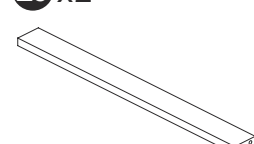
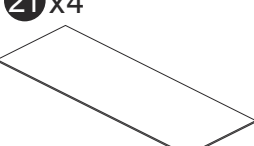
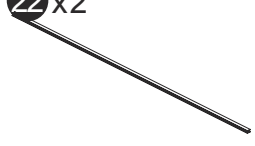
! SAFETY WARNINGS !

1. Please read the instructions fully before assembly. These instructions include important information which could ensure correct assembly. We have been working on providing high quality products for you. However, in the rare instance that your product is defective, missing parts or there are some issues, please don't hesitate to contact our customer service to submit parts requirements, assembly suggestion, or warranty claims, and we will give the best solution as soon as possible. If necessary, we need you to provide some more clear pictures of the issue.
2. Insert the screws in holes and tighten the screws, but not too tight, 70% is ok, finally tighten all the screws. If some issues happened that some screws can not target to the hole or some parts are difficult to install, please adjust the tightness of the screws.
3. 2 people are recommended to finish.




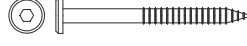
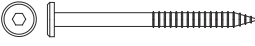
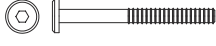
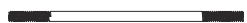
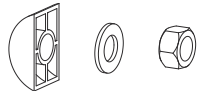


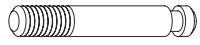


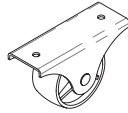



DETAIL VIEW



Part List WF292375AAW/G

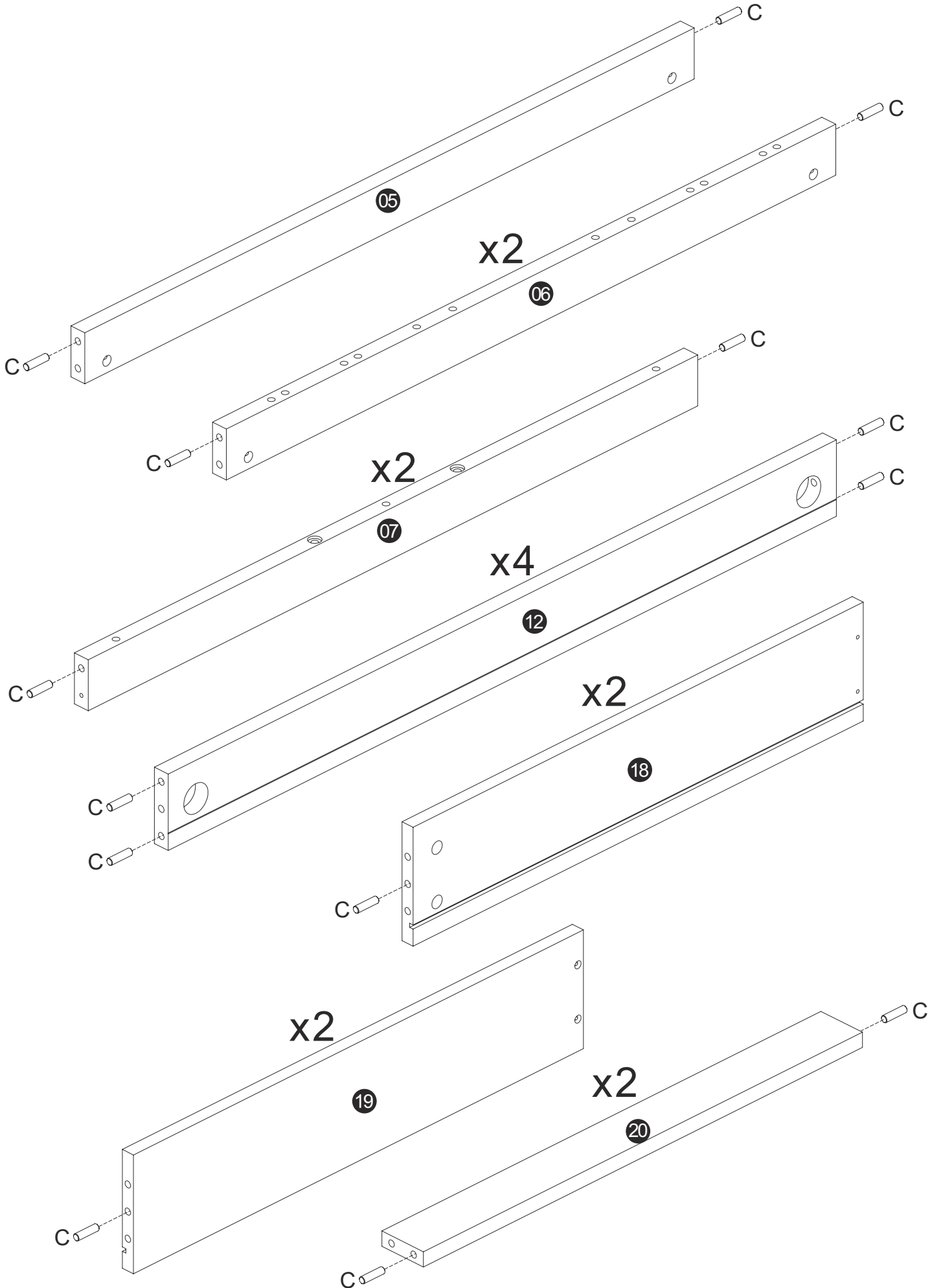
01 x1 	02 x1 	03 x1 	04 x1 	05 x1 
06 x2 	07 x2 	08 x2 	09 x8 	10 x2 
11 x2 	12 x4 	13 x6 	14 x15 	15 x2 
16 x2 	17 x2 	18 x2 	19 x2 	20 x2 
21 x4 	22 x2 			

Hardware List WF292375AAW/G


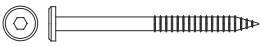
<p>A x10</p>  <p>M6x80</p>	<p>B x6</p> 	<p>C x74</p>  <p>Φ8x30</p>	<p>D x4</p>  <p>Φ6x80</p>	<p>E x8</p>  <p>Φ6x90</p>
<p>F x6</p>  <p>M6x70</p>	<p>G x2</p>  <p>M6x140</p>	<p>H x8</p> 	<p>J x34</p>  <p>Φ4x30</p>	<p>K x30</p>  <p>Φ3x30</p>
<p>L x12</p> 	<p>M x12</p> 	<p>N x8</p>  <p>Φ4x40</p>	<p>P x8</p> 	<p>Q x16</p>  <p>Φ3.5x16</p>
<p>R x1</p> 	<p>S x2</p> 			

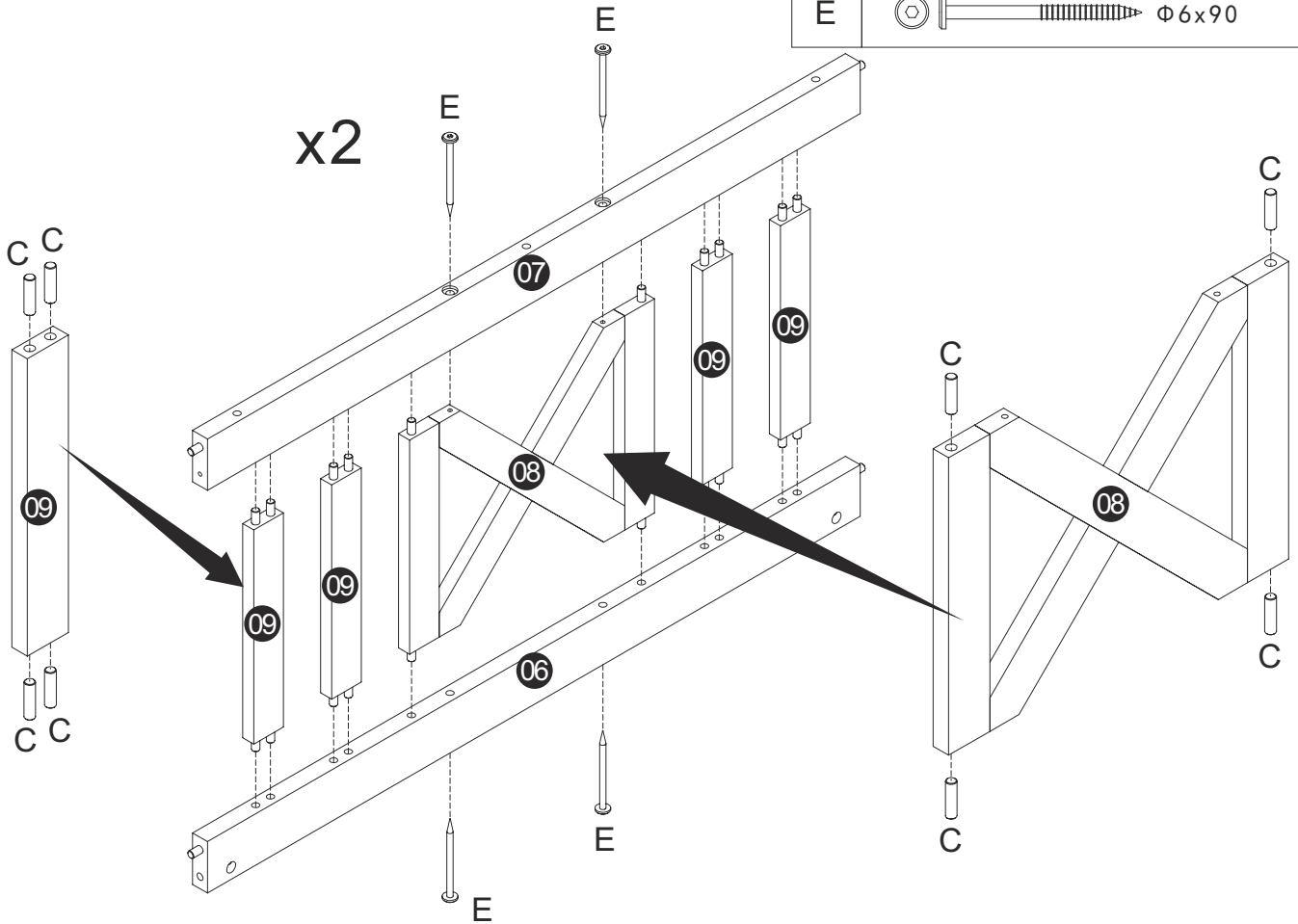
Important information:

Check all the components and screws before assembly. Please don't hesitate to contact us if the package you received is missing parts or screws.

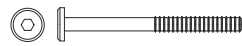

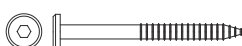


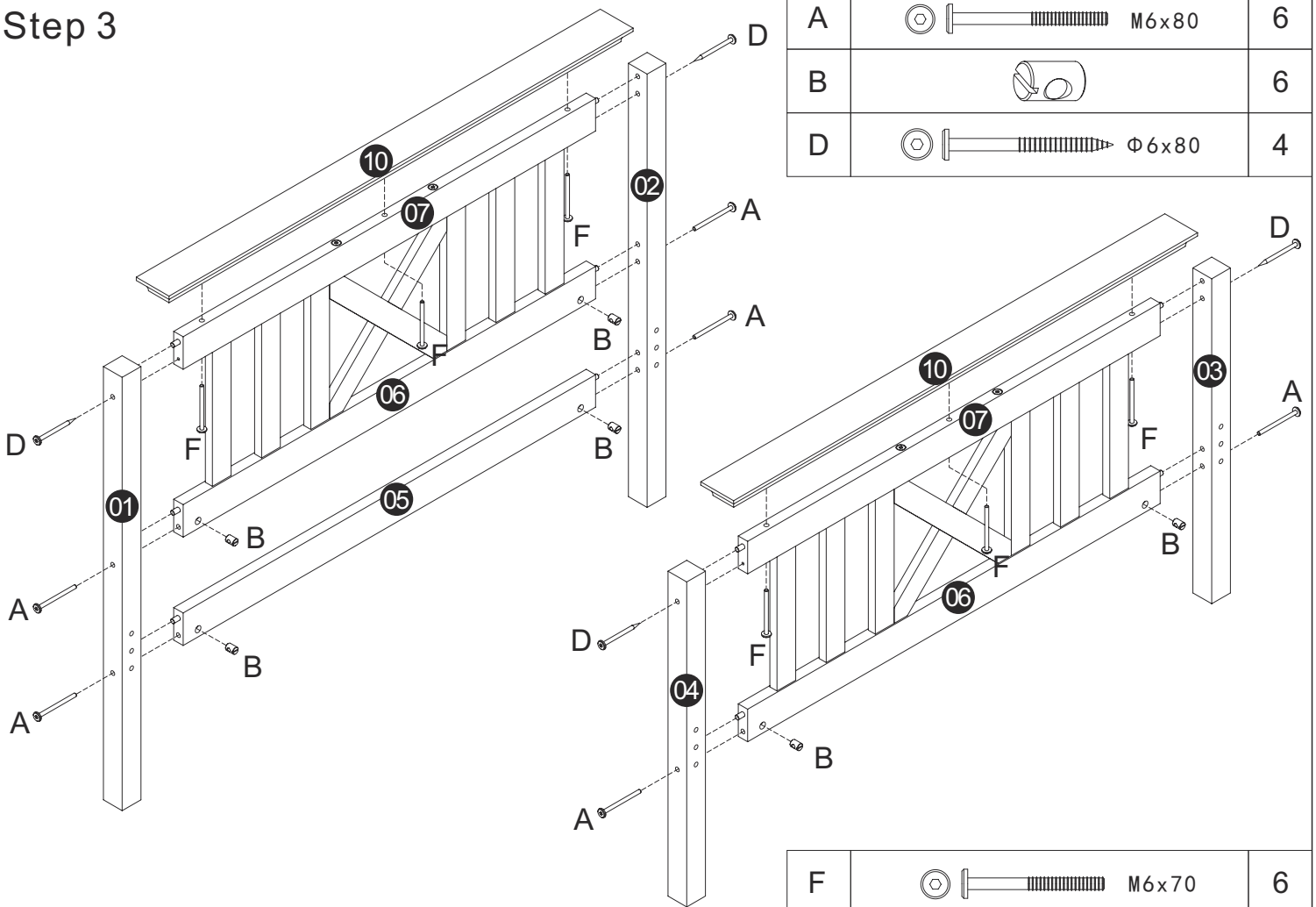
Step 2


C	 $\Phi 8 \times 30$	40
E	 $\Phi 6 \times 90$	8








Step 3

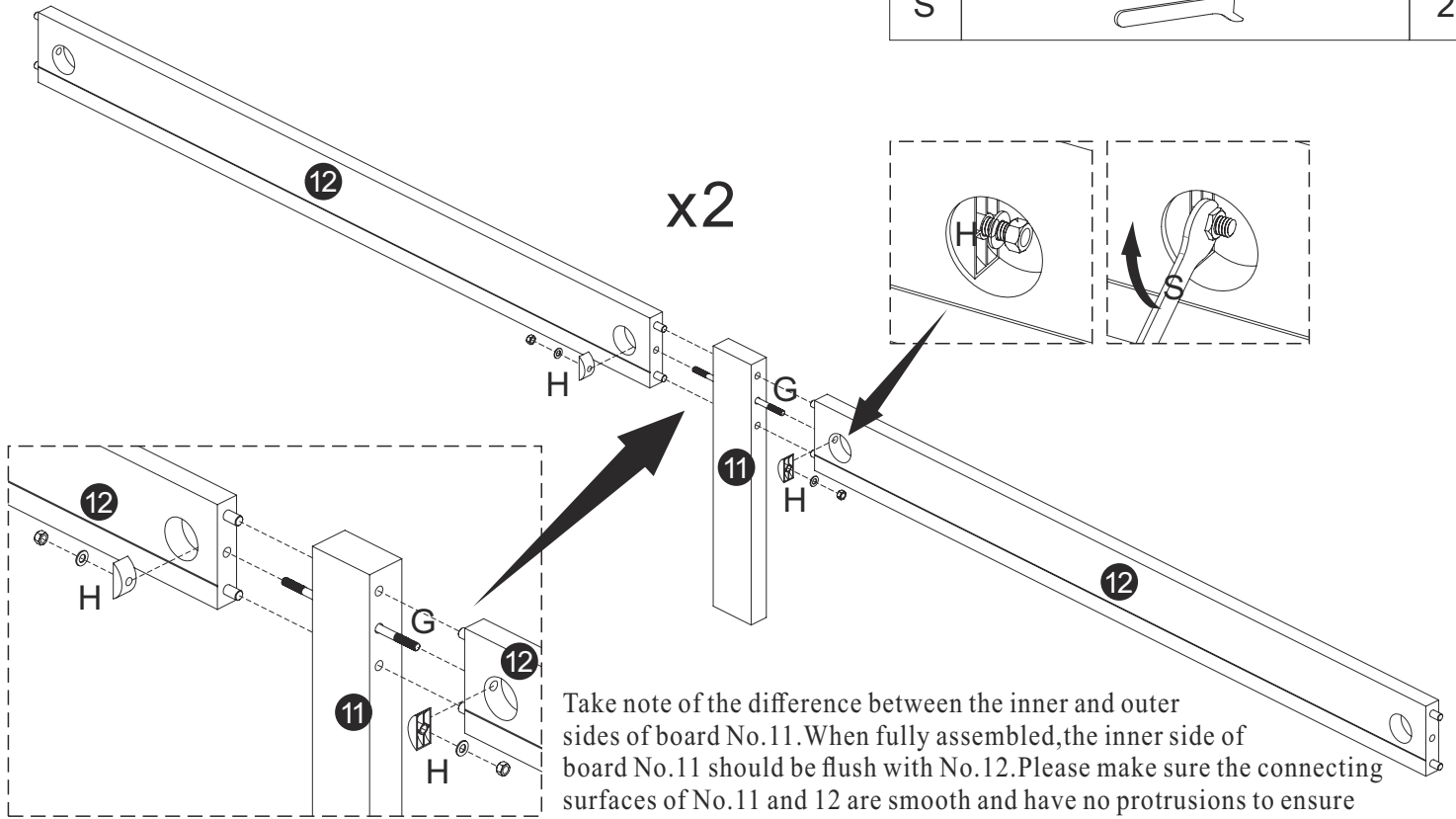
A	 M6x80	6
B		6
D	 $\Phi 6 \times 80$	4




F	 M6x70	6
---	---	---

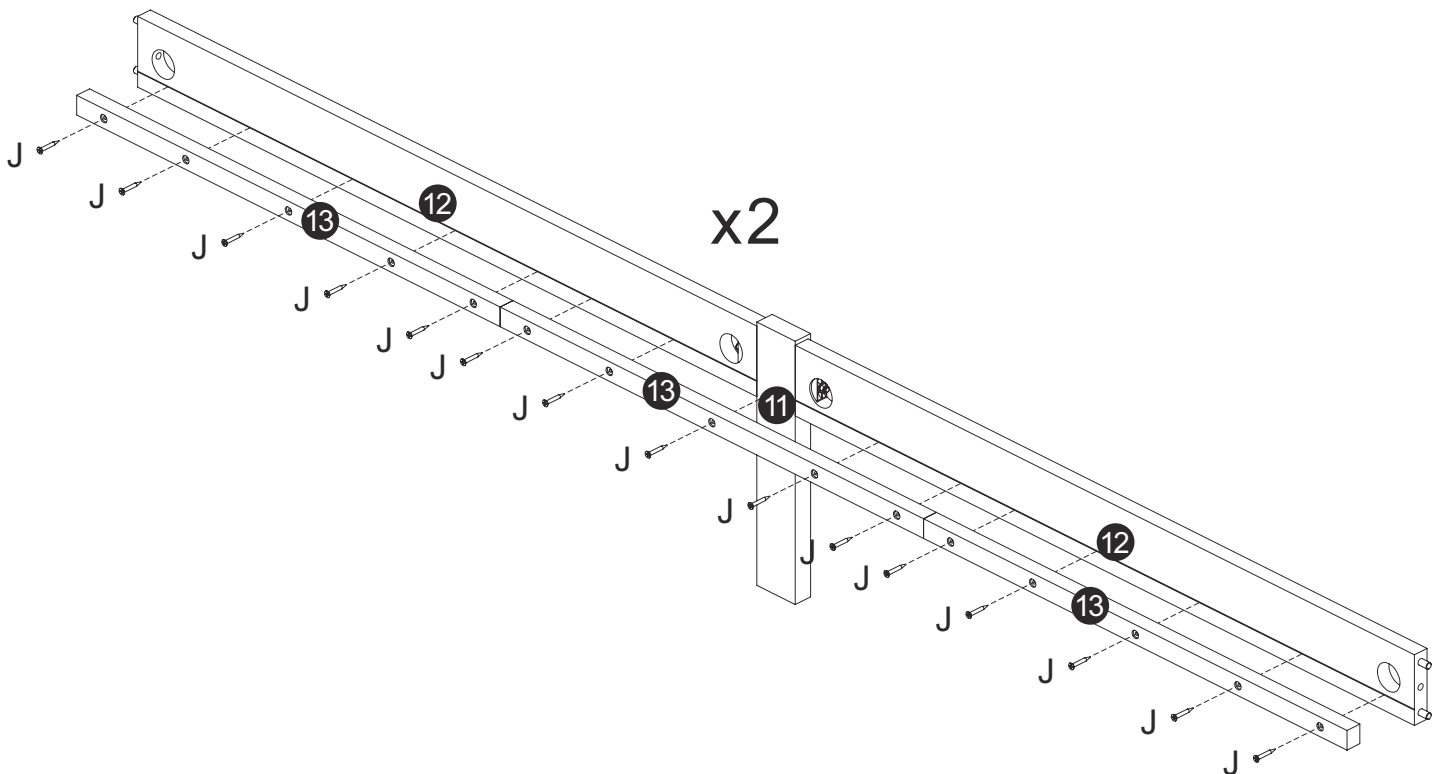
Step 4

G	 M6x140	2
H	  	4
S		2


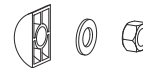


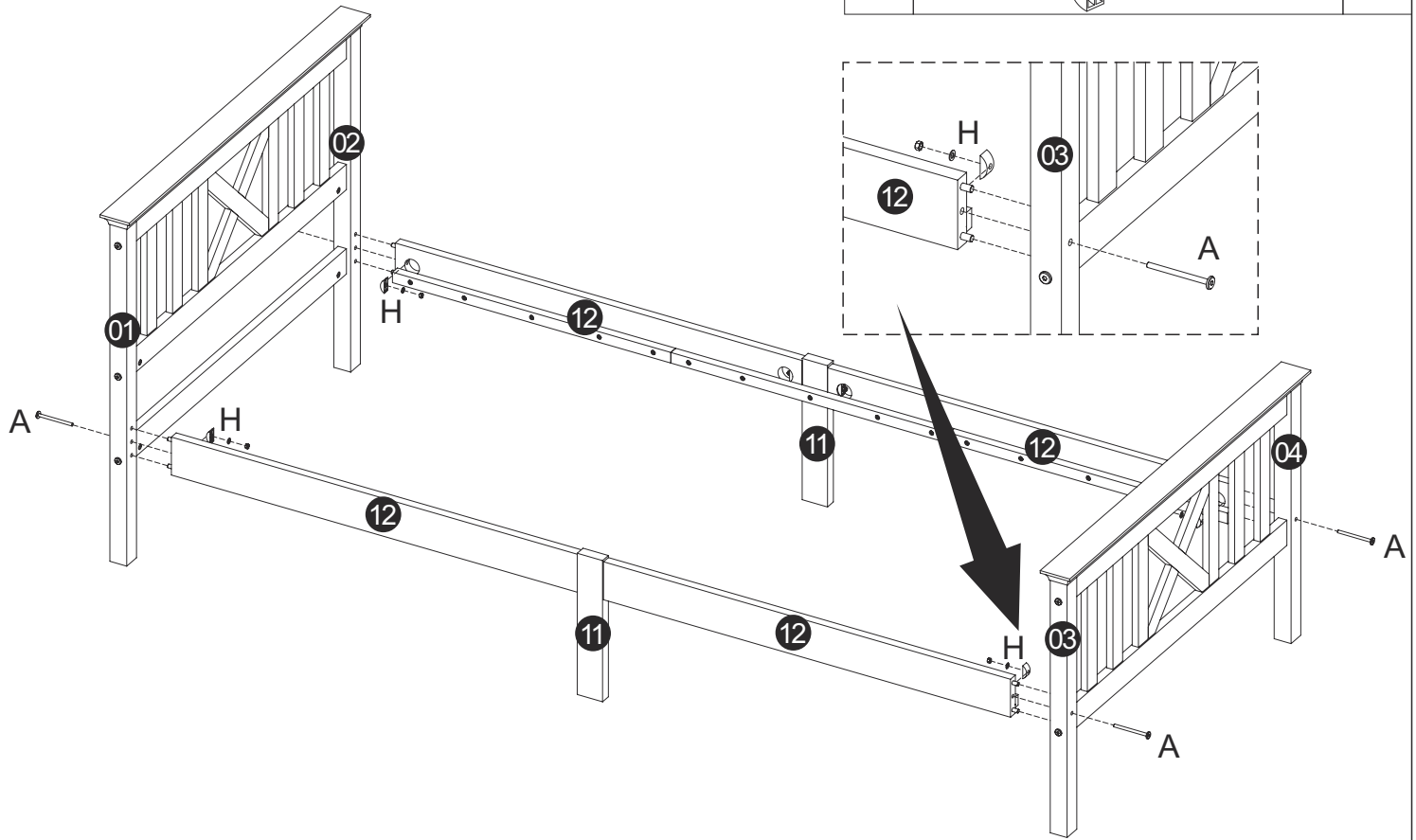
Step 5

J	 $\Phi 4 \times 30$	30
---	--	----




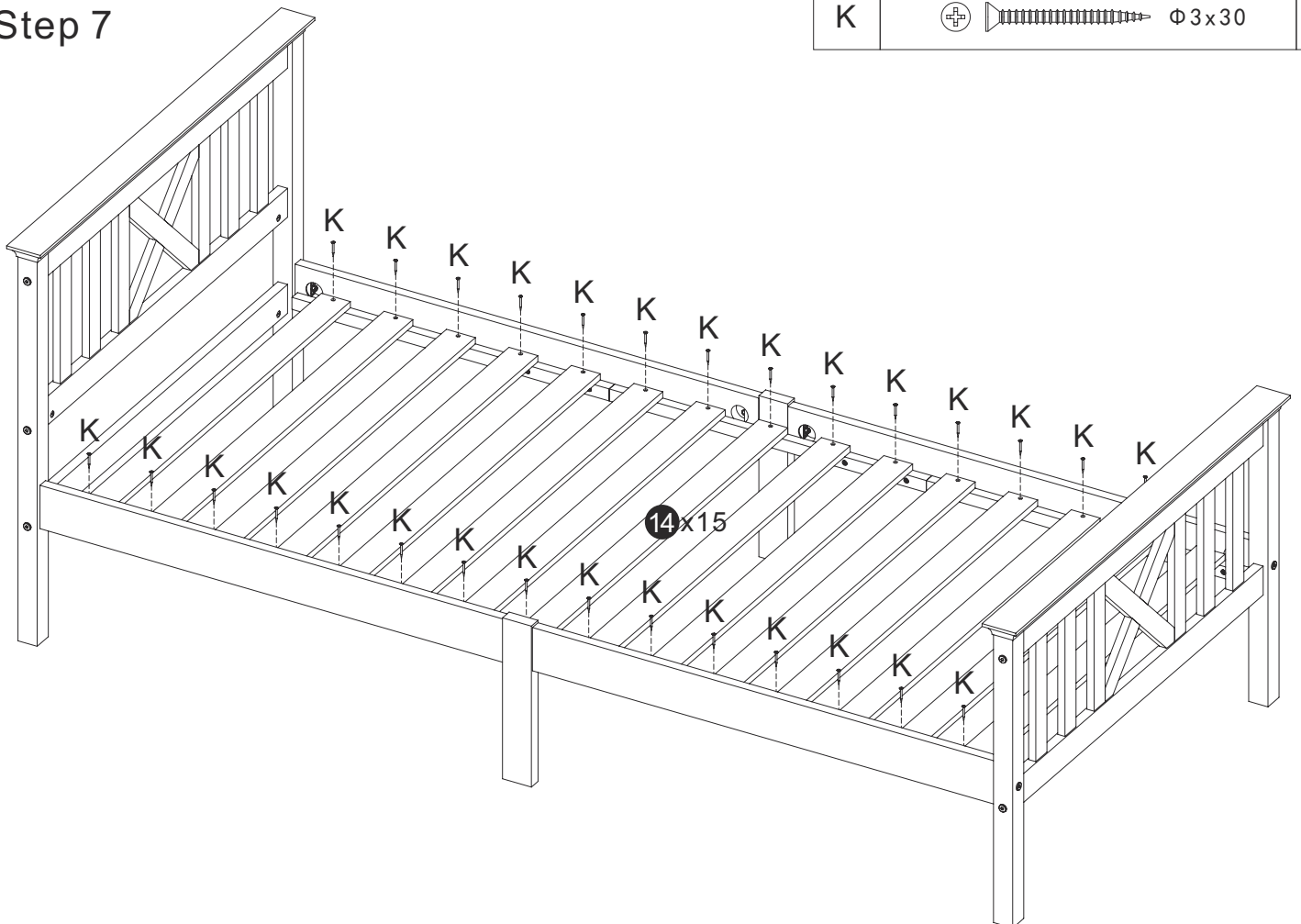
Step 6

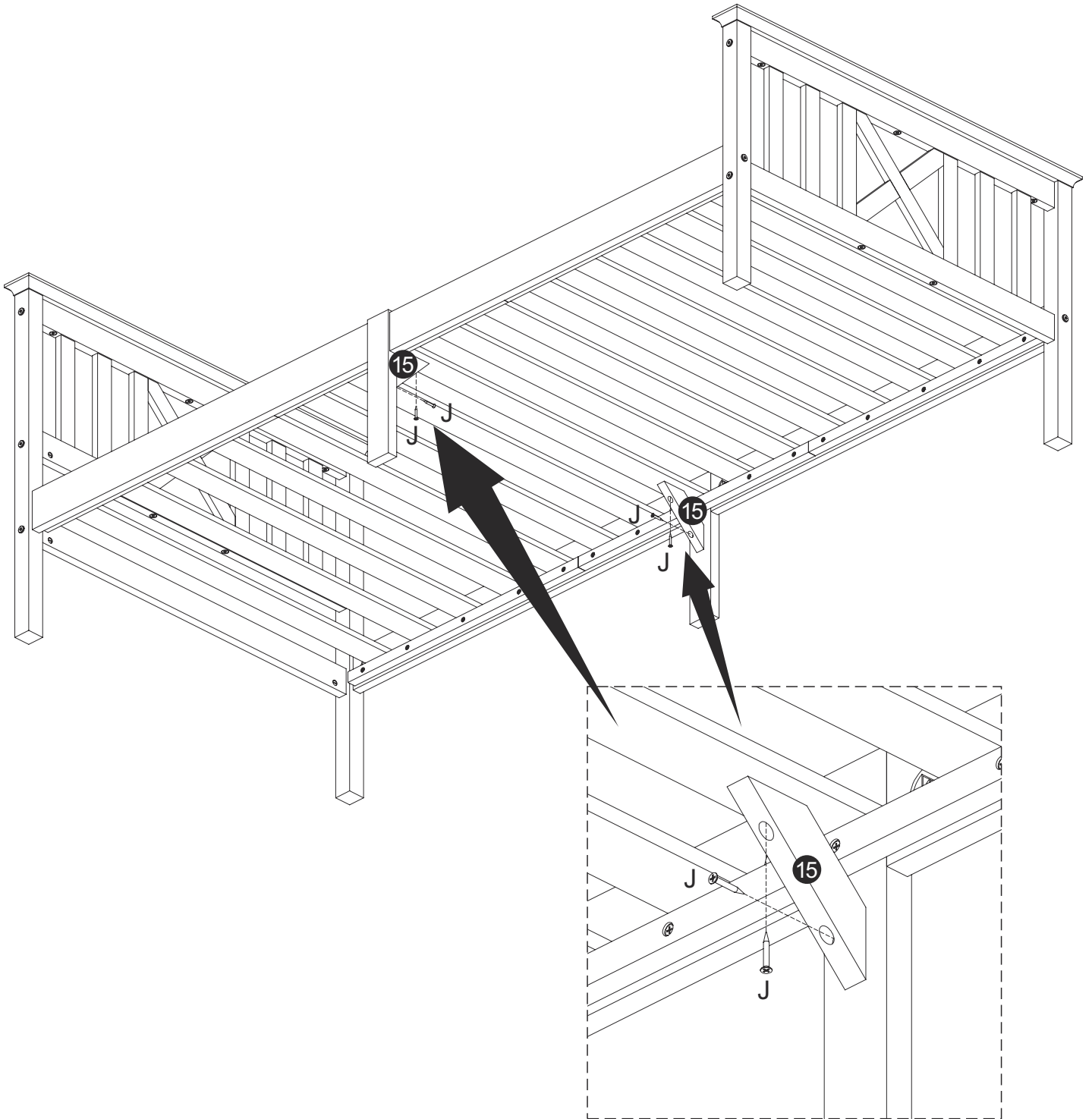
A		M6x80	4
H			4



Step 7

K		Φ3x30	30
---	---	-------	----



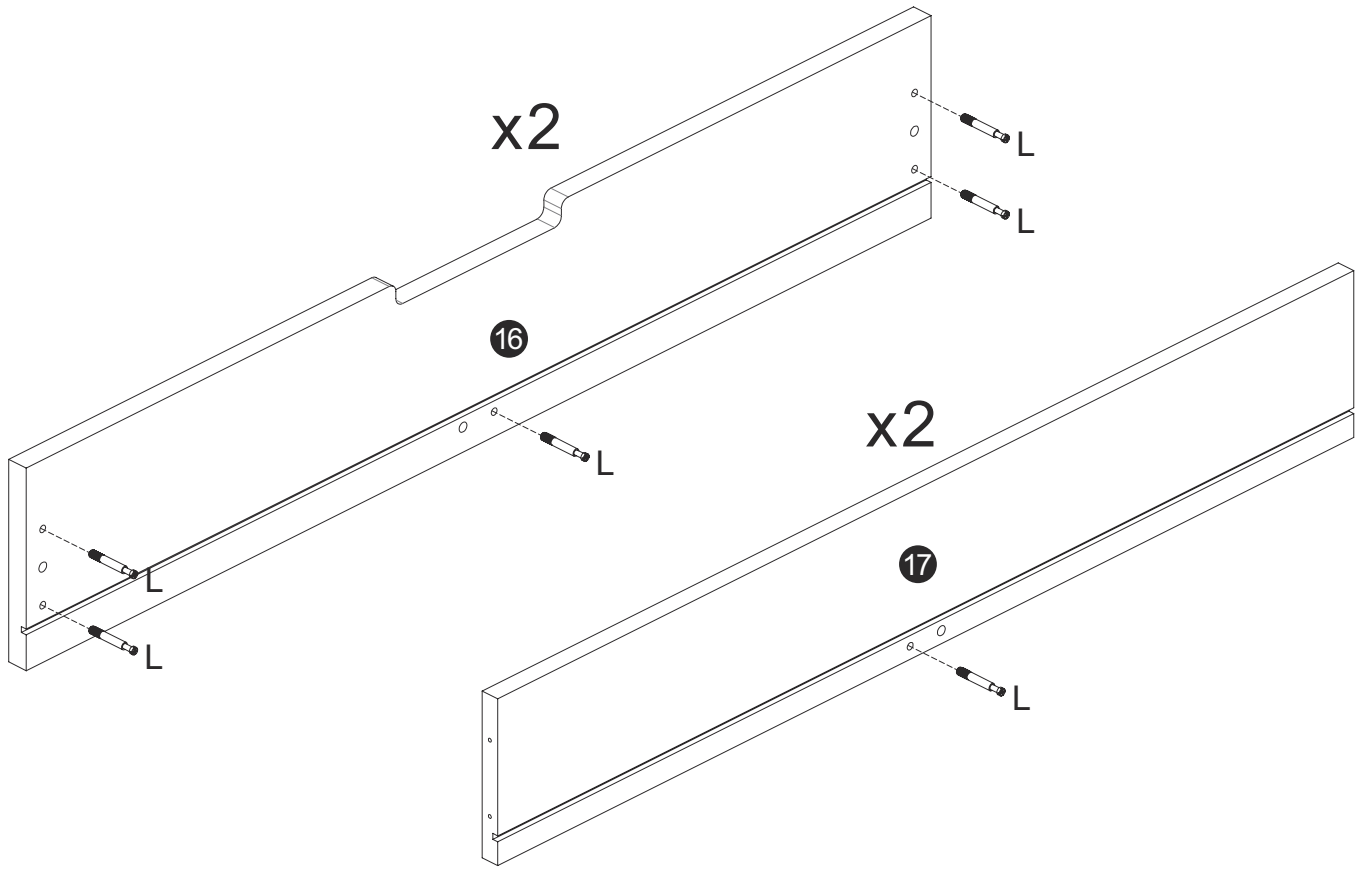


Step 9

L



12

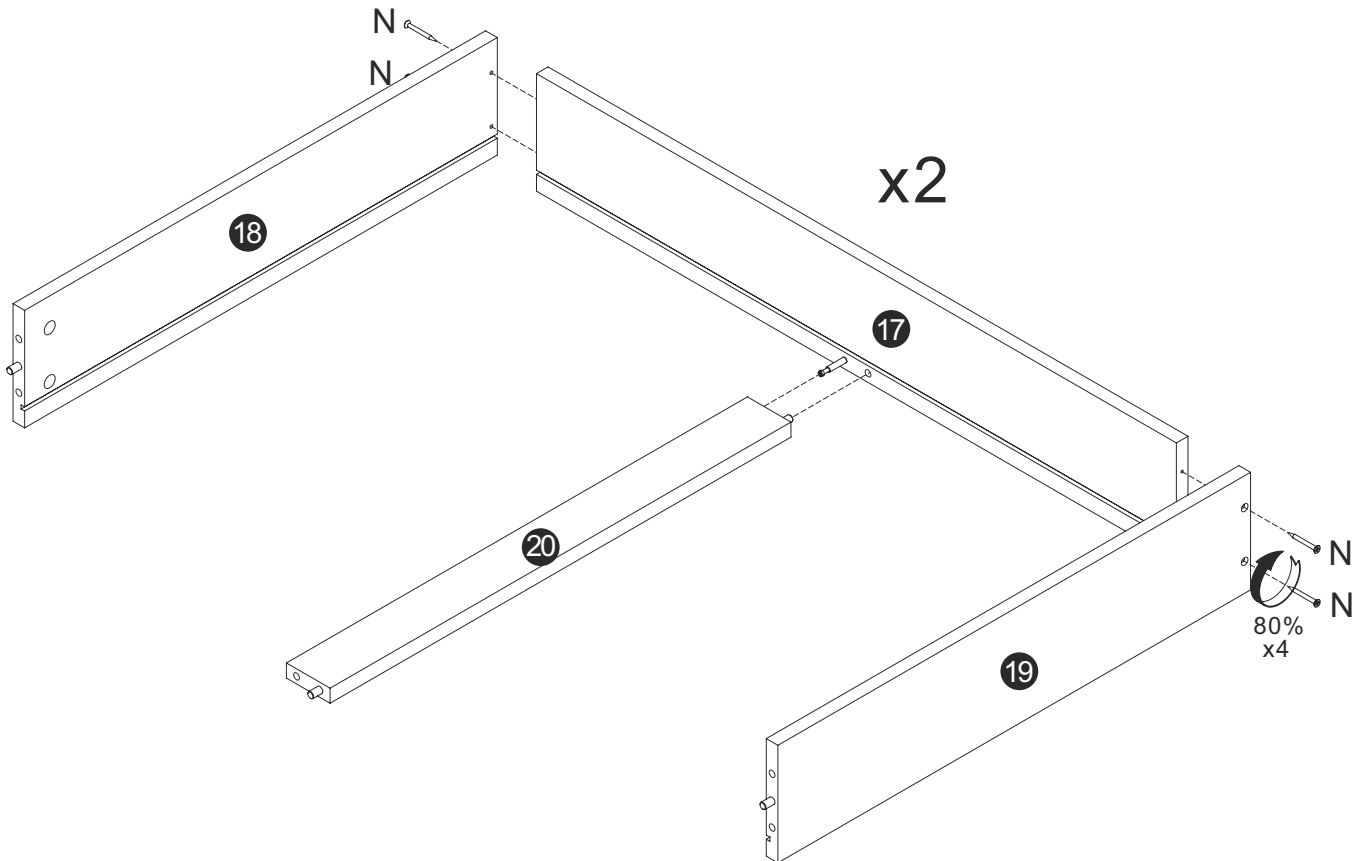


Step 10

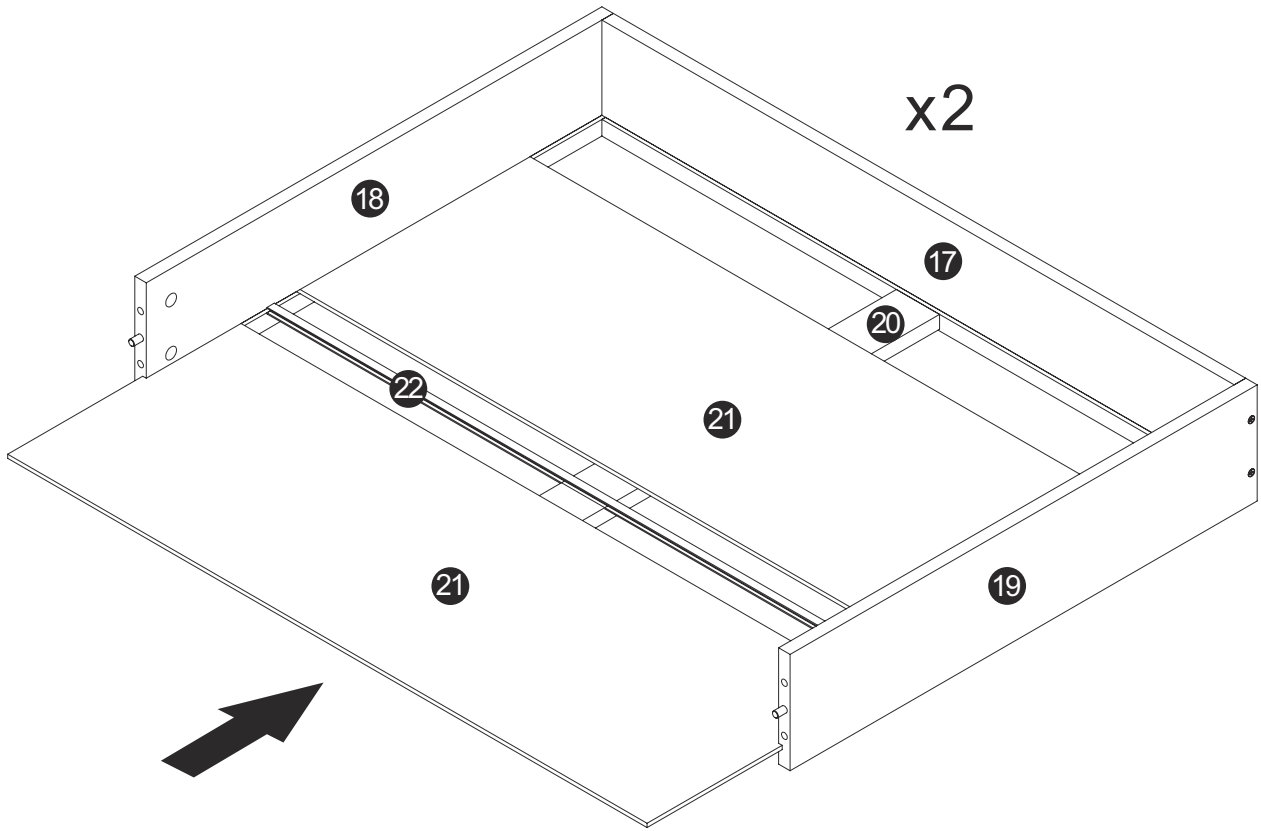
N



8



Step 11

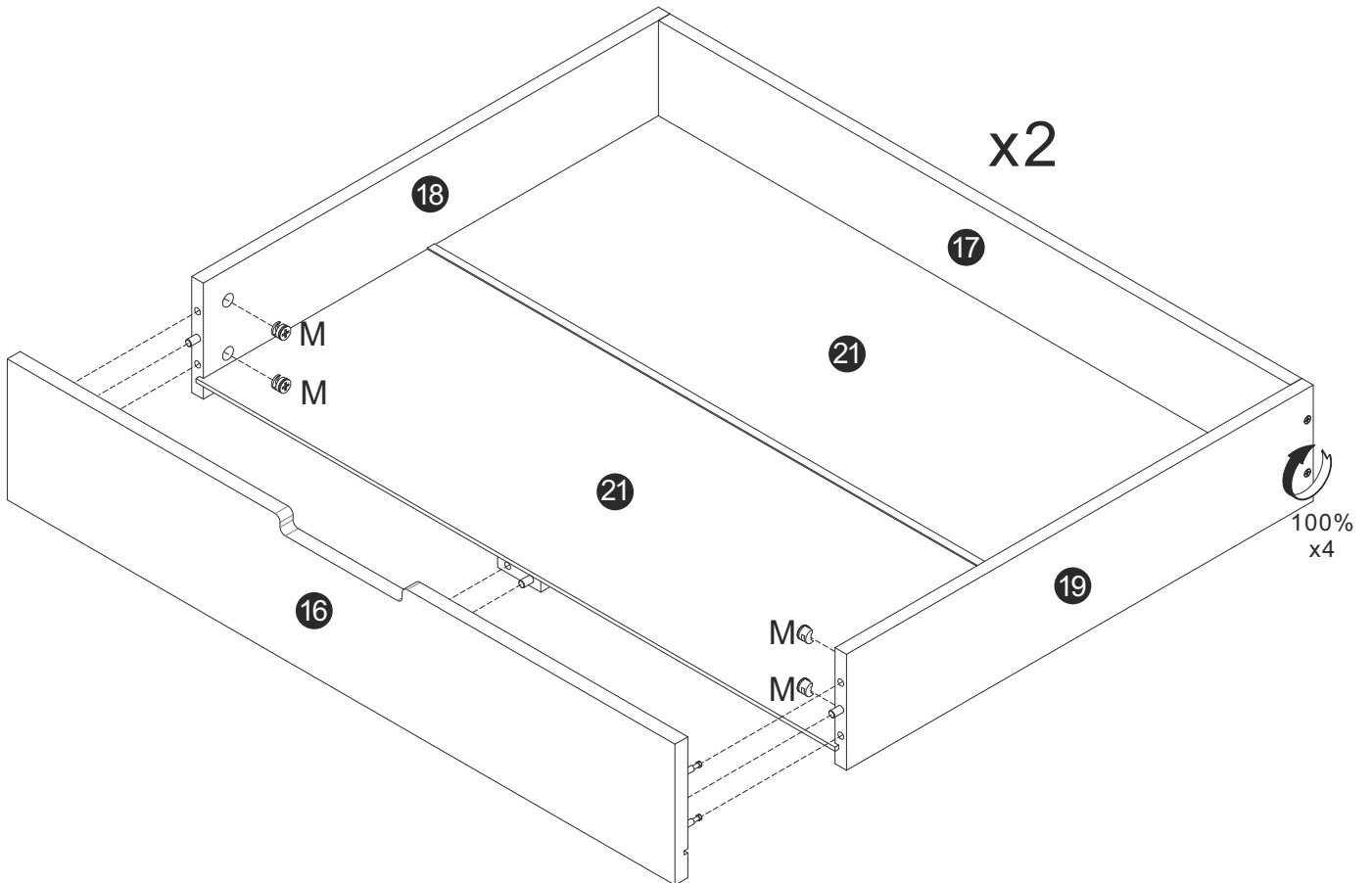


Step 12




M

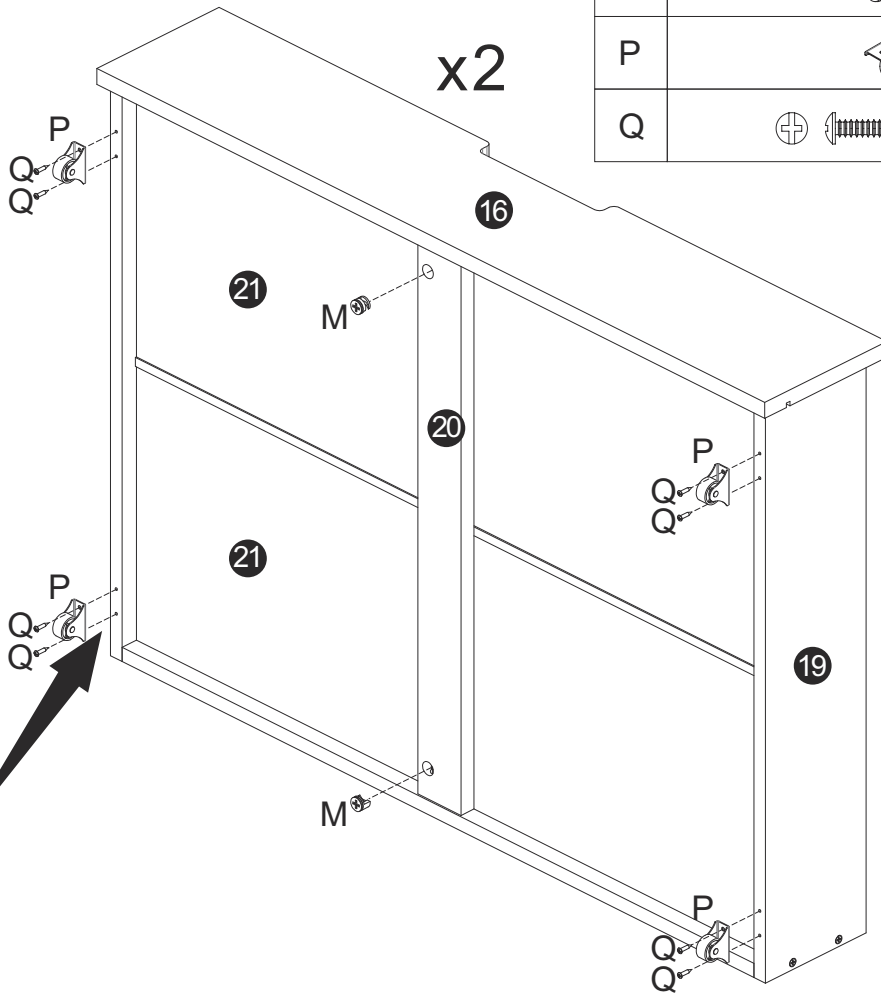


8



Step 13

M		4
P		8
Q	 $\Phi 3.5 \times 16$	16



Step 14

