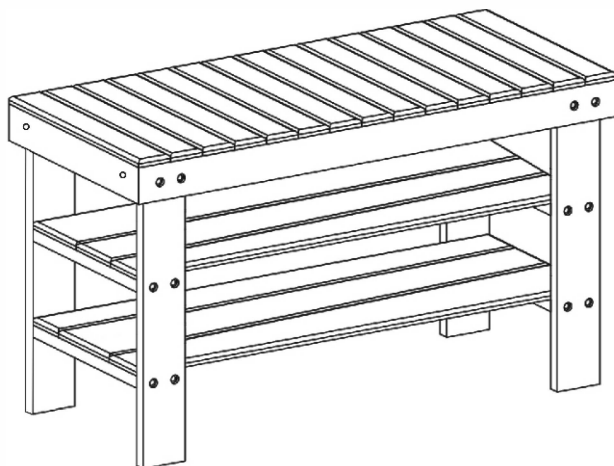


Designed for your house, a New Living Style.



INSTRUCTION MANUAL

Outdoor Storage Bench2

Attention: This instruction contains important safety information, please carefully read it and keep it for future reference...










- Our series cover a vast selection of furniture item spanning **Computer Desks, Side Tables, Garment Racks, Cabinets, Chairs, Bar Stools, Sofas, Ottomans, Bookshelves** and **Living Room Sets, etc**, all of which are geared towards addressing various tastes and budgets.
- It is our sincere hope that our furniture items could be acting as helpful companions in your life and work. We attach great importance to customer experience and promise to serve each consumer wholeheartedly by bringing them as much value as possible; whenever you are running into any problems while assembling or using our furniture items, please touch base with us, our Customer Service team is available to provide necessary assistance to address your needs and concerns.
- Thank you for your purchase, we are committed to providing you with high value and superior quality products characterized by sturdy build, user-friendly design and reasonable pricing.

Attention:

- Extra hardware parts and foot pads are provided for the purpose of possible repair or replacement in the future.
- In the process of assembly, be sure to keep all small parts in the package out of reach of babies and children, which pose a choking hazard if swallowed or inhaled; keep the packaging materials (film, plastic bags, foam, etc.) away from babies and children to avoid potential dangers of suffocation.
- Avoid using strong power tool for avoiding to crack the HDPE board when assembling.
- Do not fully tighten any screw until all screws are aligned with their corresponding holes.
- Two persons are required for the assembly; for the purpose of a time-saving and hassle-free assembly, please act in compliance with the step-by-step instructions.
- The seller bears no responsibility and/or liability for any personal injury and/or property damage arising from improper use or incorrect assembly .
- During the assembly, please be wary of sharp corners of the panel , it is commended to wear a pair of gloves when you come into contact with these parts.
- Any unauthorized modification to this item will void its warranty.

Parts List

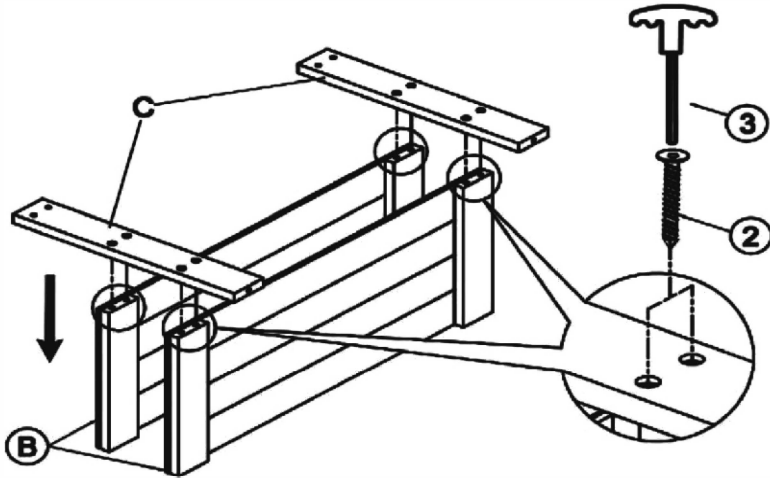
Prior to assembly, check to see if all parts and hardware are included as follows, should any part be found missing or defective, please reach out to our customer service for further assistance.

1 M6x45mm BOLT  8PCS	2 M6.3X45mm SCREW  16PCS	3 WRENCH  1PC
4 M6 NUT  8PCS	5 Flat Washer  8PCS	6 WRENCH  1PC
A SEAT  1PC	B SHELF  2PCS	C LEG  4PCS

Assembly Steps

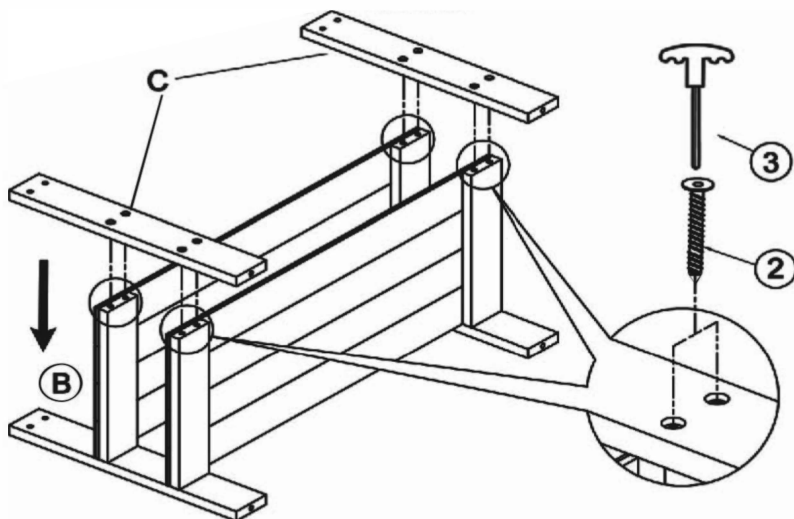
Step 1

Attach Legs C to shelves B. Secured with Screws (2) and Wrench (3). Lightly tighten the screws.



Assembly Steps

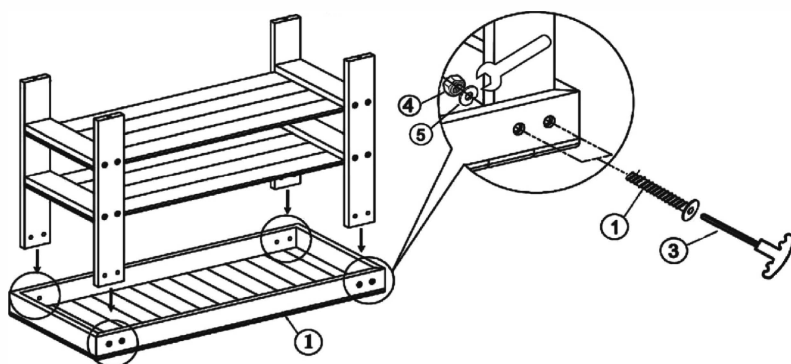
Step 2 Attach Legs C to Shelves B. Secured with Screws (2) and Wrench (3). Lightly tighten the screws.



Assembly Steps

Step 3

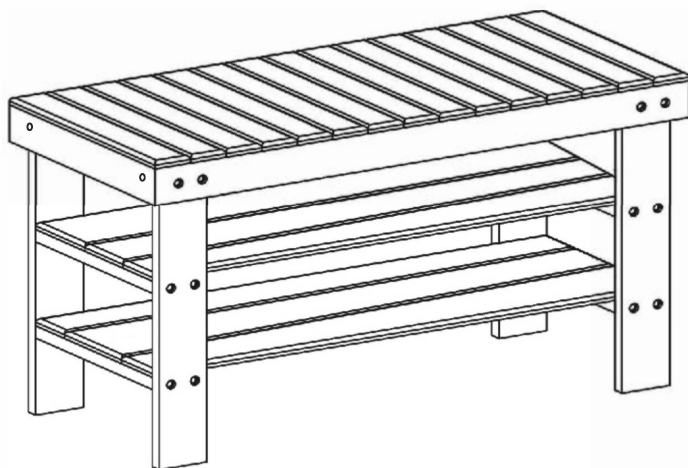
Attach Legs C to Seat A. Secured with Screws (1) Flat Washer (5), Nut (4) and Wrench (6). Tighten all the screws.



Assembly Steps

Step 4

Assembly completed.



Care and Maintenance:

- It is recommended to wipe off the dust gathering on the side table with a soft and clean piece of dry cloth.
- Do not use solvents of any kind, as they may damage the surface of the item.
- It is essential to check if any screws/bolts are loosened periodically and then tighten them accordingly.
- Do not use or store this item in the proximity of open flame or flammable/combustible chemicals.
- Weight capacity for side table top weight is 200lbs and 50lbs for bottom shelf, to make the side table work as intended, please make sure the total weight of objects placed on top is below 200lbs and on bottom shelf is below 50lbs.
- Keep the side table away from pointed objects or corrosive chemicals to protect its surface from being damaged.
- Never stand, sit or lie on the side table, nor it can be used as a ladder.
- Following the tips above will help the item retain its performance even when it ages over time.
- Additional note about safety: Bolts may loosen during normal everyday use. They should be periodically inspected and re-tightened to prevent damage or injury. Remember to save your wrench to use to tighten.