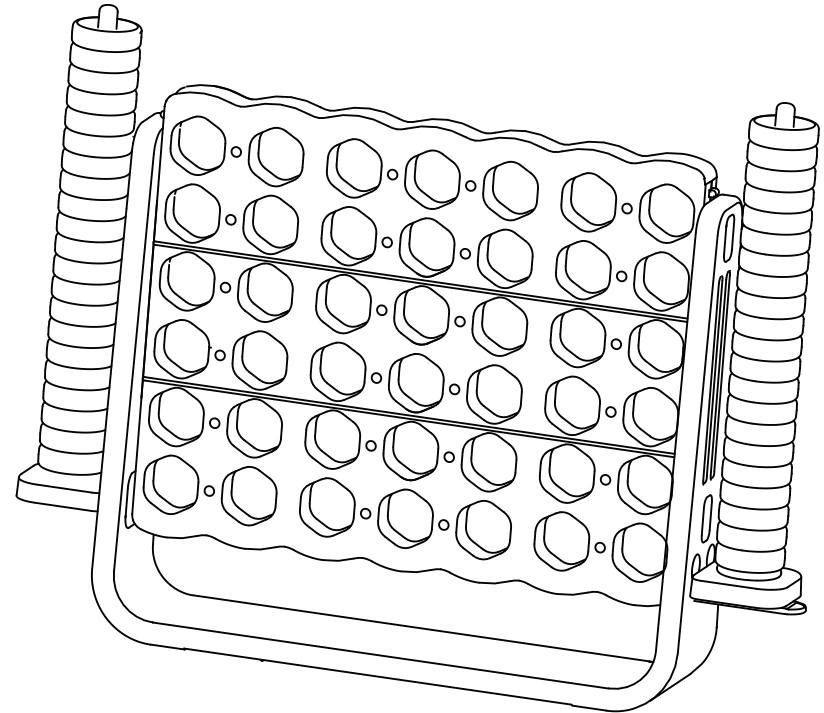


# User Manual

**Nyeekoy**






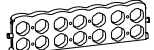







Model Number: TH17X0875

# You need

1 or 2 persons are needed



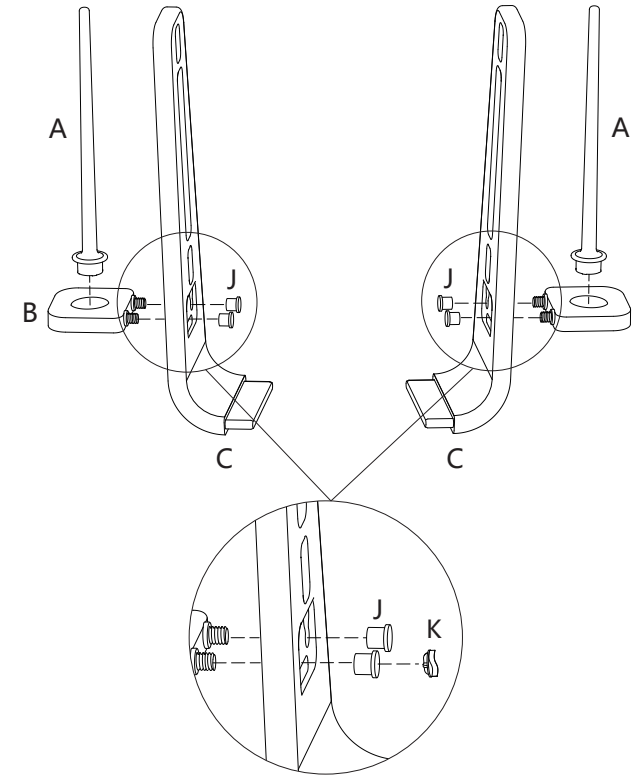
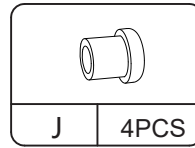
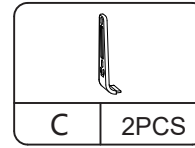
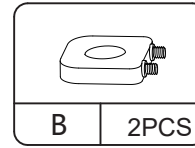
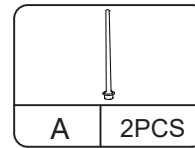
## Hardware List

 A   2PCS	 B   2PCS	 C   2PCS	 D   2PCS
 E   1PC	 F   2PCS	 G   1PC	 Yellow H   21PCS
 Green I   21PCS	 J   4PCS	 K   1PC	

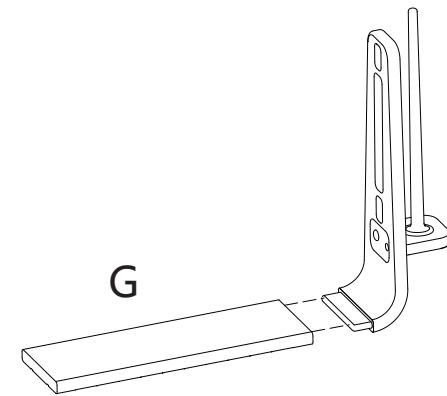
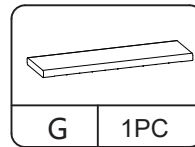
## PRODUCT ASSEMBLY

 Check the package contents before getting started !

### STEP 1

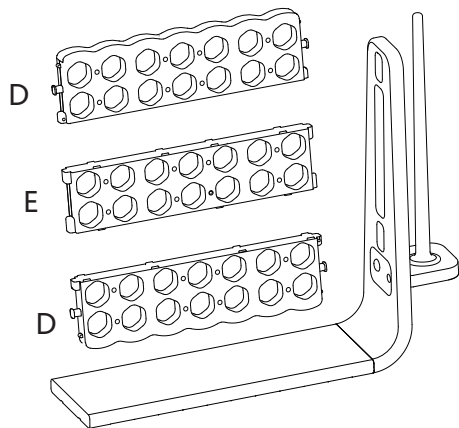
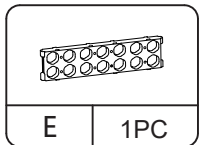
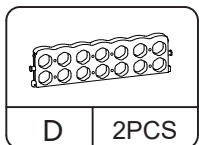


### STEP 2

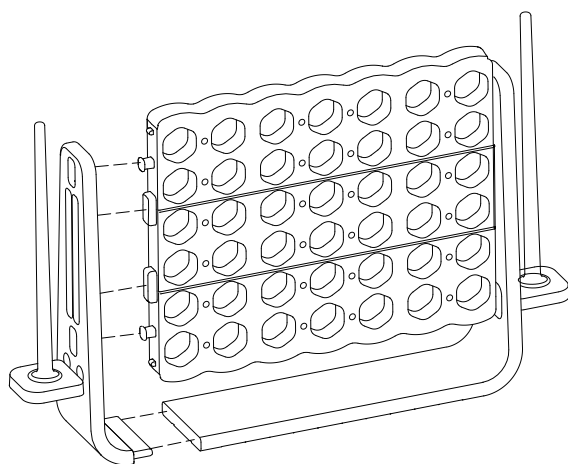


PRODUCT ASSEMBLY

STEP 3

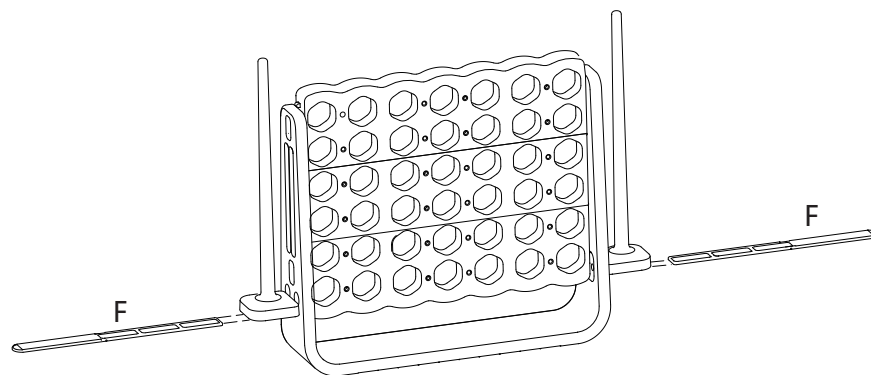
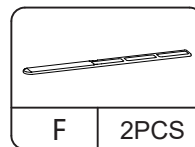


STEP 4




PRODUCT ASSEMBLY


STEP 5

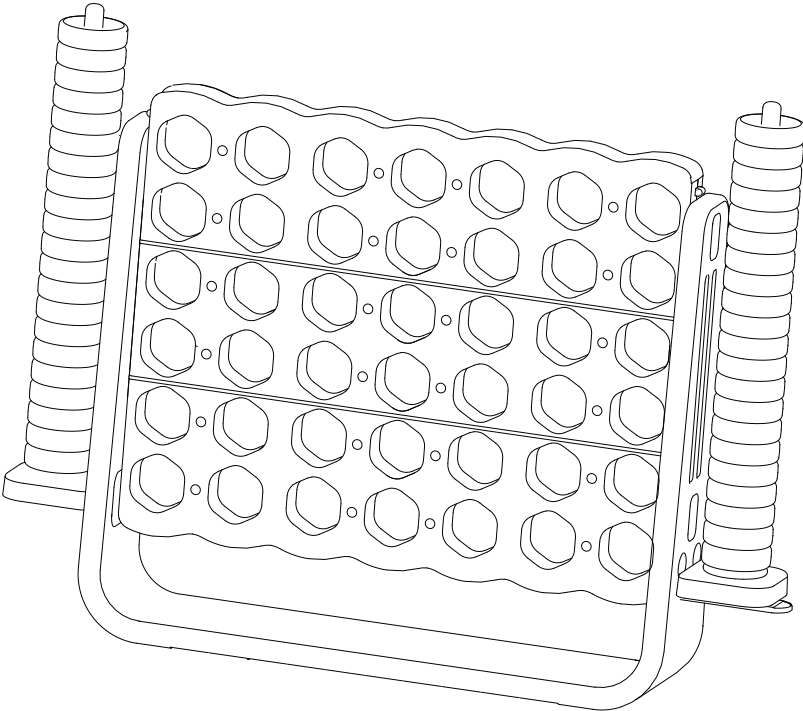


PRODUCT ASSEMBLY

STEP 6

	
Yellow	
H	21PCS

	
Green	
I	21PCS



Put donuts on pegs