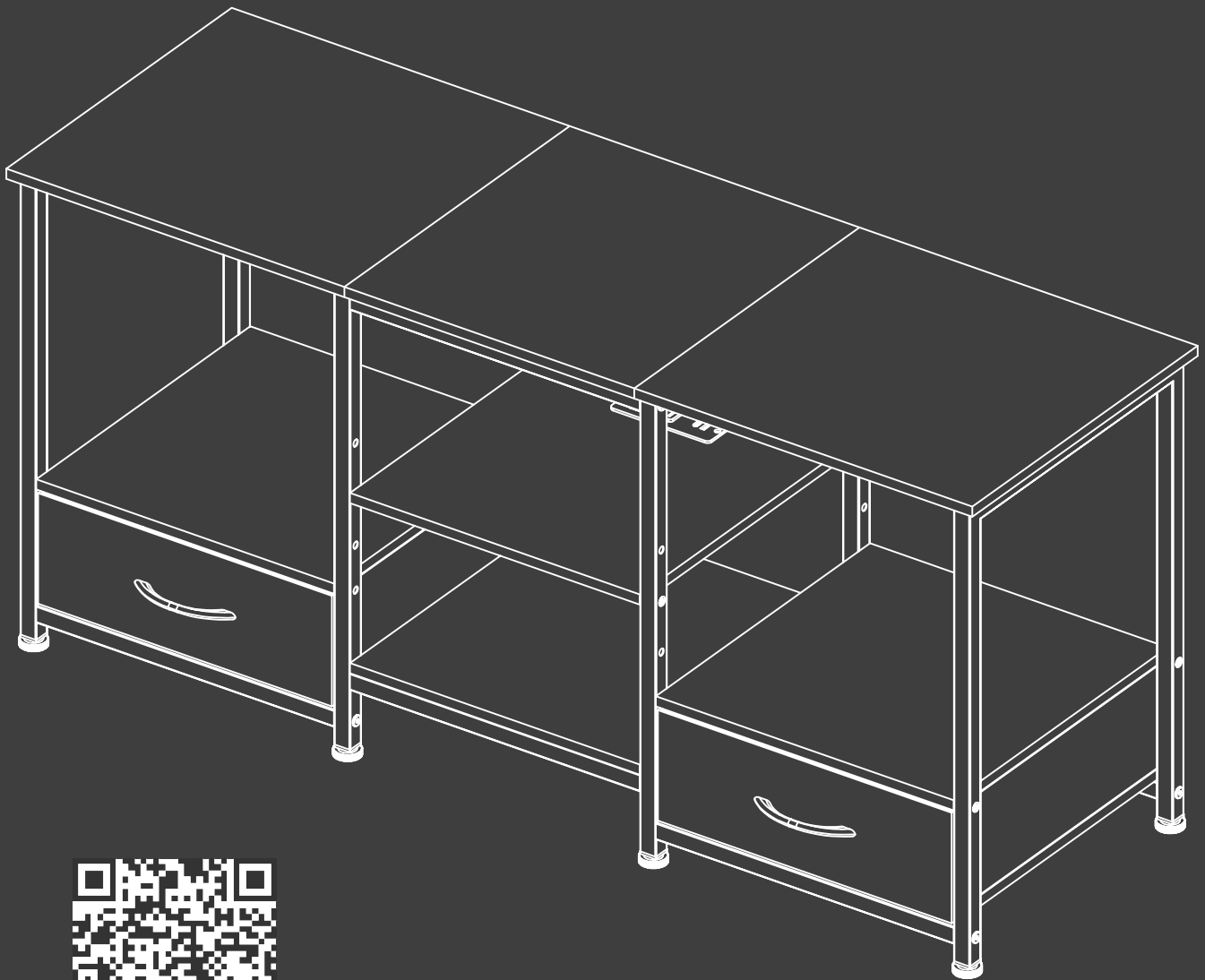


TV Stand with Drawers

Instruction Manual

TVS-2C47IN

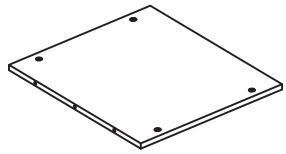


 EST 9:00AM--17:00PM

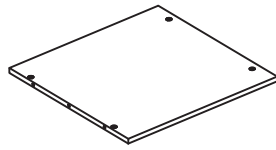
 HJ-Customer-Service@outlook.com

 (909)637-7665 | (909)637-7593

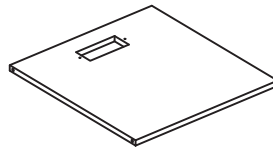
1 Components List



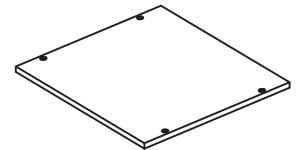
① Middle Top Board x1



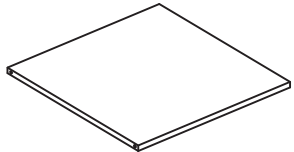
② Side Top Board x2



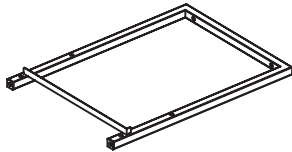
③ Middle Shelf x1



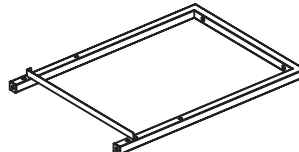
④ Bottom Shelf x1



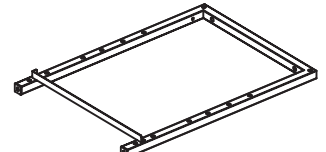
⑤ Side Shelf x2



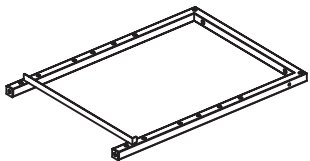
⑥ Left Frame x1



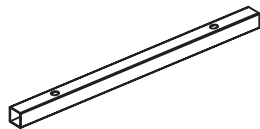
⑦ Right Frame x1



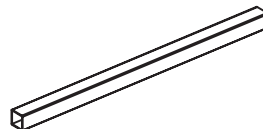
⑧ Left Inner Frame x1



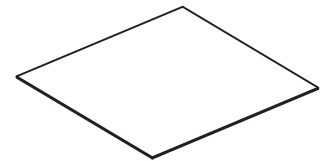
⑨ Right Inner Frame x1



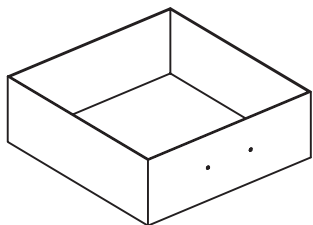
⑩ Middle Crossbar x4



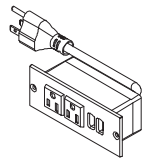
⑪ Side Crossbar x4



⑫ Drawer Base Panel x2



⑬ Fabric Drawer x2



⑭ Power Outlet x1

2 Supplied Parts and Hardware

Ⓐ x32+1



M6x28

Ⓑ x12+1



M6x40

Ⓒ x6+1



∅ 6x30

Ⓓ x4



M4x10

Ⓔ x2



M3.5x9

Ⓕ x2



Handle

Ⓖ x8



Leveling Feet

Ⓗ x2

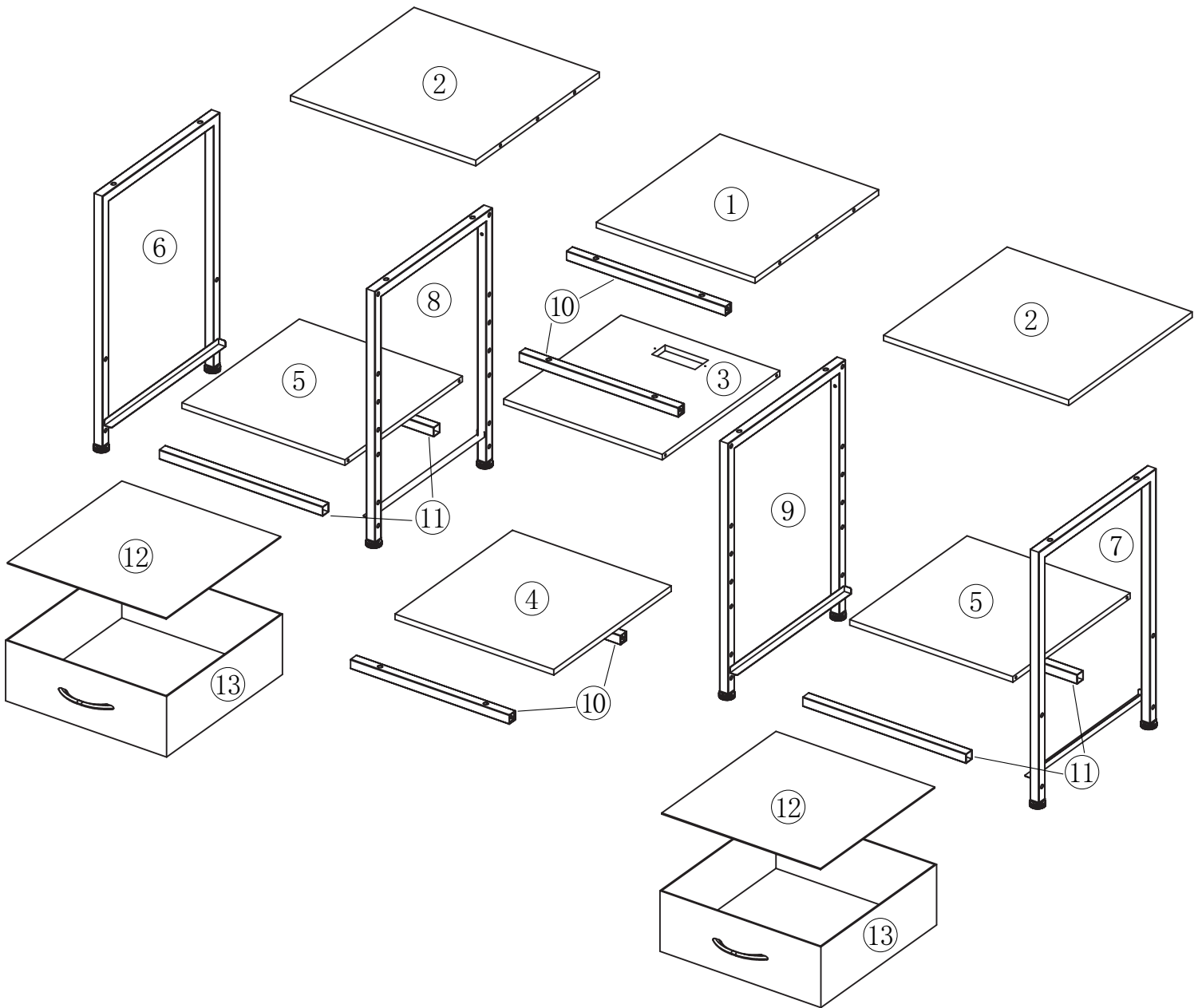


Wall Anchor Kit

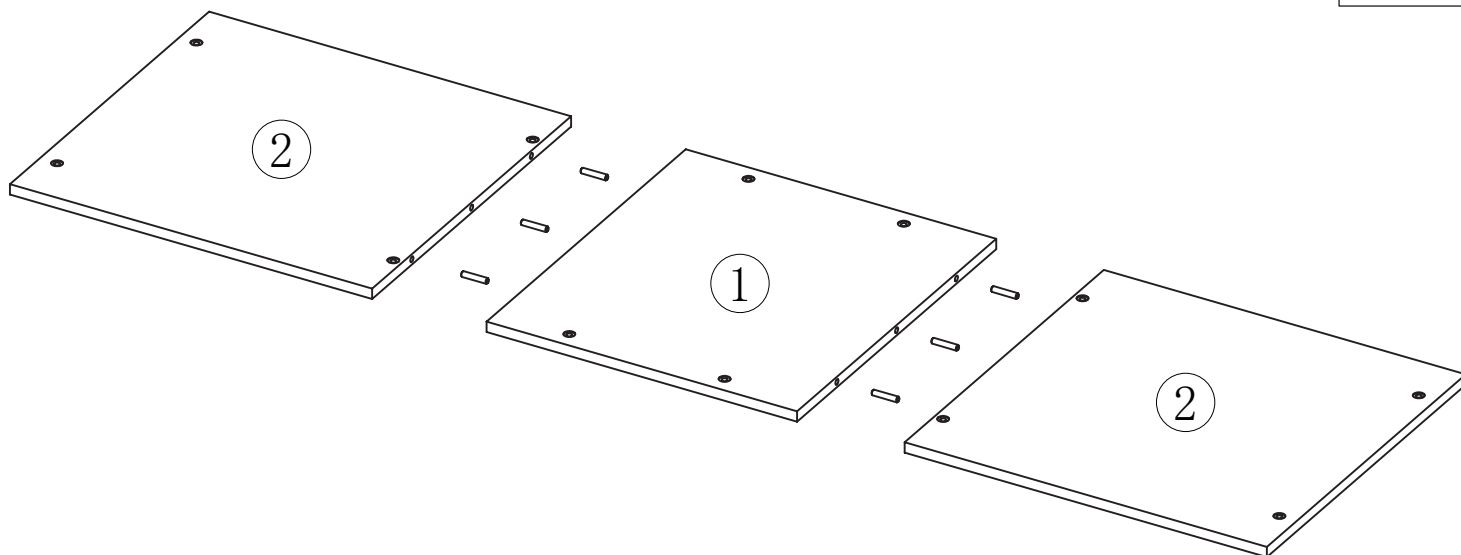
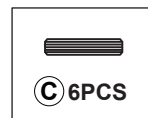
Ⓘ x1



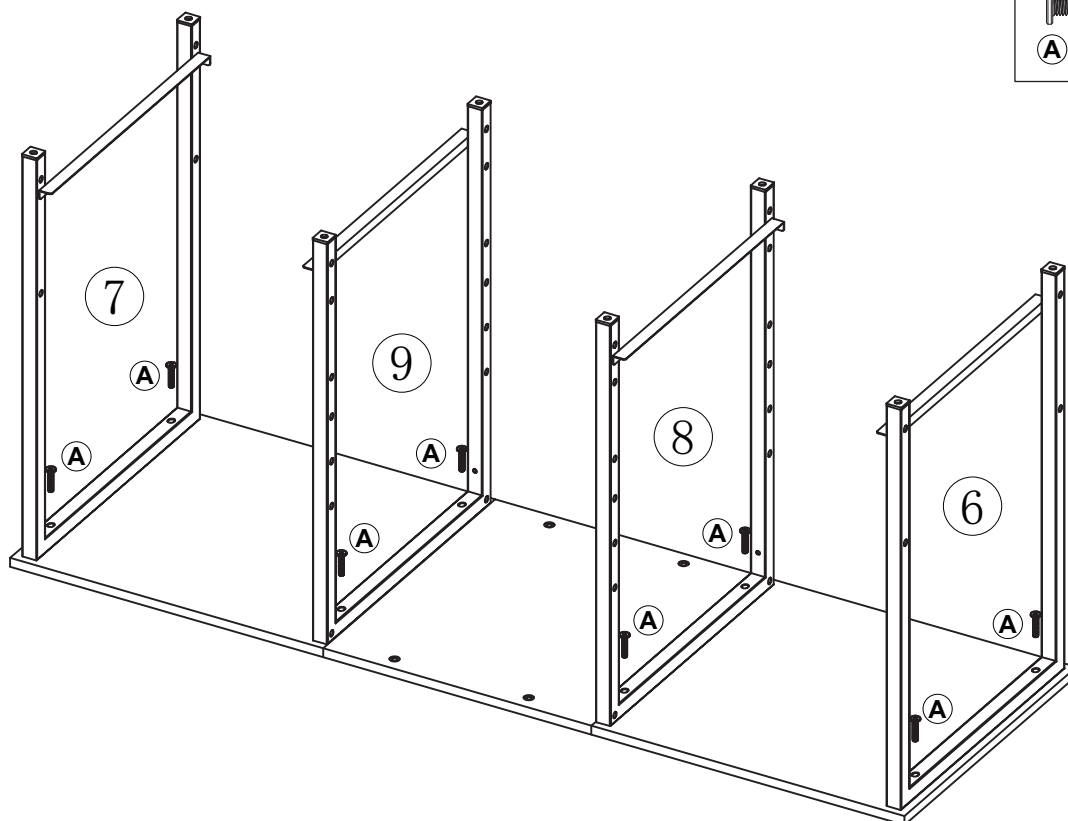
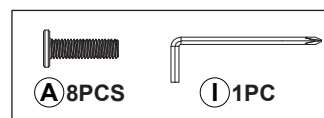
Allen Key



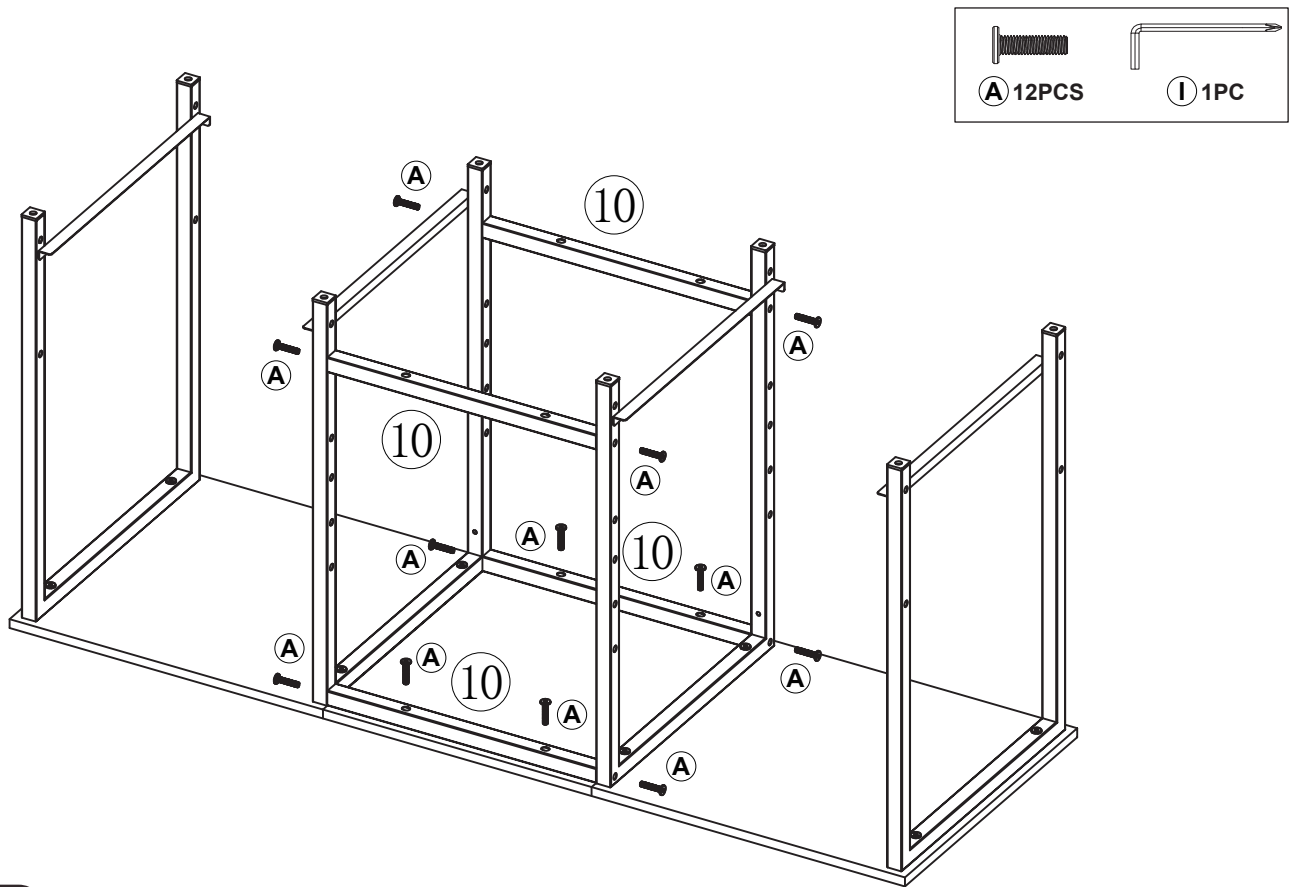
Step 1



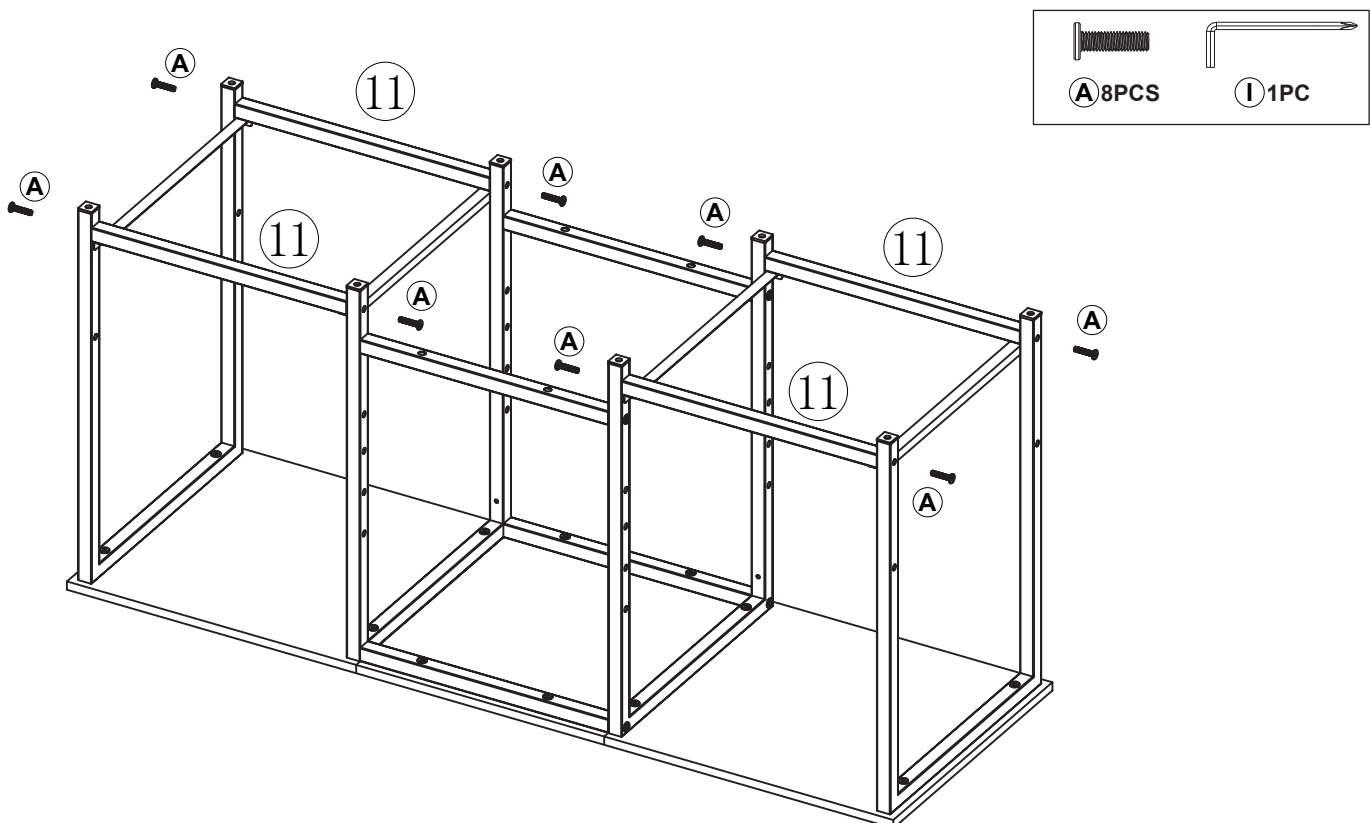
Step 2



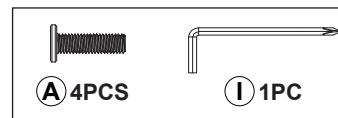
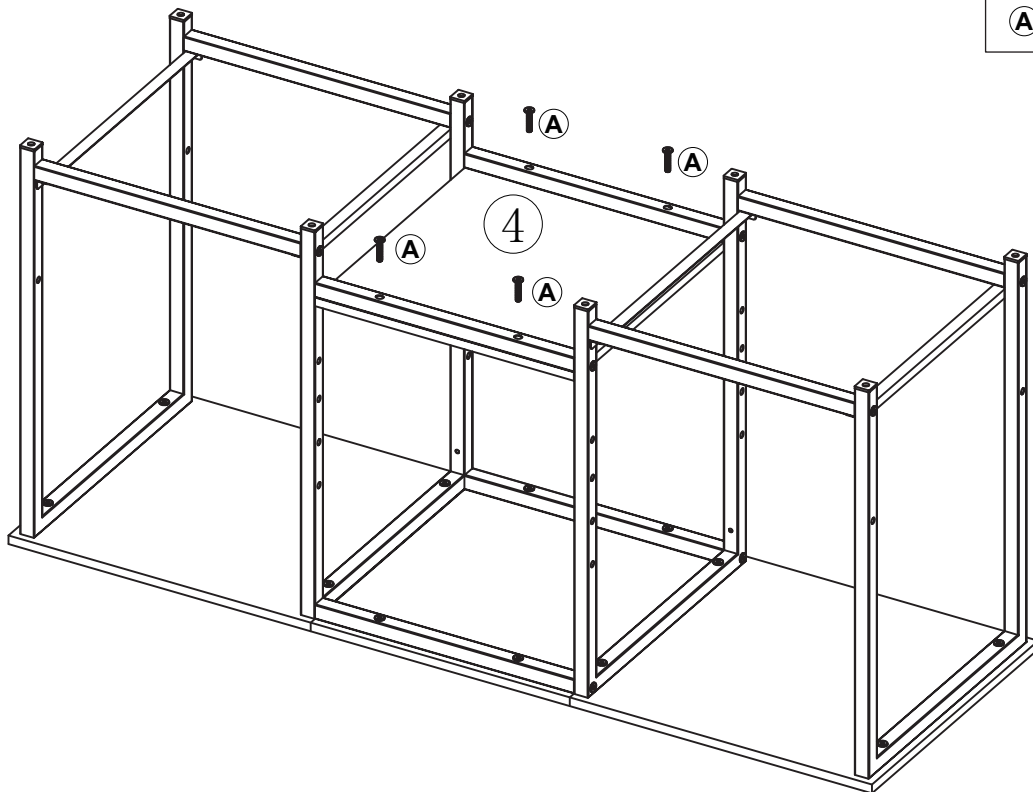
Step 3



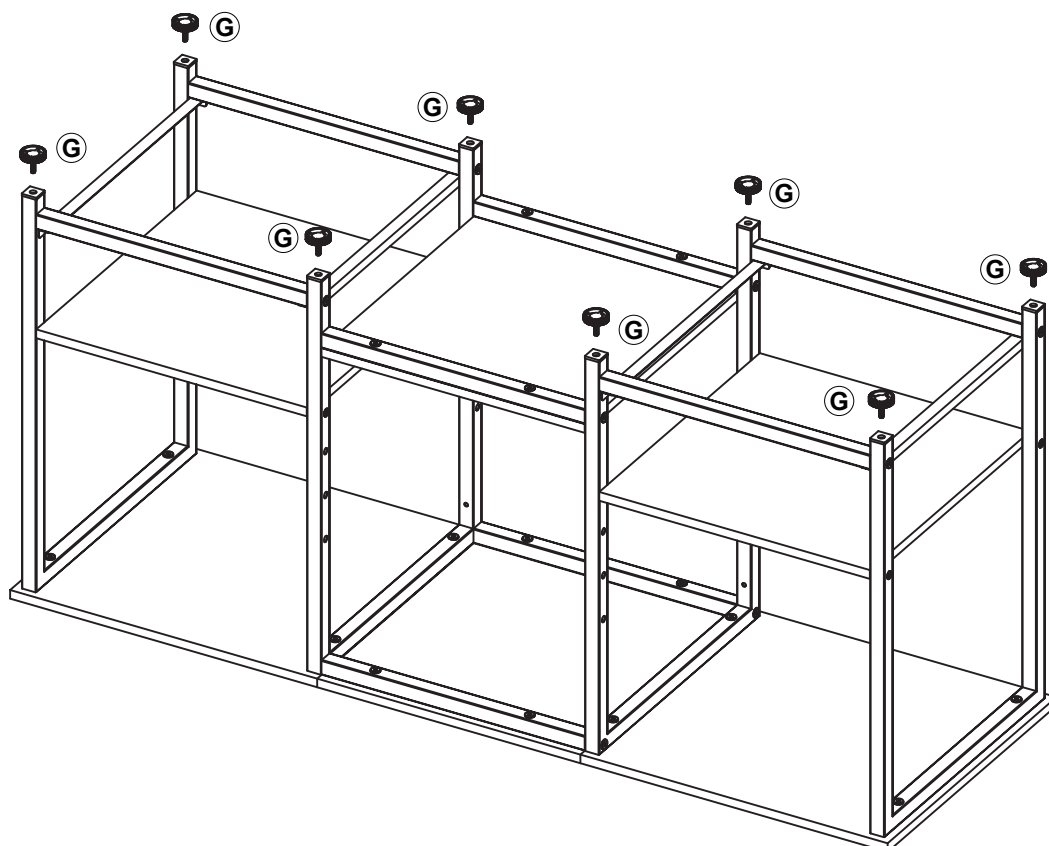
Step 4



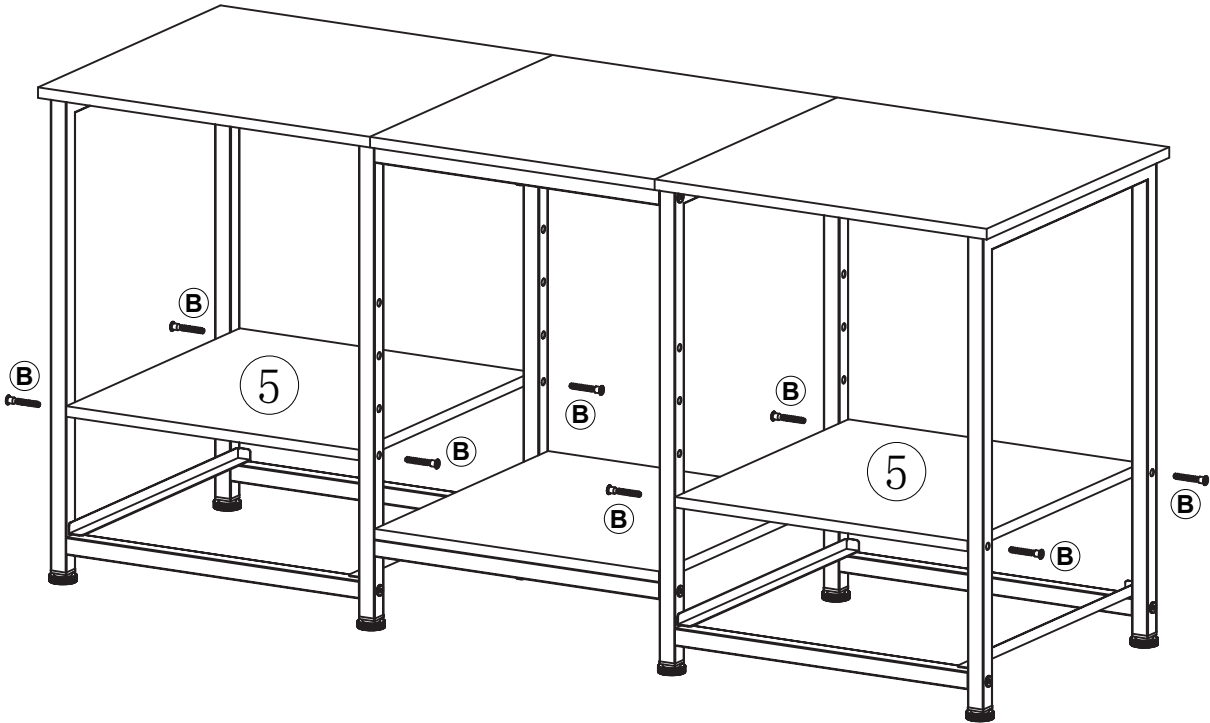
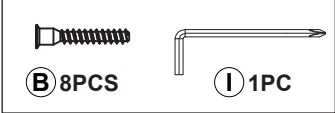
Step 5



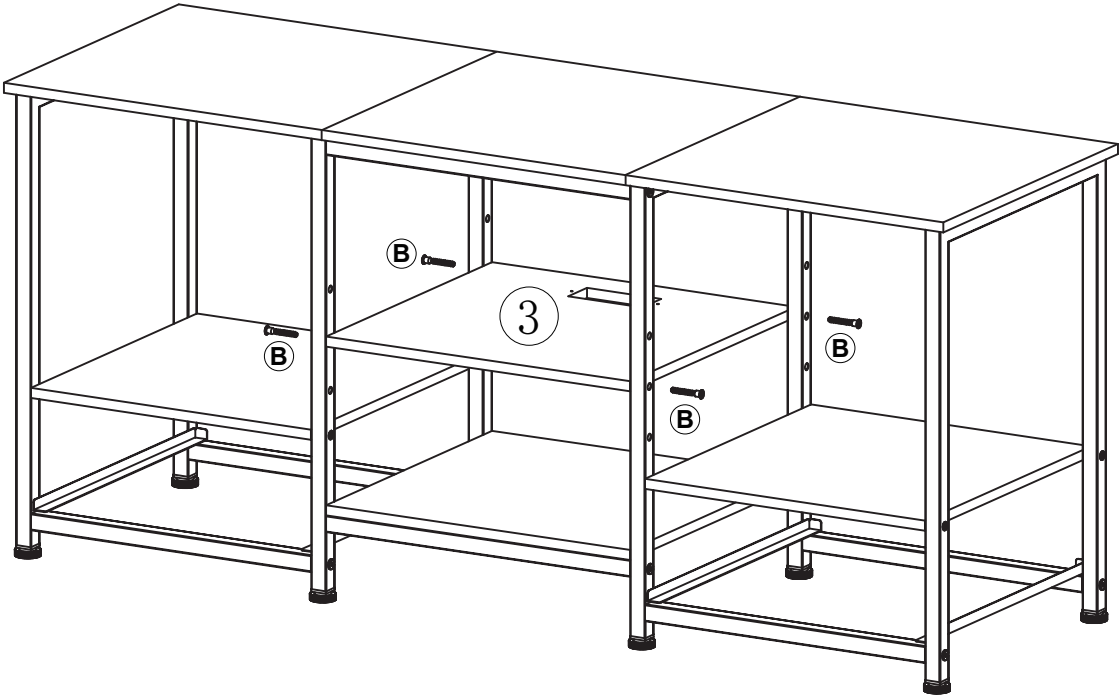
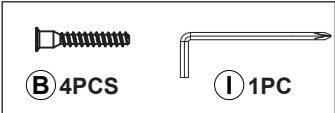
Step 6



Step 7

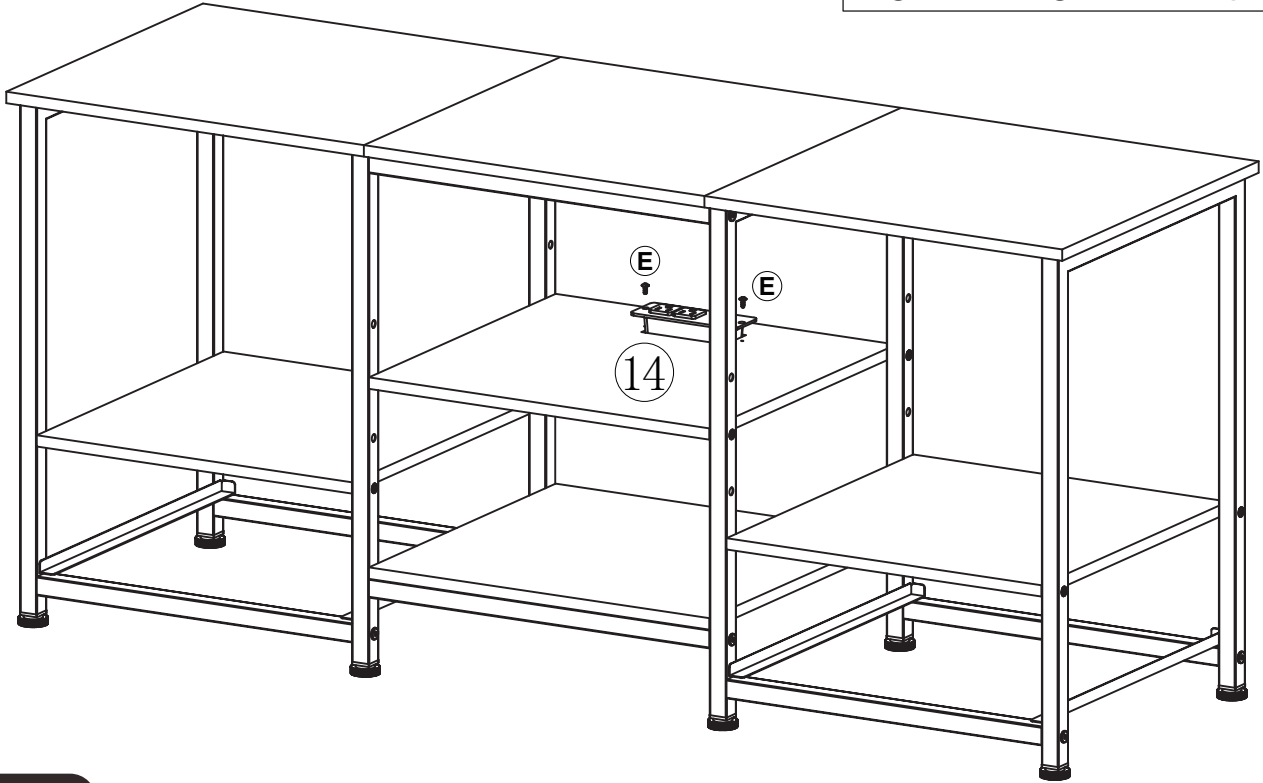


Step 8



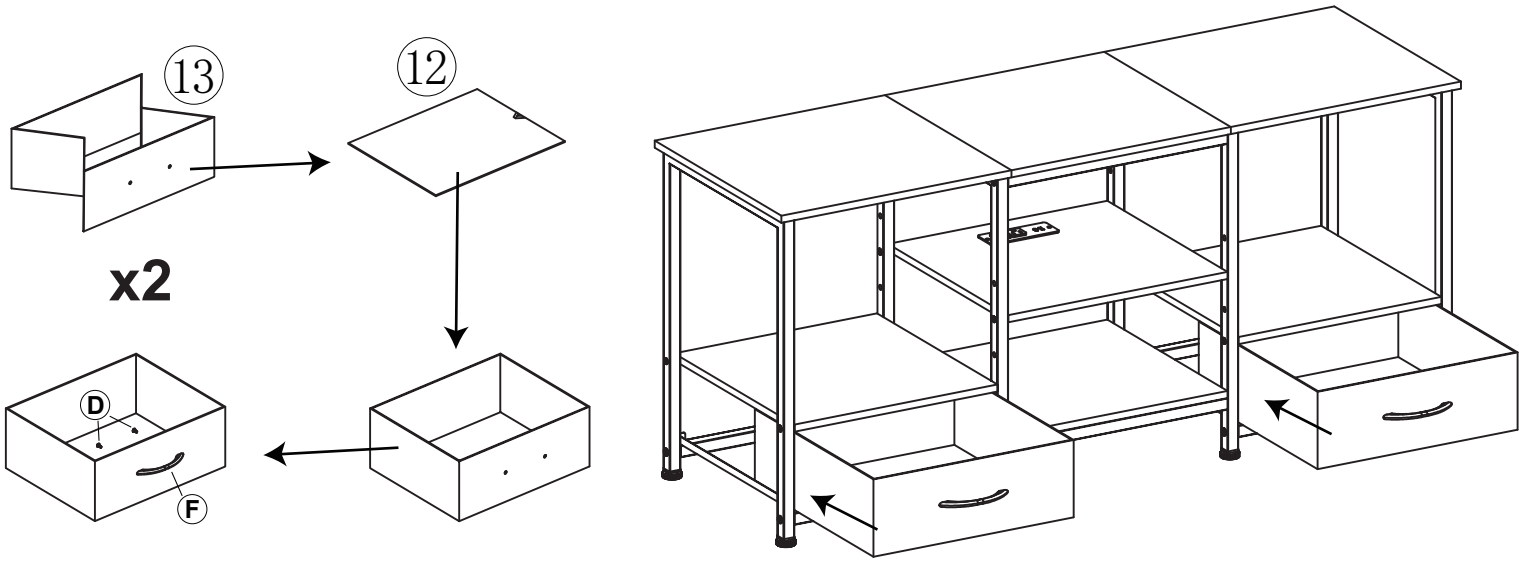
Step 9

⊗ 2PCS ⊗ 14 1PC L 1PC

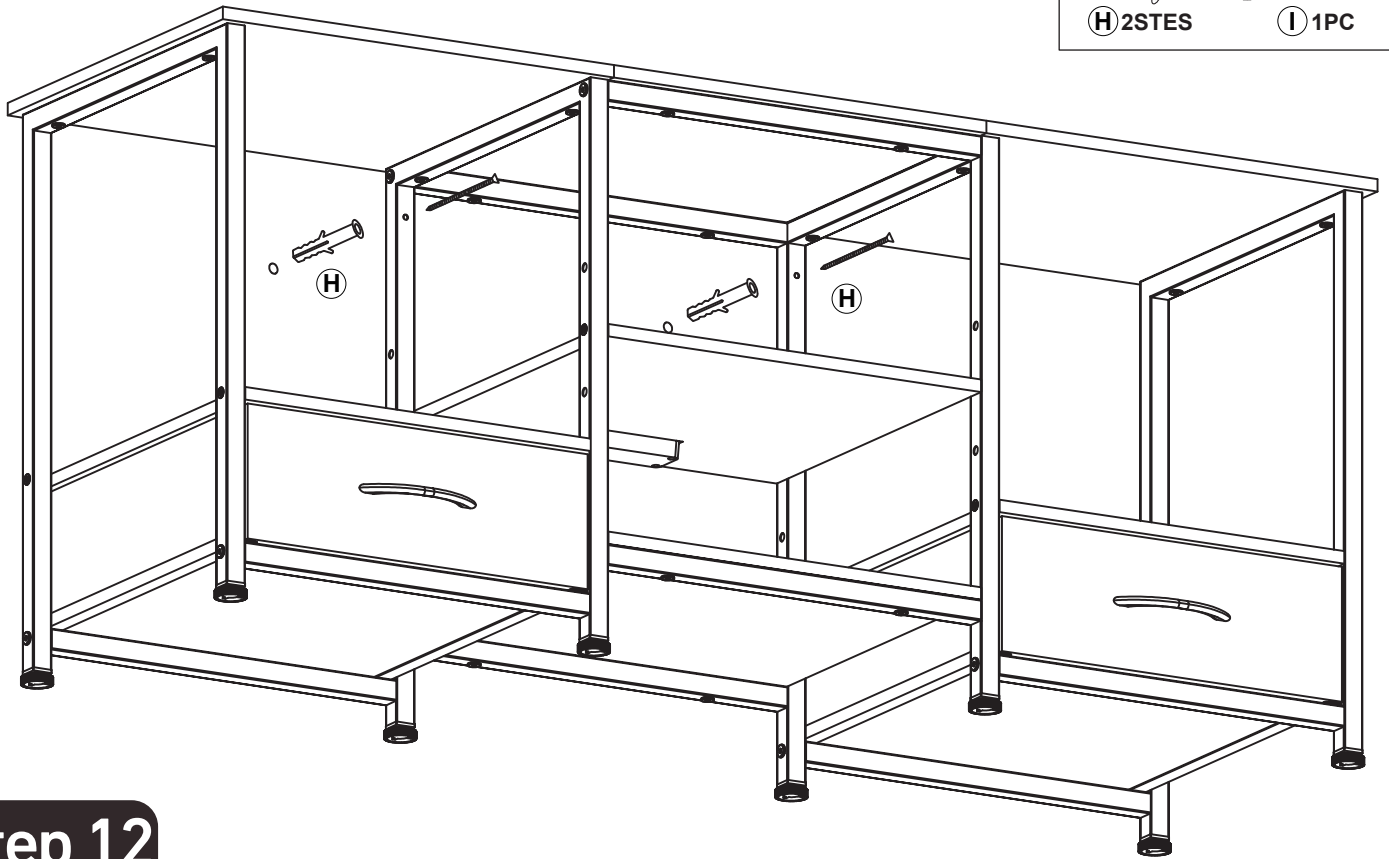


Step 10

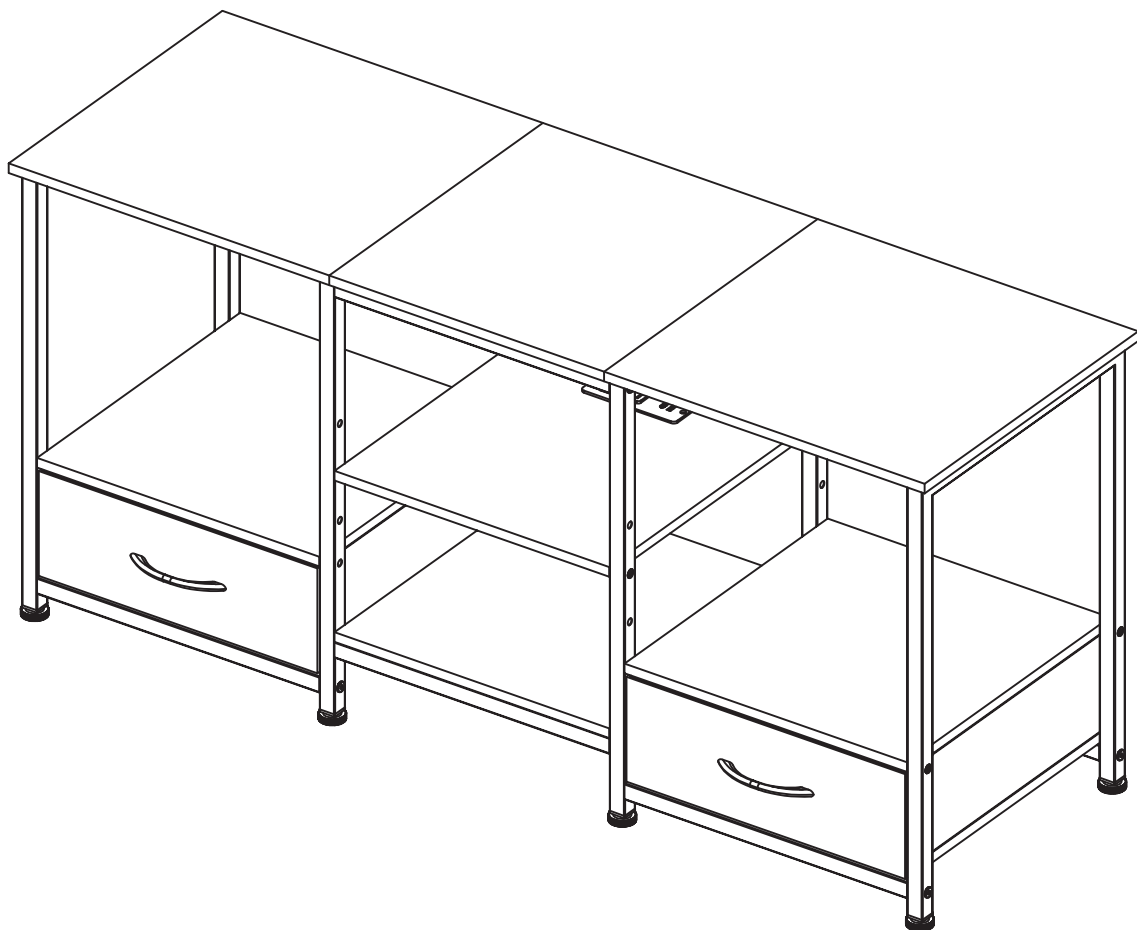
⌒ F 2PCS ⊗ D 4PCS L I 1PC

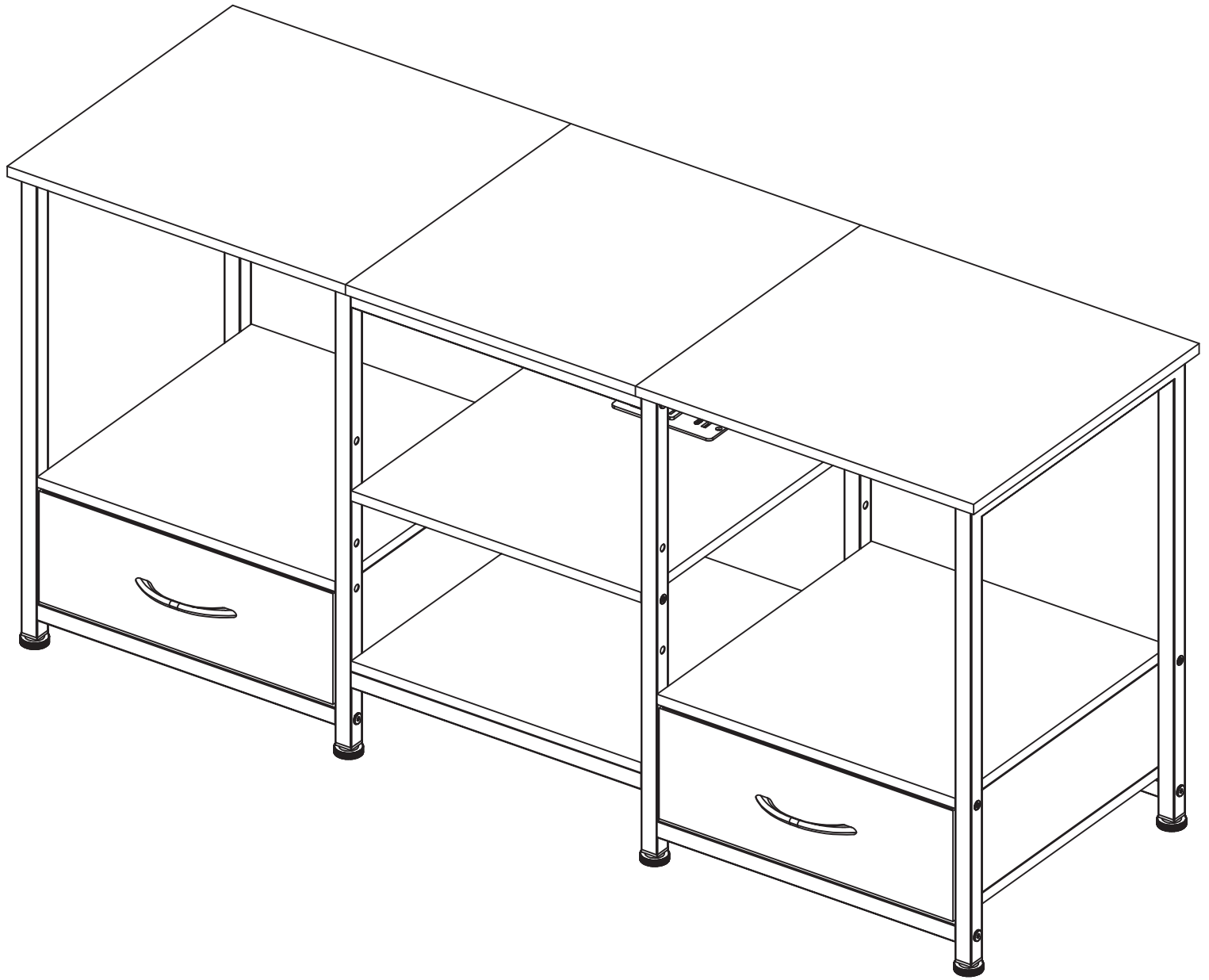


Step 11



Step 12





Technical Support

(909)637-7665 | (909)637-7593

Other Info

HJ-Customer-Service@outlook.com

Thank you for choosing this product. We strive to provide you with the best quality products and service in the industry. Should you have any issues, please don't hesitate to contact us.