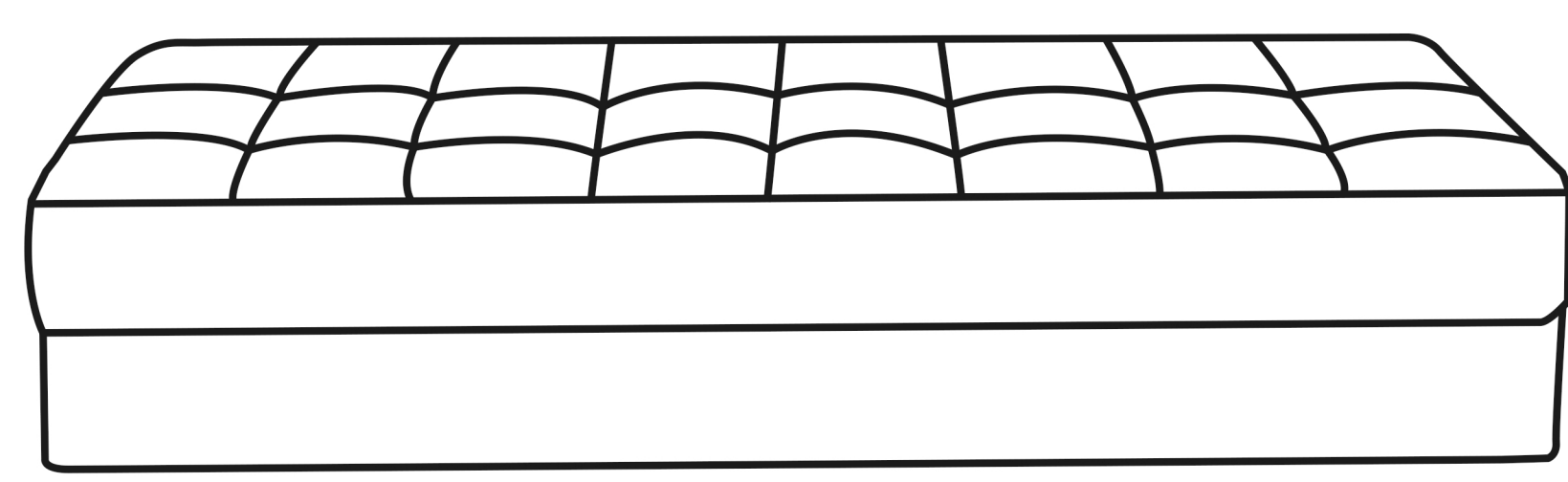
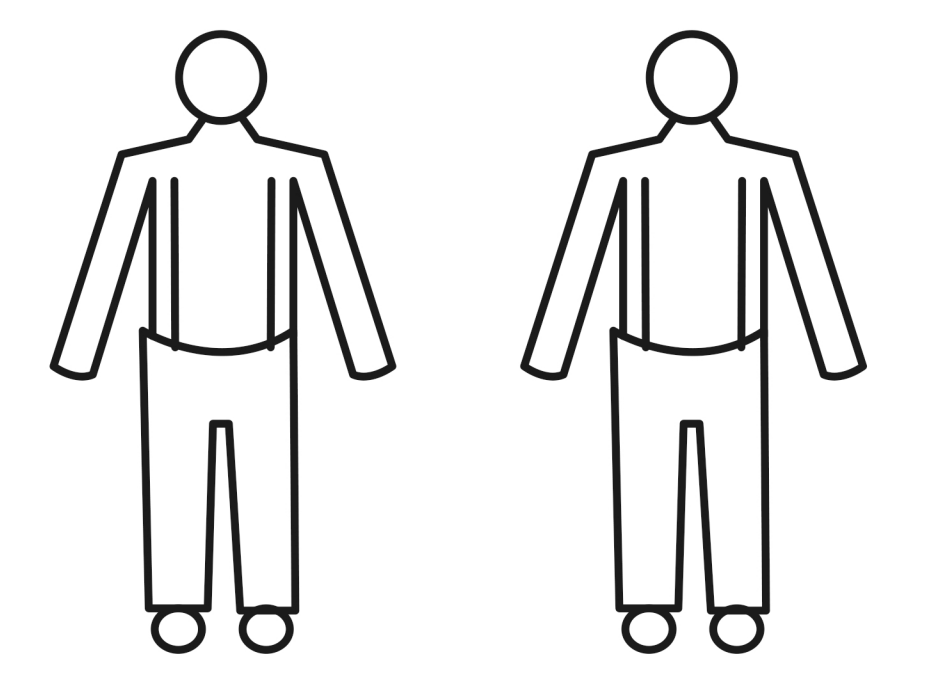
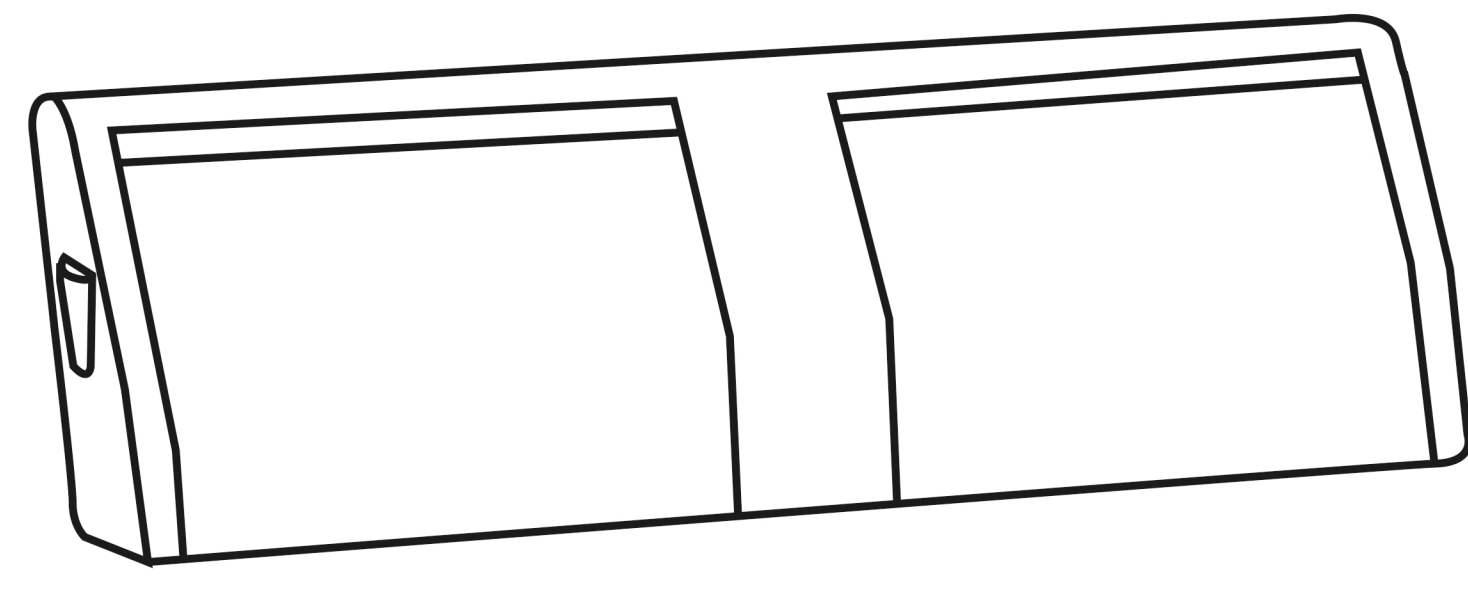


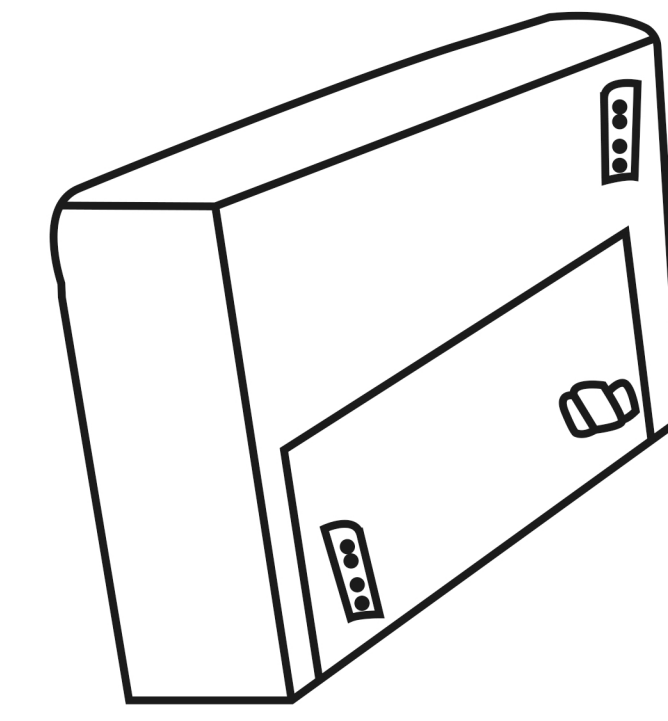
ASSEMBLY INSTRUCTION SF-1835



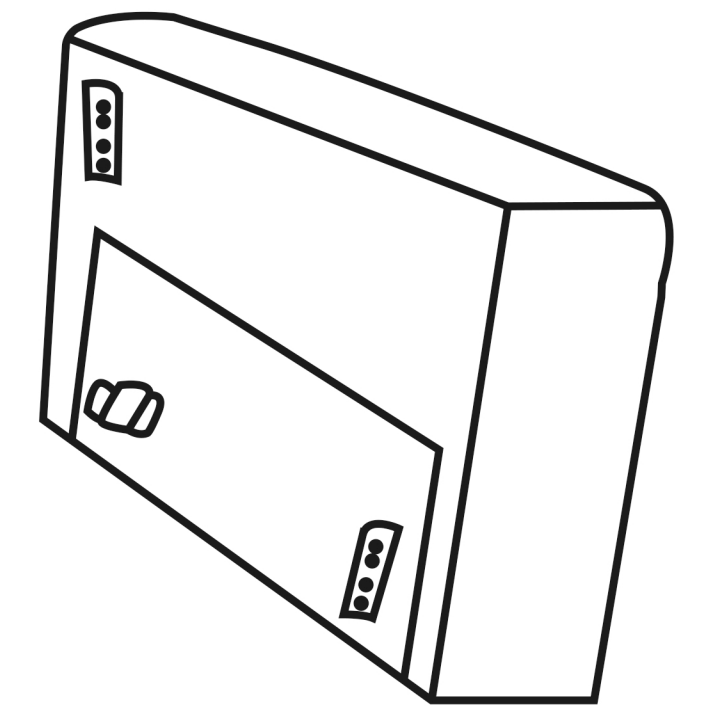
A*1



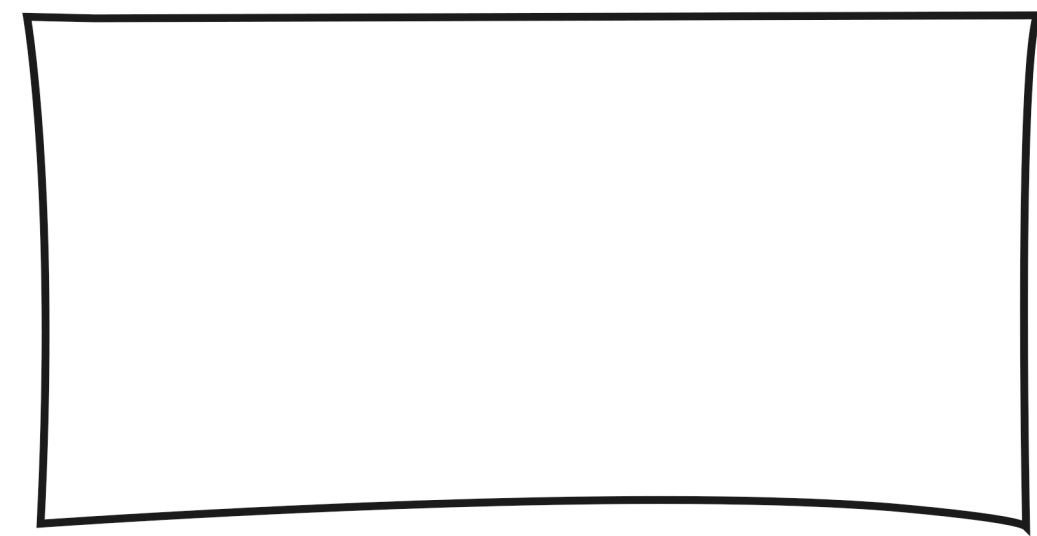
B*1



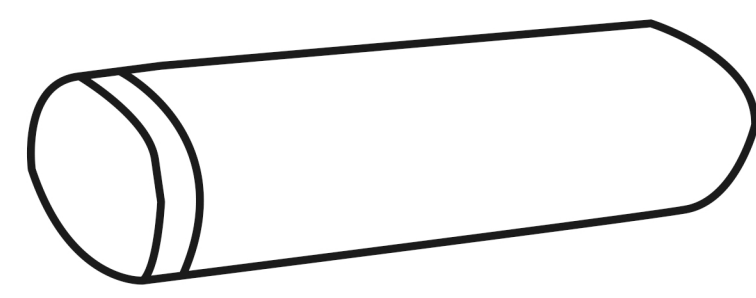
C*1-LEFT



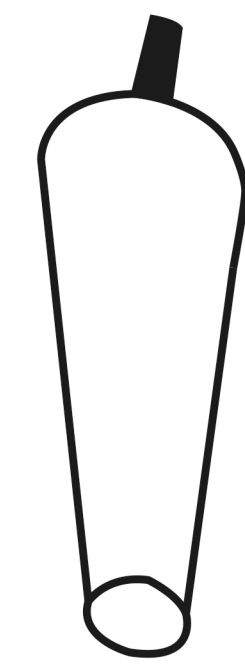
D*1-RIGHT



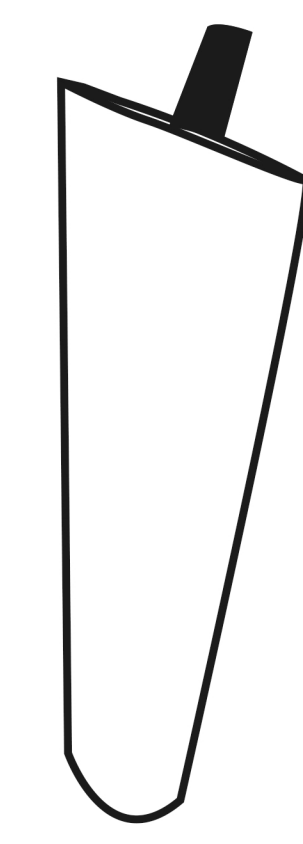
E*2



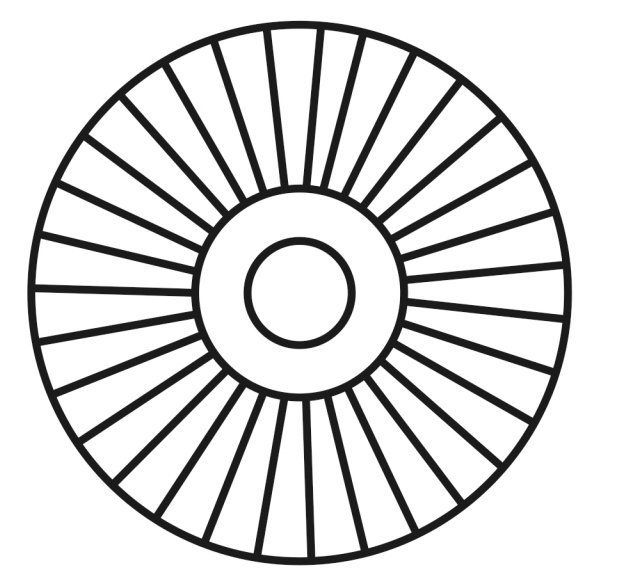
F*2



G*2

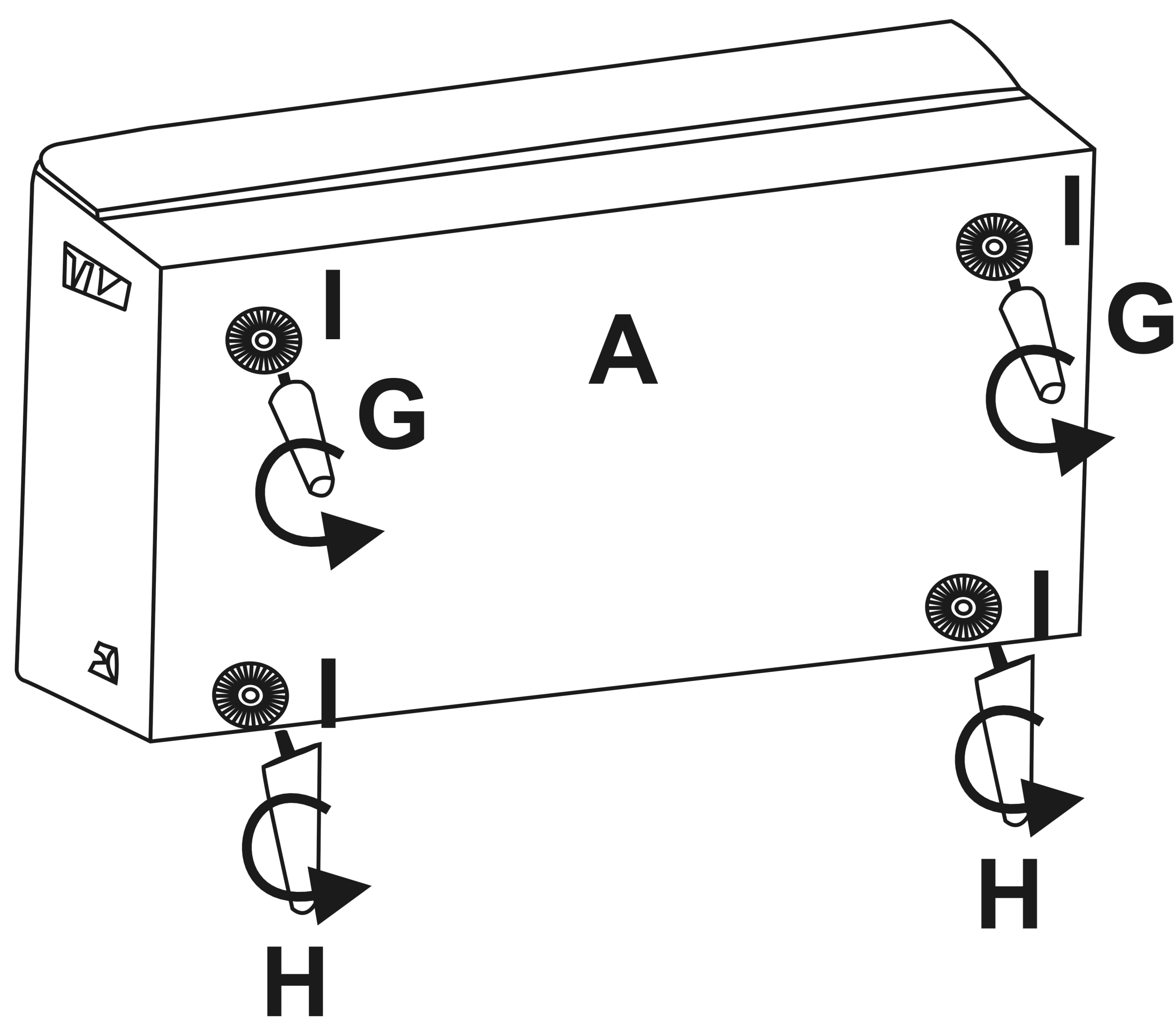


H*2

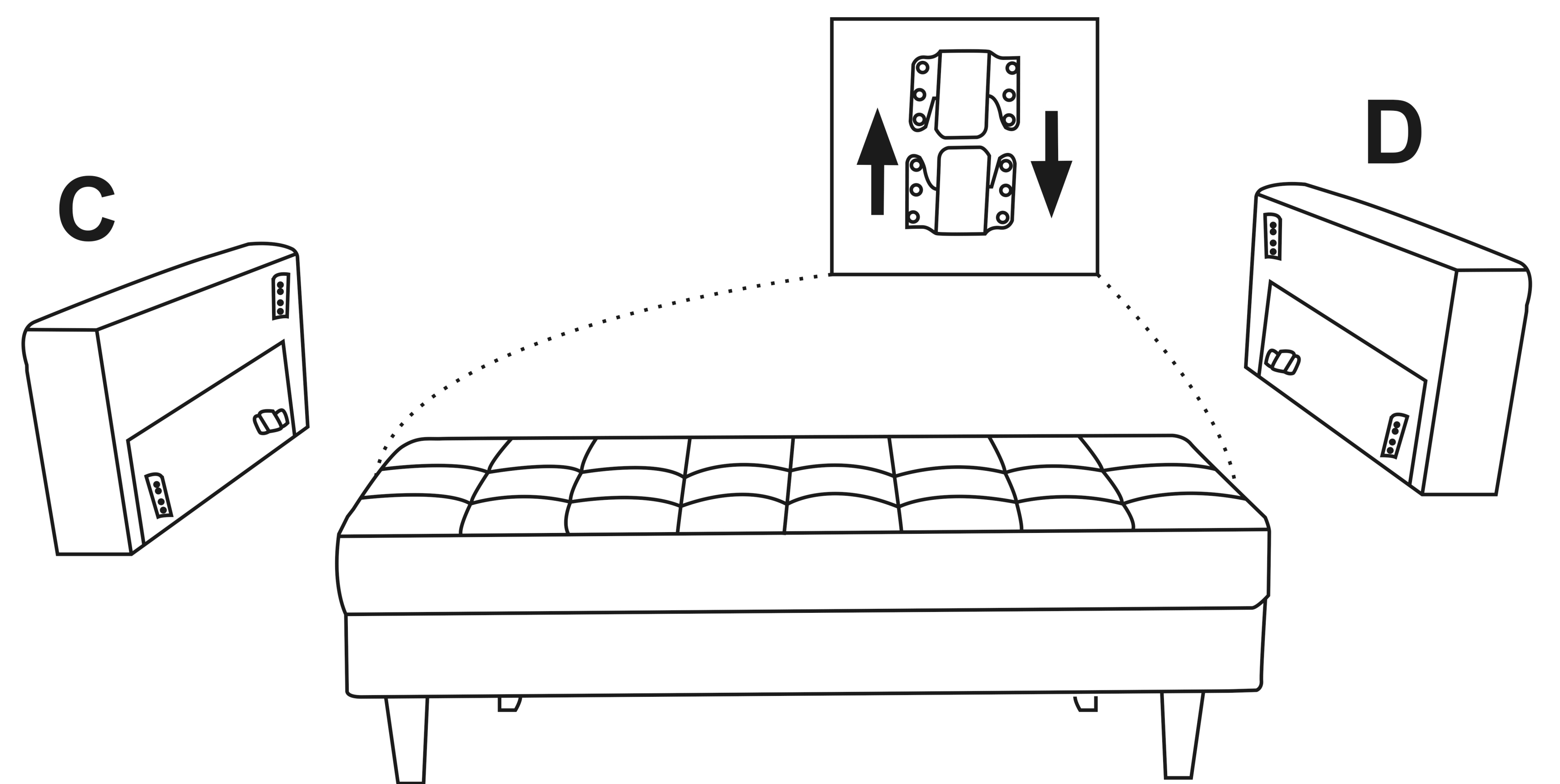


I*4

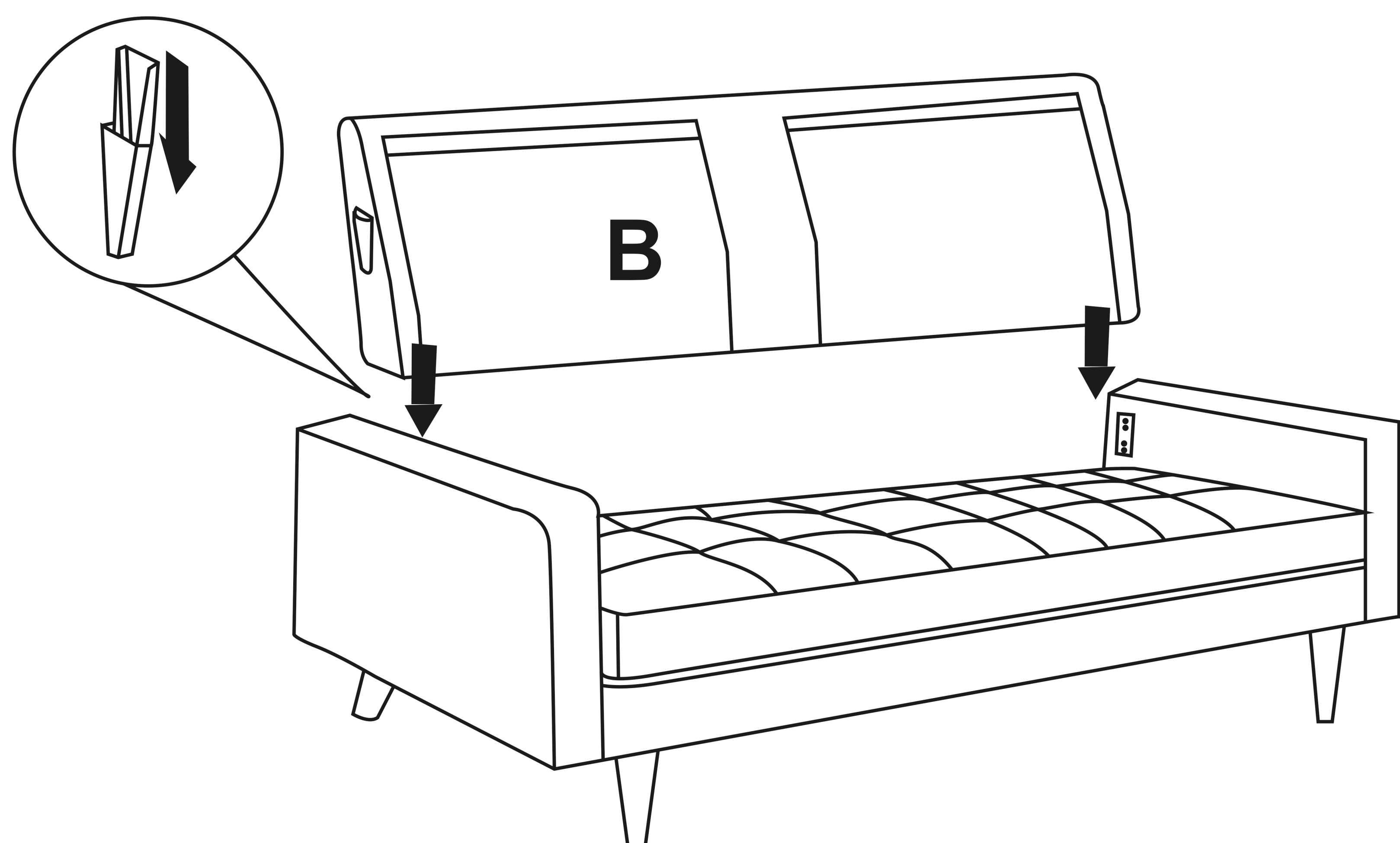
STEP 1



STEP 2



STEP 3



STEP 4

