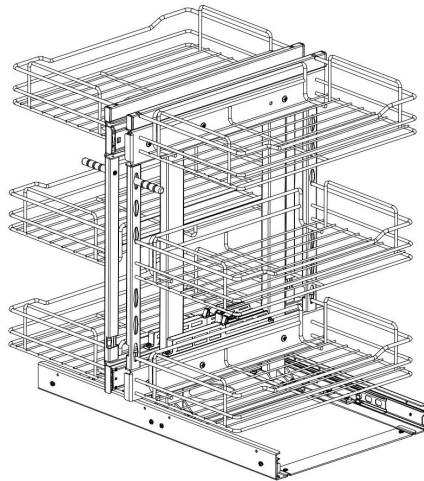


**BLIND CORNER PULL OUT BASKET
ORGANIZER**

Thanks for purchasing one of our products, please read carefully the assembly instructions before the installation.



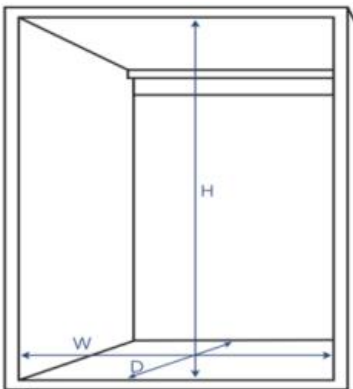
This is the original instruction, please read all manual instructions carefully before operating. reserves a clear interpretation of our user manual. The appearance of the product shall be subject to the product you received. Please forgive us that we won't inform you again if there are any technology or software updates on our product.

PRODUCT PARAMETERS

Model	Product Size	Loading Capacity	Installation size(mm)W*D*H	Number of layers
YG-XGW-4-9-2	23.8"x17.9"x24.8" (605x455x630mm)	132 lbs(Max) (Single basket 22 lbs)	≥(650x510x680)	3

ASSEMBLY PRECAUTIONS

1. Assemble needs to follow these instructions. Incorrect assembly can be a hazard.
2. Wear safety goggles and heavy-duty work gloves during assembly.
3. Do not assemble when tired or when under the influence of alcohol, drugs or medication.
4. Weight capacity and other product capabilities apply to a properly and completely assembled product only.
5. Keep the assembly area clean and well-lit.
6. Keep bystanders out of the area during assembly.
7. **Check the installation size of the corresponding model of the pull basket, and select the cabinet consistent with or close to the installation size for installation.**



USE PRECAUTIONS

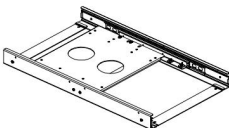
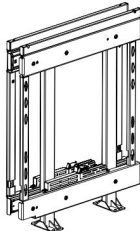
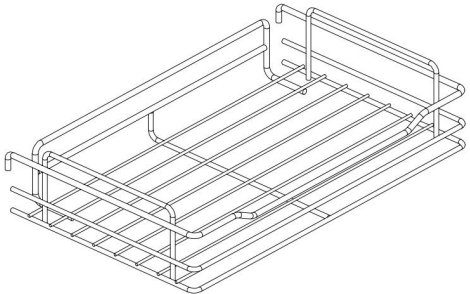






WARNING: TO PREVENT SERIOUS INJURY AND DEATH FROM

TIPPING:

1. This product is not a toy. Do not allow children to play with or approach this item.
2. Use as intended only. Do not sit or stand on the product.
3. Inspect before every use. Do not use it if parts are loose or damaged.
4. Use on Kitchen cabinet only and Do not use it alone on the ground or on the desktop.
5. Do not exceed the listed weight capacity. Tighten all knobs securely before applying load. Be aware of dynamic loading! The sudden load movement may briefly create an excess load, causing product failure.

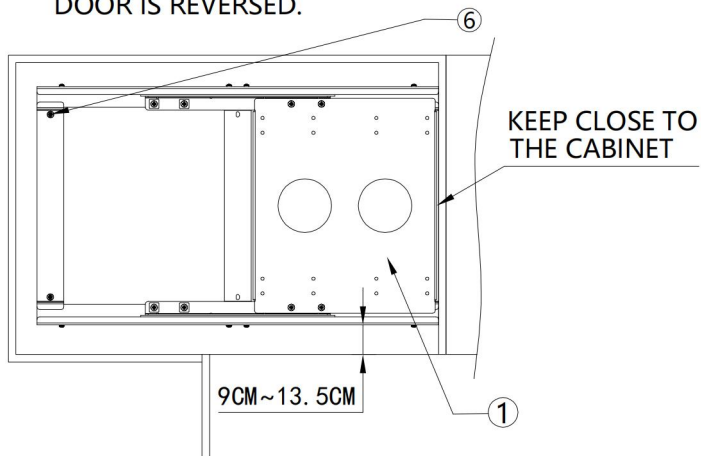
PARTS LIST

① BASE		② FRAME		③ BASKETS	
1pcs		1pcs		6pcs	
					
④ HANDLE	⑤ M5*15	⑥ ST*14	⑦ M6*10		
2pcs	2pcs	6pcs	8pcs		
					

ASSEMBLY STEPS

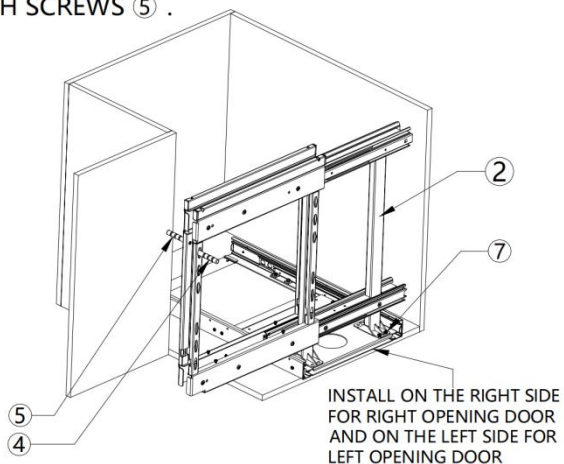
STEP 1:

- 1.PLACE THE BASE ① AND PAPER CARD IN THE CABINET,ALIGN AND FASTEN SCREWS ⑥ .
- 2.WE TAKE THE RIGHT OPENING DOOR AS AN EXAMPLE HERE,WHILE THE LEFT OPENING DOOR IS REVERSED.



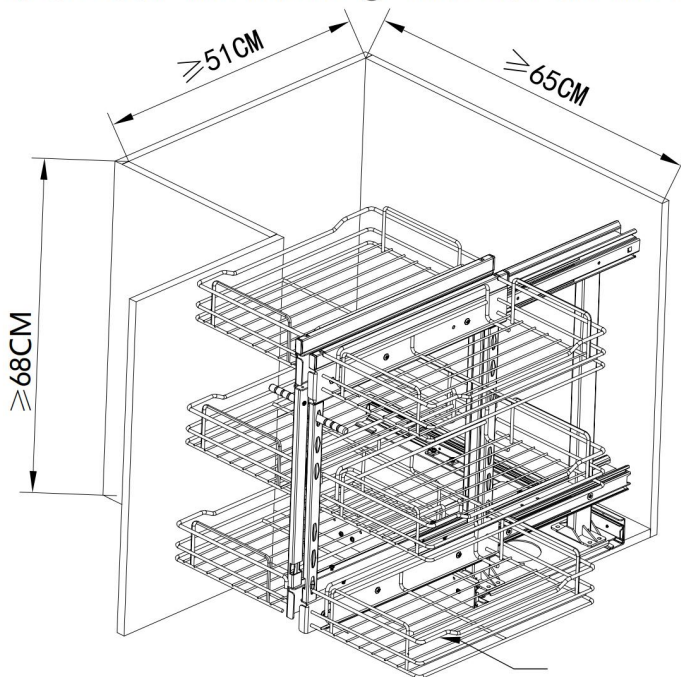
STEP 2:

- 1.ASSEMBLE THE FRAME ② ON THE BASE ① WITH SCREWS ⑦ .
- 2.PULL OUT THE FRAME ② AND FIX THE HANDLE ④ WITH SCREWS ⑤ .



STEP 3:

1. PULL OUT THE FRAME ② AND PUT ON THE BASKETS ③ .



MAX.LOAD OF SINGLE LAYER IS 10KG

Cleaning

-For cleaning, wipe the surface with a damp (not wet) cloth or wipe dry with a clean lint free cotton cloth.

-Window cleaning liquid or a similar cleaning liquid can be used to clean the surface.