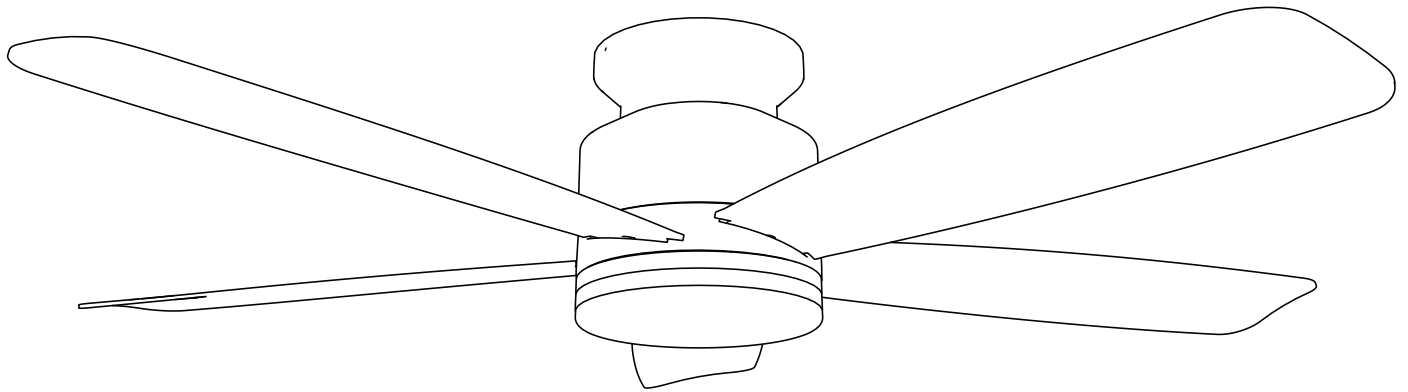


USER MANUAL



Flush Mount Ceiling Fan with Light

User Manual

GET MORE SUPPORT

Should you experience any issues while operating any of our products, you can directly reach out to our Customer Support via Orders Or you can send your inquiry to our Official Customer Support.



PLEASE KEEP CHILDREN AND PETS AWAY.

Contains screws, magnets, please keep away children/pets to avoid accidental ingestion.



WARNING

WARNING: To avoid fire, shock and serious personal injury, please read the following instructions carefully.

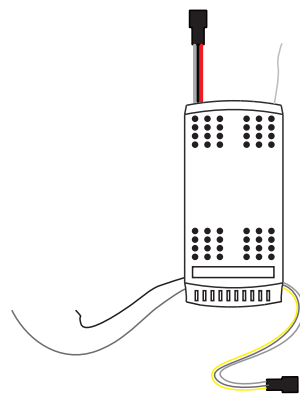
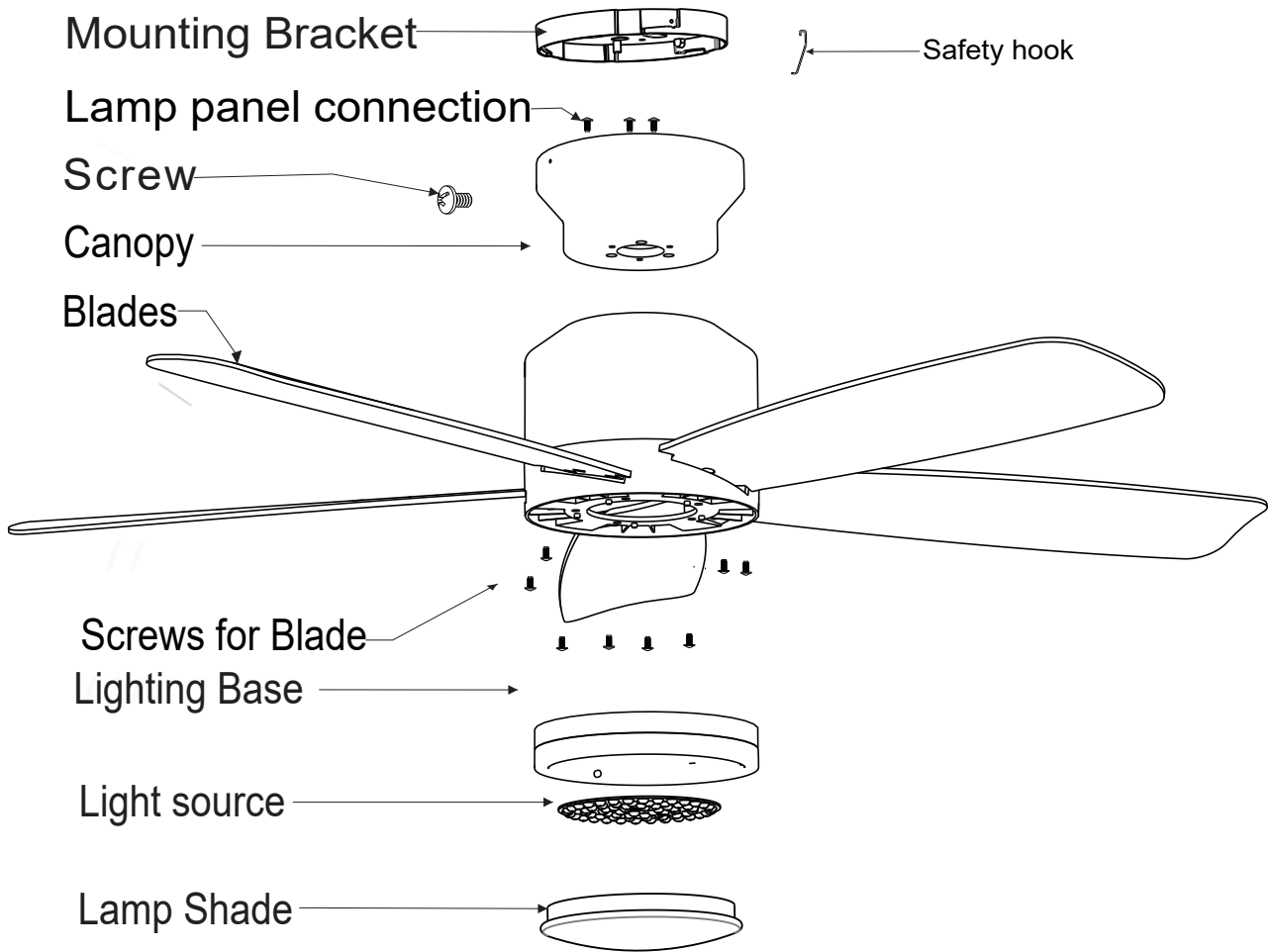
Important Safety Instructions

1. Read all instructions and safety information before installing your new fan. Review the accompanying assembly diagrams.
2. Before installing the fan, disconnect the power by removing fuses or turning off circuit breakers.
3. Make sure all electrical connections comply with local codes, ordinances, or National Electrical Codes. Hire a qualified electrician or consult a do-it-yourself wiring handbook if you are unfamiliar with installing electrical wiring.
4. Make sure the installation site you choose allows the fan blades to rotate without any obstructions. Allow a minimum clearance of 7 feet from the floor to the trailing edge of the blades.
5. If you are mounting the fan on a ceiling outlet box, use a metal outlet box. Secure the box directly to the building structure. The outlet box and its support must be able to support the moving weight of the fan (at least 50 lbs.). Do not use a plastic outlet box. Attach the mounting bracket by using the hardware supplied with the ceiling outlet box.
6. If you are mounting the fan to a joist, make sure it is strong enough to support the moving weight of the fan (at least 50 lbs.)
7. After installing the fan, make sure all the connections are secured. This will prevent the fan from falling.
8. Do not insert anything into the fan blades while the fan is operating.
9. Turn the fan off and wait for it to stop before reversing fan direction.
10. To reduce risk of electrical shock and personal injury, do not install the fan on a sloped ceiling.
11. To reduce the risk of electrical shock and personal injury, do not use this fan with any solid-state.
12. To reduce risk of personal injury, use only the two steel screws and lock washers provided with the fan for mounting the outlet box.

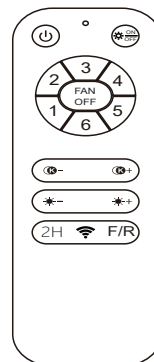
Table of Contents

| | |
|---|------|
| SAFETY PRECAUTIONS..... | 1 |
| ASSEMBLY DRAWING & PARTS LIST-WITH LIGHT..... | 2-3 |
| INSTALL THE CEILING BRACKET..... | 4 |
| INSTALLATION STEPS--LAMP BODY..... | 5-7 |
| MAKE THE ELECTRIC CONNECTIONS..... | 8 |
| REMOTE CONTROL SETTING AND OPERATING..... | 9-10 |
| TROUBLE SHOOTING..... | 11 |

Product Instruction

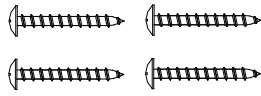
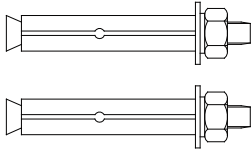
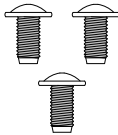



Receiver



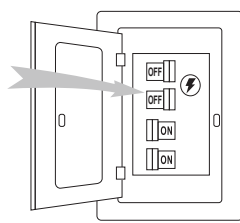
Remote Control

Assembly Drawing & Parts List

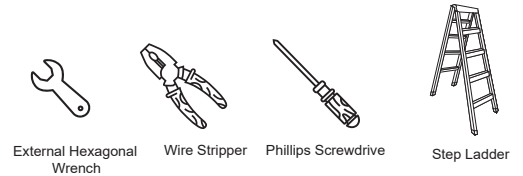
| Item no. | Reference Image | Qty. |
|---|---|--|
| <p style="text-align: center;">1</p> |  <p style="text-align: center;">ST5x35 Setscrew</p> | <p style="text-align: center;">×4</p> |
| <p style="text-align: center;">2</p> |  <p style="text-align: center;">Expansion Screw</p> | <p style="text-align: center;">×4</p> |
| <p style="text-align: center;">3</p> |  <p style="text-align: center;">Screws for Blades</p> | <p style="text-align: center;">×16</p> |
| <p style="text-align: center;">4</p> |  <p style="text-align: center;">Safety hook</p> | <p style="text-align: center;">×1</p> |

BEFORE YOU START

Contact a licensed electrician if you are not good at performing electrical work . It's the licensed electrician who installs the fan . if required by the local code . Do not use the fan with a dimmer switch
Turn off power at breaker

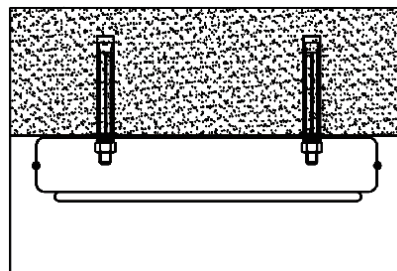


Tools and Materials Required



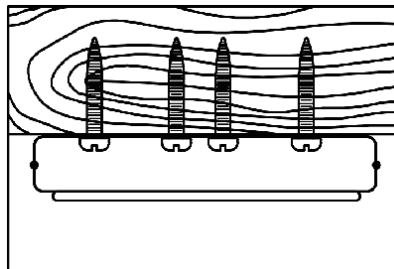
The ceiling fan must be installed in the location where there is 12"(300mm) spacing from the tips of all blades to the nearest objects or walls. **REMEMBER** to turn off the power before hanging the fan. Follow the instruction below to hang your fan properly:

1. For concrete ceiling, drill two holes in the ceiling and secure the mounting bracket to the ceiling with two $\Phi 0.32$ "(8mm) (distance between the two holes should be appropriate) expansion screws, flat washers nuts provided and tighten with a spanner.



Concrete Ceiling

2. For wood ceiling, secure the mounting bracket to the ceiling that is capable of carrying a load of at least 100lbs (45kgs) with two long mounting screws and washers provided. Be sure at least 0.12"(30mm) of the screw is threaded into the support.

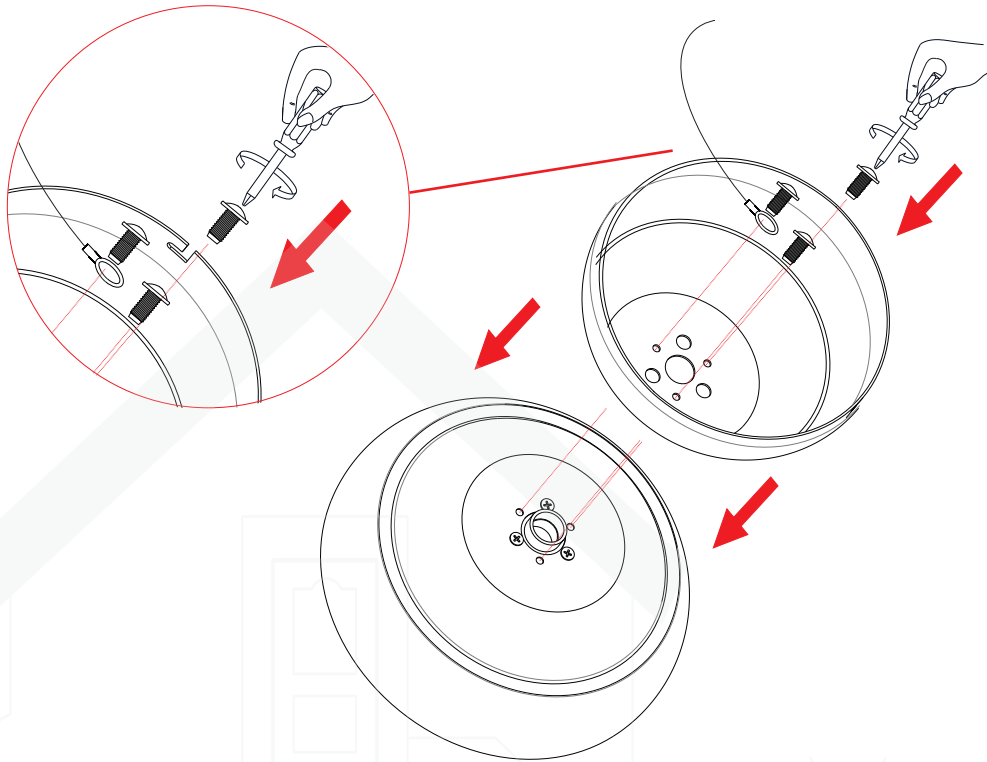


Wooden Ceiling

3. Refer to the Fig. on the right to mount when the ceiling is angled (Max. 15°).

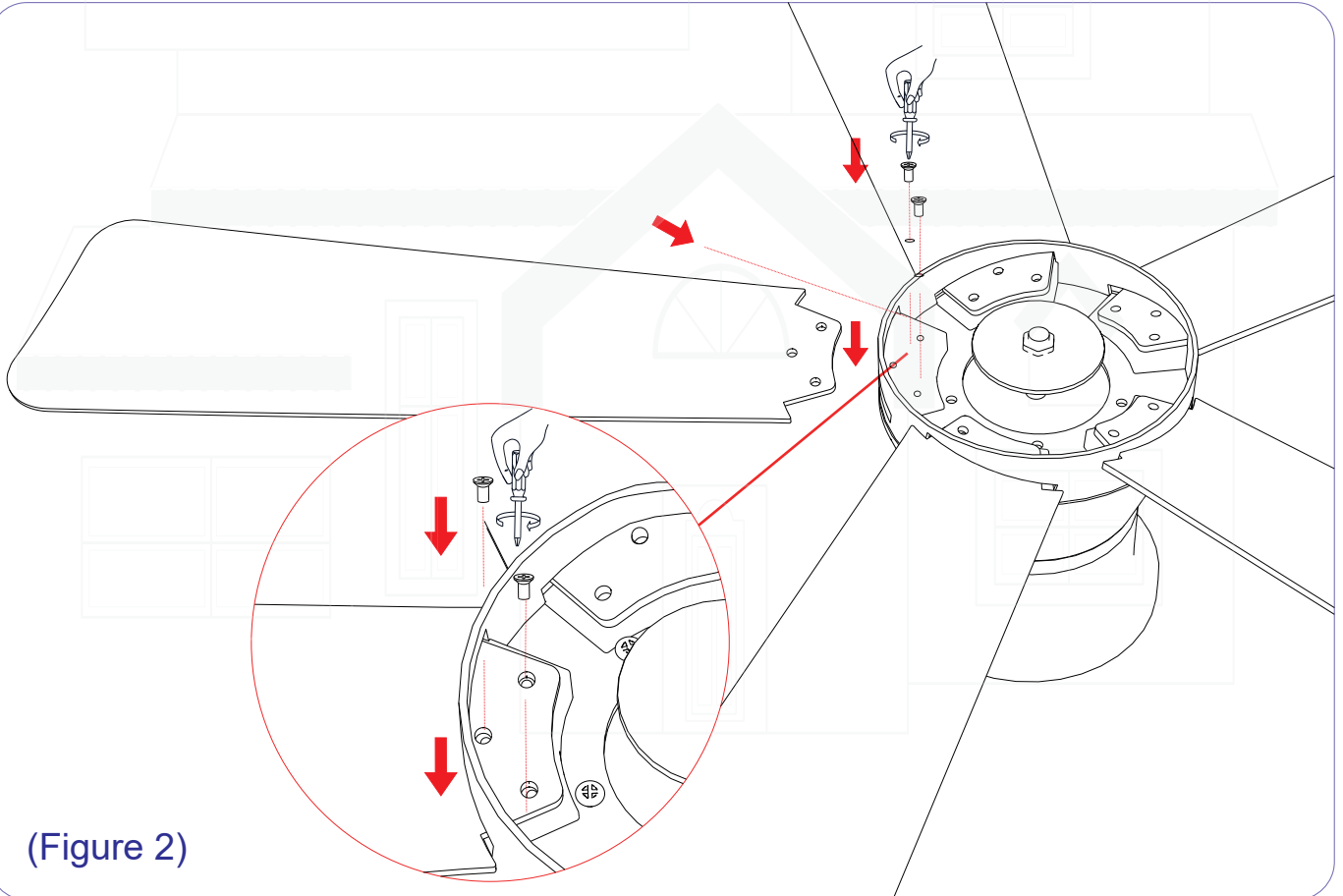
NOTE: The hanger must be able to withstand 100lbs (45kg) or more after the installation.

1. Install canopy onto the motor.



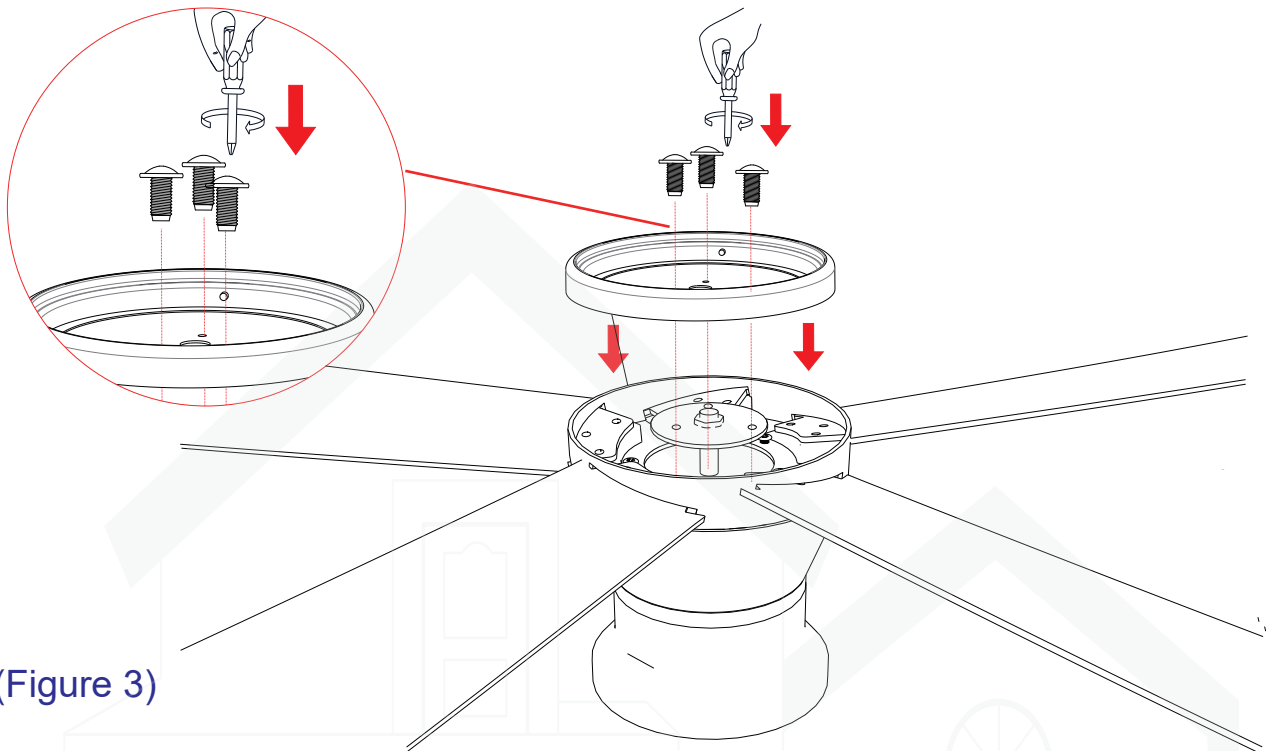
(Figure 1)

2. Remove the screws locked on the side of the motor. And install the fan blades onto the motor with screws.



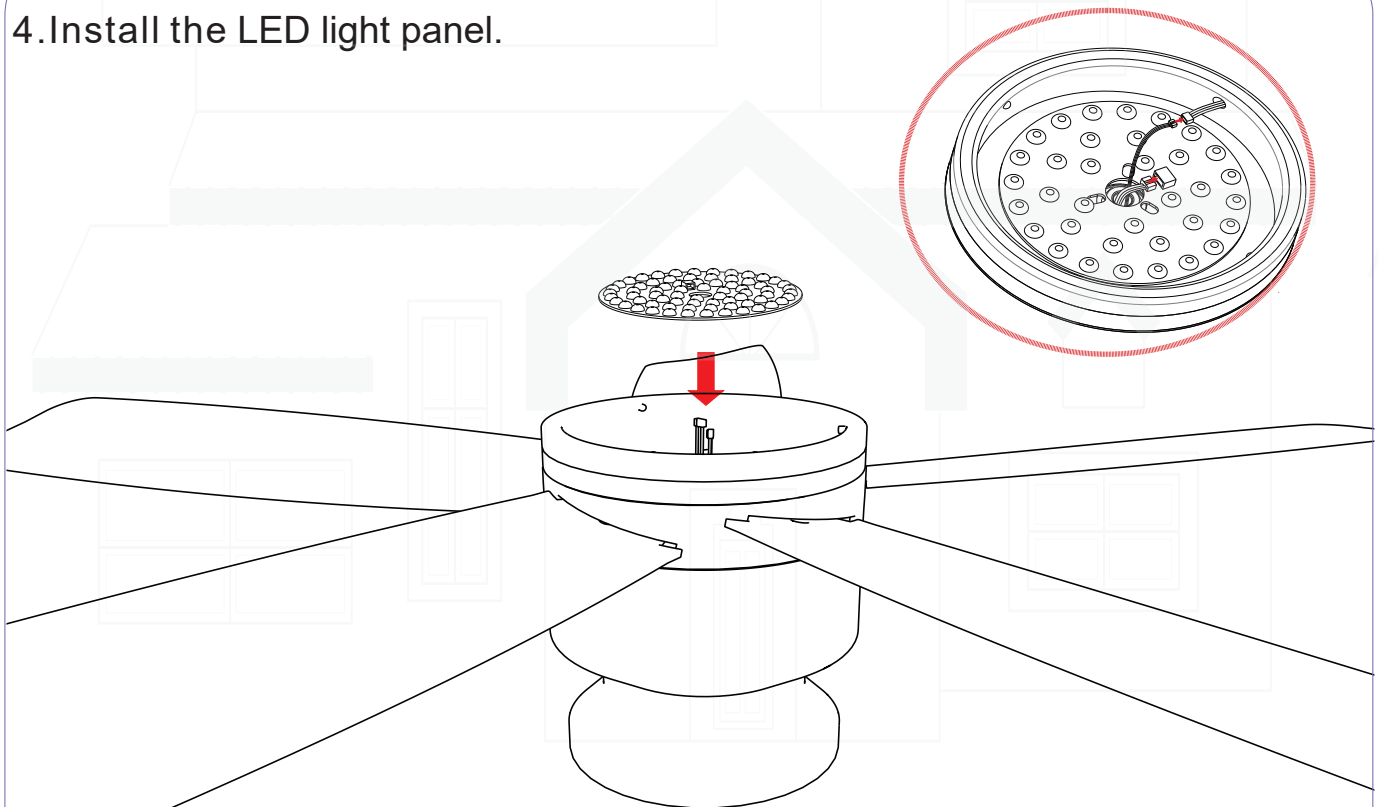
(Figure 2)

3. Fix the lighting base to the motor with 3 screws.



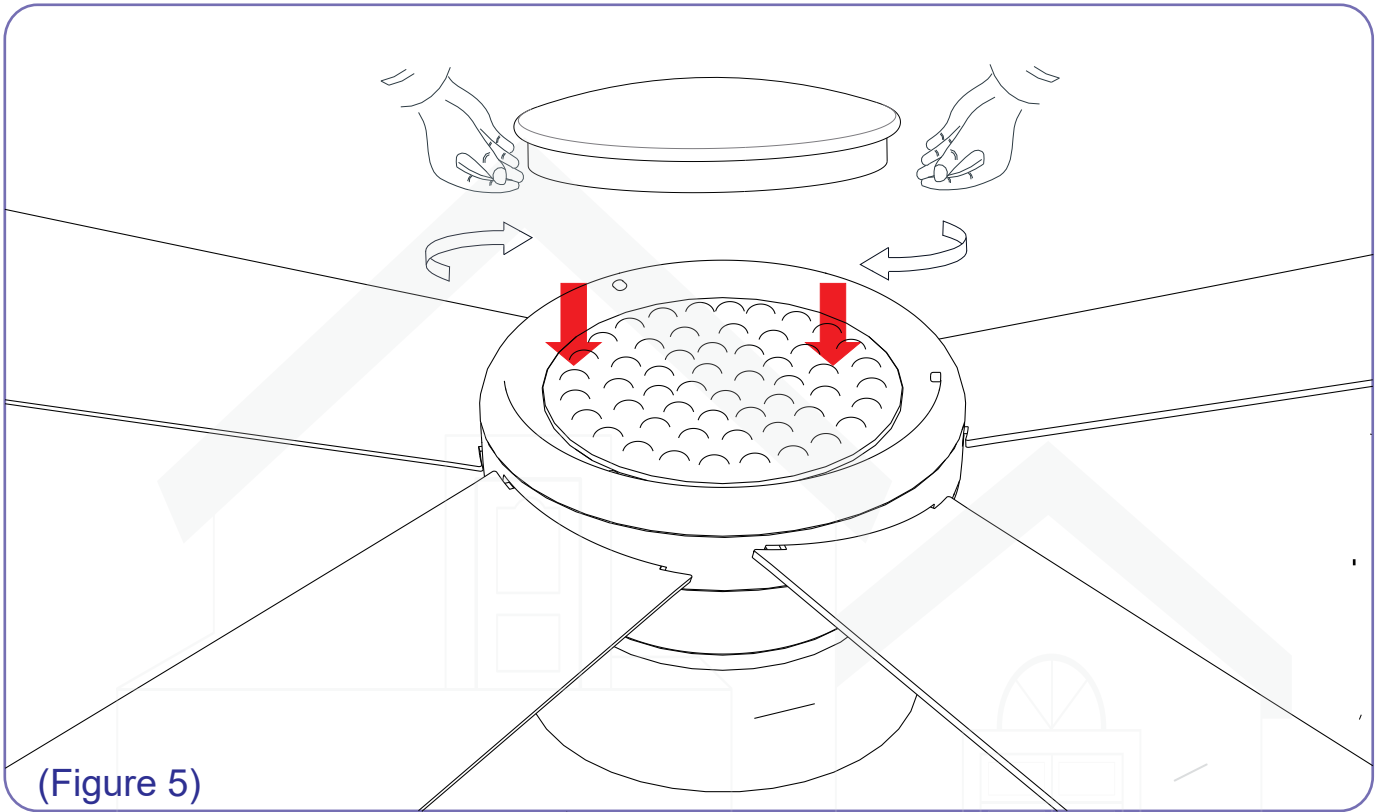
(Figure 3)

4. Install the LED light panel.



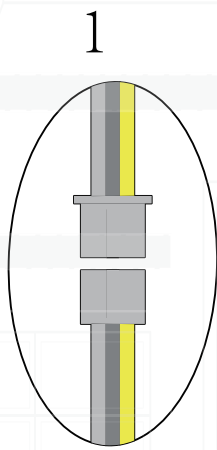
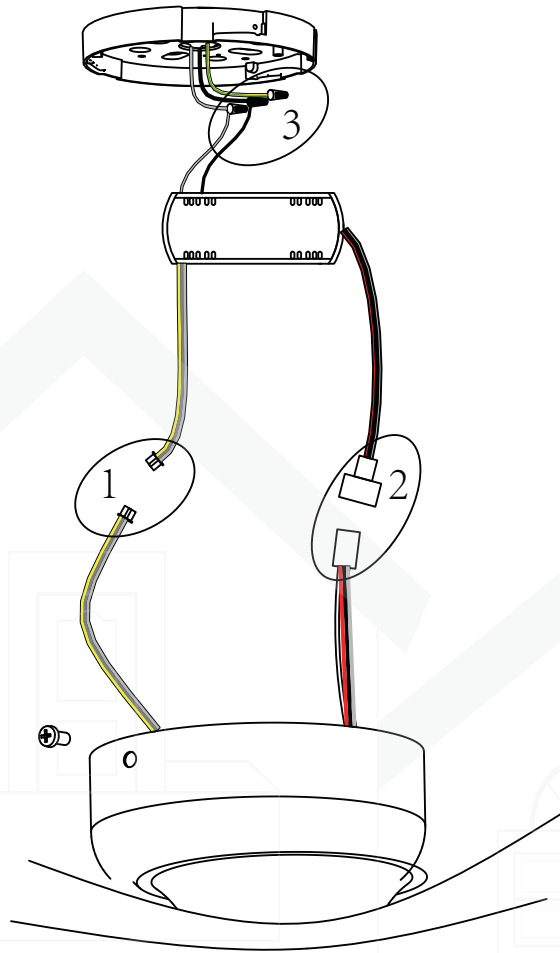
(Figure 4)

5. Install the lampshade.

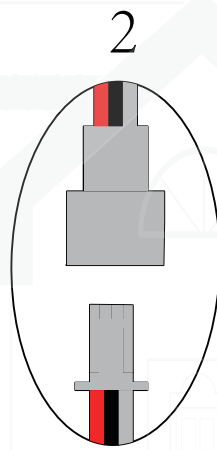


(Figure 5)

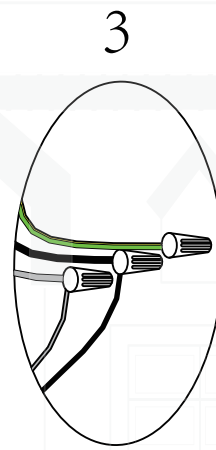
Make the Electric Connections



white yellow
grey wire
--
light source
plug



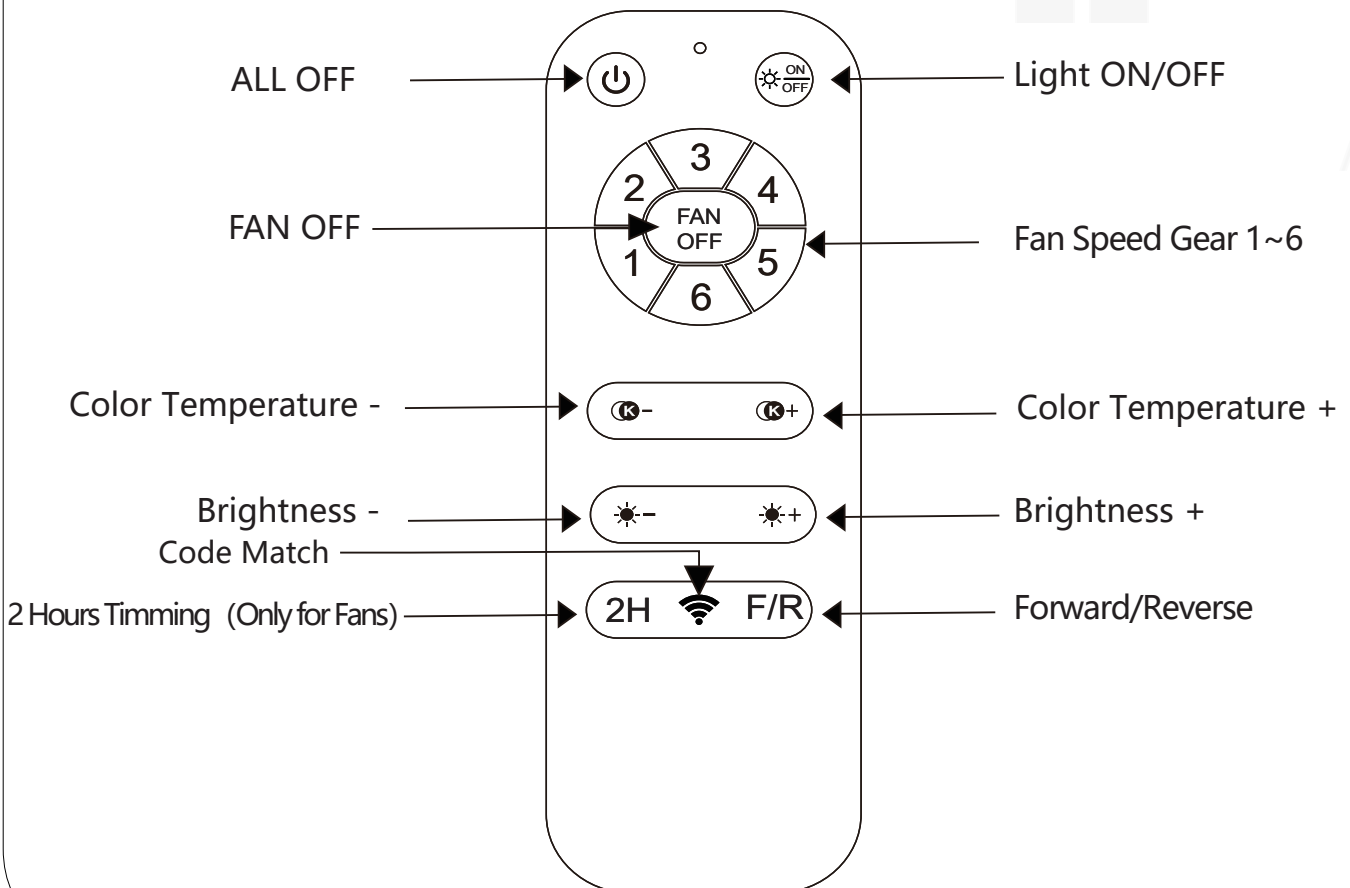
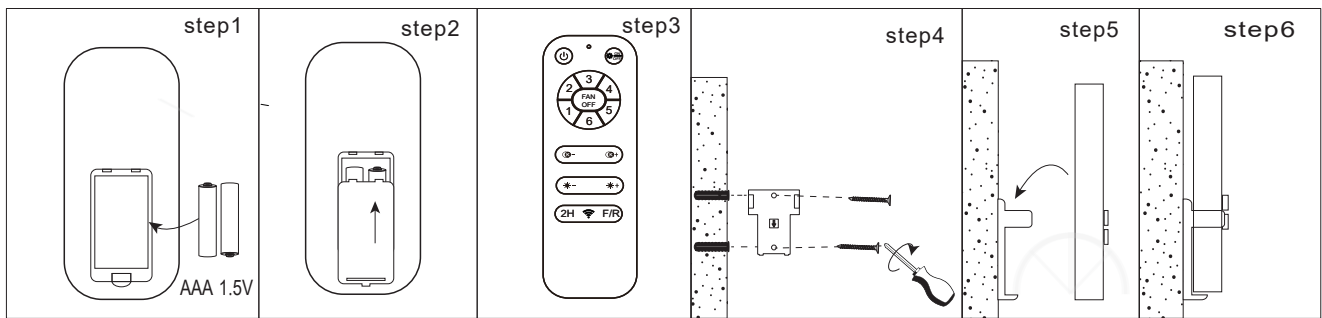
red black
white wire
--
motor plug



black--Live wire
white--Neutral wire
yellow green--Earth wire

Remote Control Seeting and Operation

1. Restore electrical to the outlet box by turning the electricity on at the main fuse box.
2. Remove the battery cover from the remote control transmitter, install the battery, and replace the cover.
Note:
 - 1). Use AAA 2 1.5V battery to replace battery.
 - 2). If not using for long periods of time, remove the battery to prevent damage to the remote transmitter, and store the remote transmitter away from excess heat or humidity.
3. The buttons on the remote control transmitter control the fan speed and light as follows.



IMPORTANT REMINDERS

1. Please note: Receiver must be correctly installed in the mounting bracket on fan
2. When the transmitter cannot control the receiver, please check the battery has sufficient charge in the transmitter.
3. When the transmitter cannot control the receiver, please check if there is any existence of similar remote controlled products nearby, causing interference with each other.
4. Low power of battery will affect the sensitivity of the transmitter and the signal reception accordingly, must replace if the battery is getting low power.
5. Please take the battery out from the transmitter when leaving unused for a long time, to avoid battery leaks.
6. Isolation Switch “Must be connected in the line.”
7. When power is cut to the unit (via a blackout or otherwise) when power is restored the light will come on.

ore carrying out any cleaning or maintenance work, always make sure that the appliance is disconnected.
LED lights are not removable. LED lights can only be used within the product delivery, they can not be replaced.

Wall Switch

In order to ensure the normal work of LED LIGHT.recommend to use ordinary wall switch.



NOTE: POWER OFF from wall switch Defaultmemory function cleared)

Your fan may occasionally jerk forward or backward upon starting up.

This is normal and does not affect the fan operation.

Try these troubleshooting steps before contacting customer service.

| SYMPTOM | POSSIBLE SOLUTIONS |
|--|--|
| <p>The fan doesn't spin</p> | <ol style="list-style-type: none"> 1. Make sure the fan is getting power. 2. Check the functionality of circuit breaker or fuse panel and wall switch. 3. Confirm fan wires are correctly connected to the house wires. 4. Make sure the blocker of the fan motor is removed. 5. Use your remote to check the power to the breaker and try to work your ceiling fan manually from afar (Normal switch only for the fan power on/off) |
| <p>The fan's light does not work</p> | <p>Make sure the LED light kit and light bulb are connected well.</p> |
| <p>The fan is noisy and wobbling</p> | <ol style="list-style-type: none"> 1. Confirm the blade screws are NOT rubbing against the the motor's round plastic part. 2. Confirm the pin wire are NOT connected against the moving part. 3. Confirm the coupling cover is NOT hitting the motor 4. Confirm the down rod is NOT slanted 5. Tighten any loose screws on the light kit, fan blades, motor coupling, down rod, brackets and mounting hardware. 6. Confirm the hanger ball is firmly seated in the mounting bracket. 7. The ceiling beam must meet the minimum tensile test strength of 30KG for installation. 8. Make sure the airfoils and brackets are NOT bent or deformed. 9. Confirm the wire connections are not rattling against each other. 10. Confirm the fan blades are not cracked. If the fan blades are cracked, replace the damaged blades with the set of new blades of same brand as your ceiling fan ensures the compatibility. 11. Change fan blades' positions. 12. Confirm the light kit is NOT slanting and hitting the motor. 13. Confirm all the blades are screwed firmly into blade holders. |
| <p>The fan or light automatically turns on/off</p> | <ol style="list-style-type: none"> 1. Confirm the circuit breaker is not malfunctioning. 2. Confirm the wire connections are not frayed. 3. Confirm the app does not set the timer or schedule 4. Power off the fan for 10 minutes, then power on again. |