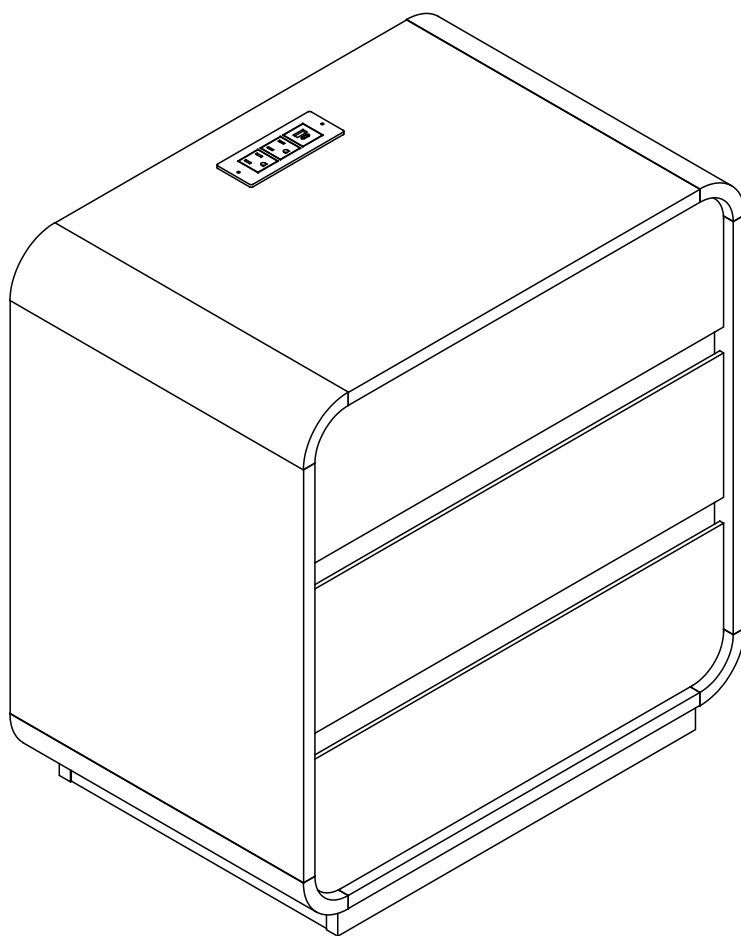
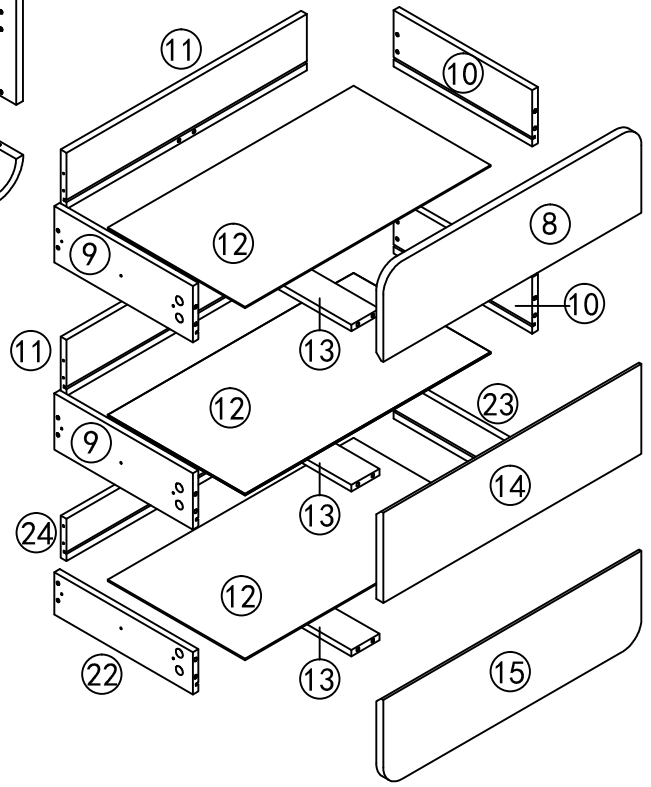
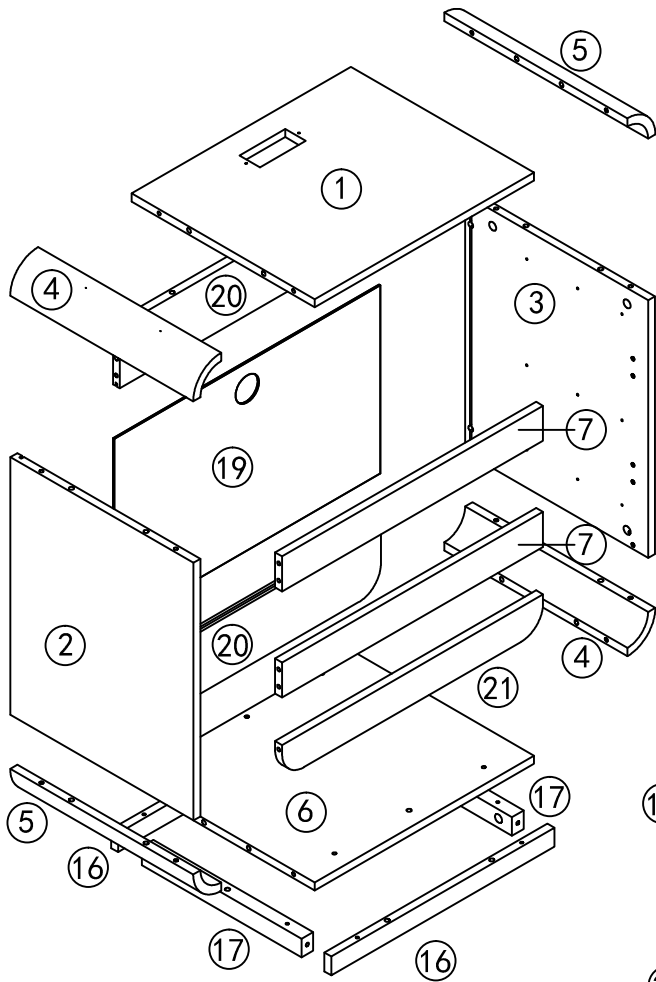
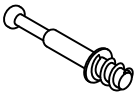

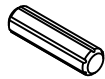
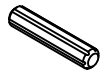
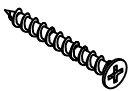

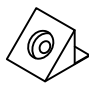


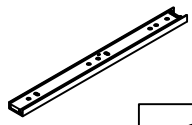



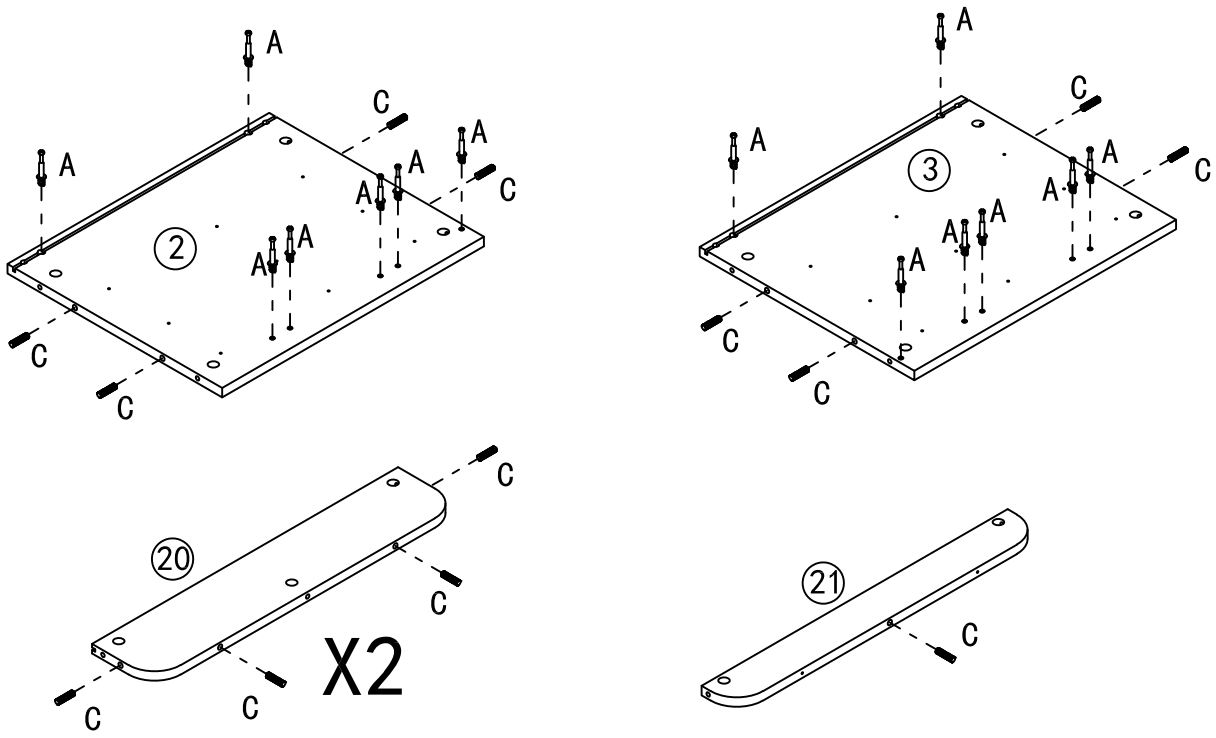
Installation & Assembly

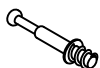
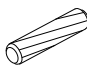




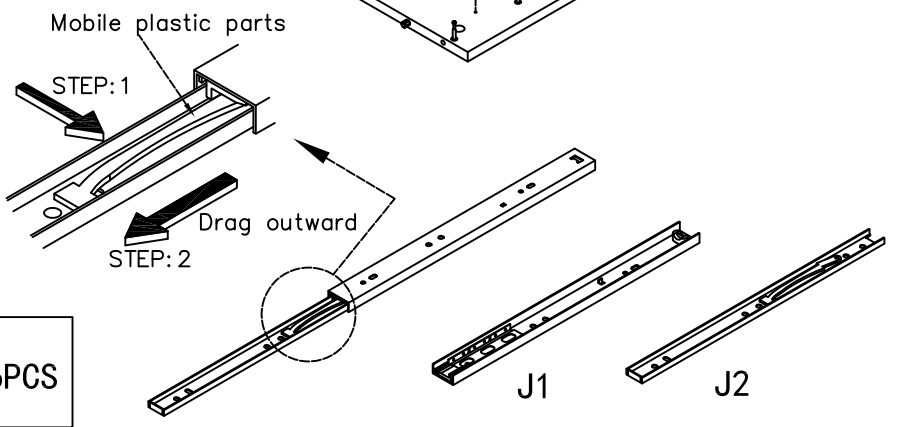
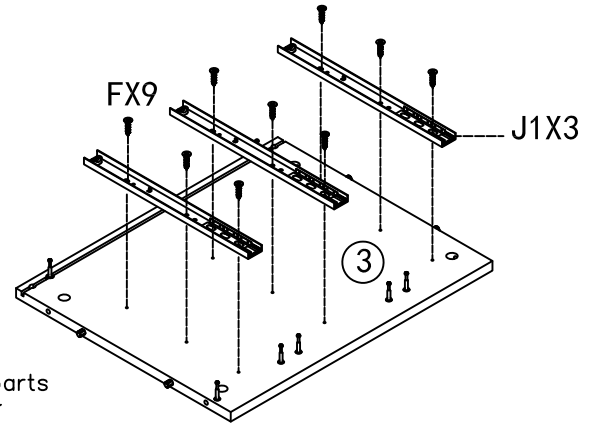
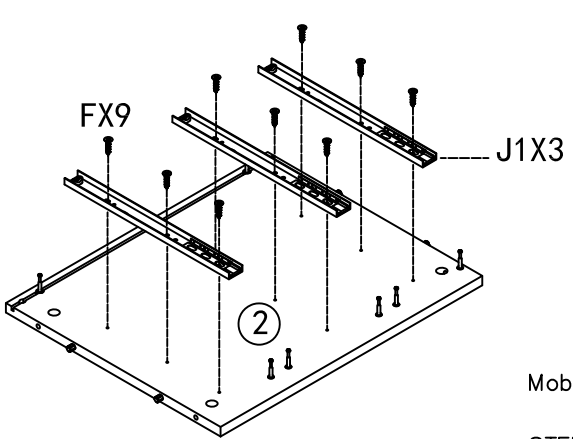
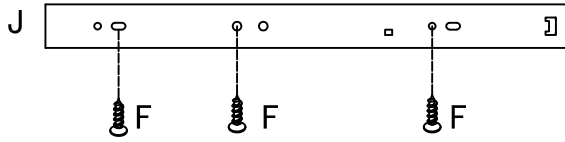
<p>A</p>  <p>M6*35MM 51+2PCS</p>	<p>B</p>  <p>15MM*9MM 51+2PCS</p>	<p>C</p>  <p>Ø8*30MM 31+2PCS</p>	<p>D</p>  <p>Ø6*30MM 6+1PCS</p>
<p>E</p>  <p>M4*30MM 25+2PCS</p>	<p>F</p>  <p>M3.5*12MM 36+2PCS</p>	<p>G</p>  <p>4+1PCS</p>	<p>H</p>  <p>M3*16MM 4+1PCS</p>
<p>I</p>  <p>1PCS</p>	<p>J</p>  <p>6PCS</p>	<p>K</p>  <p>M3*12MM 2PCS</p>	



STEP 1



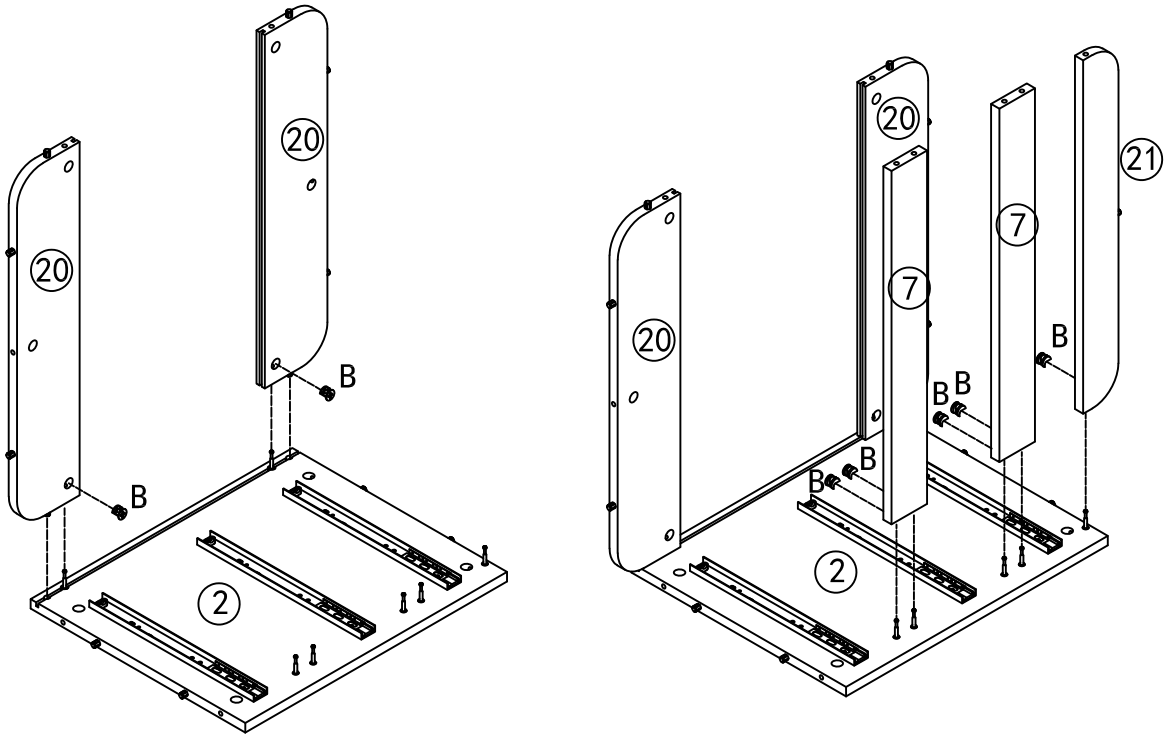
	A*14PCS		C*17PCS
--	---------	---	---------

STEP 2



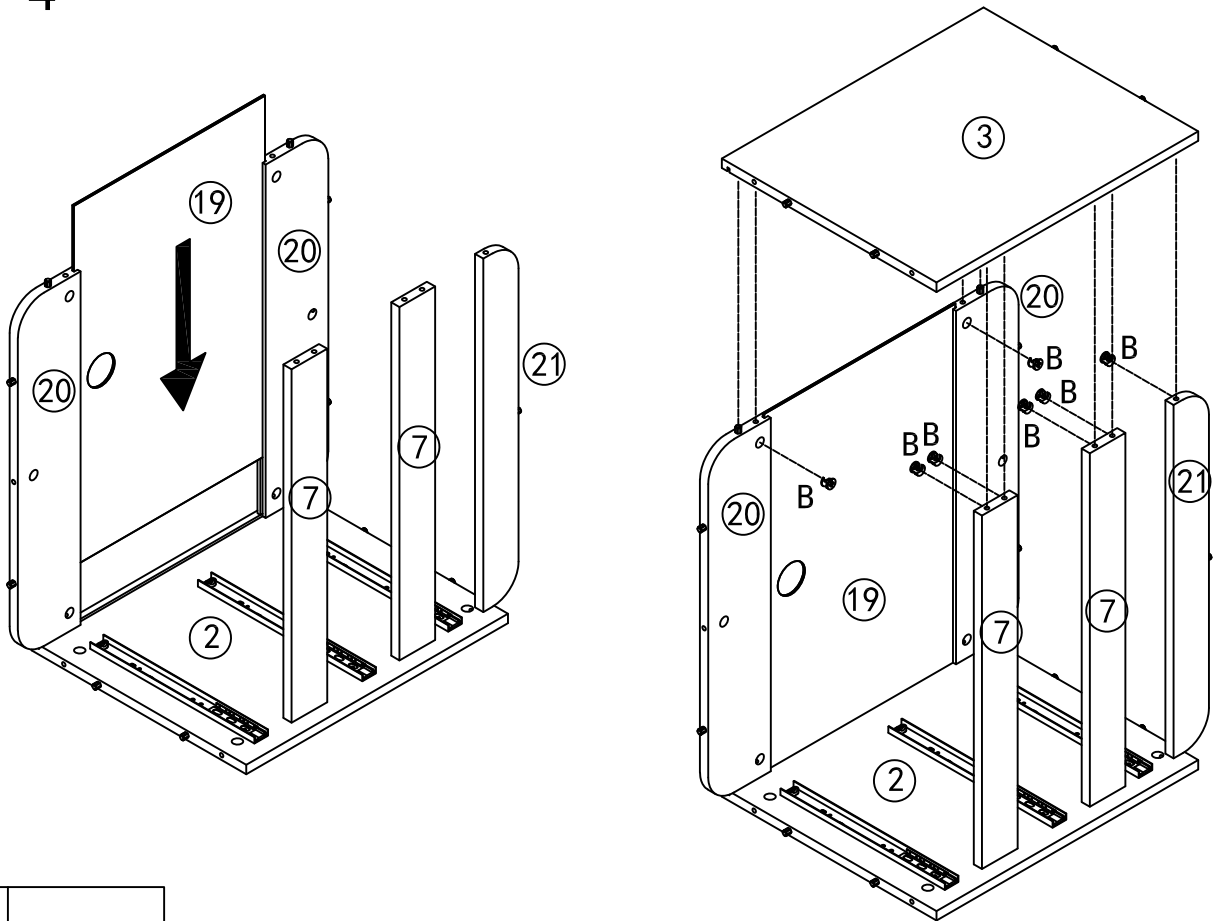
	F*18PCS		J1*6PCS
---	---------	---	---------


STEP 3



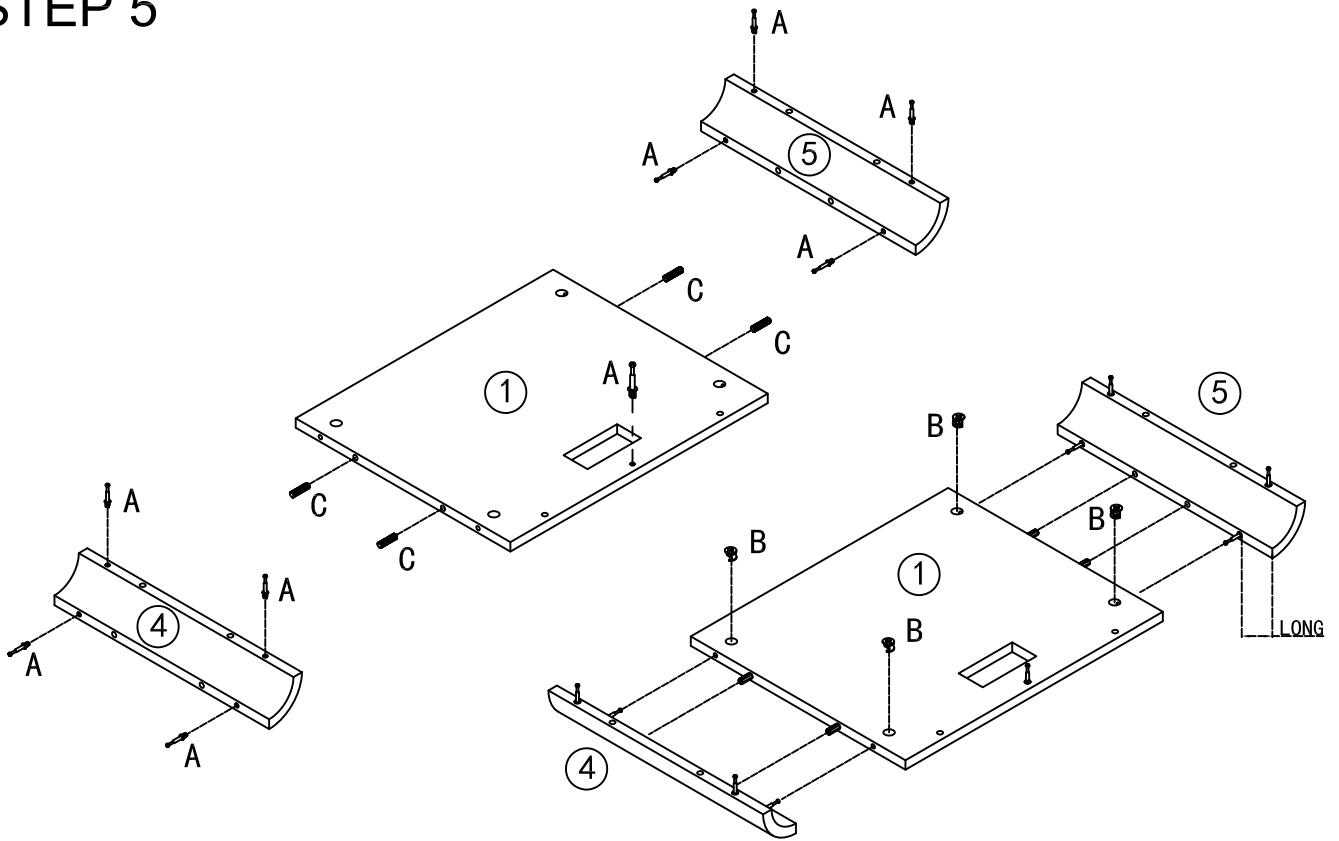
	B*7PCS
---	--------

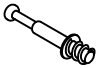

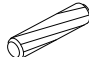
STEP 4



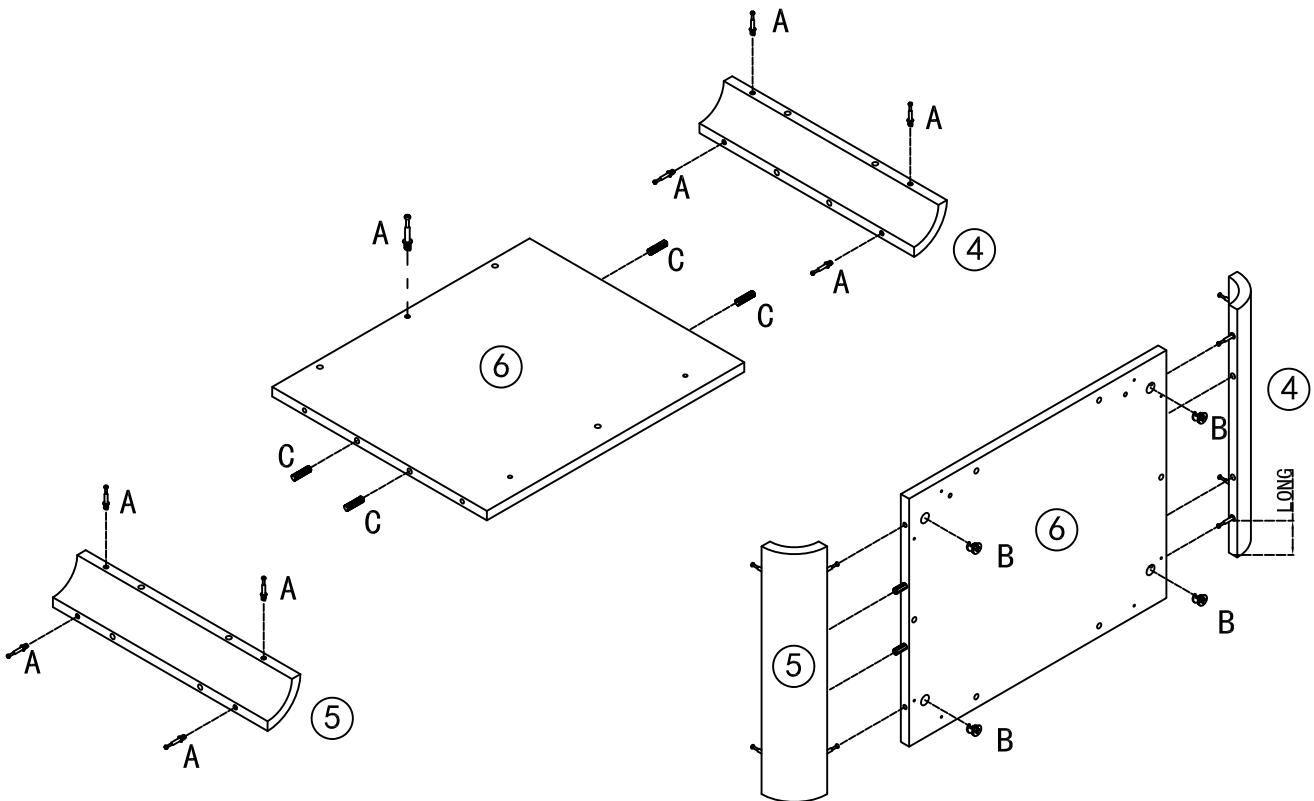
	B*7PCS
---	--------

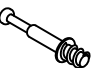

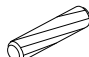
STEP 5



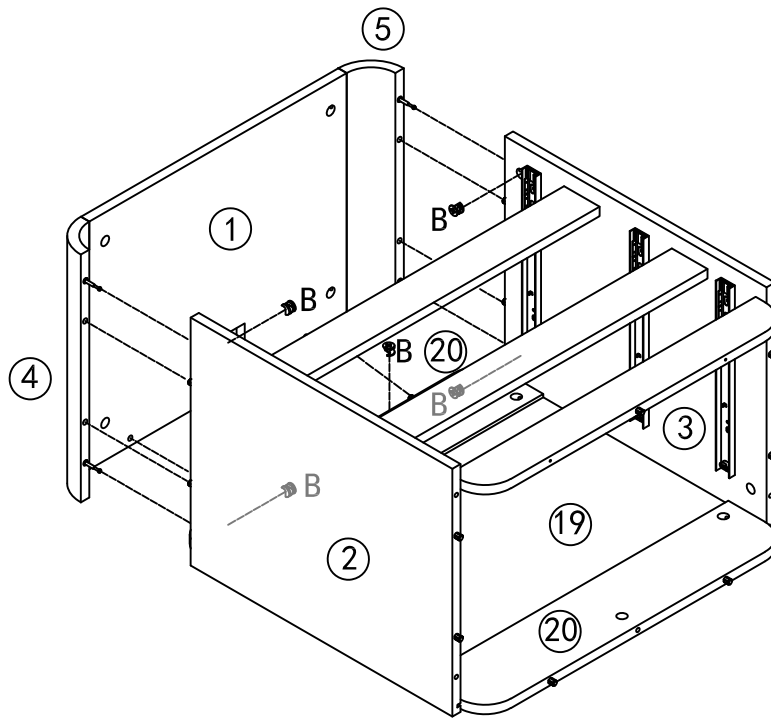
	A*9PCS		B*4PCS		C*4PCS
---	--------	---	--------	---	--------


STEP 6



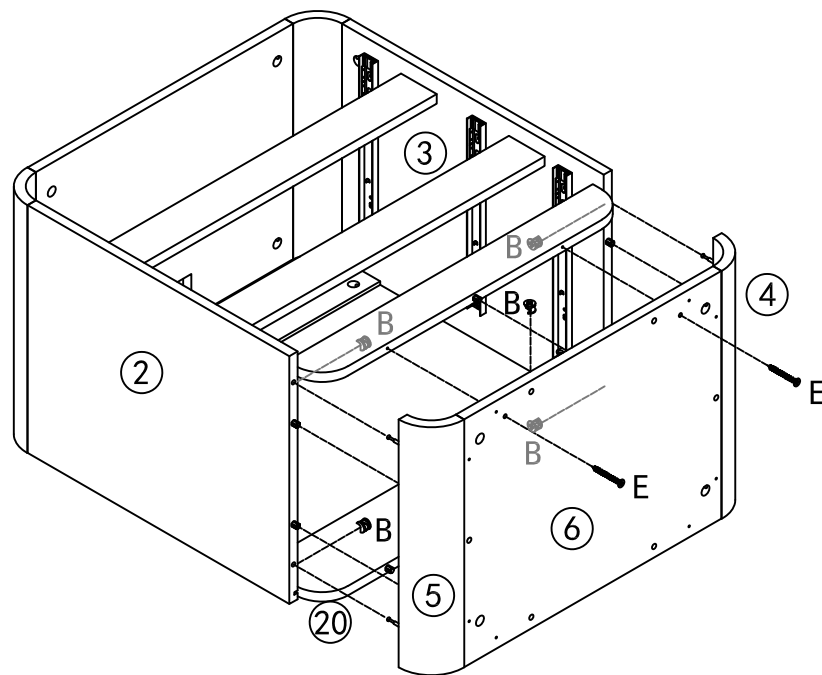
	A*9PCS		B*4PCS		C*4PCS
---	--------	---	--------	---	--------



STEP 7



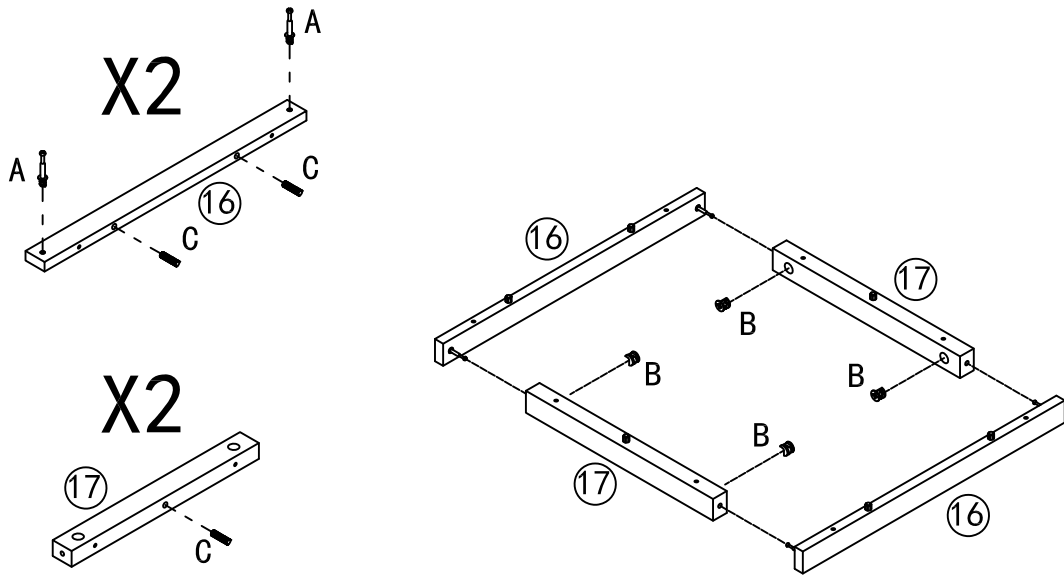
	B*5PCS
---	--------

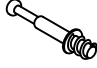

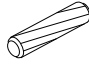
STEP 8



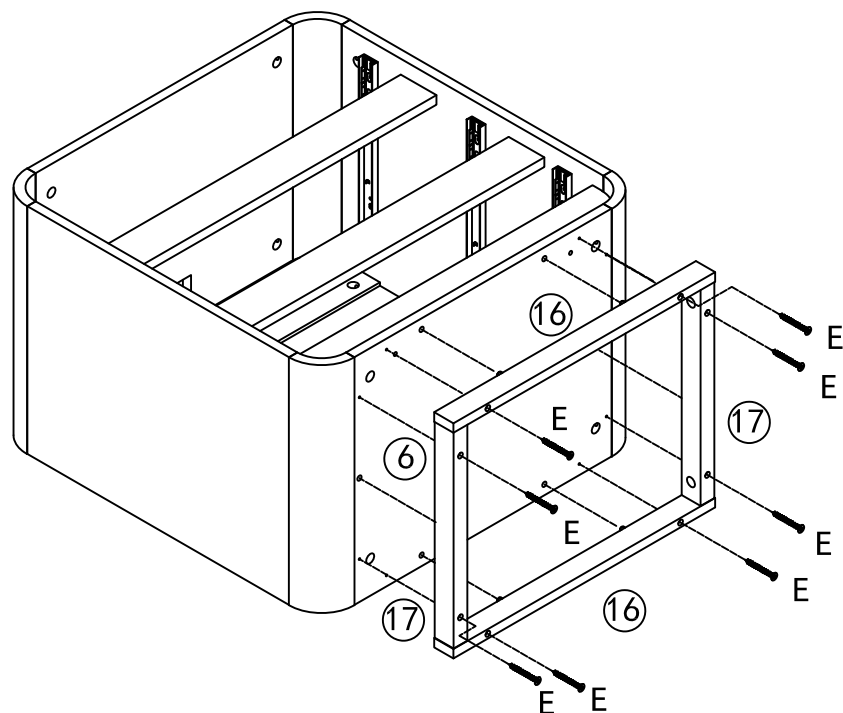
	B*5PCS		E*2PCS
---	--------	---	--------


STEP 9



	A*4PCS		B*4PCS		C*6PCS
---	--------	---	--------	---	--------

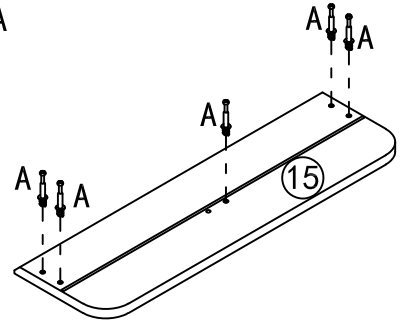
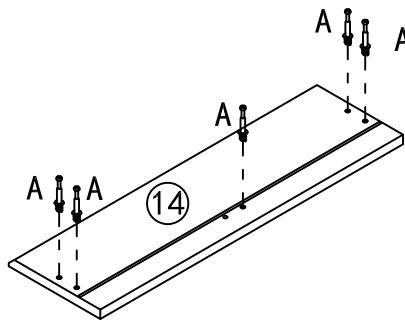
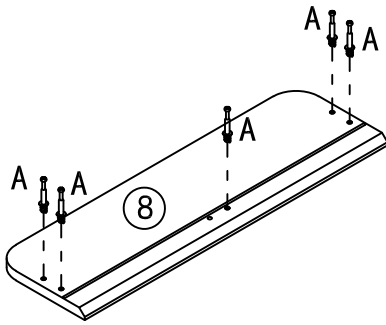
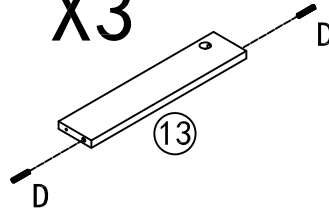
STEP 10

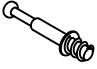
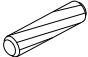


	E*8PCS
---	--------

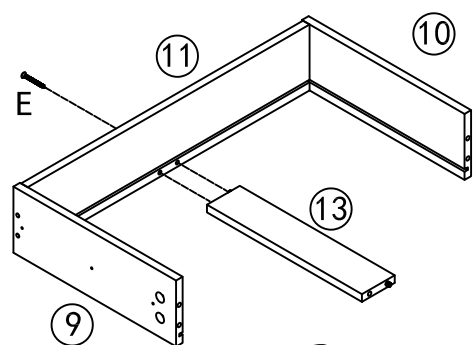
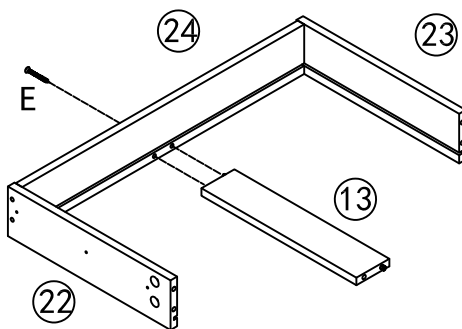
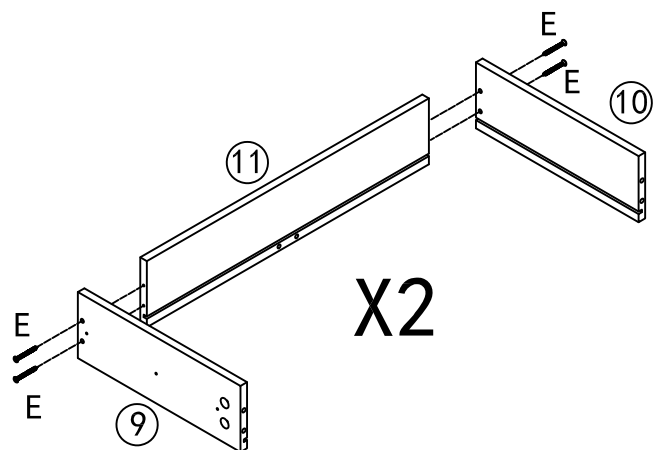
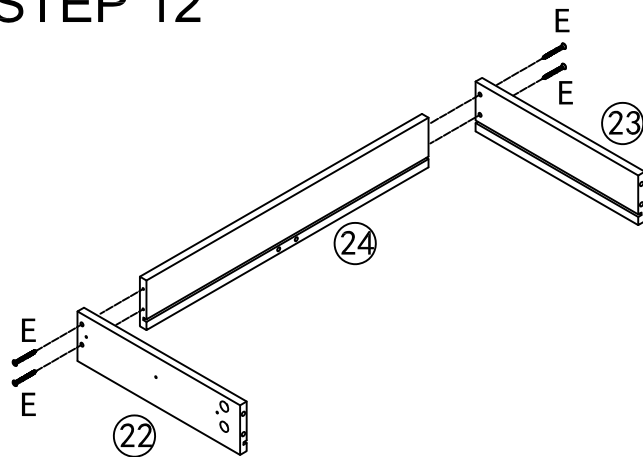
STEP 11

X3




	A*15PCS		D*6PCS
---	---------	---	--------

STEP 12

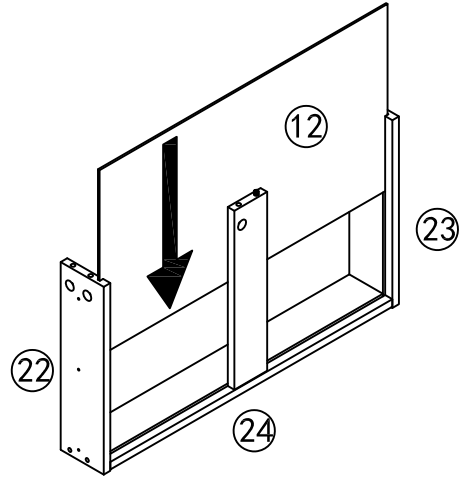
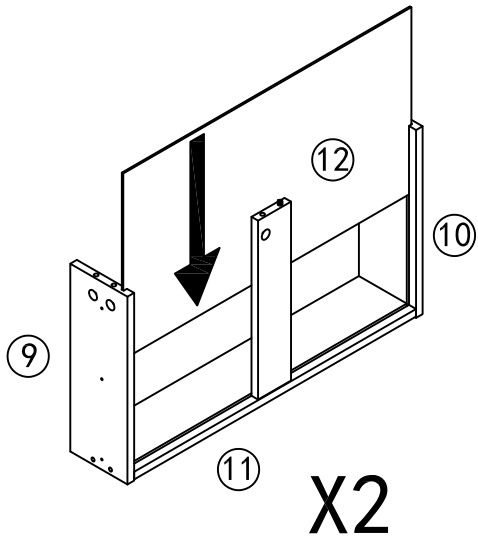


X2

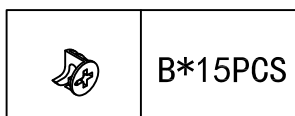
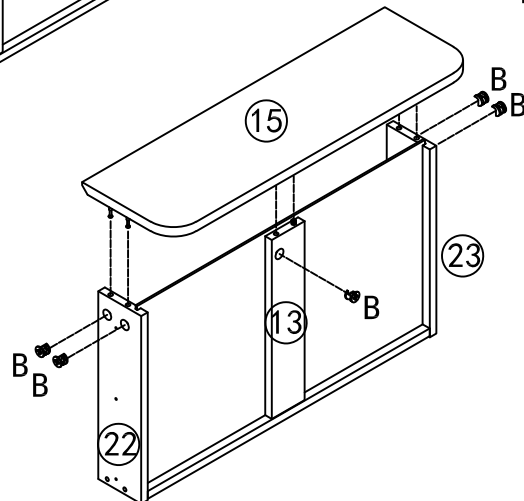
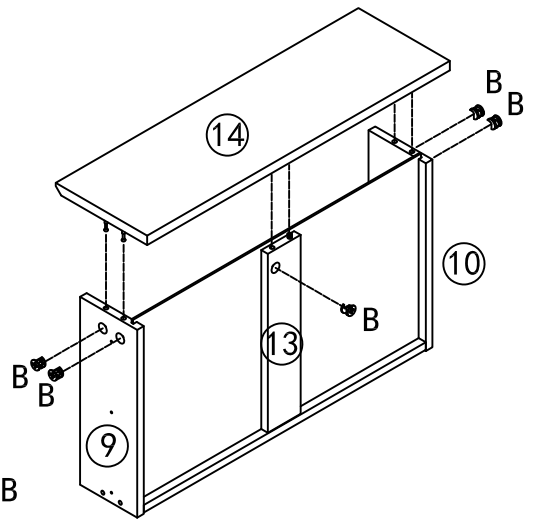
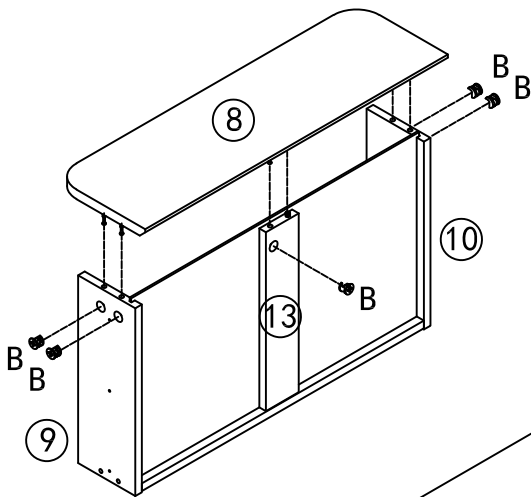
X2

	E*15PCS
---	---------

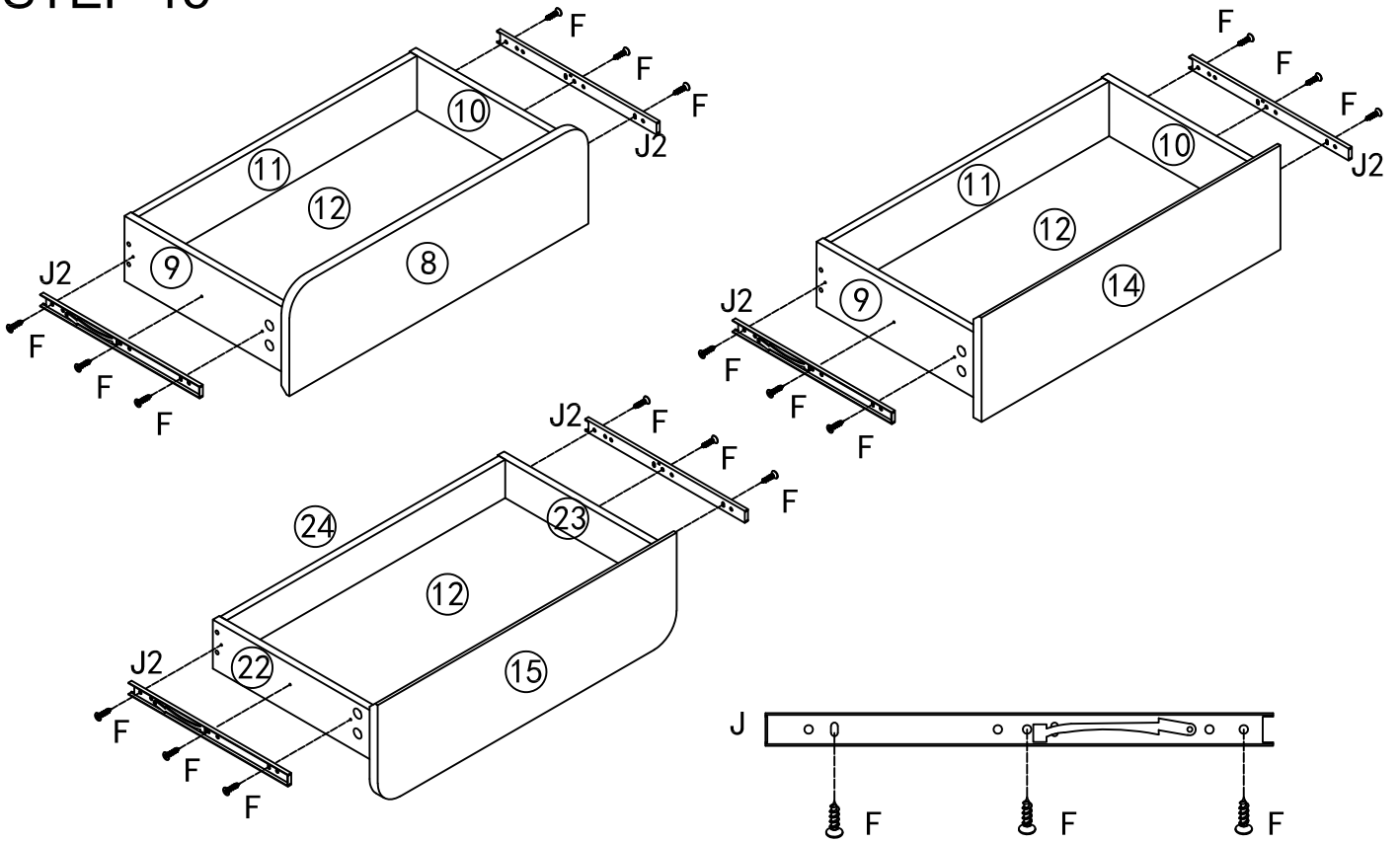
STEP 13





STEP 14

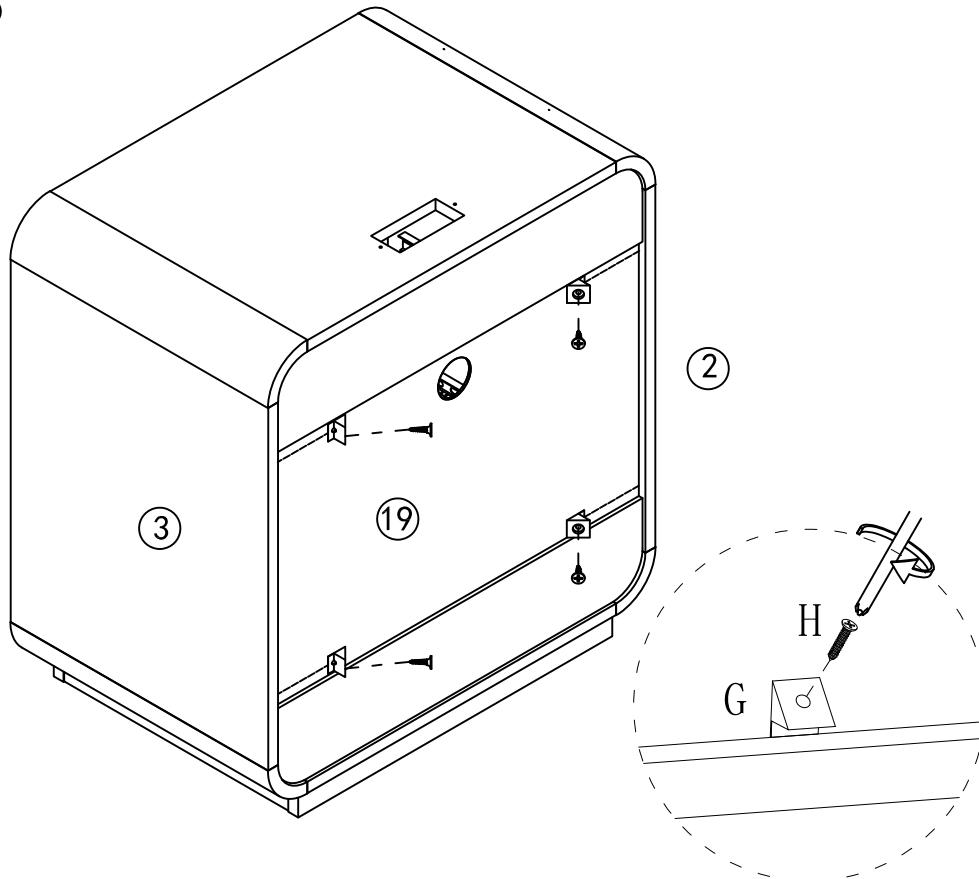




STEP 15



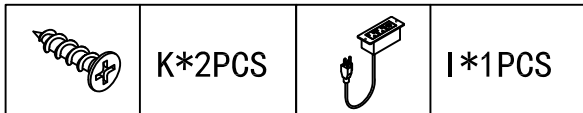
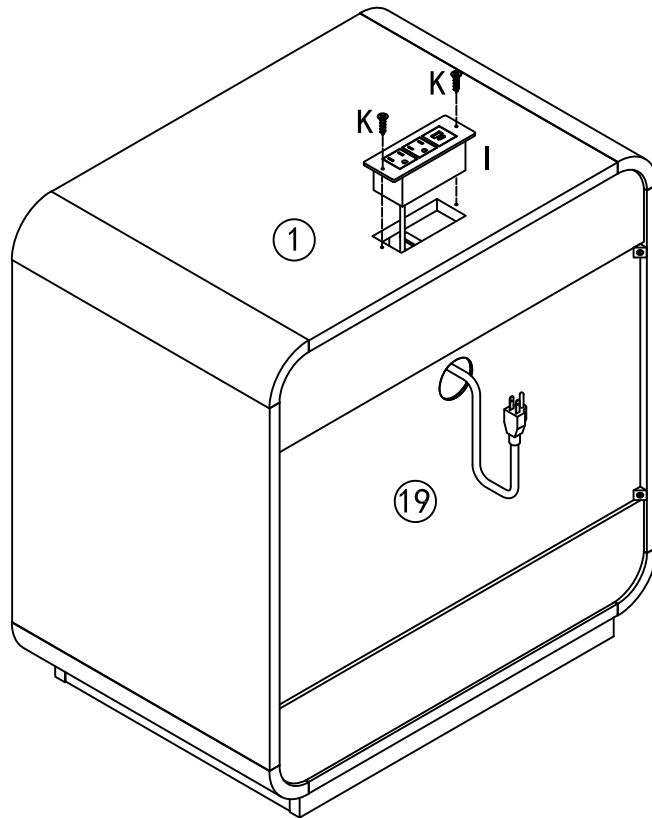
	F*18PCS		J2*6PCS
---	---------	---	---------

STEP 16



	G*4PCS		H*4PCS
---	--------	---	--------

STEP 17



STEP 18

