

User's Manual



INSTALLATION STEPS

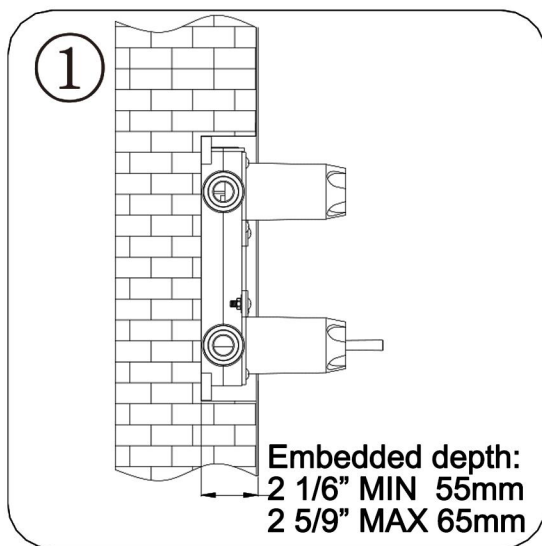
This product has been inspected and debugged by the factory to the best condition. Please do not disassemble and assemble it yourself.



Before installing the product, please be sure to remove sundries and sludge from the water pipe to prevent sundries from blocking the product.

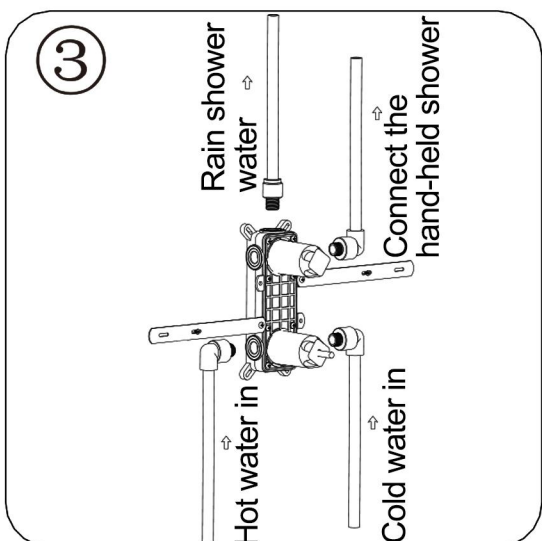


1. According to the basic size of the embedded box, use a special tool to open the main hole on the solid wall. The depth of the hole is as shown in the figure. It should be ensured that the distance between the surface of the finished wall and the bottom of the hole is between 2.16" and 2.56".

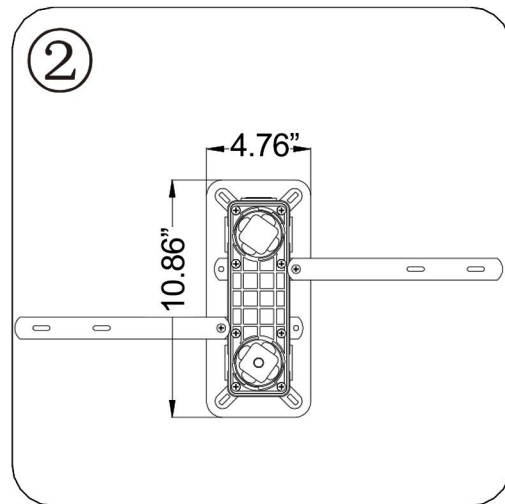


Note: depth of embedded box excavation thickness of tiles to be reserved.

3. Connect the inlet and outlet pipes as shown in the picture.

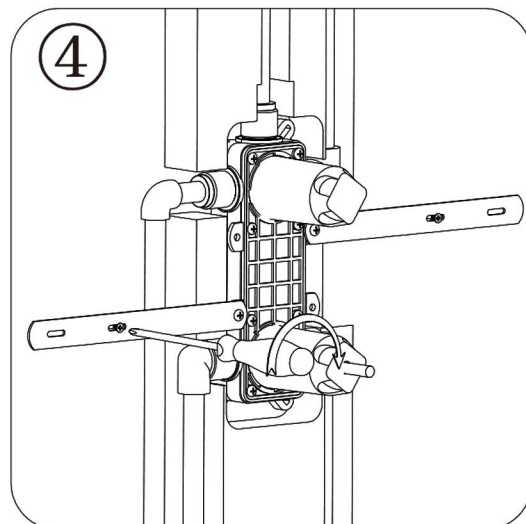


2. First find the stainless steel fixing bracket, and screw it to the upper and lower extension positions of the embedded box; The slot size on the wall is 10.86"X4.76".



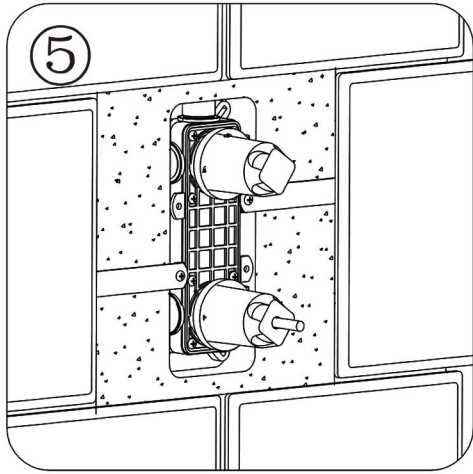
4. "Water tightness test:"

Keep the shower handle closed and turn on the hot and cold water inlet pipe switch. After 5 minutes, check whether there is leakage at the interface between the main body and the water inlet pipe. Block the rain shower outlet and the hand-held water outlet, keep the shower handle open, adjust the water divider, check whether there is leakage at the interface between the main body and the water outlet pipe.

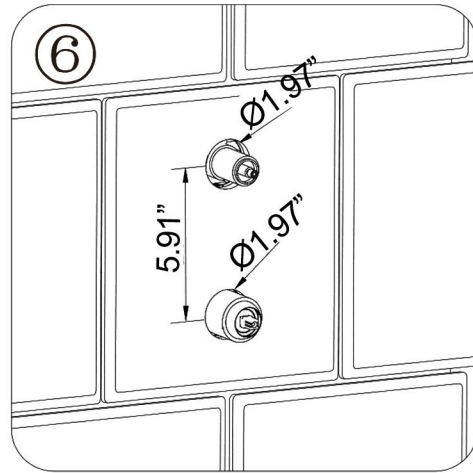


INSTALLATION STEPS

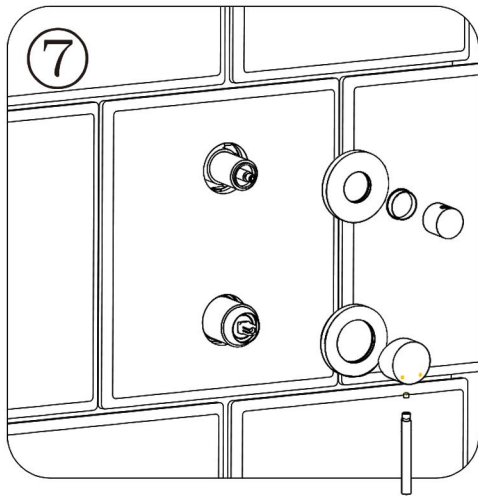
5. Make sure again that the pipeline connection is correct and that there is no leakage in the test water. Seal the embedded box and the pipeline with filler and take out the plastic protective cover.



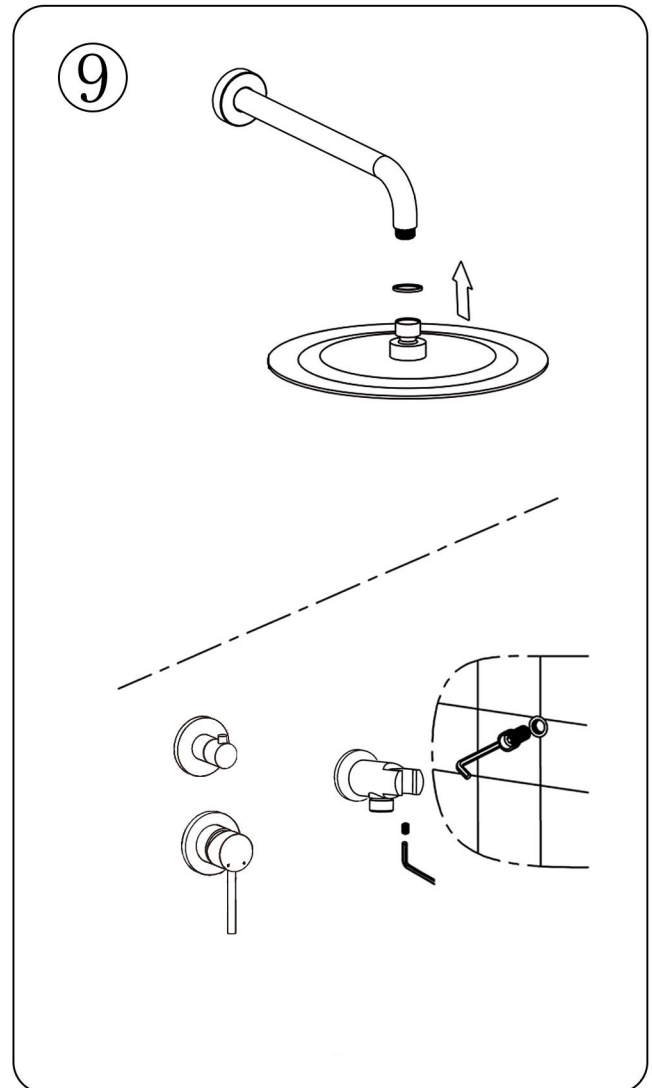
6. As shown in the picture, affix the tiles, and open two holes with a diameter of 1.97" in the middle tile, with a distance of 5.91" between the two holes.



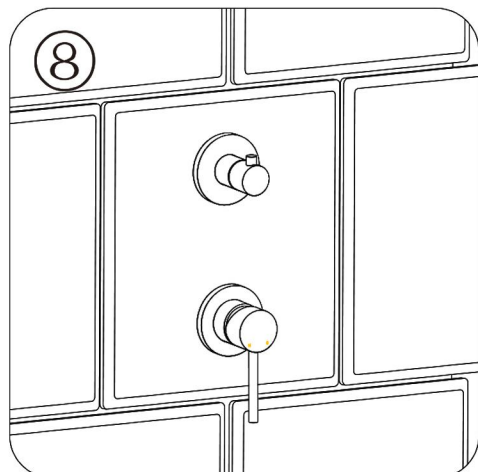
7. As shown in the figure, it is better to install the decorative sheet with a little glass glue on the bottom of the decorative sheet.



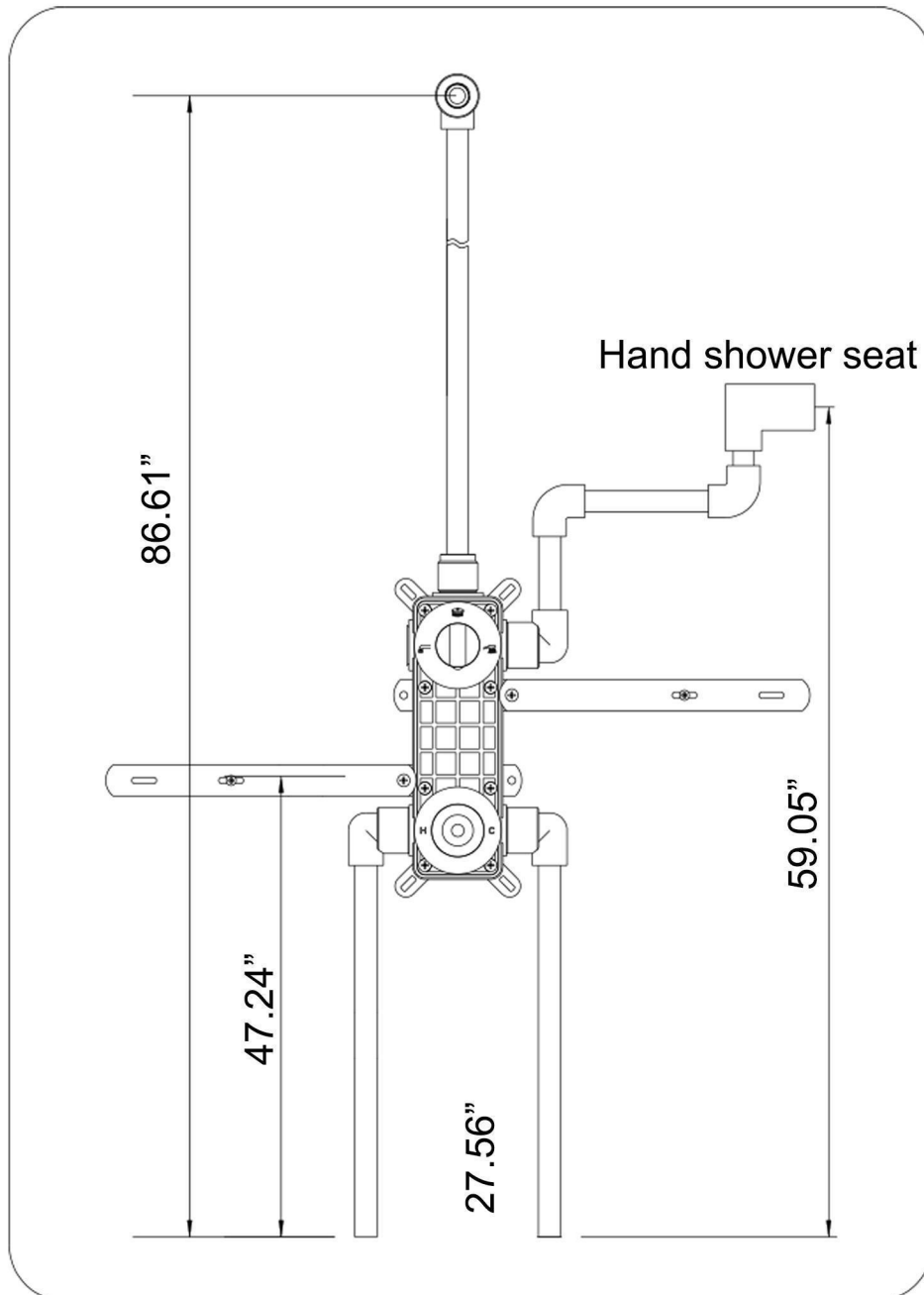
9. Install shower arm and shower head (wrap the PTFE tape on the thread).



8. After installation, test whether each function is used normally, and wipe the surface of the faucet with a soft cloth.



INSTALLATION DIMENSION



The picture is for reference only, you can install it according to your own requirements.

CLEANING CARE

In order to keep the appearance of product clean, bright and good performance, please take care of the product as follows;

1. Rinse with water only and dry with soft cotton cloth;
2. Use mild liquid and colorless glass cleaner to remove surface dirt and scale film, or use polish without abrasive effect;
3. Do not use abrasive detergent, polish, emery cloth, paper towel or scraper, etc;
4. Do not use acid cleaner, or cleaner and soap with insoluble gran etc;
5. In the process of use, mud may accumulate in the bubbler and make the water flow slow, The bubbler can be unscrewed, rinsed with water, and then installed back in place.



