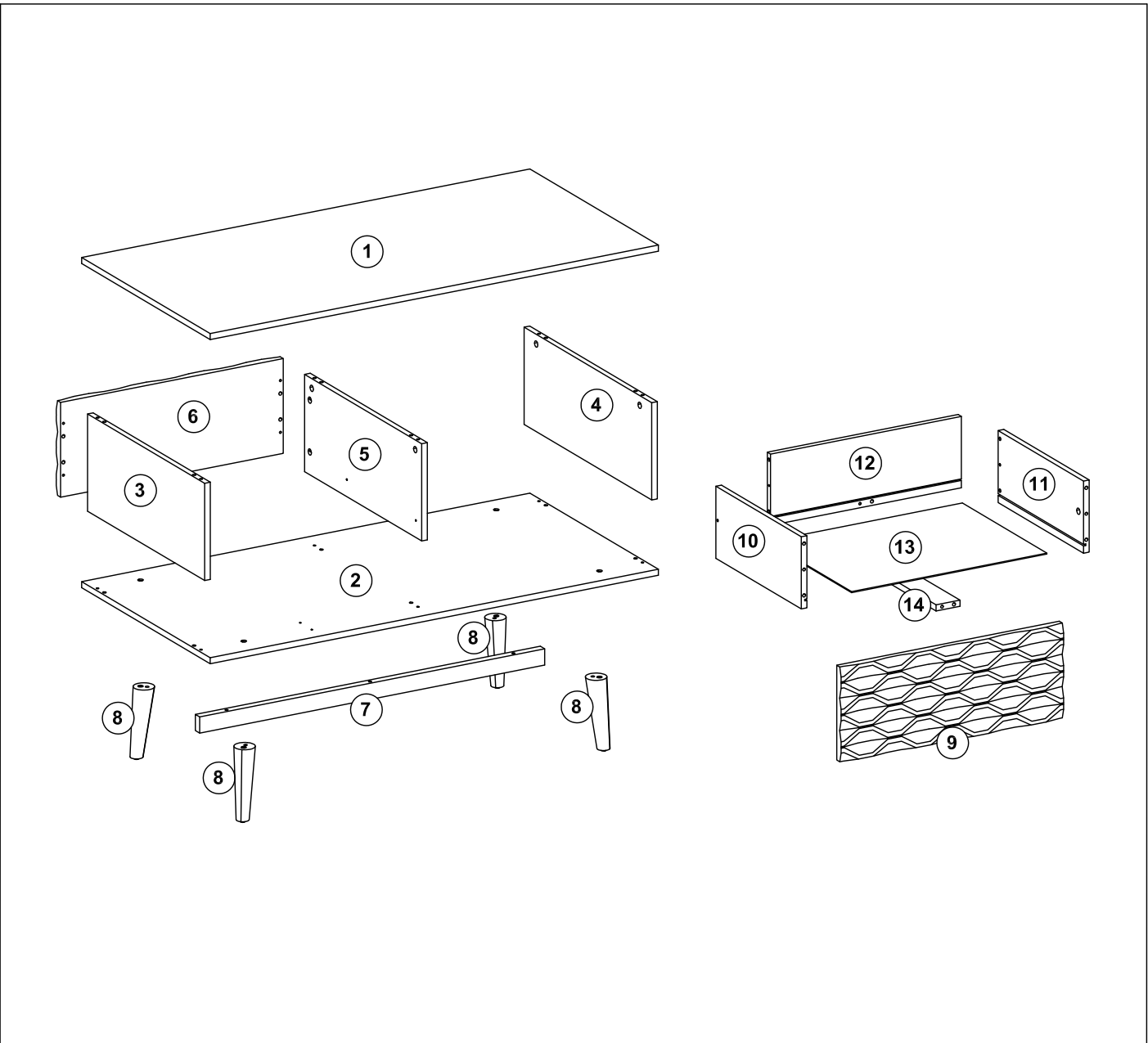
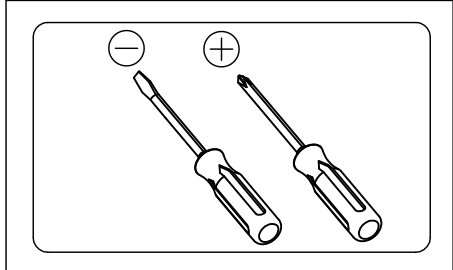
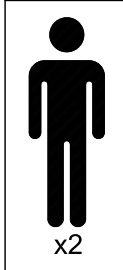
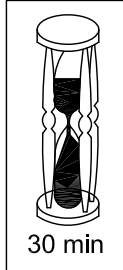
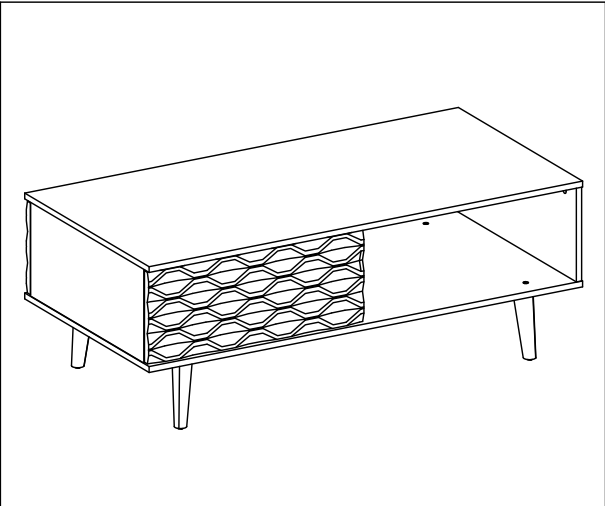





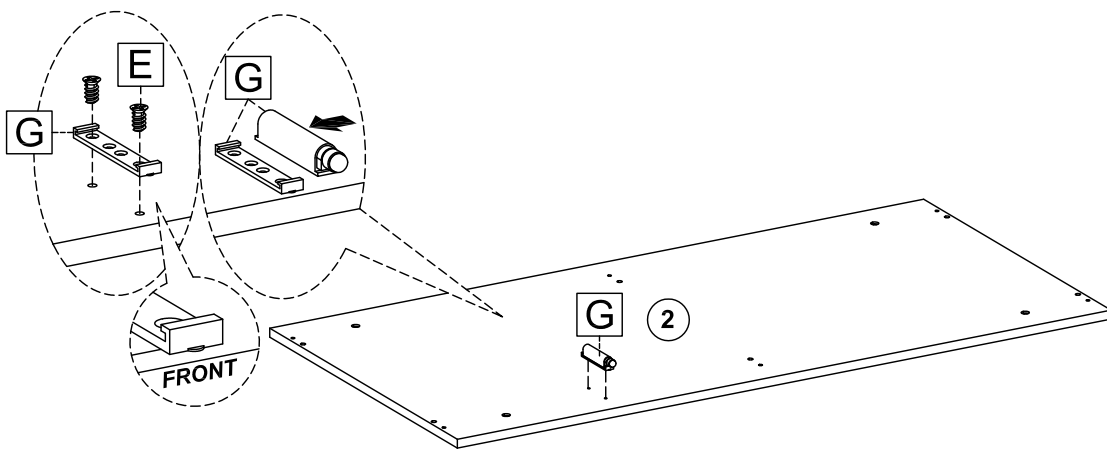
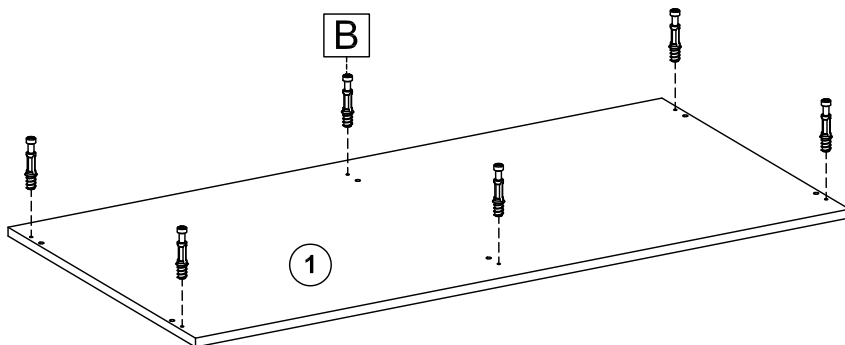
# COFFEE TABLE






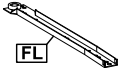
<b>A</b>	13X	<b>B</b>	13X	<b>C</b>	16X	<b>D</b>	30X	<b>E</b>	6X	<b>F</b>	1SET	<b>G</b>	1X	<b>H</b>	3X	<b>I</b>	3X	<b>J</b>	1X
									6 x 8 mm		FR FL						6 x 50 mm		
<b>K</b>	4X	<b>L</b>	9X	<b>M</b>	4X														
	6 x 30 mm		10 x 33,5 mm		6 x 13 mm														

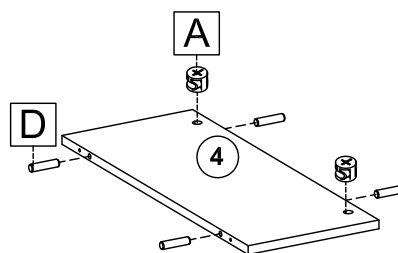
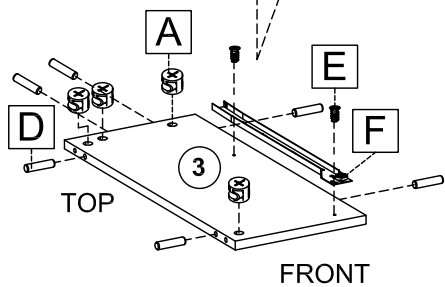
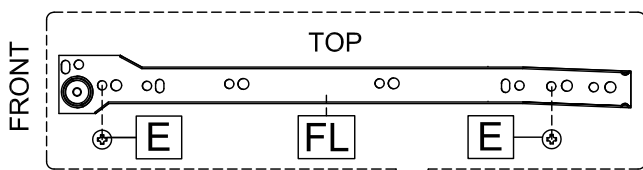
**1**

- B**  6x
- E**  2x
- G**  1x

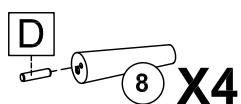
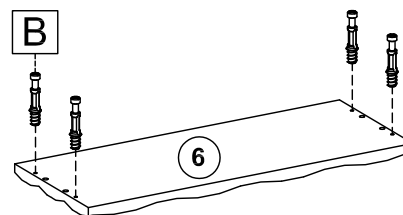
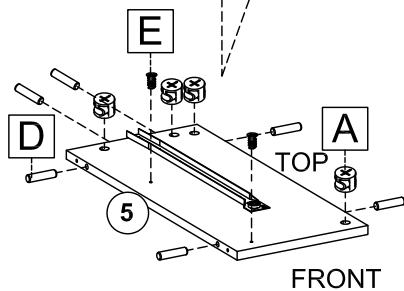
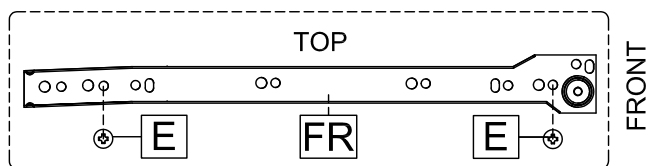
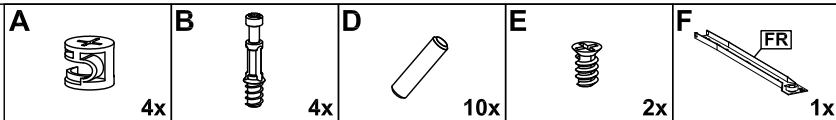


**2**

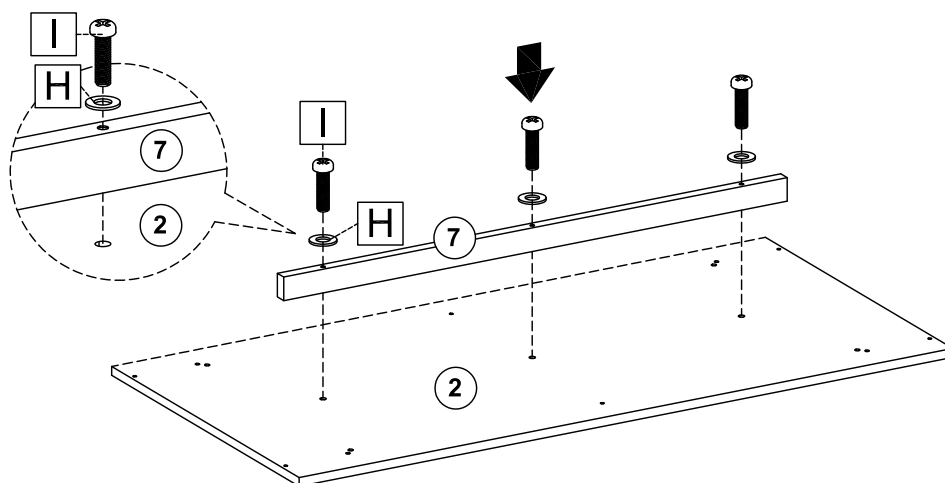
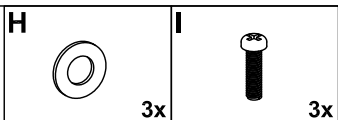
- A**  6x
- D**  10x
- E**  2x
- F**  1x



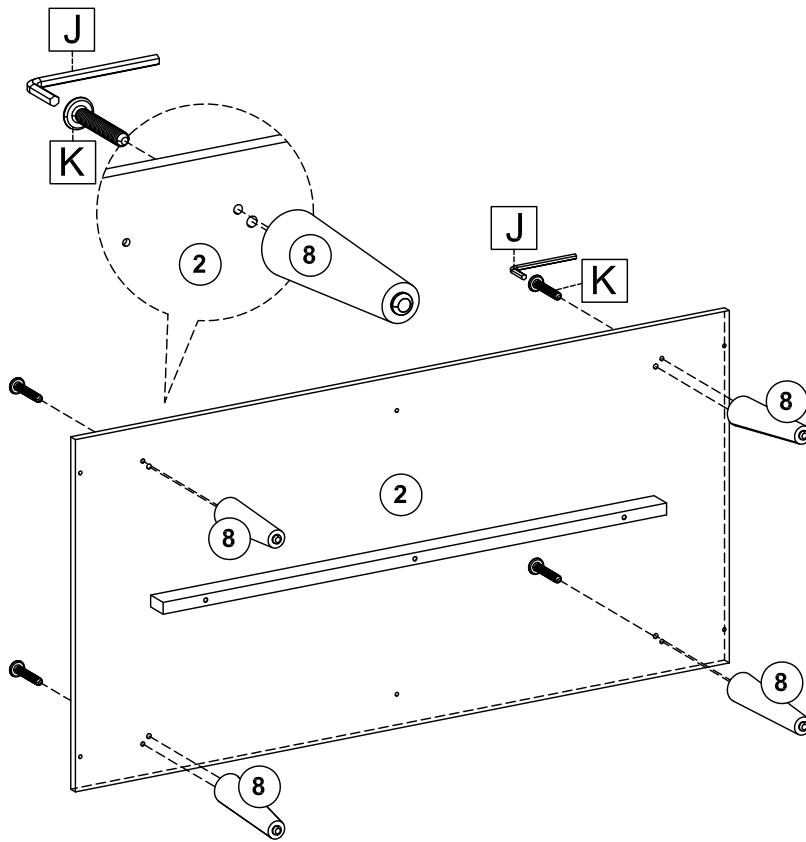
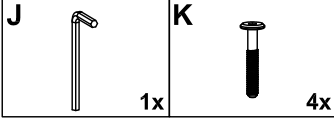
3



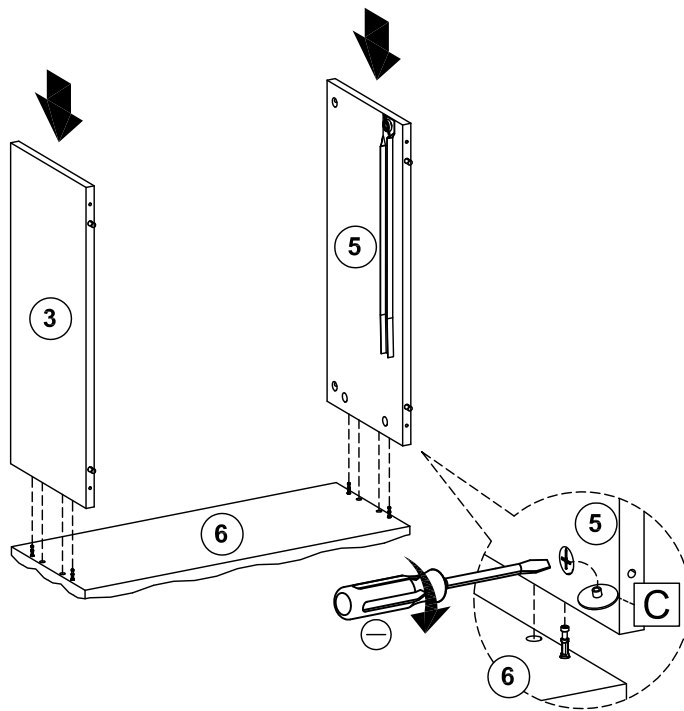
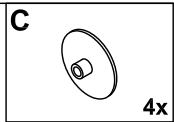
4



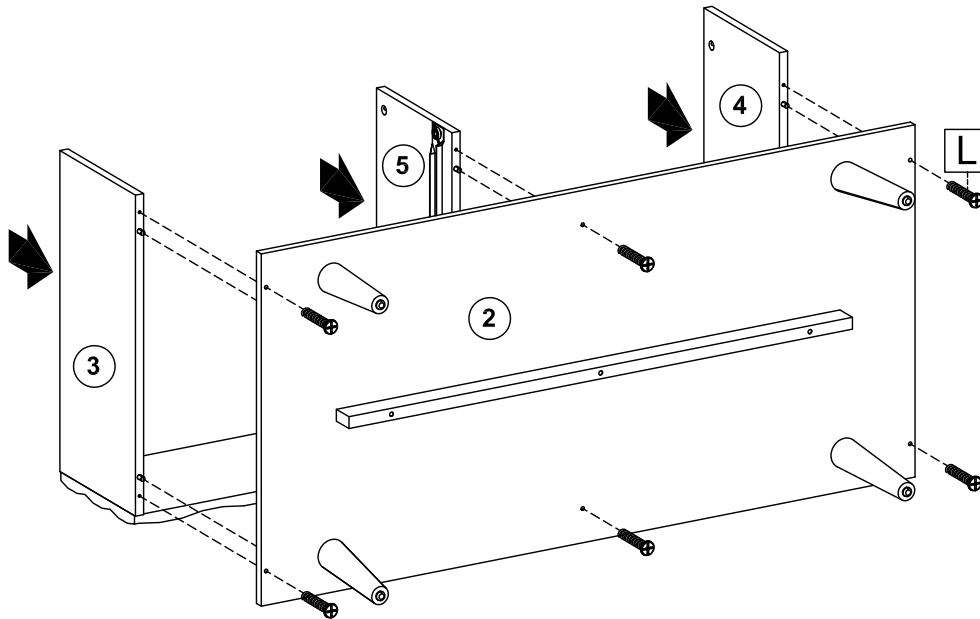
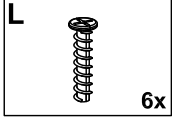
5



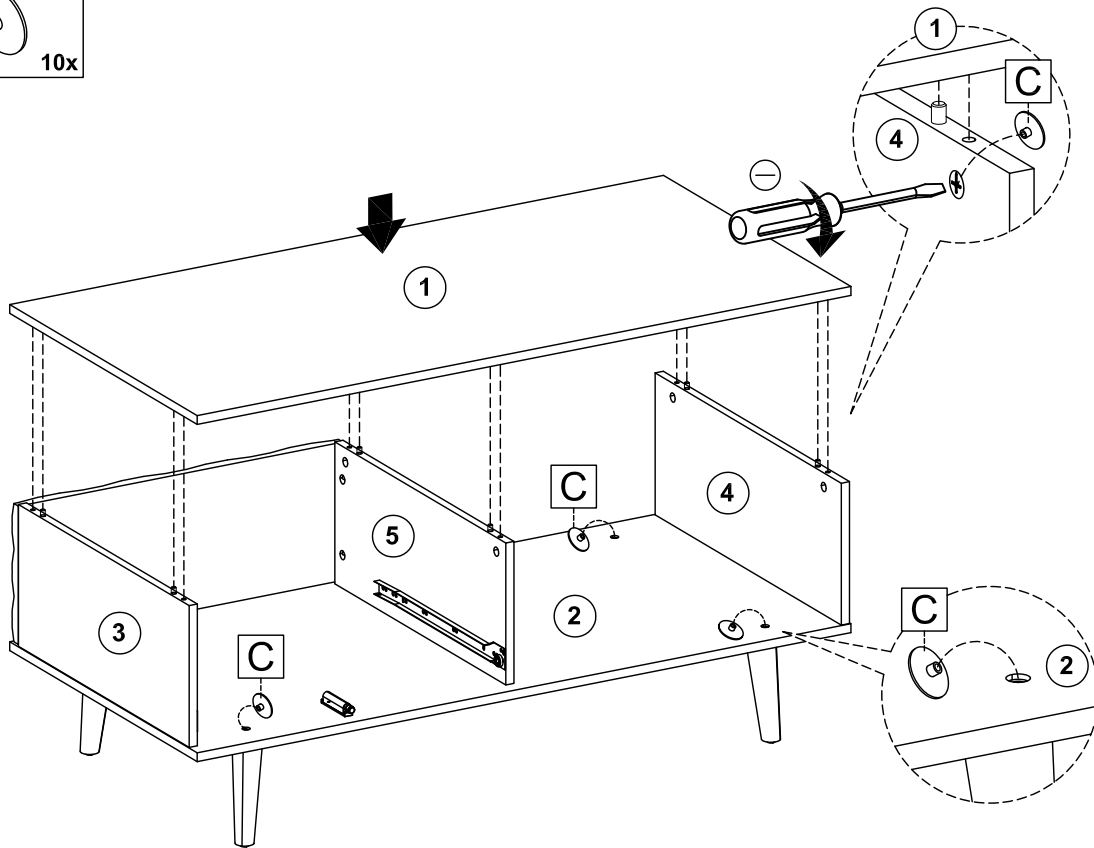
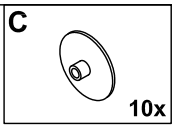
6



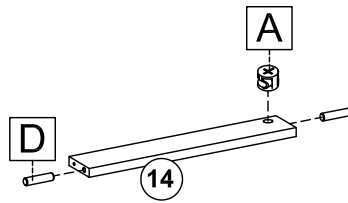
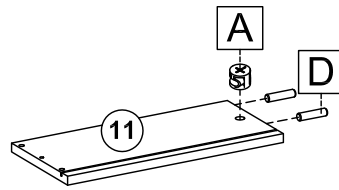
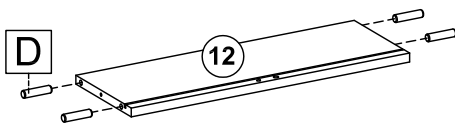
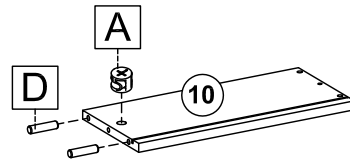
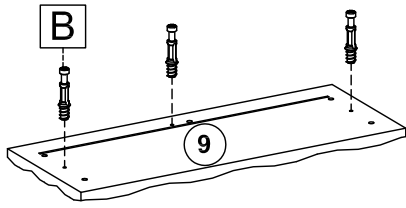
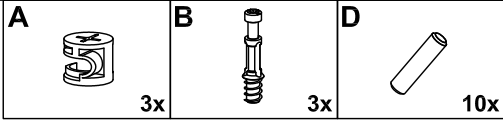
7



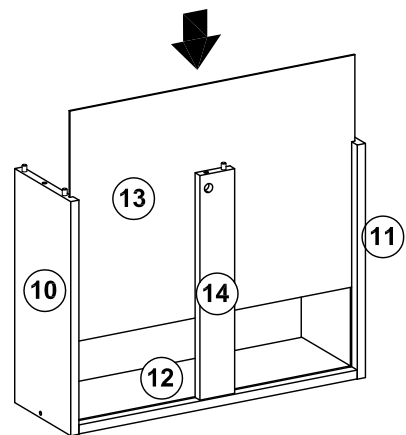
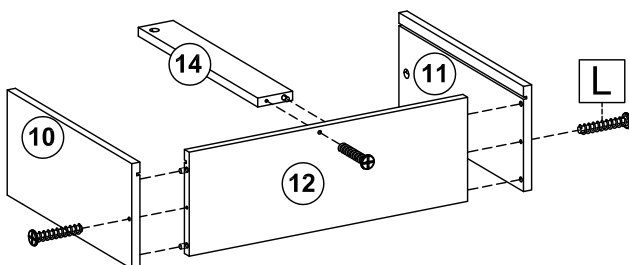
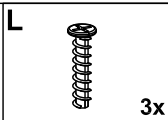
8



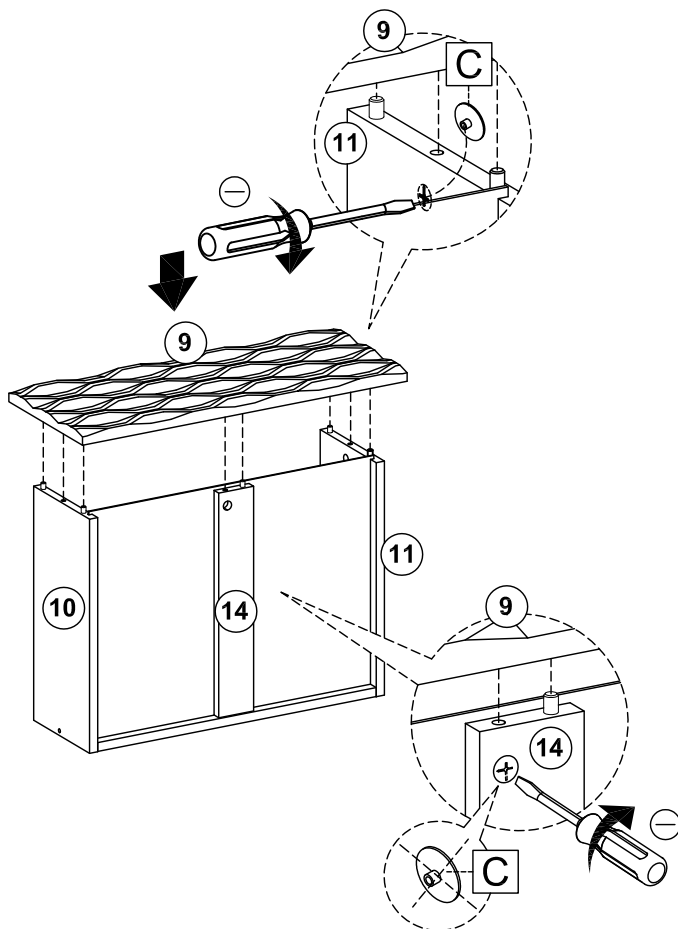
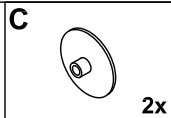
9



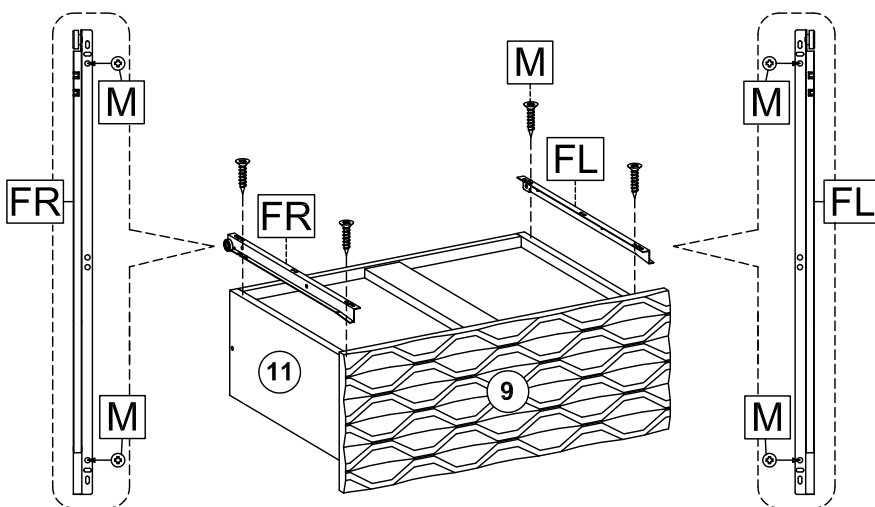
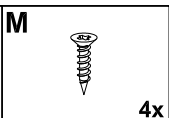
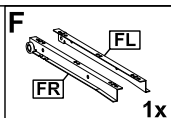
10



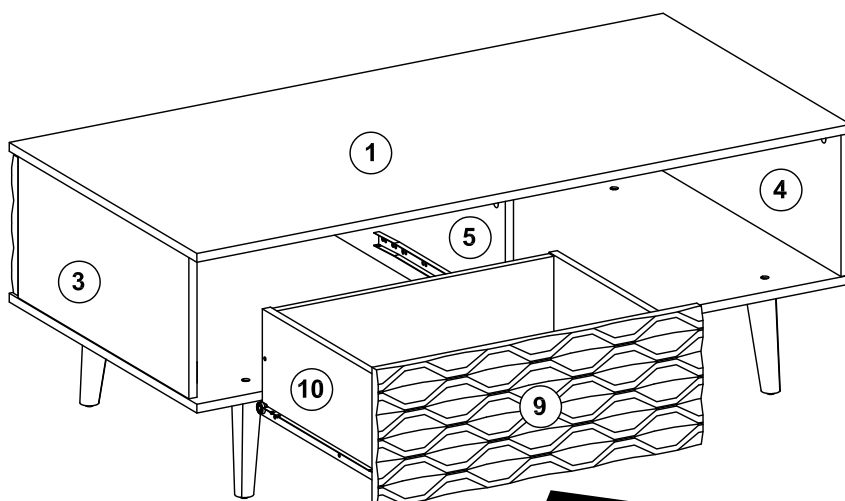
11



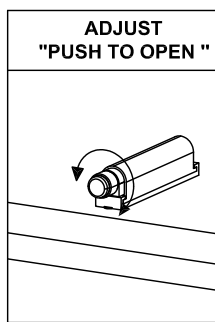
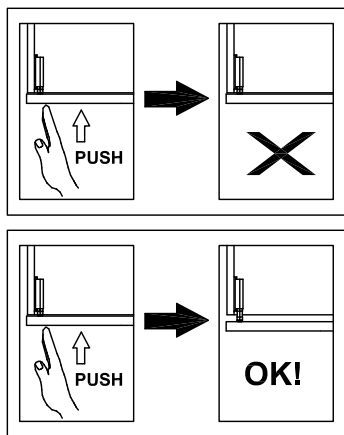
12



# 13



TOP VIEW



# 14

