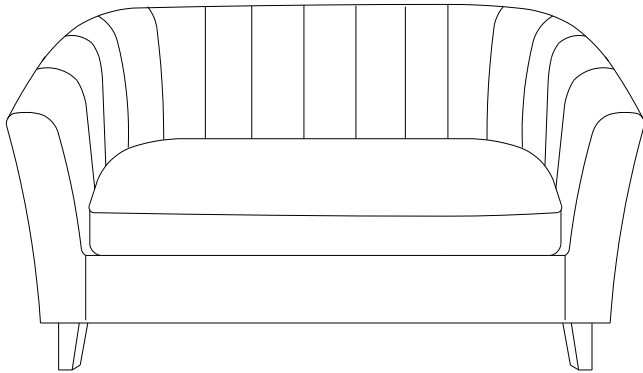


# LOVESEAT / CHAIR

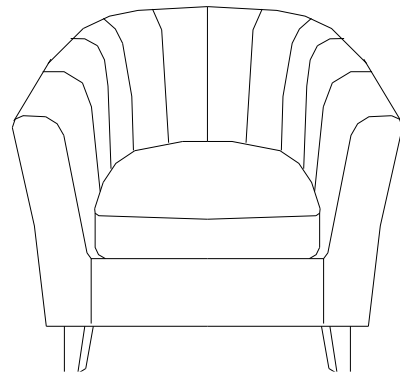
Thank you for purchasing the

Before you start, here are some helpful advice:

1. We suggest you spend a short time reading through this leaflet and then follow the simple step-by-step instructions.
2. Owing to the size and weight of the loveseat, we recommend that it is assembled by two adults, on a carpeted or padded area, in the room that it is intended for. Approximate assembly time: 20 minutes.
3. Please do not use any tools other than those provided or recommended in these instructions.
4. Please do not throw away any of the packaging or the instruction until you have checked all the components and hardware and the furniture is fully assembled. Please ensure that the packaging is disposed of in a safe and environmentally friendly way.
5. Assemble all components loosely until advised to tighten. Depending on use, it may be necessary to tighten the components from time to time, so please save the tools that have been provided.
6. Please keep all fitting out of reach of children.



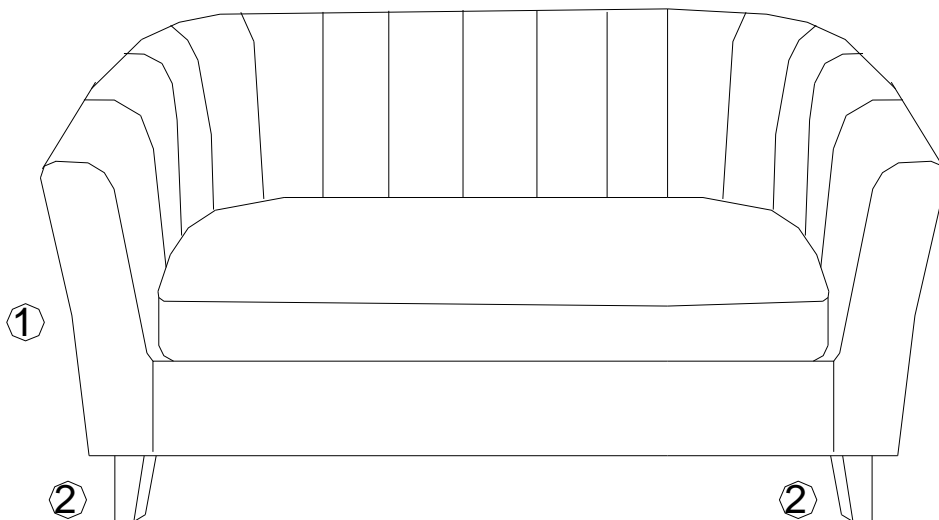
Loveseat



Chair

- The assembly steps are the same as Loveseat

Component:



1 Loveseat Body (or Chair body) x1      2 Leg x 4

# LOVESEAT / CHAIR

---

## STEP 1:

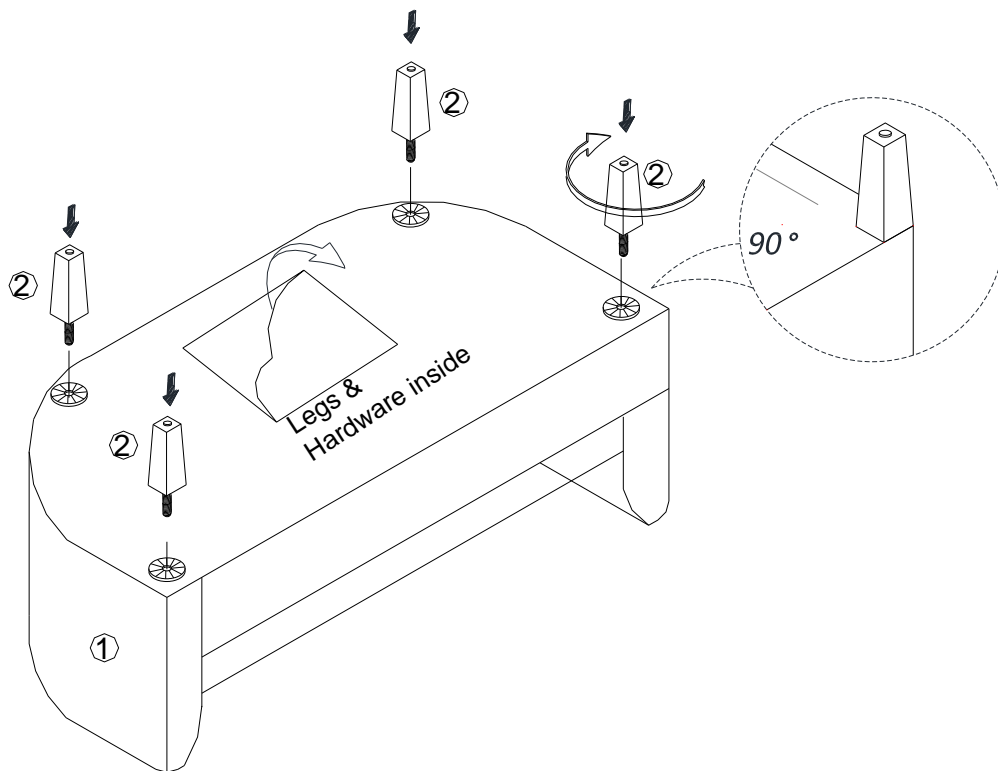
Please put **Loveseat Body (1)** on a carpeted or padded surface.

Open the zipper from the bottom of the **Loveseat Body (1)** and take out the 4 pieces of **Legs (2)**.

Attach 1 piece of **Leg (2)** to the bottom of **Loveseat Body (1)** and secure by hand as shown.

Please note that the legs needs to be in the right direction.

Repeat the same steps for other 3 pieces of **Legs (2)**.



---

## STEP 2:

Close the zipper on the bottom of the **Loveseat Body (1)**.

Carefully turn over the assembled **Loveseat Body (1)** and **Legs (2)** from step 1 as shown.

Assembly is complete. Your loveseat is ready to be used now!

