

Vanity Installation Guide

Before Beginning

We recommend consulting a professional if you are unfamiliar with installing bathroom fixtures and plumbing. Signature Hardware accepts no liability for any damage to the floor, walls, plumbing, vanity cabinet, sink, counter top, or personal injury during installation. Observe all local plumbing and building codes. Unpack and inspect the vanity for damage. If any damage is found, contact our Customer Relations team at 1-855-738-1378

Getting Started

- Ensure that you have gathered all the required materials that are needed for the installation.
- Ensure that your bathroom floor is adequately supported, and the finished floor is level.
- Ensure that there is adequate support behind the bathroom wall before installation.
- Vanity Base installed square and plumb with wall and floor Vanity Base also needs to be level

Tool and Material Requirements

- Flat, non-abrasive work surface (blanket or smooth cardboard)
- Philips-head screwdriver
- Carpenter's level
- Utility blade

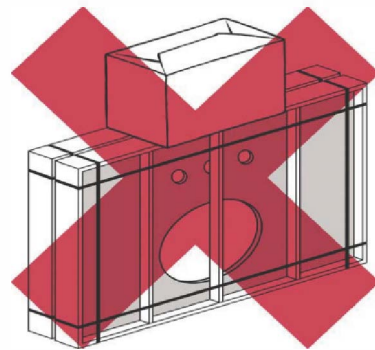
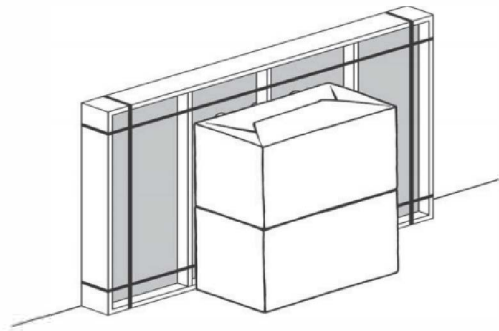
Cleaning and Maintenance Instructions

- Avoid abrasive and harsh chemical cleaners
- To maintain and protect luster of vanity sink components,

Tools and Materials



Crate Storage and Care

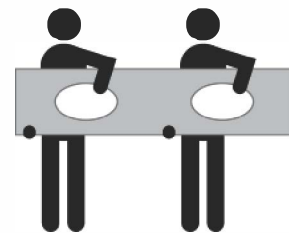
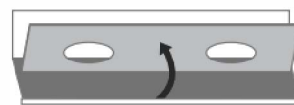
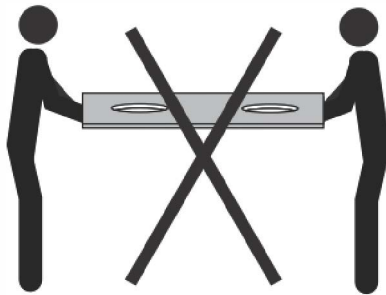


- Keep stone top in its crate until installation
- Store Crate vertically in safe location
- Do not stack anything on top of crate

NEVER LIFT THE VANITY TOP FLAT

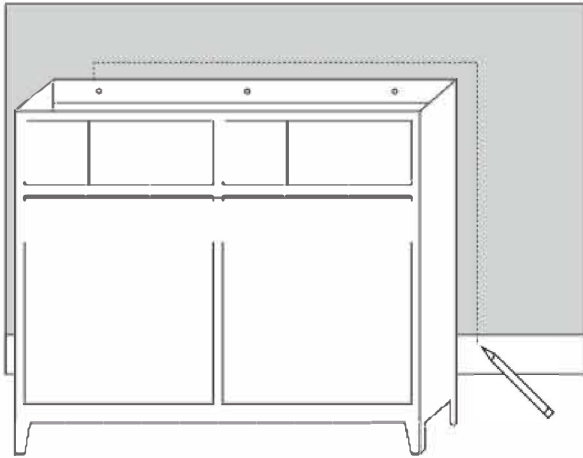


NEVER CARRY THE VANITY TOP FLAT

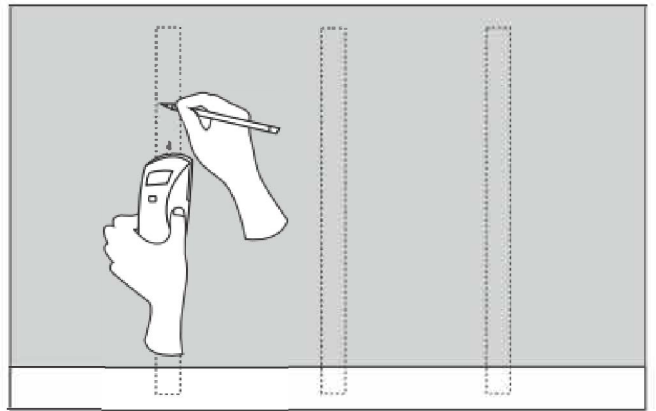


Cabinet Installation

1) Determine location of where you would like to install your vanity



3) Place vanity in the installation location. Check that vanity cabinet is level.

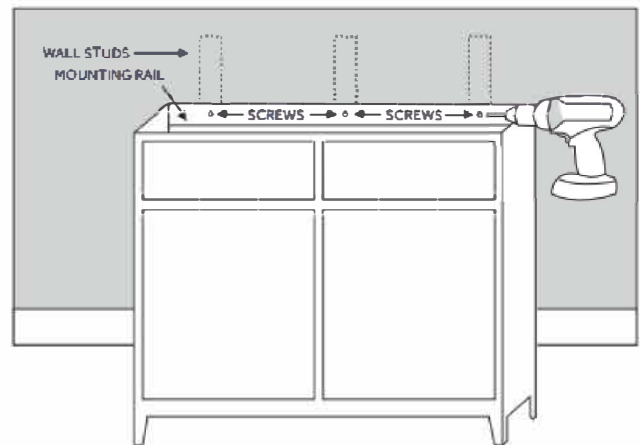
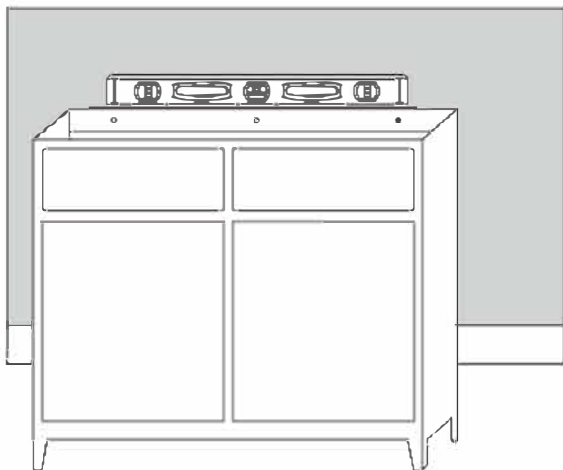


2) Once located, mark the location of the studs where vanity will be fastened to. Use stud finder to locate studs.

IMPORTANT: if studs in your bathroom do not line up with mounting on your vanity - wood blocking can be installed between studs using 2 x 4's. We recommend consulting with a professional if you are unfamiliar with installation.

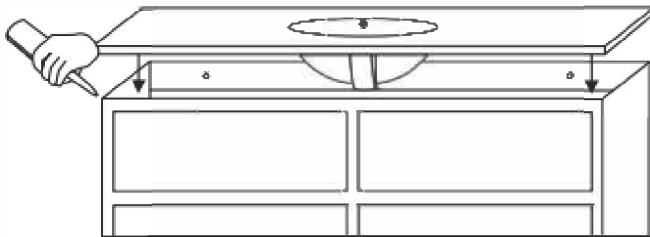
4) Attach your vanity to the wall by screwing through the back of the vanity cabinet. Use the marked stud locations as a guide.

IMPORTANT: if vanity cabinet is not leveled, use wooden shims to adjust.



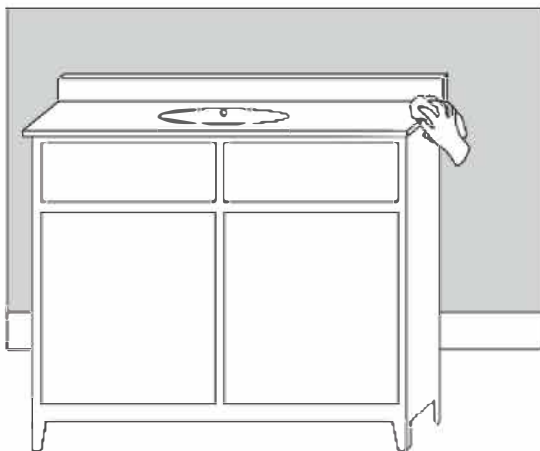
Counter Top Installation

1) Apply a bead of silicone sealant around the top edge of the vanity cabinet.

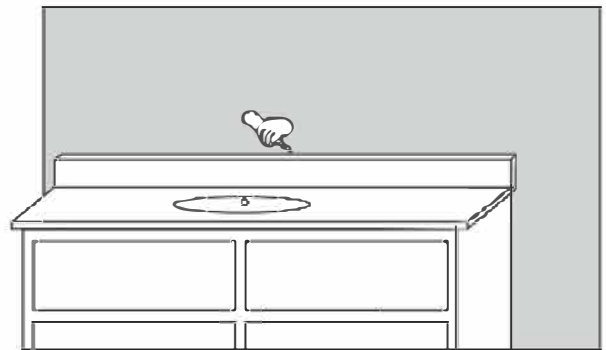


2) With another person, SLOWLY and CAREFULLY set the counter top onto the vanity cabinet. Once placed, press firmly into place. Wipe away any excess sealant using a damp cloth.

IMPORTANT: The counter top is very fragile. Take caution when handling and have someone to assist you.



3) BACK-SPLASH - place a generous amount of silicon sealant on the back of it and press back-splash into place. Fill any gaps that are left with silicone sealant. Wipe any excess sealant with a damp cloth.

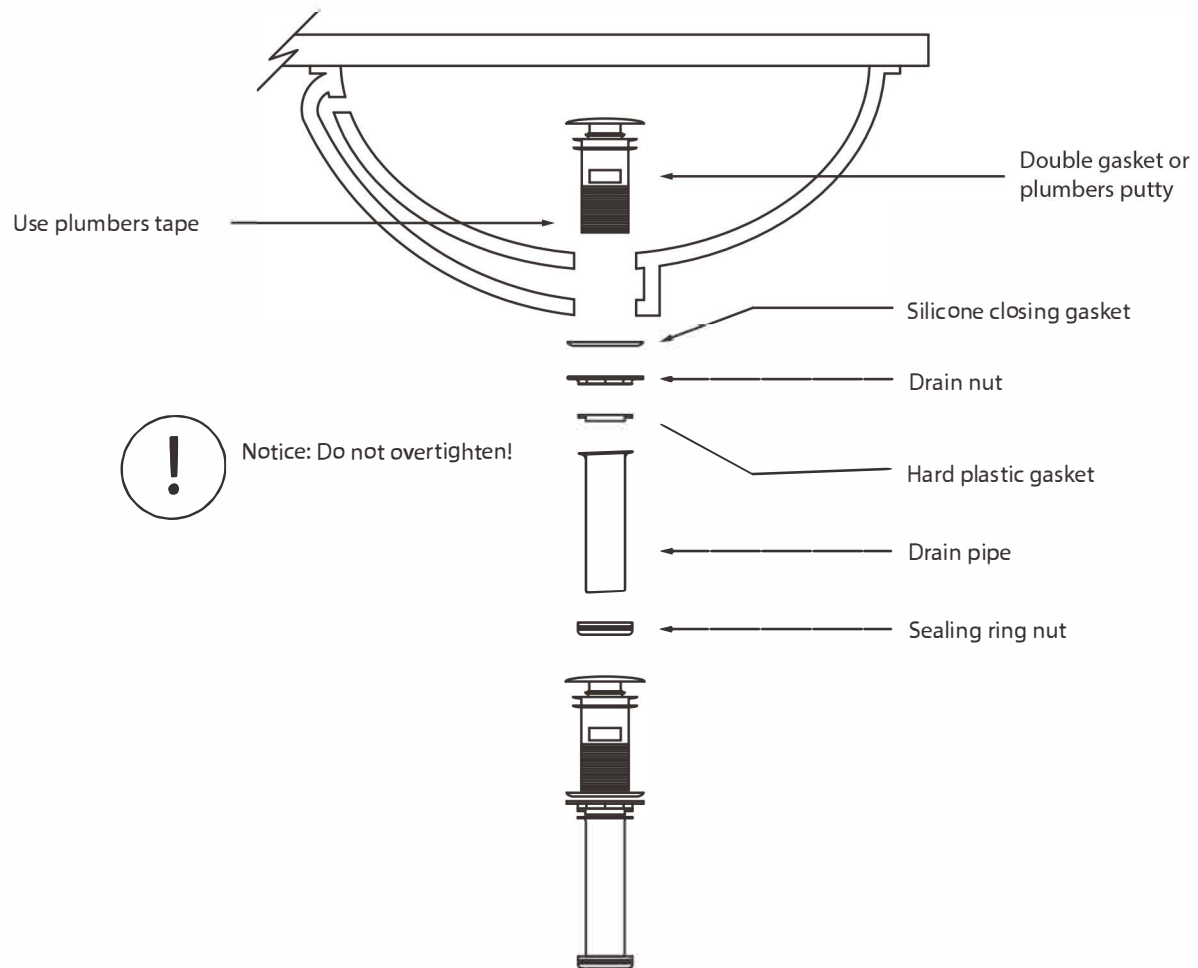


4) Let the assembled vanity sit for 24 hours. Allowing silicone sealant to fully dry. Once dry, proceed to install faucet and drain

IMPORTANT: if not vanity cabinet is not leveled, use wooden shims to adjust.

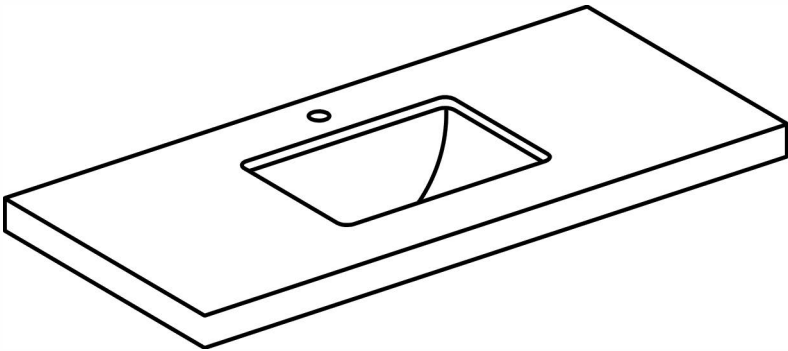


Drain Installation Instructions

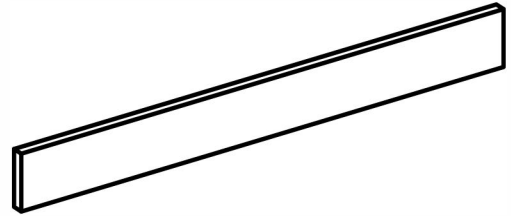


48" SINGLE VANITY-PARTS LIST

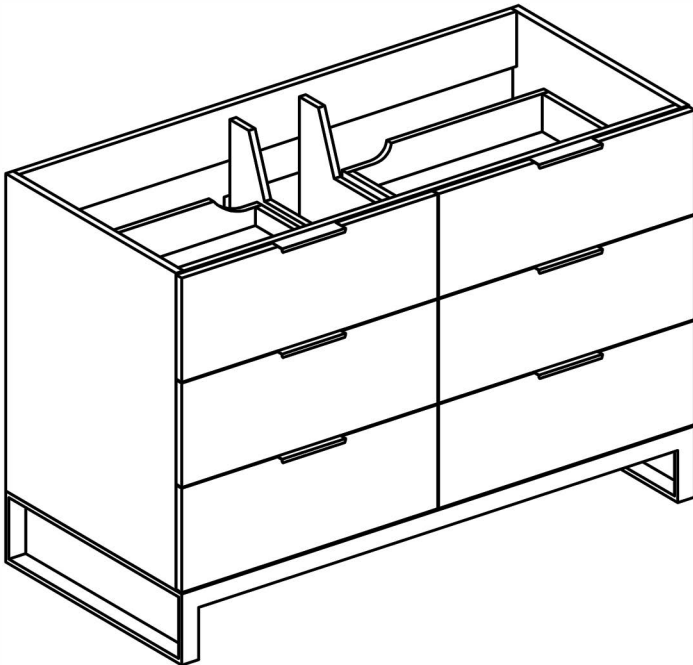
A Quartz Top With Undermount Sink



B Backsplash



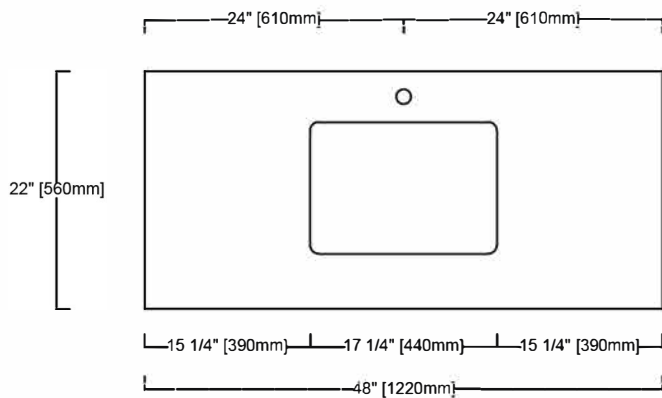
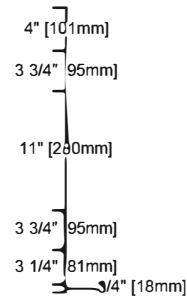
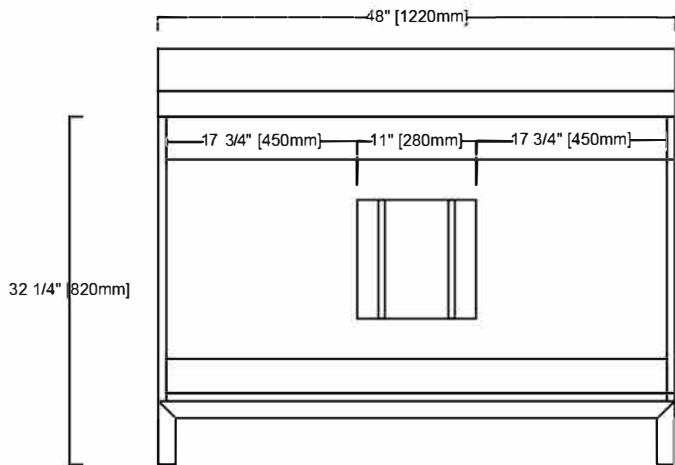
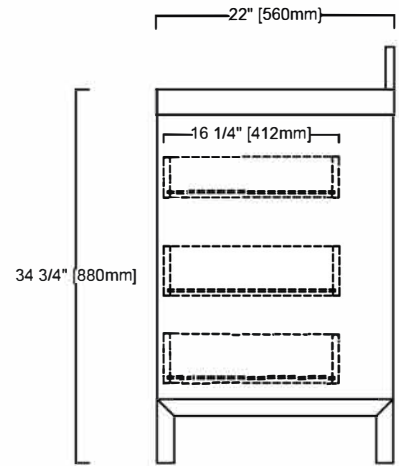
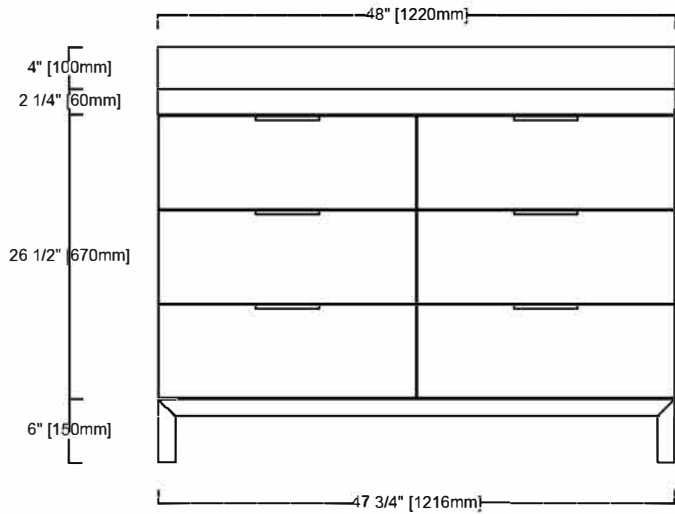
C Vanity Base



D Drain



48" SINGLE VANITY-SPECIFICATION SHEET



CARING FOR YOUR QUARTZ TOP

Keeping your quartz surface looking its best is a breeze, thanks to its high density, non-porous nature, and scratch resistance.

To keep your surfaces looking their best, simply clean them with a damp cloth and a gentle soap or detergent.

Remove daily wear and tear by wiping away smudges, fingerprints, and other signs with a damp cloth and gentle soap. Promptly clean up spills to stop them from becoming permanent stains.

A mix of equal parts vinegar and water is a safe and effective cleaning solution.

Steer clear of abrasive cleaning agents and safeguard your surfaces from chemicals that can result in permanent harm or discolouration. If your surfaces come into contact with damaging substances, rinse them promptly with water to counteract their impact.