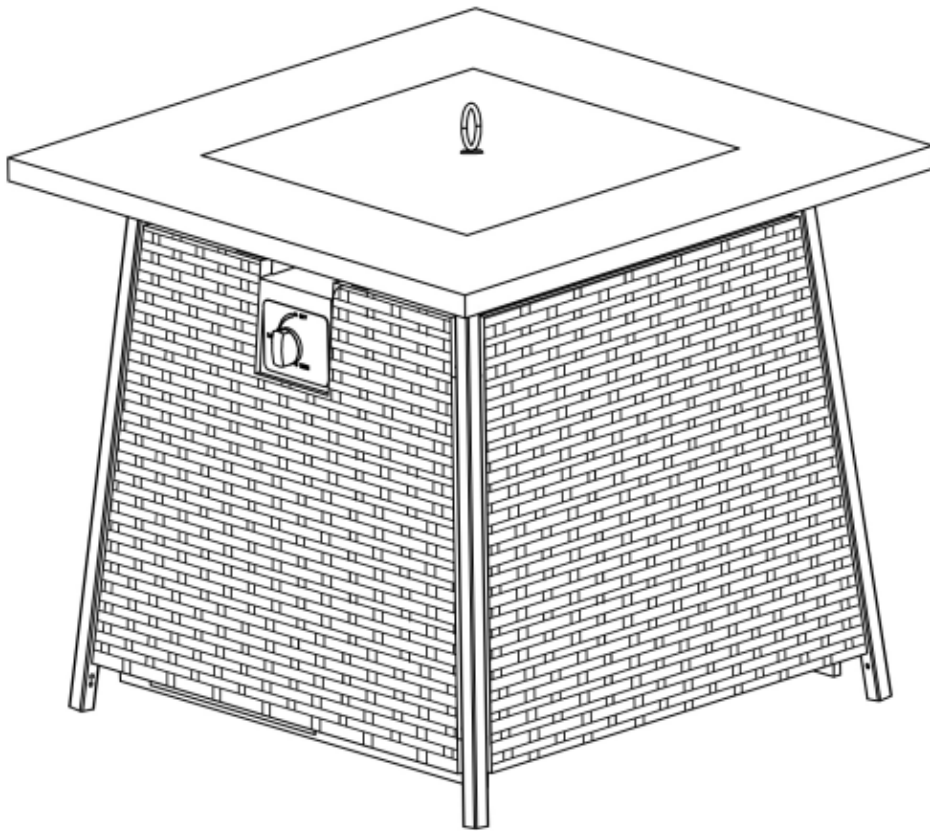


32" GAS FIRE PIT

ASSEMBLY MANUAL



WARNINGS AND CAUTIONS

Read the instructions before use. This appliance must be installed in accordance with such regulations as are enforced.



DANGER

FIRE OR EXPLOSION HAZARD

If you smell gas:

- Shut off gas to the appliance.
- Extinguish any open flame.
- If odor continues, leave the area immediately.
- After leaving the area, call your gas supplier or fire department.

Failure to follow these instructions could result in fire or explosion, which could cause property damage, personal injury, or death.



WARNING: For Outdoor Use Only.

Installation and service must be performed by a qualified installer, service agency, or the gas supplier.



WARNING

Do not store or use gasoline or other flammable vapors and liquids in the vicinity of this or any other appliance.

An LP-cylinder not connected for use shall not be stored in the vicinity of this or any other appliance.

INSTALLER: Leave this manual with the appliance.

CONSUMER: Retain this manual for future reference.



DANGER



CARBON MONOXIDE HAZARD

This appliance can produce carbon monoxide which has no odor.

Using it in an enclosed space can kill you.

Never use this appliance in an enclosed space such as a camper, tent, car or home.



WARNING: If the information in this manual is not followed exactly, a fire or explosion may result causing property damage, personal injury, or loss of life.

WHAT TO DO IF YOU SMELL GAS?

- Do not try to light the appliance.
- Do not touch any electrical switch; do not use any phone in the vicinity of this product.
- Immediately call your gas supplier from a neighbor's phone. Follow the gas supplier's instructions.
- If you cannot reach your gas supplier, call the fire department.

Installation and service must be performed by a qualified installer, service agency or gas supplier.

TABLE OF CONTENTS

• Warnings and Cautions.....	2,4-5
• Table of Contents.....	3
• Exploded View.....	6
• Tools, Parts and Hardware.....	7
• Assembly Instructions.....	8-15
• Installation Instructions	16
• Operation.....	17-19
• Locating Heater For Use.....	20
• Maintenance and Storage.....	21-22
• Trouble Shooting.....	23
• Warranty Information.....	24

REMINDER

BEFORE ASSEMBLY

- Verify that all parts are included with your fire pit BEFORE you begin assembly by checking the Parts and Hardware List. For your convenience, some parts may be pre-assembled or attached to fire pit components.
- If all parts are not included, do not attempt to assemble fire pit. Call the toll free number on the cover page for replacement parts.
- Leave hardware installed HALF-TIGHTENED on the fire pit during assembly until is completed assembled, then finish tightening all hardware installed.

YOUR OWNER'S MANUAL

- Keep and store this Owner's Manual for future reference – it contains important instructions and procedures for safety and maintenance.

WARNINGS AND CAUTIONS

IMPORTANT SAFETY INFORMATION

- The installation must conform with local codes or, in the absence of local codes, with either the Natural Gas and Propane Installation Code, CSA B149.1, or the Propane Storage and Handling Code, CSA B 149.2.
- This appliance requires 20 lb (9 kg) LP gas supply cylinder.
- The burner must be replaced prior to the appliance being put into operation if it is evident that the burner is damaged. The replacement burner shall be that specified by the manufacturer.
- **Installation and repair should be done by a qualified service person. The appliance should be inspected before use and at least annually by a qualified service person. More frequent cleaning may be required as necessary. It is imperative that control compartment, burners, and circulating air passageways of the appliance be kept clean.**
- Always place the appliance on a firm and level surface.
- Do not burn solid fuels in this gas appliance.
- Use the appliance outdoors in a well-ventilated space only, not in a building, garage, or any other enclosed area.
- When using the appliance, keep the appliance area clear and free from combustible materials, gasoline and other flammable liquid and vapors. Certain items or materials, when stored under the appliance or nearby, will be subjected to radiant heat and could be seriously damaged.
- Inspect the gas connections of appliance prior to each use. Do not operate the unit if there is gas leak. A qualified service person should inspect the appliance annually.
- Inspect the hose before each use of the appliance. The hose assembly must be replaced prior to the appliance being put into operation if there is evidence of excessive abrasion or wear or if the hose is damaged. The replacement hose assembly shall be that specified by the manufacturer.
- **Alert children and adults to the hazards of high surface temperatures and keep them away to avoid burns or clothing ignition.**
- **Carefully supervise children and pets when they are near the appliance.**
- **Any guard, barrier, or other protective device removed for servicing the appliance shall be replaced prior to operating the appliance.**
- **Do not hang clothing or other flammable materials on or near the appliance.**
- Do not use the appliance if any part has been under water. Immediately call a qualified service technician to inspect the appliance and to replace any part of the control system and any gas control which has been under water.
- The LP-gas supply cylinder to be used must be: Constructed and marked in accordance with the Specifications for LP-gas cylinders of the U.S. Department of Transportation (DOT); or the Standard for Cylinders, Spheres and Tubes for Transportation of Dangerous Goods and Commission, CAN/CSA-B339, as applicable;
- The LP-gas supply cylinder to be used must be provided with a listed overfilling prevention device; and provided with a cylinder connection device compatible with the connection for the appliance.
- Use only a cylinder supply system arranged for vapor withdrawal, and the cylinder must include a collar to protect the cylinder valve.

WARNINGS AND CAUTIONS

NOTE: PLEASE READ THE FOLLOWING SAFETY RULES:

Perform a leak test with a soapy solution before use it:

1. To check gas connections.
2. After connecting a new cylinder.
3. Upon re-assembly after disassembly.

This appliance is designed to operate with a standard 20 lb propane cylinder with Approved Cylinder Connection.

WARNING:

This product can expose you to chemicals including lead, which is known to the State of California to cause cancer, and carbon monoxide, which is known to the State of California to cause birth defects or other reproductive harm. For more information, go to: www.P65Warnings.ca.gov.

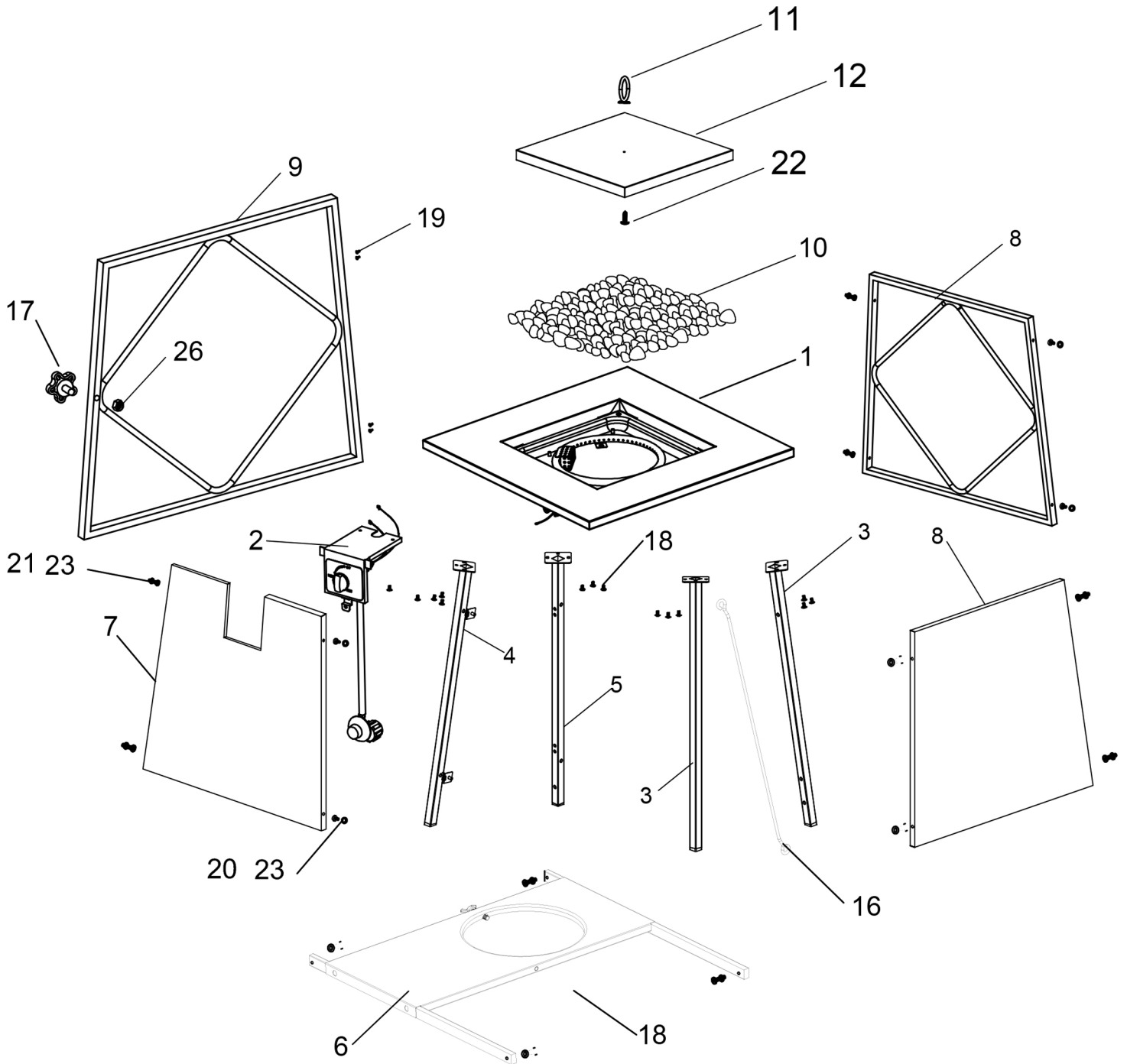
SPECIFICATION

Certification	ETL
Rated Heat Input	50, 000 Btu/h (14.65kW)
Fuel	Propane
Gas Supply	20-lb. LP - gas cylinder
Manifold Pressure	11 in wc (2.74kPa).
Injector Size(diameter)	2.17mm
Min. gas supply for input adj.	5PSI
Max. gas supply	250PSI






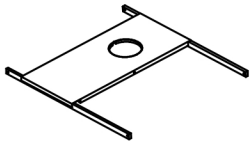
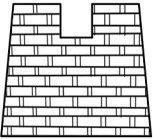
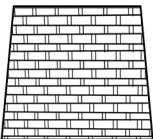
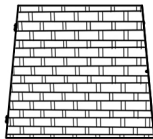




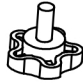
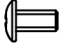








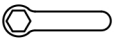
Before beginning assembly of product, make sure all parts are present. If any part is missing or damaged, do not attempt to assemble the product. Contact customer service for replacement parts.

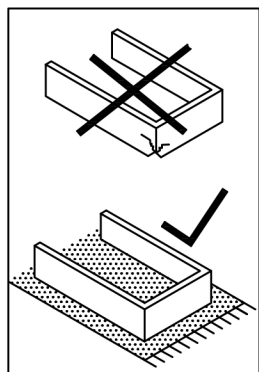
EXPLODED VIEW

Please check the contents of the packaging to ensure all parts are included. If missing parts, please contact customer service.



TOOLS AND PARTS

 ① 1X Table Top	 ② 1X Control Panel	 ③ 2X Leg A
 ④ 1X Leg B	 ⑤ 1X Leg C	 ⑥ 1X Cylinder Holder
 ⑦ 1X Front Panel	 ⑧ 2X Side Panel	 ⑨ 1X Door
 ⑩ 1X Glass Beads	 ⑪ 1X Cover Lid Ring	 ⑫ 1X Cover Lid
 ⑬ 1X Cylinder Block Wire	 ⑭ 1X Door Handle	 ⑮ 15X M5X10 Bolt
 ⑯ 4X M4X10 Flat Bolt	 ⑰ 15X M6X22 Bolt	 ⑱ 1X M6X28 Bolt
 ⑲ 1X M4X8 Bolt	 ⑳ 16X Steel Flat washers	 ㉑ 1X Allen Wrench
 ㉒ 1X Phillips Screwdriver	 ㉓ 1X Nut	 ㉔ 1X Wrench



7

Estimated time for assembly: 30 minutes.

ASSEMBLY INSTRUCTIONS

Choose a good, cleared assembly area and get a friend to help you put your gas fire pit together. Lay cardboard down to protect gas fire pit finish and assembly area.

Step 1.1

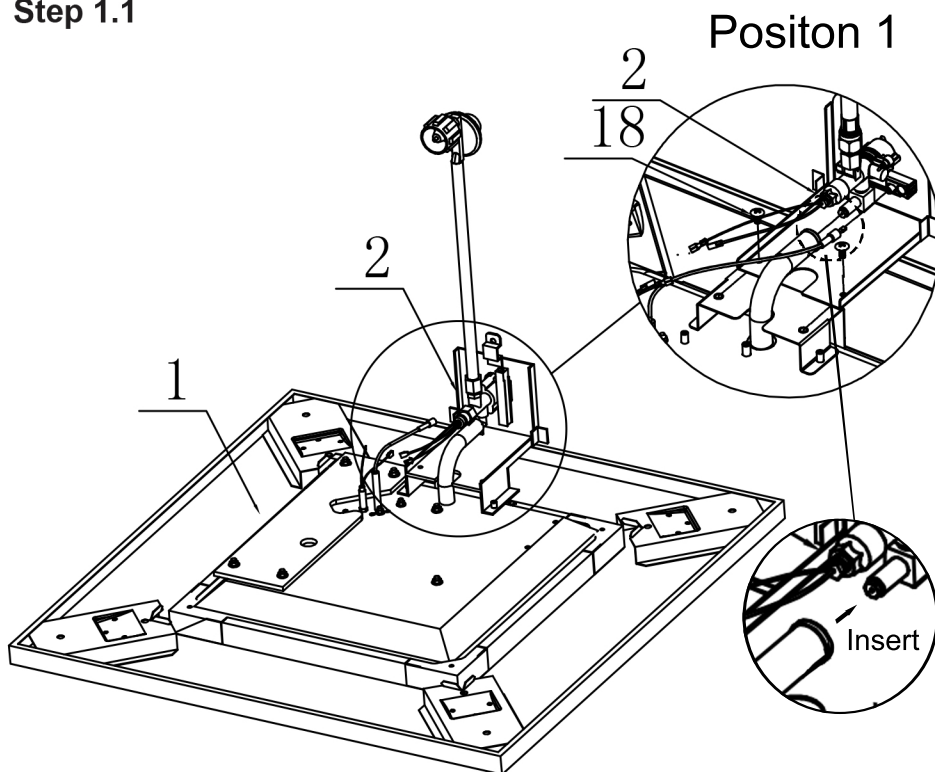
With assistance, place the table top ① upside down on a soft, level surface.

Attach the control panel ② to the table top ① by first inserting the tip of the valve into the end of the injection pipe as illustrated.

Then install (2) M5x10 bolts ⑱ to secure the control panel ② to the table top ①.

Be certain the valve is properly connected to the injection pipe of burner, tighten two bolts as

Step 1.1

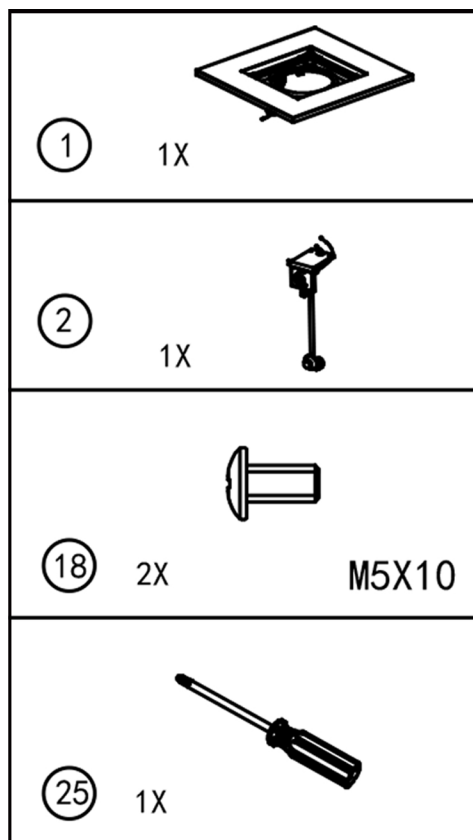
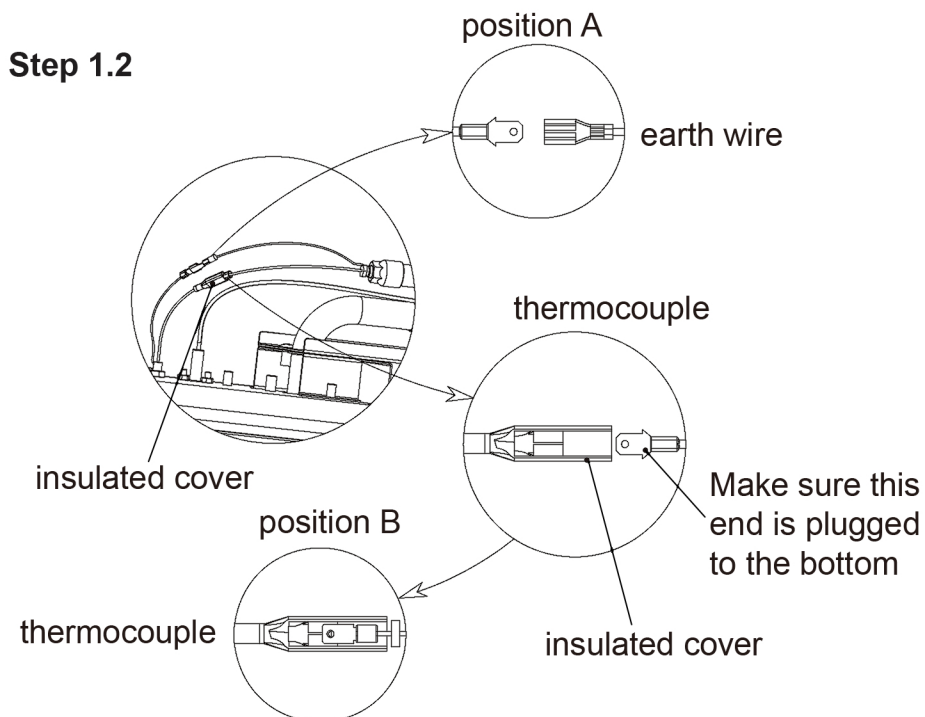


Step 1.2

Connect the earth wire as position A.

Connect the thermocouple

Step 1.2

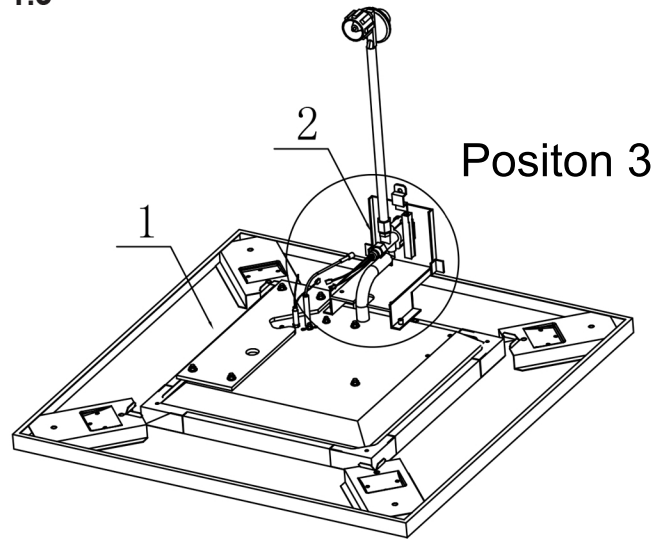


ASSEMBLY INSTRUCTIONS

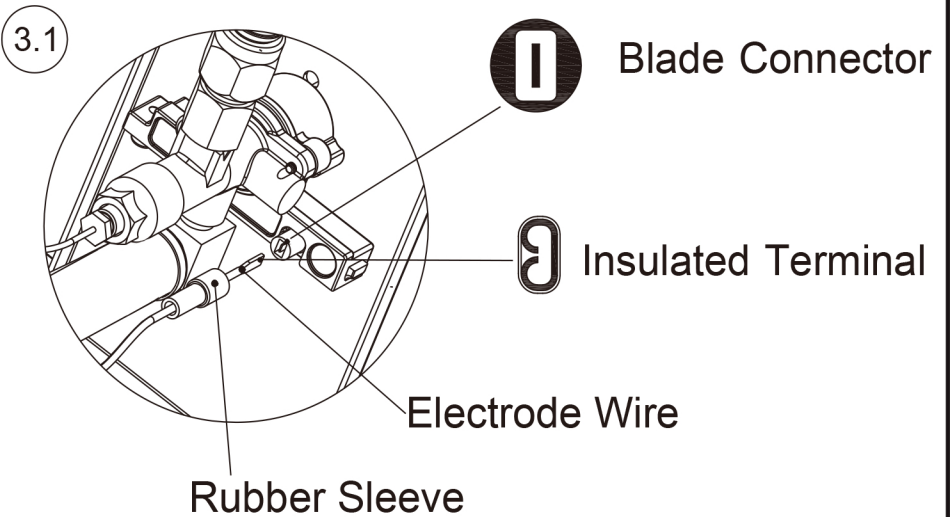
Step 1.3

Finally, connect the electrode as position 3.

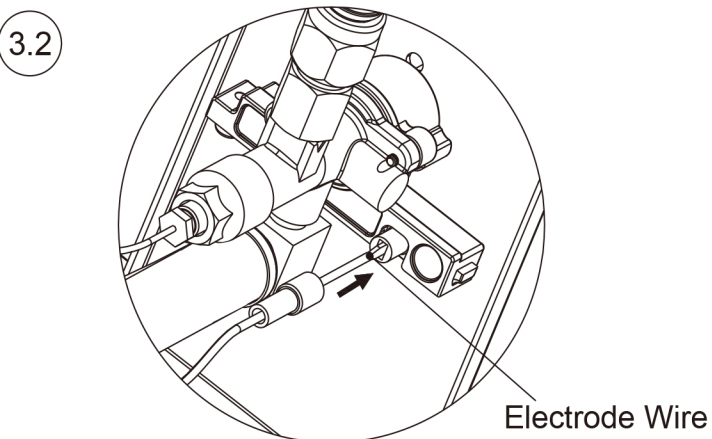
Step 1.3



Comfirm the rubber sleeve is placed on the electrode wire first as 3.1.



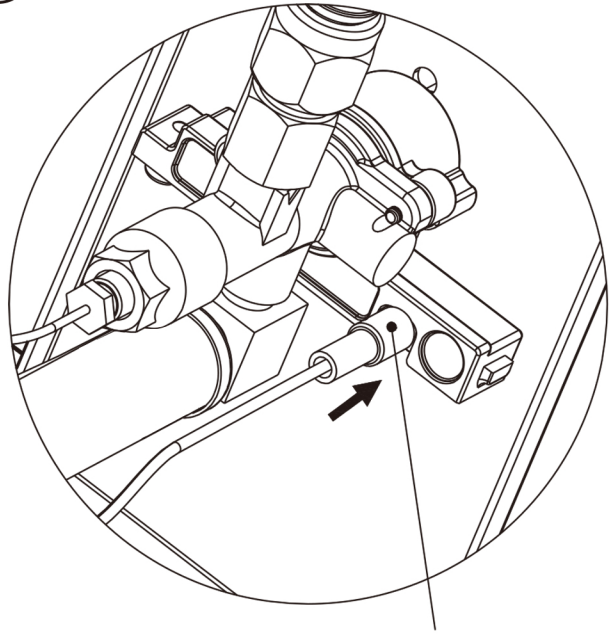
Then connect the electrode wire to the valve by forceully inserting the electrode wire terminal into the valve terminal connector as 3.2.



ASSEMBLY INSTRUCTIONS

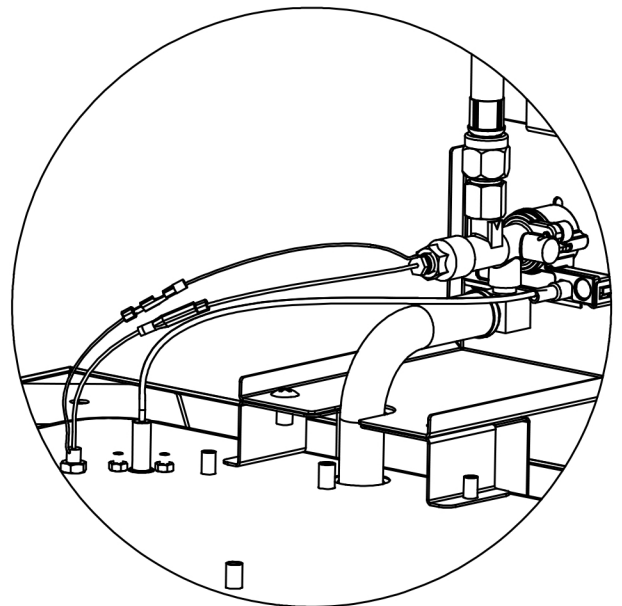
Finally, connect the rubber sleeve to the valve as 3.3, then finished as 3.4.

3.3



Rubber Sleeve

3.4








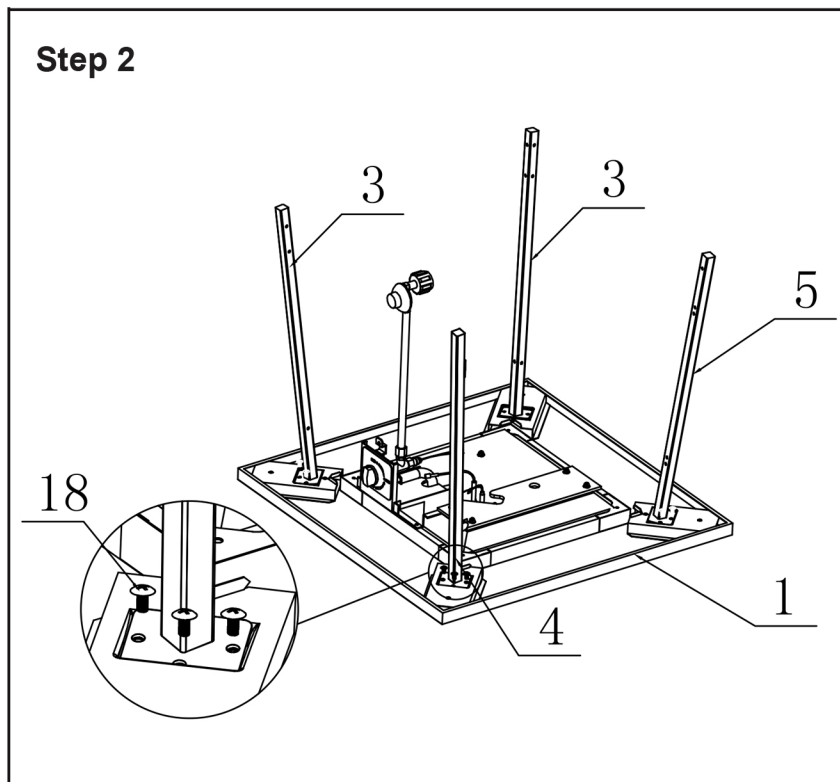
Finished

ASSEMBLY INSTRUCTIONS

Step 2

Attach leg B ④ to the table top with (3) M5 x 10 bolt ⑱, attach (2) leg A ③ to the table top with (6) M5 x 10 bolts ⑱, attach leg C ⑤ with (3) M5 x 10 bolts ⑱ as illustrated.




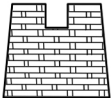


③ 2X		⑱ 12X M5X10	
④ 1X		⑲ 1X	
⑤ 1X			

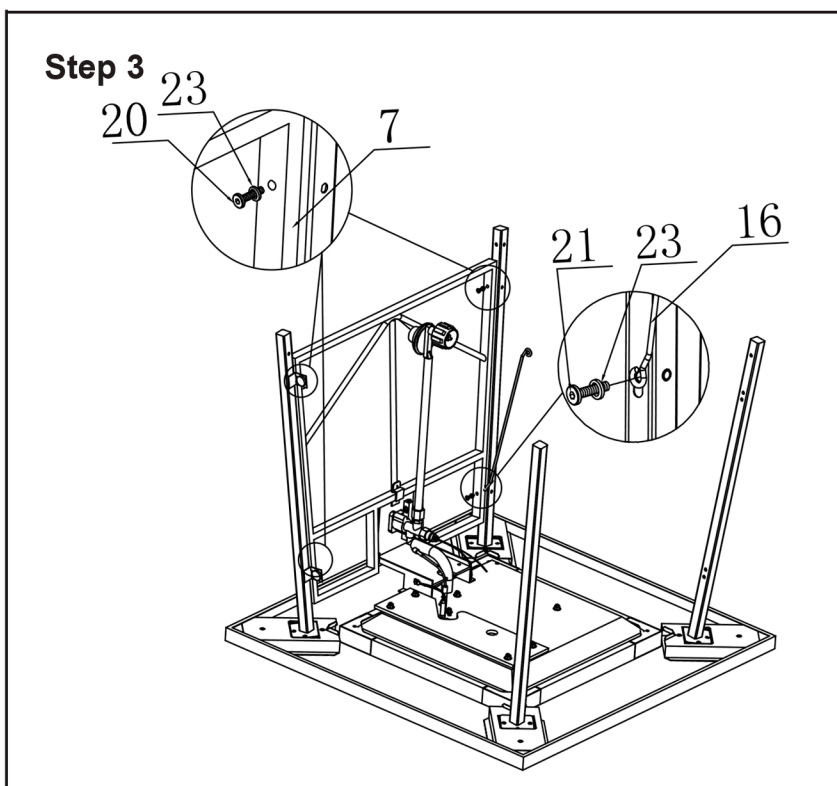


Step 3

Attach the front panel ⑦ to the leg A ③ with (3) steel flat washers ⑳ and (3) M6 x 22 bolts ㉑ as illustrated.

Note: Remember to attach cylinder block wire ⑯ on front panel ⑦ when tighten the lower end of leg A ③ with steel flat washer ㉓ and M6x28 bolt ㉒ as illustrated.

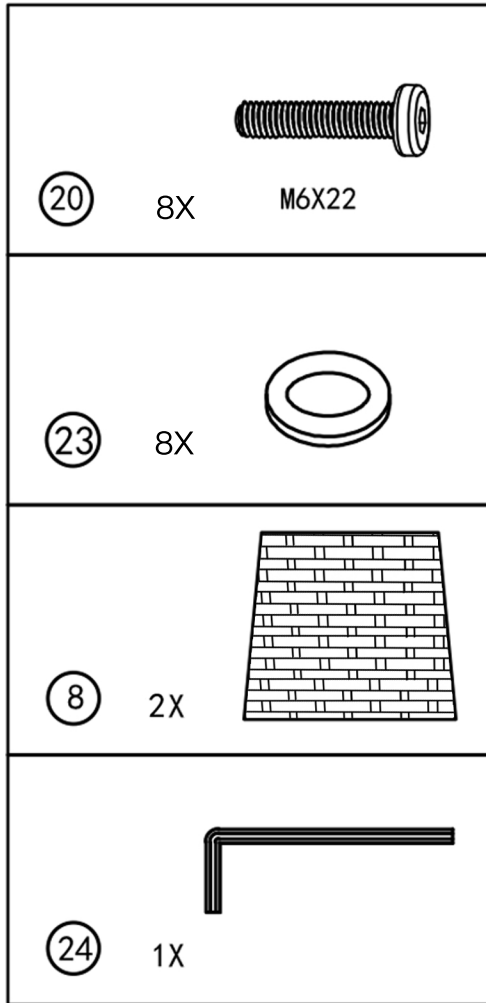
㉑ 3X M6X22		⑯ 1X	
㉒ 1X M6X28		⑦ 1X	
㉓ 4X		⑳ 1X	



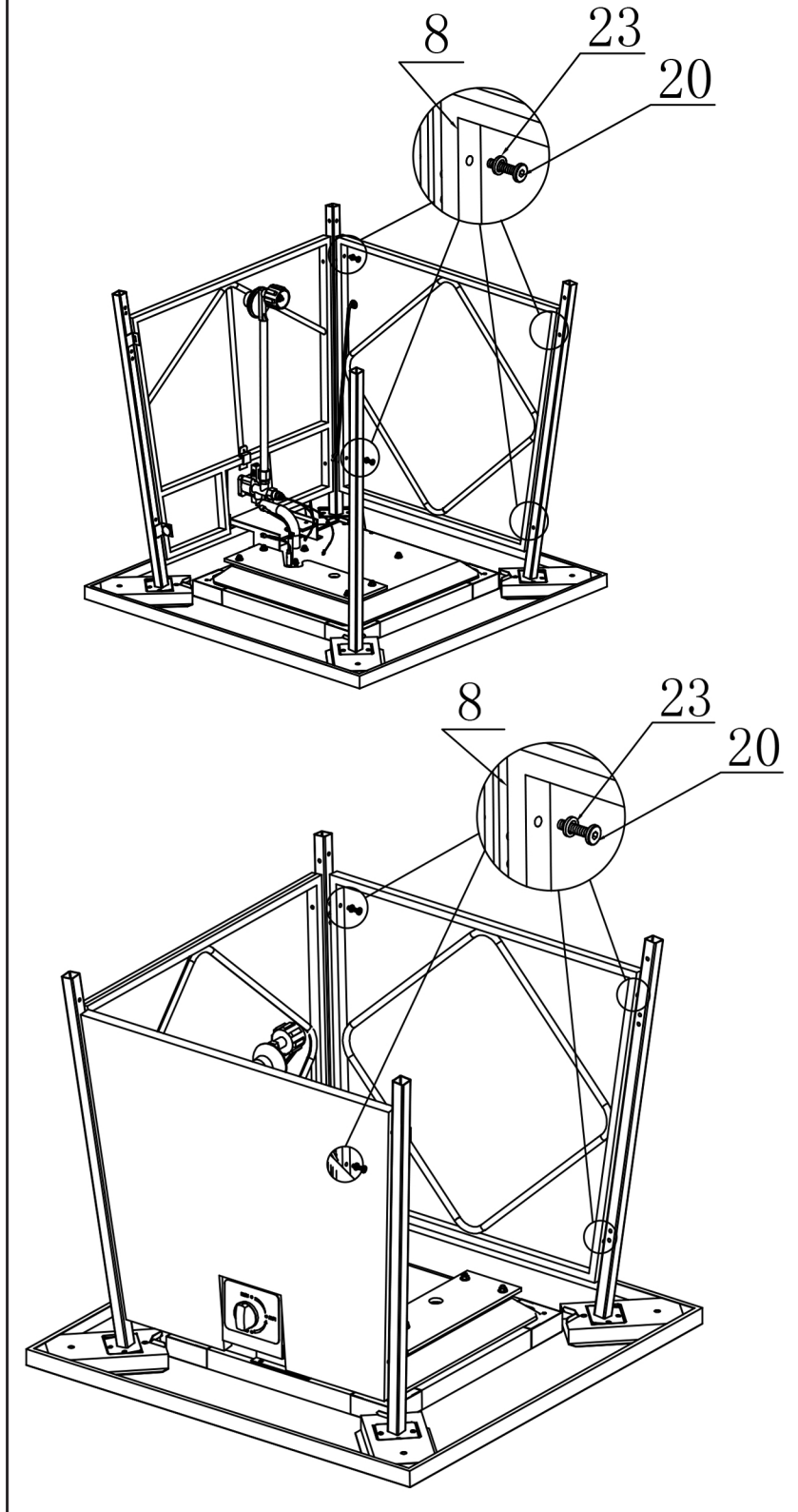
ASSEMBLY INSTRUCTIONS

Step 4

Attach (2) side panels ⑧ to legs with (8) steel flat washers ②③ and (8) M6 x 22 bolts ②① as illustrated.



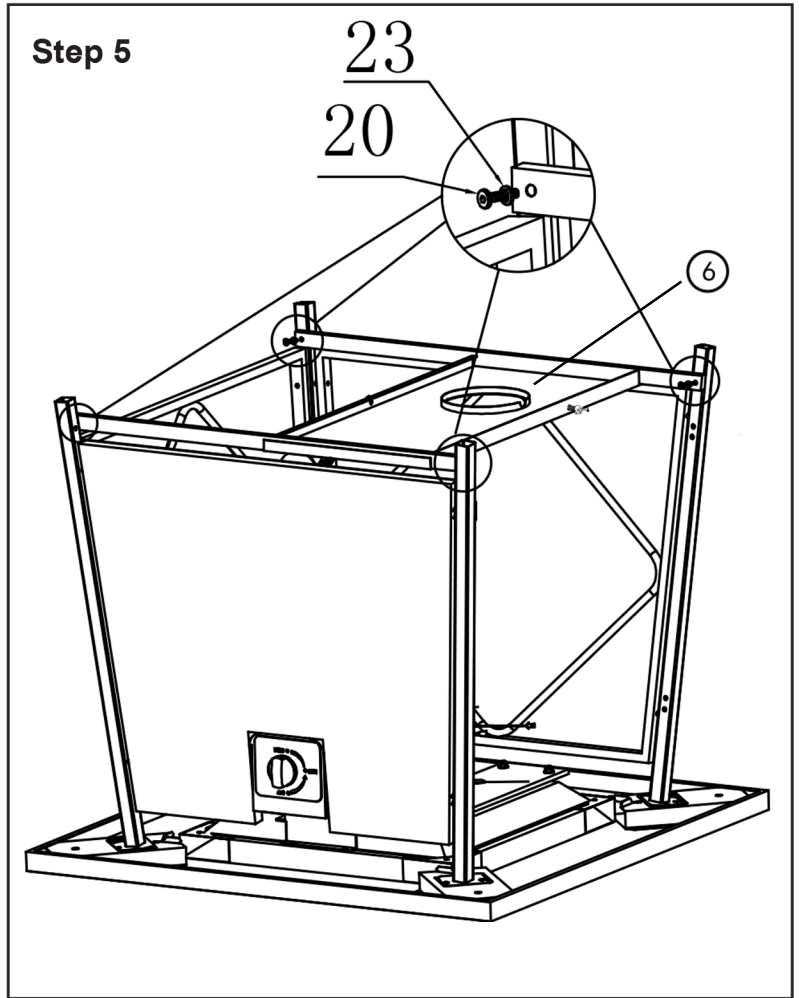
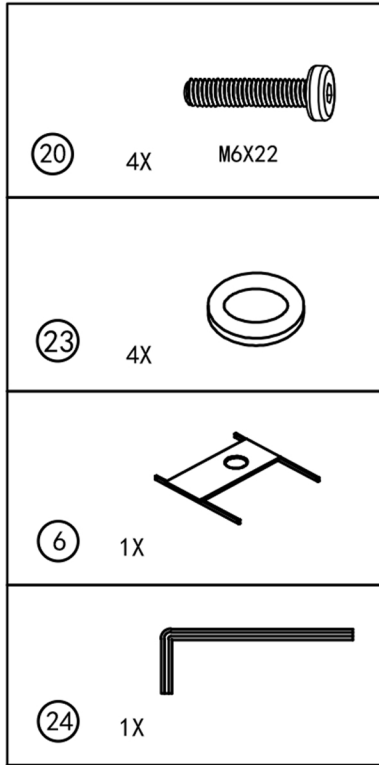
Step 4



ASSEMBLY INSTRUCTIONS

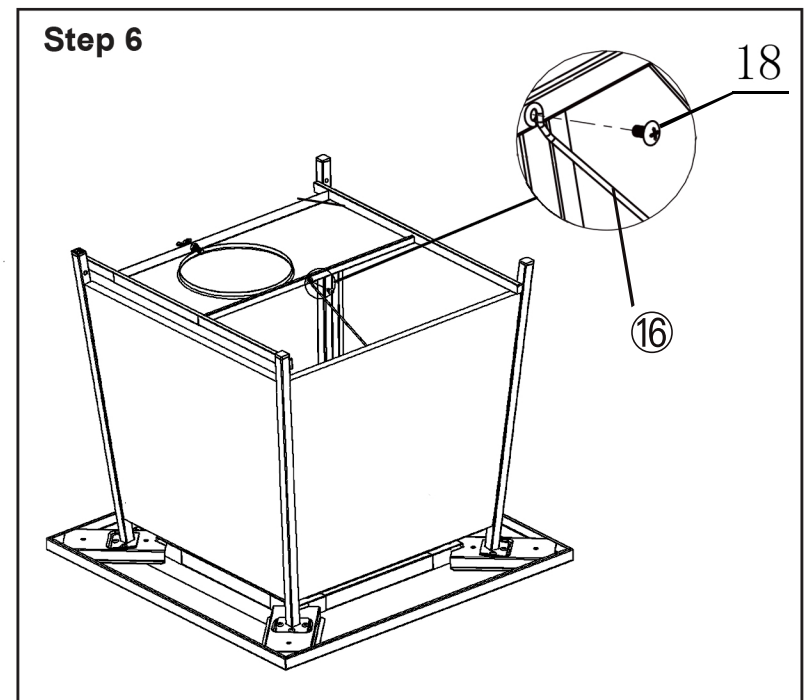
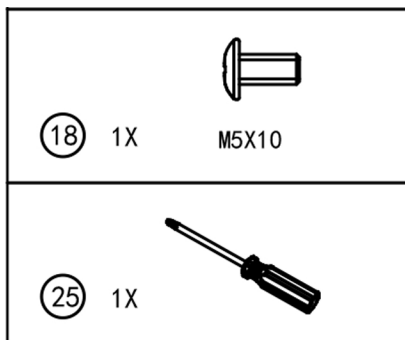
Step 5

Attach cylinder holder ⑥ to 4 legs with (4) steel flat washers ②③ and (4) M6 x 22 bolts ②① as illustrated.



Step 6

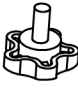
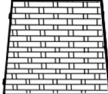



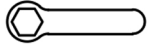
Attach cylinder block wire ①⑥ to cylinder holder ⑥ and through the front panel ⑦ to the leg A ③ with (1) M5 x 10 bolt ①⑧ as illustrated.



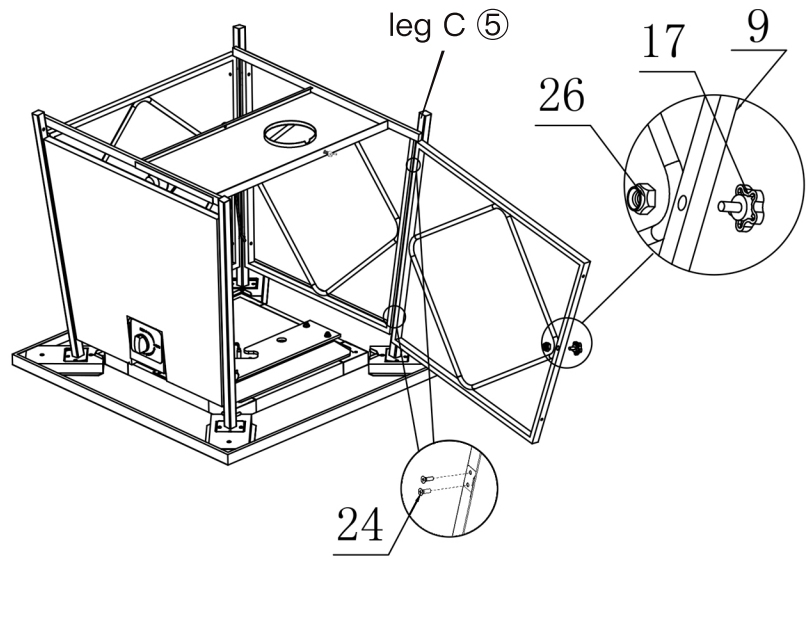
ASSEMBLY INSTRUCTIONS

Step 7

Use wrench 27) to scrow nut 26) with door handle 17) to the door 9), then attach the door 9) to the leg C 5) with (4) M4 x 10 flat bolts 24) as illustrated.





 17 1X	 9 1X
 26 1X	 25 1X
 24 4X M4X10	 27 1X

Step 7

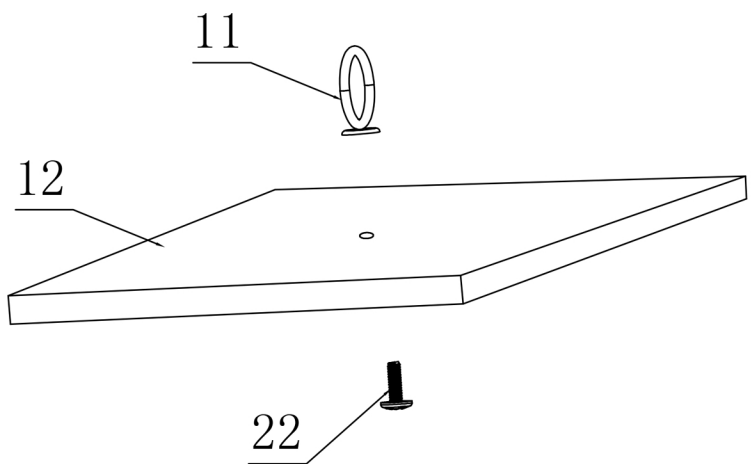


Step 8

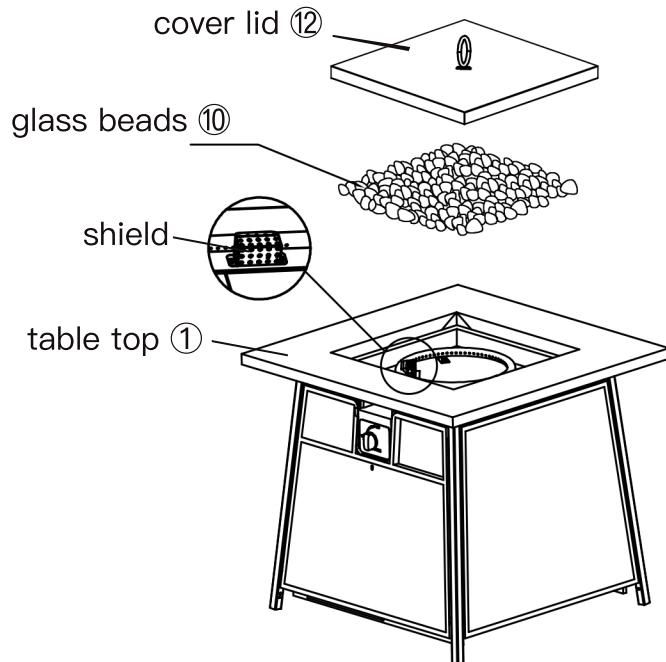
Use (1) M4X8 bolt 22) to screw the cover lid ring 11) to the cover lid 12).

 22 1X M4X8
 11 1X
 12 1X
 25 1X

Step 8



Step 9

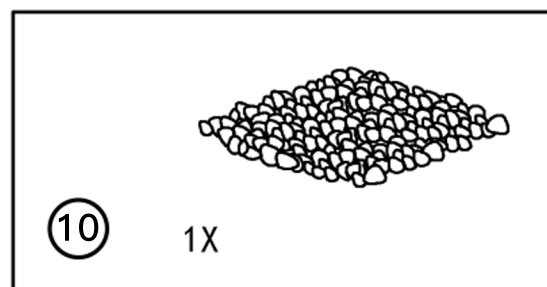


Step 9

Put the glass beads (10) on the burning area of the table top (1).

Note:

To avoid ignition failure, do not cover the shield with glass beads. Then place the cover lid (12) onto the table top (1) when not in use.



WARNING:

Failure to position the parts in accordance with these diagrams or failure to use only parts specifically approved with this appliance may result in property damage or personal injury.

INSTALLATION INSTRUCTIONS

INSTALLATION

Two or more people are recommended for easier installation.

LACATION

Your fire pit must be installed on a flat, stable surface, away from any combustible material or construction.

SET-UP

1. Place fire pit on any level, outdoor, non-combustible surface.

NOTE: Do not place the appliance on grass or dirt. This may prevent proper safety venting.

2. Pour the glass beads (max12lb) onto the fire pit.
3. Open the door panel (9) and place cylinder in the holder assembly. **Make sure the valve outlet of cylinder is facing outward.** (Fig. 8)
4. Turn the cylinder locking bolt clockwise to secure the gas cylinder. (Fig. 9)
5. Attach regulator to cylinder and turn clockwise by hand. (Fig.10)
6. Check your fire pit for leaks before use. (Fig.11)

CHECK FOR LEAKS

Your gas fire pit has been checked at all connections at the factory for leakage.

In transportation and handling some connections may have loosened. Follow these steps to check the hose/ regulator/ cylinder connections:

- 1) Make leakage solution by mixing 1 part liquid dish soap and 3 parts water.
- 2) Spoon or brush several drops (or use squirt bottle) of the solution onto hose/regulator/cylinder connection.
- 3) Turn on gas cylinder. Inspect the connections and look for bubbles.
- 4) If no bubbles appear, the connection is safe.
- 5) If bubbles appear, there is leakage. Turn off the gas tank valve. Loosen and re-tighten the connection. If there is still a leak, please e-mail to our customer service: domiservice01@outlook.com.

Note:

- 1) The cylinder supply system must be arranged for vapor withdrawal.
- 2) The cylinder used must include a collar to protect the cylinder valve.

The hose assembly must be replaced prior to the appliance being put into operation if there is evidence of excessive abrasion or wear, or if the hose is damaged.

At least once a year, a complete inspection of the entire gas path components should be performed.

If there is need to replace parts, proceed to leak test after reassembly (These procedures should be performed by a professional technician).

Fig. 8

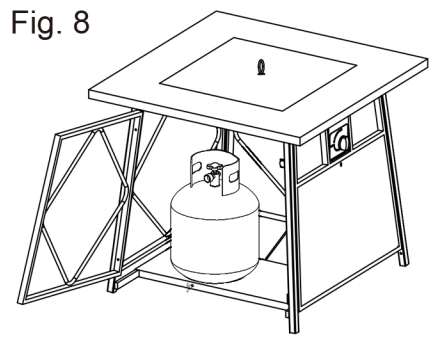


Fig. 9

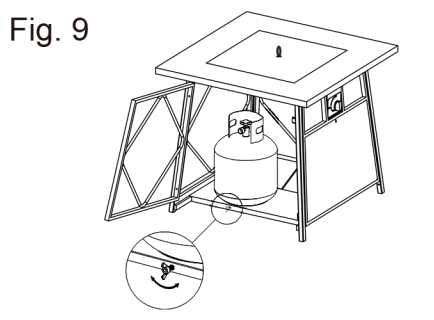


Fig. 10

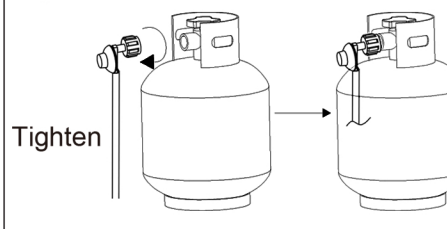
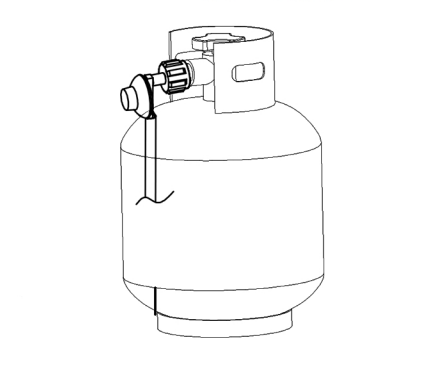


Fig. 11

regulator & cylinder connection



OPERATION

WARNING: DO NOT ATTEMPT TO OPERATE THE APPLIANCE UNTIL YOU HAVE READ AND UNDERSTAND ALL PRECAUTIONS. FAILURE TO DO SO CAN RESULT IN PROPERTY DAMAGE, SERIOUS INJURY, OR DEATH.

WARNING!!!

- Do not use an open flame to check for leakage.
- Do not smoke during testing.
- Do not test indoors.
- A leak check must be performed whenever the gas cylinder is replaced.

NOTE:

Use only the pressure regulator supplied with this fire pit.
Replace them with those specified by the manufacturer only.

Before turning gas supply ON

Your fire pit was designed and approved for **OUTDOOR USE ONLY**. **DO NOT** use it inside a building or any other enclosed area.

Make sure surrounding areas are free of combustible materials, gasoline, and other flammable vapors or liquids.

Ensure that there is no obstruction to air ventilation.

Be sure all gas connections are tight and there are no leaks.

Be sure the access panel is clear of debris.

Be sure any component removed during assembly or servicing is replaced and fastened prior to starting.

WARNING

FOR YOUR SAFETY:

If at any time you are unable to light burner and smell gas, wait 5 minutes to allow gas to dissipate before attempting to light gas appliance. If after 1 minute, you are unable to light burner, wait 5 minutes and allow flammable vapors to dissipate before attempting to light gas appliance.

WARNING

FOR YOUR SAFETY:

DO NOT touch or move gas appliance for at least 45 minutes after use.

WARNING

Lighting operations should comply with Lighting Instruction section. Improper lighting operations will cause serious injury and explosion.

OPERATION

WARNING: DO NOT ATTEMPT TO OPERATE THE APPLIANCE UNTIL YOU HAVE READ AND UNDERSTAND ALL PRECAUTIONS. FAILURE TO DO SO CAN RESULT IN PROPERTY DAMAGE, SERIOUS INJURY, OR DEATH.

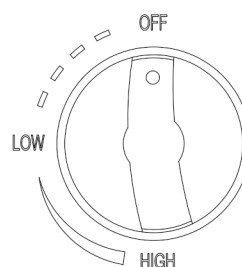
Before Lighting

The gas fire pit should be thoroughly inspected before each use, and by a qualified service person at least annually.

If relighting a hot gas fire pit, always wait at least 5 minutes.

Lighting Instructions

1. Make sure control knob is in the "OFF" position.
2. Turn LP cylinder gas valve to fully open position.
3. Press down control knob and turn it counter clockwise to "LOW" position, this will light the burner. (You will hear 1 clicking noise.)
4. If the burner is not lit immediately (within 5 seconds), press down the control knob and turn clockwise to "OFF" position, repeat from step 3 after 5 minutes.
5. When burner is lit, turn the control knob to desired heat output position between "LOW" and "HIGH".
6. Press down and turn the control knob clockwise to "OFF" position to shut down the appliance. Turn off cylinder gas valve.

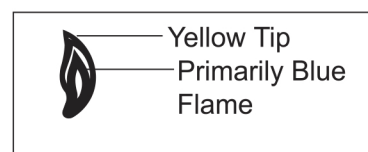


Flame Characteristic

Normally the burner flame is yellow.

If the burner flame is blue and very small, please check the gas cylinder, as it may be low gas pressure or empty.

If flames lift away from burner or backfire happens, or produce thick black smoke, the fire pit should be turned off immediately. The fire pit should not be operated again until the unit is serviced and/or repaired by a qualified service technician.



OPERATION

CAUTION: AVOID INHALING FUMES EMITTED FROM THE GAS APPLIANCE'S FIRST USE. SMOKE AND ODOR FROM THE BURNING OF OILS USED IN MANUFACTURING WILL APPEAR. BOTH SMOKE AND ODOR WILL DISSIPATE AFTER APPROXIMATELY 30 MINUTES. THE GAS APPLIANCE SHOULD NOT PRODUCE THICK BLACK SMOKE.

NOTE:

The burner may be noisy when initially turned on. To eliminate excessive noise from the burner, turn the control knob to the "LOW" position. Then, turn the knob to the level of heat desired.

Operation pressure checked:

If the flame is very small, this is because the supply pressure is not enough. Please refill gas cylinder.

Re-light:

- 1) Turn the control knob to "OFF" position.
- 2) Wait five (5) minutes before attempting to relight appliance.
- 3) Repeat steps beginning with step 3 of the lighting instruction.

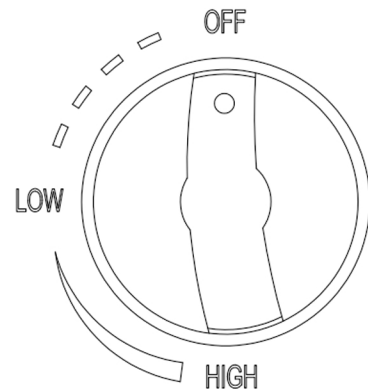
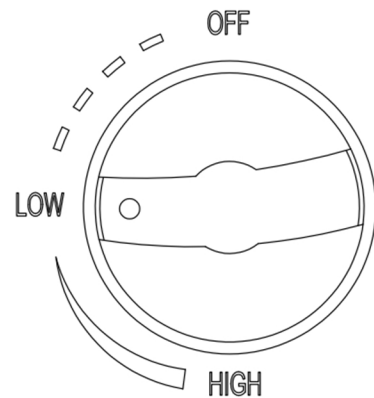
Shut down instructions:

- 1) Push in and turn control knob clockwise to "OFF" position.
- 2) Turn LP cylinder gas valve clockwise to "OFF" position when appliance is not in use.

The Event of Gas Leakage:

- 1) Turn the control knob to "OFF" position.
- 2) Turn LP cylinder valve to "OFF" position.
- 3) Wait 5 minutes to allow gas to dissipate.
- 4) If odor continues, immediately call gas supplier.

WARNING : Gas appliance will be hot after use.
Handle with extreme care.



LOCATING HEATER FOR USE

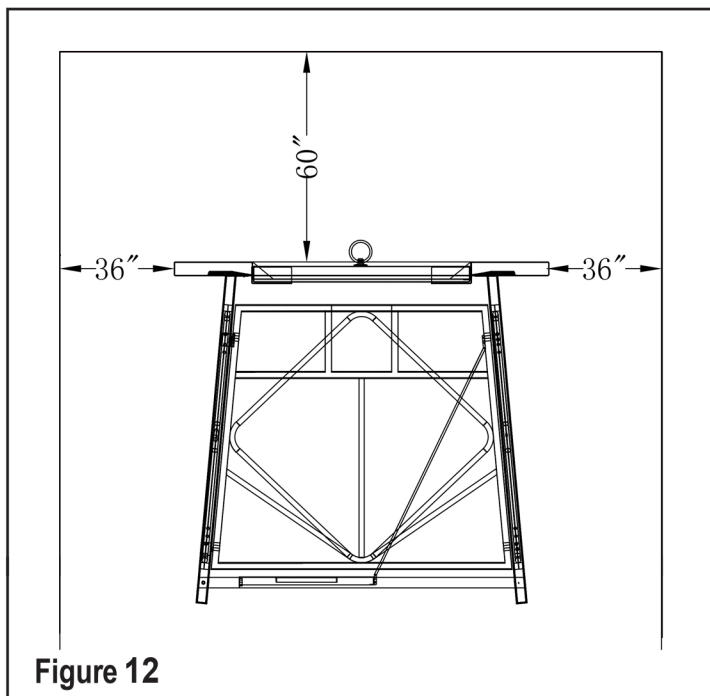
CAUTION: WHEN CERTAIN MATERIALS OR ITEMS ARE LEFT ABOVE, BESIDE OR UNDER THIS HEATER WHILE IN USE, THEY WILL BE SUBJECT TO RADIANT HEAT AND COULD BE SERIOUSLY DAMAGED.

This gas fire pit is primarily used for the heating of outdoor patios, decks, spas, pools and open working areas.

Always make sure that adequate fresh air ventilation is provided. Follow the spacing tolerances shown in Figure 12 at all times.

This gas fire pit must be placed on level, firm ground.

Never operate in an explosive atmosphere. Keep away from areas where gasoline or other flammable liquids or vapors are stored or used.



MAINTENANCE AND STORAGE

CLEANING AND MAINTENANCE :

To enjoy years of outstanding performance from your gas fire pit, make sure you perform the following maintenance activities on a regular basis:

- Keep exterior surfaces clean.
- Use warm soapy water for cleaning. Never use flammable or corrosive cleaning agents.
- While washing your unit, be sure to keep the area around the burner dry at all times. If the gas control is exposed to water in any way, do NOT try to use it. It must be replaced.
- Keep the appliance area free and clean from combustible materials, gasoline and other flammable vapors and liquids; not obstructing the flow of combustion and ventilation air; keeping the ventilation opening(s) of the cylinder enclosure free and clear from debris.
- Check if there are cracks or worn sections on the hose. If yes, please call our customer service to replace hose.
- **At least once a year, the unit should be inspected** for the presence of spiders, spider webs or other insects.
- Air flow must be unobstructed. Keep controls, burner, and circulating air passageways clean. Signs of possible blockage include:
 - Gas fire pit does NOT reach the desired temperature.
 - Gas fire pit glow is excessively uneven.
 - Gas fire pit makes popping noises.
- Spiders and insects can nest in burner or orifices. This dangerous condition can damage gas fire pit and render it unsafe for use. Clean burner holes by using a heavy-duty pipe cleaner. Compressed air may help clear away smaller particles.

WARNING:
FOR YOUR SAFETY ;
DO NOT touch or move gas appliance for at least 45 minutes after use. Allow all burner elements to cool before touching.

NOTE:
In a salt-air environment such as near an ocean, corrosion occurs more quickly than normal. Frequently check for corroded areas and repair them promptly.

NOTE:
Wait until gas appliance is cool before covering.

MAINTENANCE AND STORAGE

- Store the fire pit indoors during the winter if it will be subjected to freezing temperatures.
- Disconnect and remove the cylinder from the appliance before the appliance can be stored indoors.

NOTE:

Wait until the appliance is cool before covering.

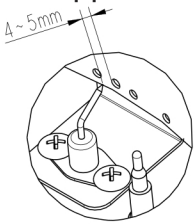
STORAGE

- Turn the control knob to "OFF" position.
- Turn LP cylinder to OFF position.
- Allow at least 45 minutes for the fire pit to cool down after use, and then turn regulator counterclockwise to disconnect the regulator from cylinder, turn the cylinder locking bolt counterclockwise to loose the cylinder and remove the cylinder.
- Cylinder must be stored outdoors in a well-ventilated area out of the reach of children. When the cylinder is disconnected, tightly install the threaded valve plugs, and do not store it in a building, garage or any other closed area.
- You may store product indoors ONLY if the cylinder is disconnected and removed.
- Keep the fire pit area clear and free from combustible materials, gasoline and other flammable vapors and liquids.

Note: If you do not use a cover, store this outdoor fire pit in a dry location to maximize product life.

- Store gas fire pit in an area sheltered from direct contact with inclement weather (such as rain, sleet, hail, snow, dust and debris).
- A qualified service person should install and repair the fire pit and inspect it annually.
- **It might be necessary to clean this fire pit frequently. You must keep the control compartment, burner and circulating air passageways clean.**

TROUBLE SHOOTING

PROBLEM OBSERVED	POSSIBLE CAUSE	CORRECTIVE MEASURES
Gas odor	Gas leak.	Check all gas connections.
Delayed ignition	Low gas pressure. Clogged or dirty burner ports.	Check gas supply pressure. Clean burner parts--see manual. " Cleaning and maintenance " section.
Incorrect burner flame	Incorrect gas supply or pressure. Clogged or dirty burner ports.	Check gas supply pressure. Clean burner parts.
Ignition failure	Gas cylinder.	Check the cylinder with gas or not.
	Leakage.	Check the regulator & hose for leaks (please see the leakage test on P16).
	Ignition pin problem.	When push the control knob down, check the ignition pin sparks or not. If not, light the burner with a match or lighter. For your safety, avoid lighting the burners directly by hand from close quarters.
	The distance between ignition pin & burner hole is too far.	Adjust the distance between the ignition pin & burner hole to be 3-5mm if ignition failure happened. 
	The protection shield is covered with glass beads.	Keep the shield exposed and not covered by anything. (Please see on P15)

WARRANTY INFORMATION

The appliance has been manufactured under the highest standards of quality and workmanship. We warrant to the original consumer purchaser that all aspects of this product will be free of defects in material and workmanship for one year from the date of purchase. A replacement for any defective part will be supplied free of charge for installation by the consumer. Defects or damage caused by the use of other than genuine parts are not covered by this warranty. This warranty shall be effective from the date of purchase as shown in the purchaser's receipt.

This warranty is valid for the original consumer purchaser only and excludes industrial, commercial or business use of the product, product damage due to failure which results from alteration, product abuse, or product misuse, whether performed by a contractor, service company, or consumer. We will not be responsible for labor charges and/or damage incurred in installation, repair or replacement, nor for incidental or consequential damage.