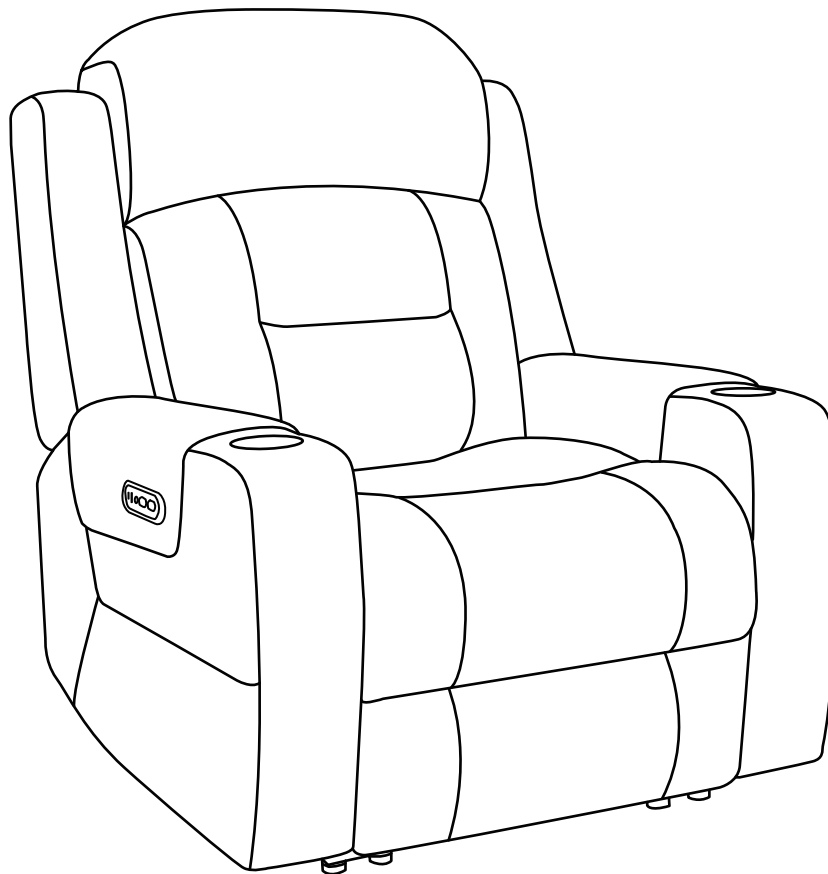


# ME7A5022

## Assembly Manual

### Layflat Power Recliner with Power Headrest

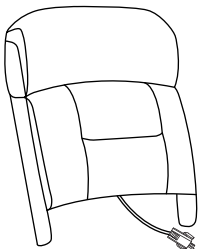
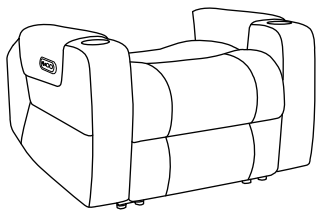


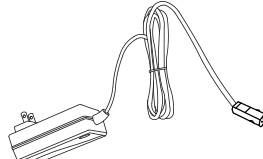


#### CAUTION

THIS ASSEMBLY MANUAL CONTAINS IMPORTANT SAFETY INFORMATION.

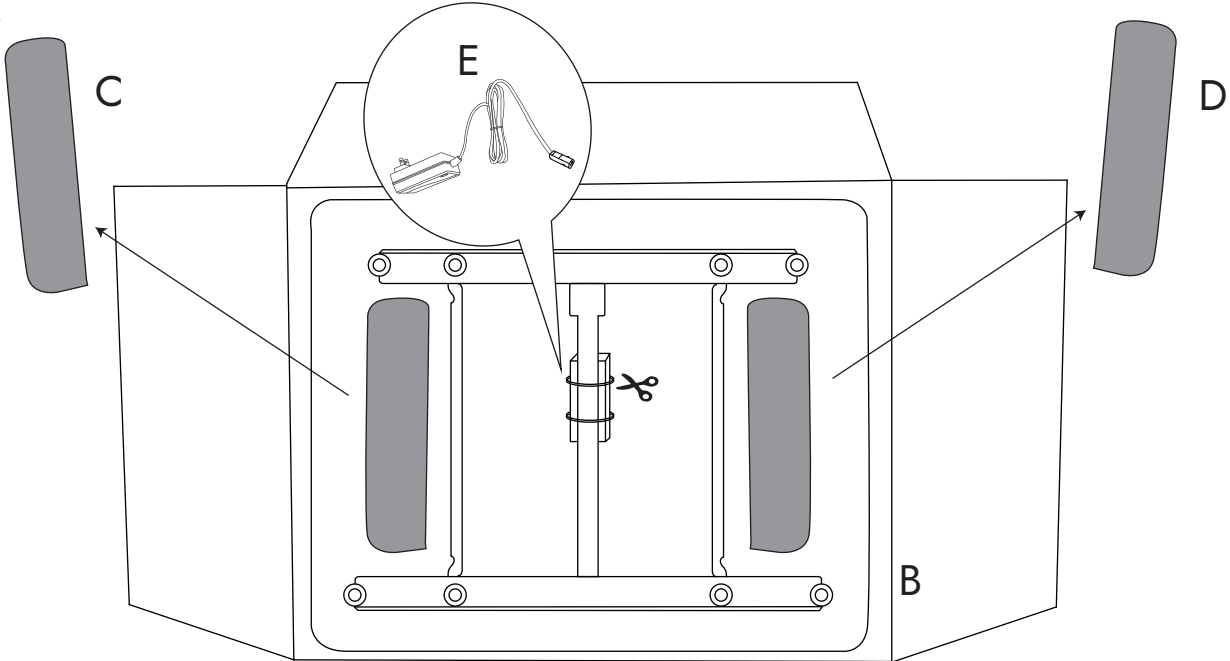
PLEASE READ AND KEEP FOR FUTURE REFERENCE.

**Count parts before assembling.**

<b>A</b>  Backrest	<b>B</b>  Seat	<b>C</b>  Left Wing
<b>D</b>  Right Wing	<b>E</b>  Power Cord	

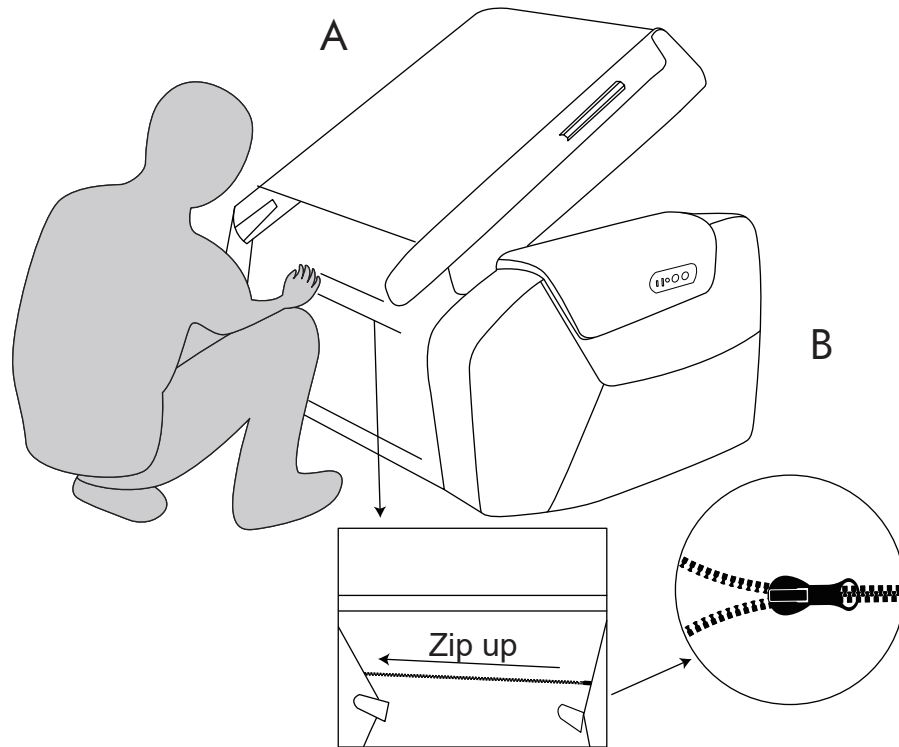
**Step 1**

Cut the plastic ties to remove the hardware pack (Includes: Power Cord (E)). Locate the Left Wing (C) and Right Wing (D) at the bottom of the Seat (B), then take them out.



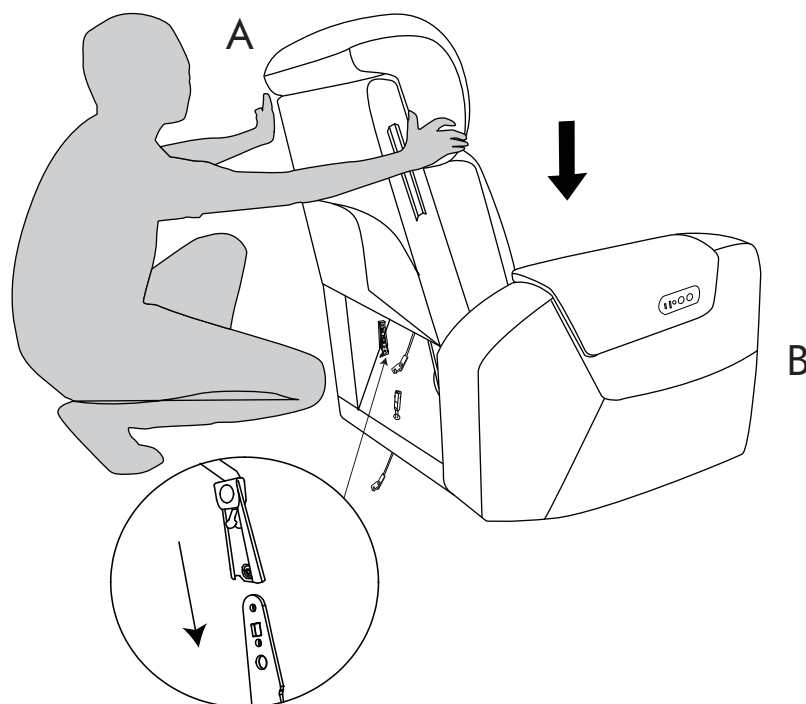
## Step 2

Zip up the Backrest (A) and the Seat (B) together.



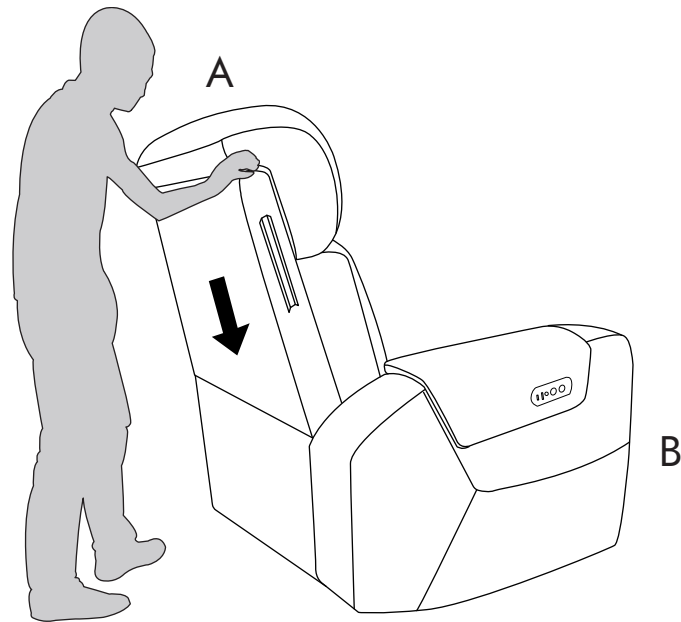
## Step 3

Slide the Backrest (A) into the metallic quick connectors of the Seat (B).



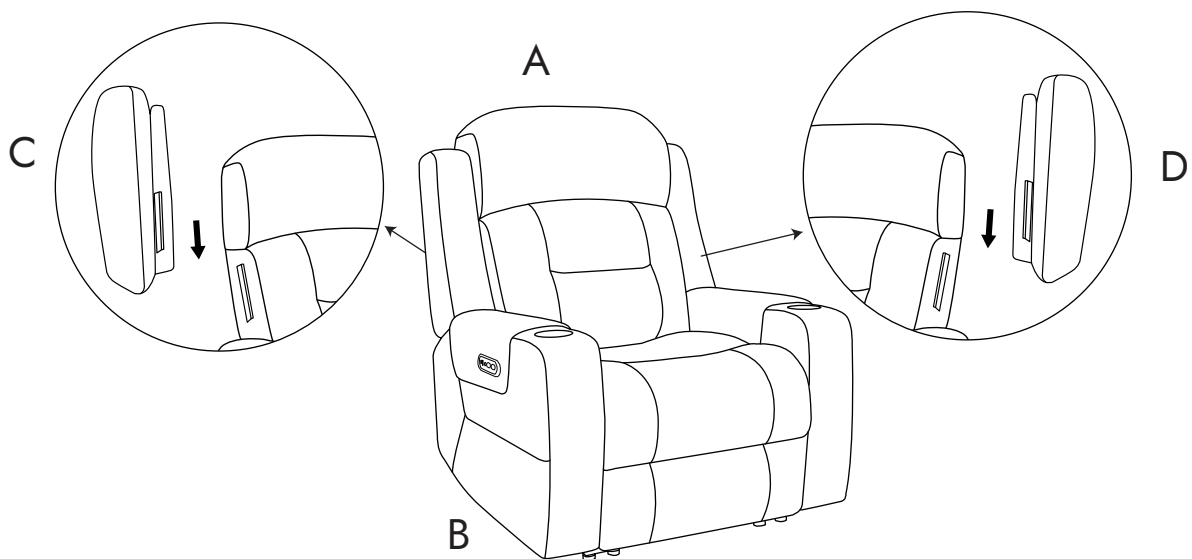
### Step 4

Push down the Backrest (A) firmly until each side is locked into place and an audible “click” is heard.



### Step 5

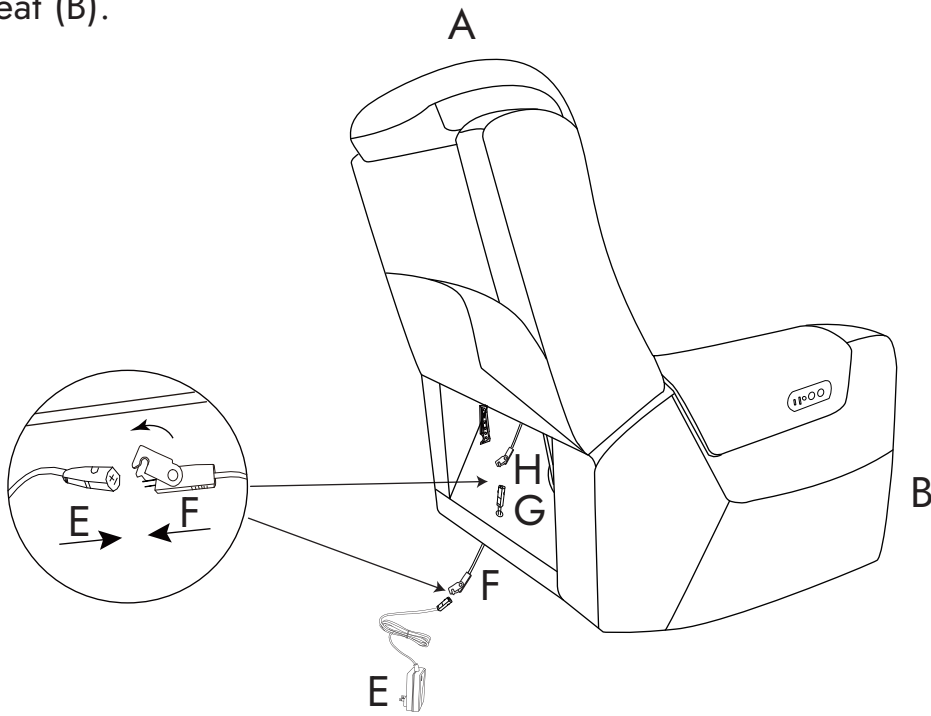
Slide the the Left Wing (C) and Right Wing (D) into the Backrest (A).



### Step 6

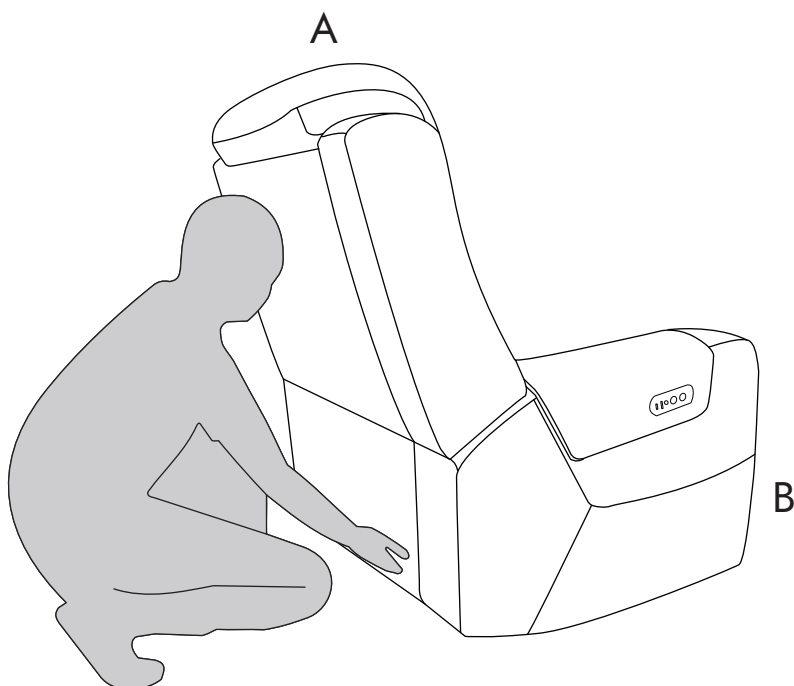
Connect the Wire (H) from the Backrest (A) to the corresponding Wire (G) on the base of the Seat (B).

Locate the Power Cord (E) and connect to its corresponding Receiver (F) on the base of the Seat (B).



### Step 7

Attach the back cover to the bottom of the seat with velcro.



## Step 8

Plug the Power Cord (E) into the power outlet.

