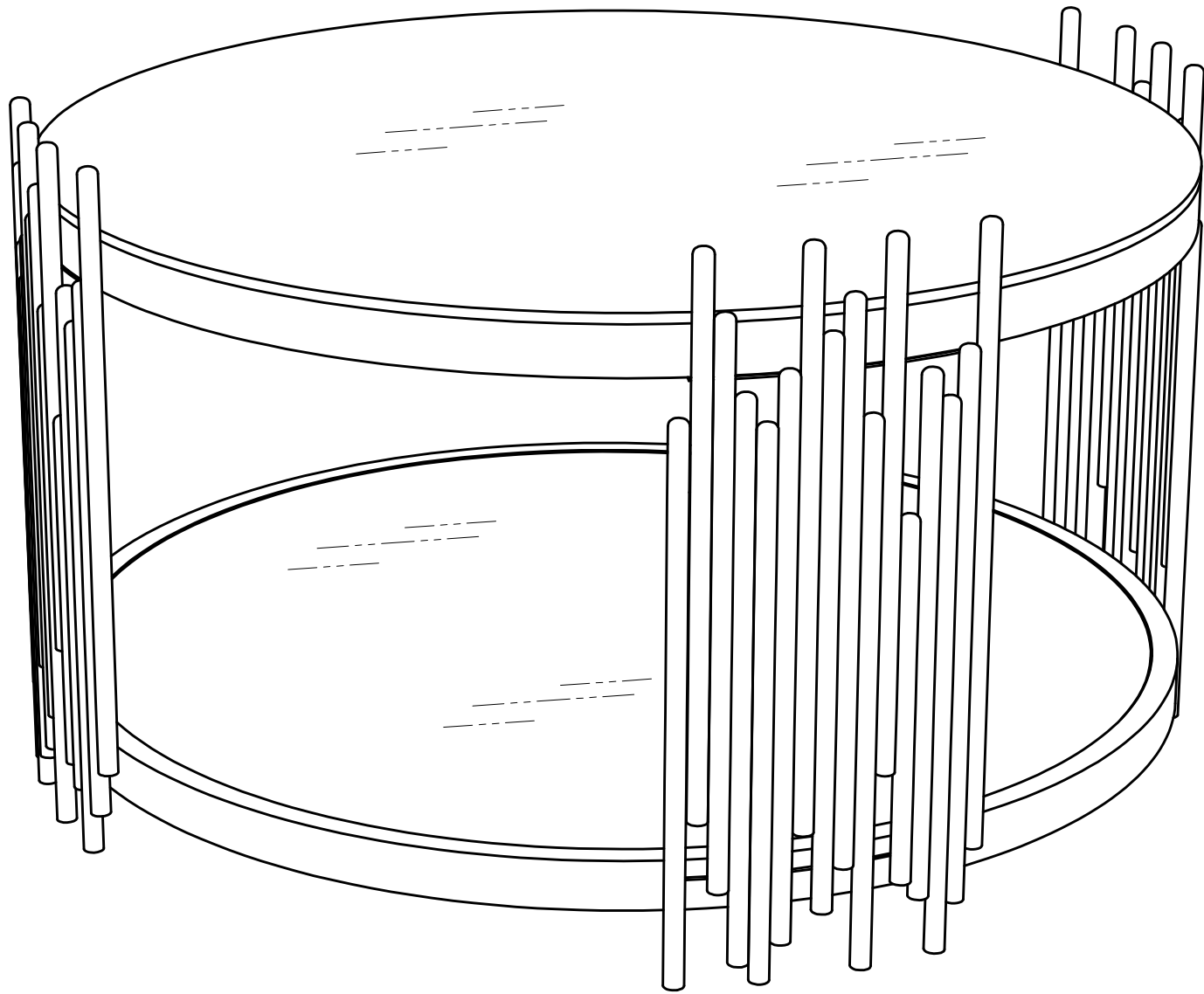
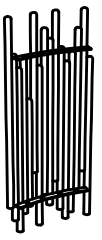
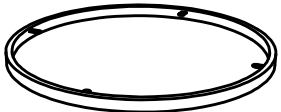

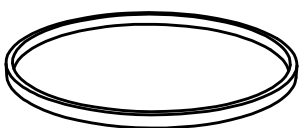
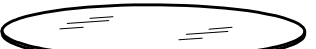



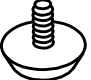



ASSEMBLE INSTRUCTION



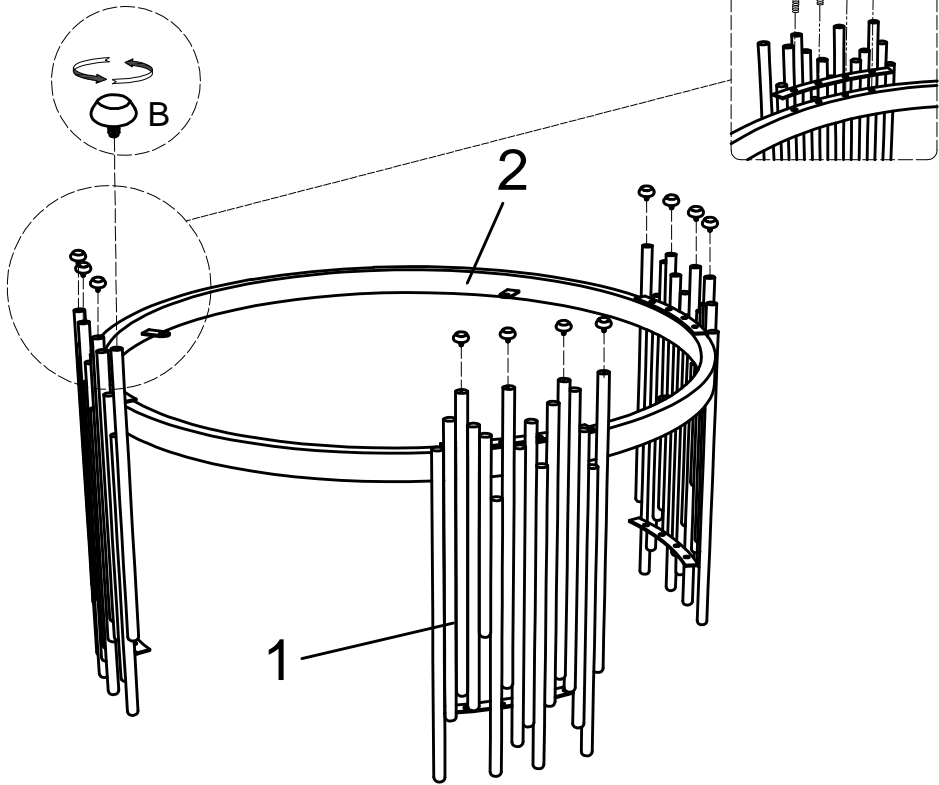
Parts List

				
Table leg	Metal frame	Glass	Metal frame	Glass
1. 3pcs	2. 2pcs	3. 1pc	4. 1pc	5. 1pc

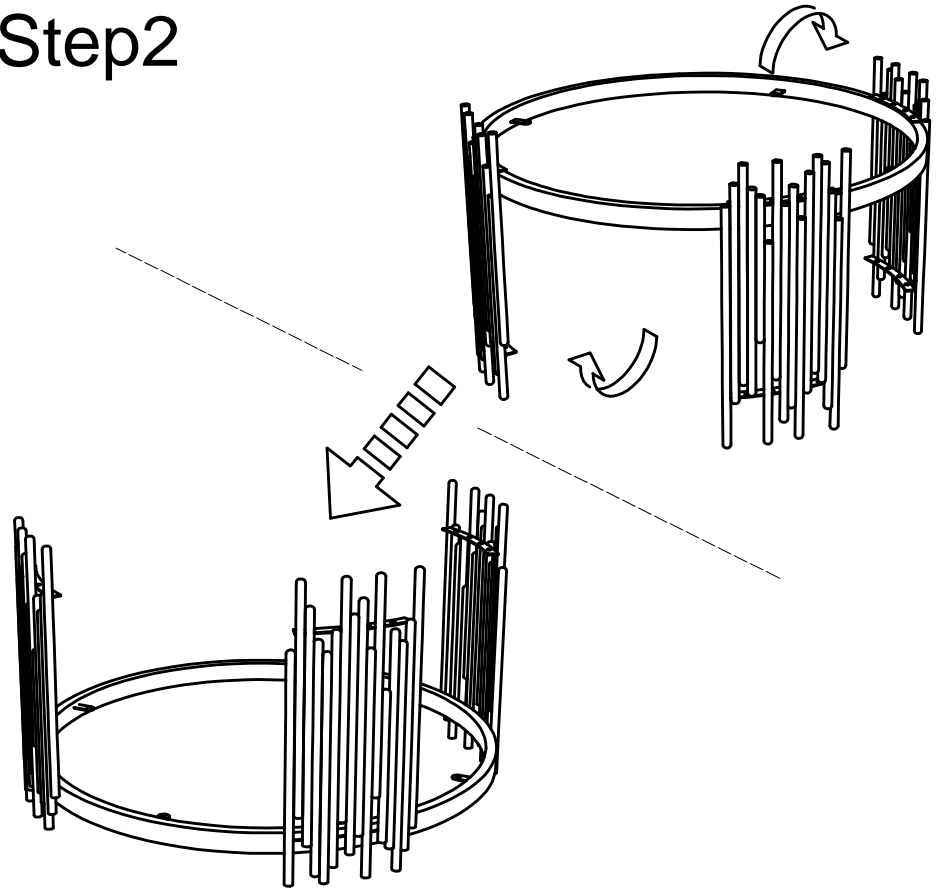
Hardware List

				
Screw	Tack	Sucker	Rubber mat	Wrench
A. 19pcs	B. 13pcs	C. 5pcs	D 6pcs	E 1pc

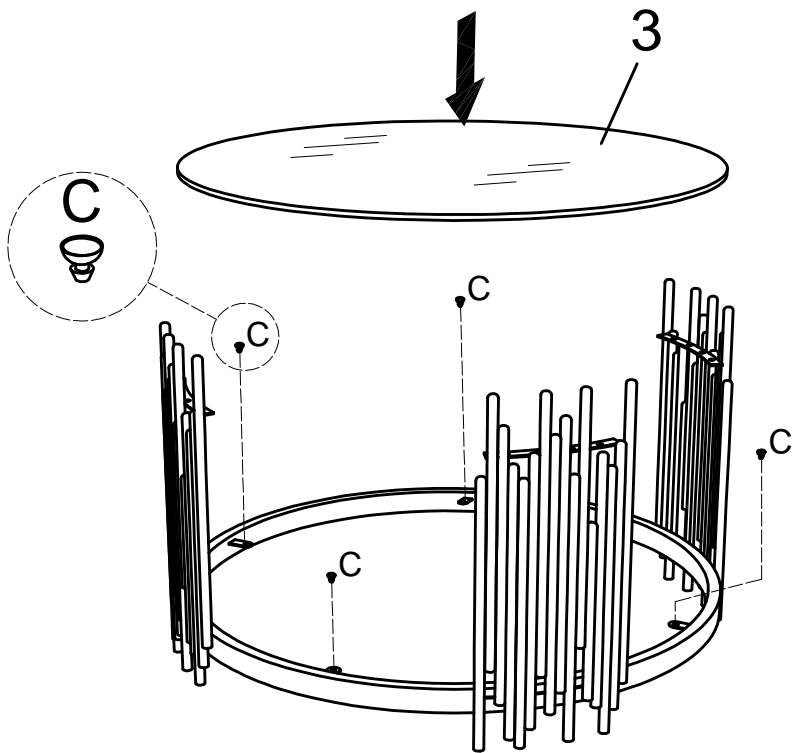
Step 1



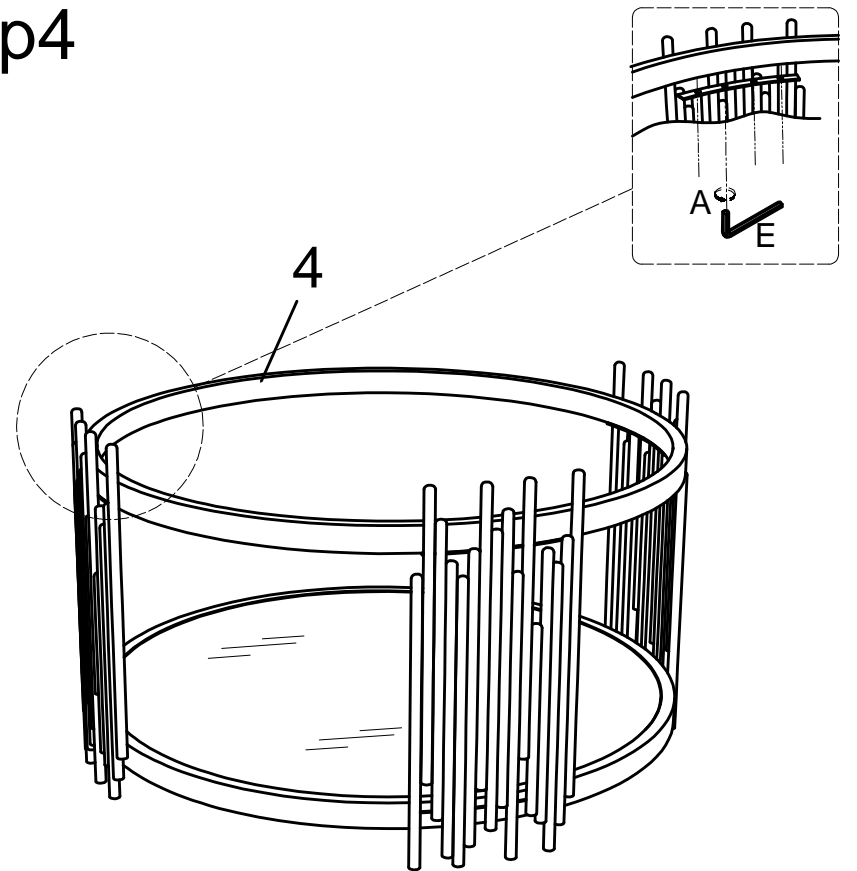
Step 2



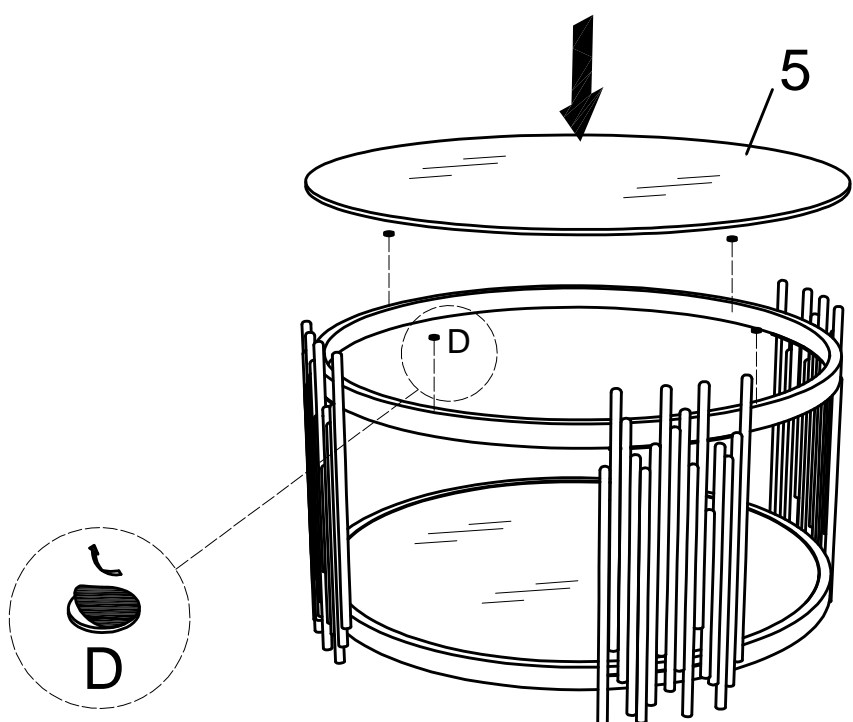
Step 3



Step 4



Step 5



Step 6

