

ASSEMBLY INSTRUCTIONS



Fine Furniture for every stage of life

Daybed with Trundle

ASSEMBLY INSTRUCTIONS

ASSEMBLY TIPS:

1. Remove hardware from box and sort by size.
2. Please check to see that all hardware and parts are present prior to start of assembly.
3. Please follow attached instructions in the same sequence as numbered to assure fast & easy assembly.



WARNING!

1. Don't attempt to repair or modify parts that are broken or defective. Please contact the store immediately.
2. This product is for home use only and not intended for commercial establishments.

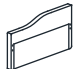

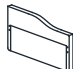





ASSEMBLY TIME

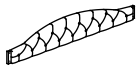




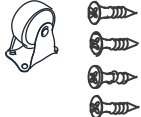

35 MINUTES

PARTS IDENTIFICATION

B1 (BOX 1)

A	LEFT SIDE PANEL		1PC	D	ROLL SLAT (7PCS)		2SETS
B	RIGHT SIDE PANEL		1PC	E	TRUNDLE SIDE PANEL		2PCS
C	LEG		4PCS	F	TRUNDLE ROLL SLAT (5PCS)		2SETS

B2 (BOX 2)

G	BACK PANEL		1PC	K	TRUNDLE BACK PANEL		1PC
H	FRONT RAIL		1PC	L	TRUNDLE SLAT		3PCS
I	BACK RAIL		1PC	M	CASTER WITH SCREW		6SETS
J	TRUNDLE FRONT PANEL		1PC				

NOTE:

Phillips head screw driver is required in the assembly process; however, manufacturer does not provided this item.

ASSEMBLY INSTRUCTIONS

ASSEMBLY TIPS:

1. Remove hardware from box and sort by size.
2. Please check to see that all hardware and parts are present prior to start of assembly.
3. Please follow attached instructions in the same sequence as numbered to assure fast & easy assembly.




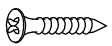
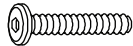






WARNING!

1. Don't attempt to repair or modify parts that are broken or defective. Please contact the store immediately.
2. This product is for home use only and not intended for commercial establishments.

HARDWARE IDENTIFICATION

Z-B2 (BOX 2) - HARDWARE PACK IS LOCATED IN (B2)

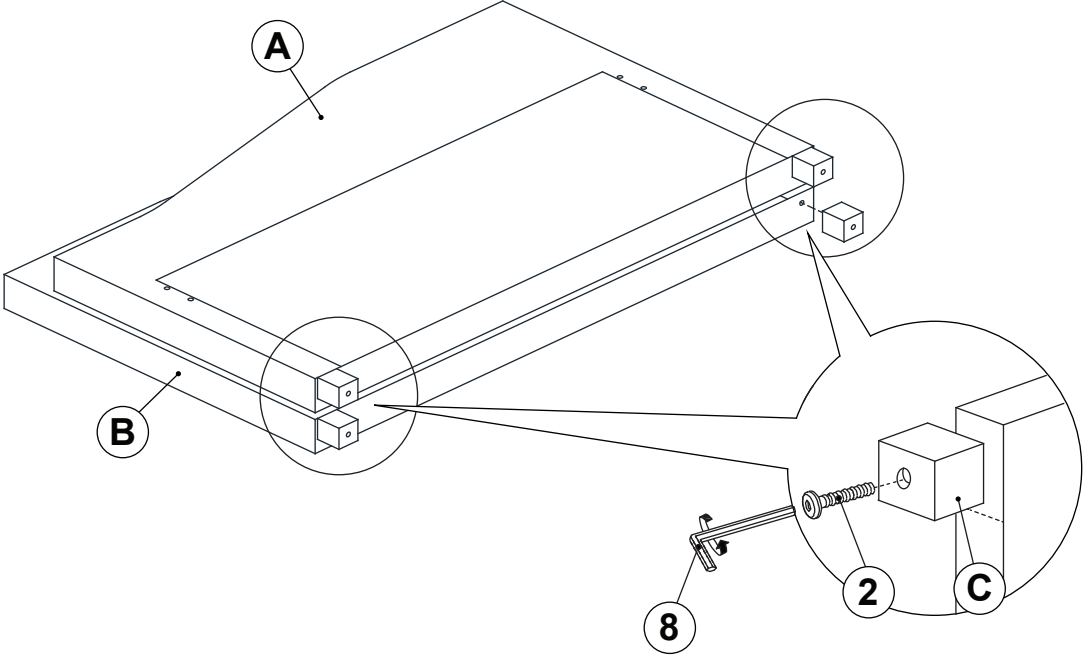
1	SHORT BOLT (M8 x 20MM - RBW)		16PCS	6	SMALL FLAT WASHER (15/64" X 13 Ø - RBW)		12PCS
2	MEDIUM BOLT (M6 x 35MM - RBW)		4PCS	7	FLAT HEAD SCREW (M4 x 32MM - RBW)		16PCS
3	LONG BOLT (M6 x 50MM - RBW)		16PCS	8	SMALL ALLEN WRENCH (M4 x 100MM - BLK)		1PC
4	LOCK WASHER (15/64" x 12 Ø - RBW)		16PCS	9	BIG ALLEN WRENCH (M5 x 65MM - BLK)		1PC
5	BIG FLAT WASHER (15/64" x 19 Ø - RBW)		4PCS				

NOTE:

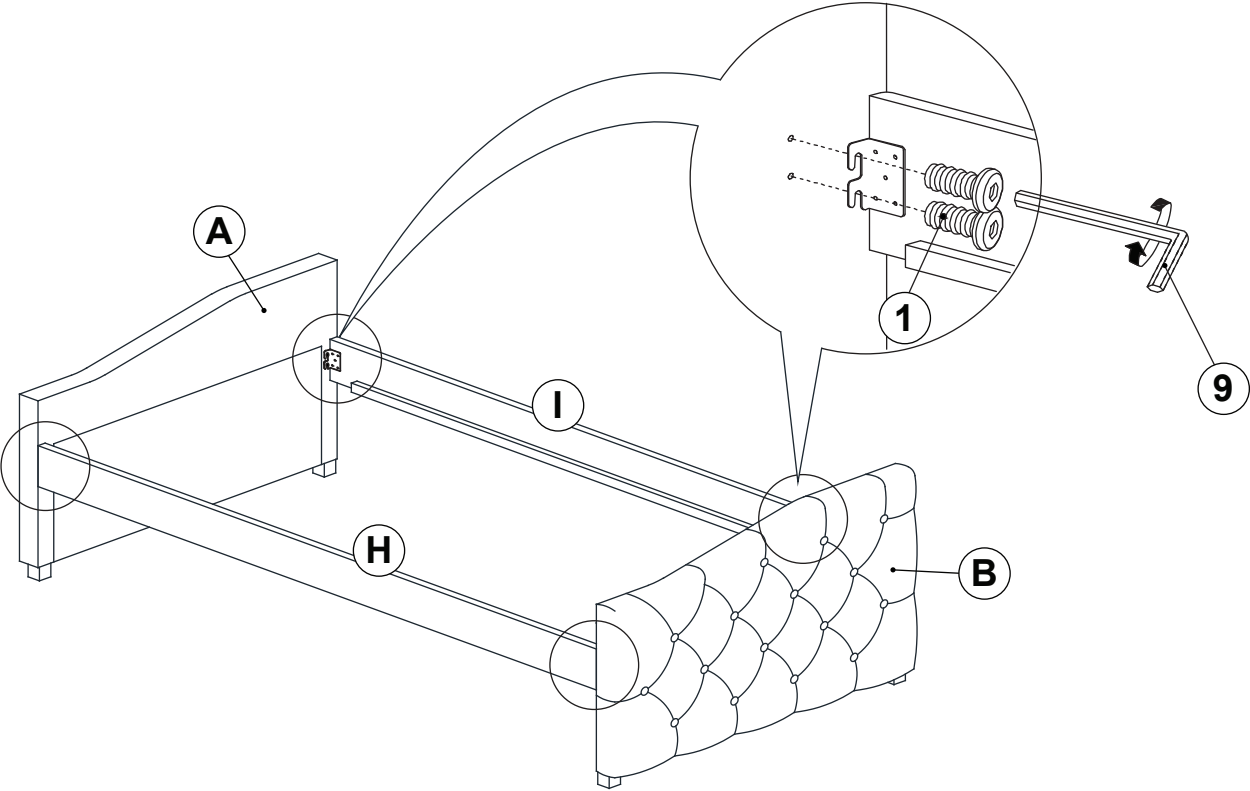
Phillips head screw driver is required in the assembly process; however, manufacturer does not provided this item.

ASSEMBLY INSTRUCTIONS

STEP 1

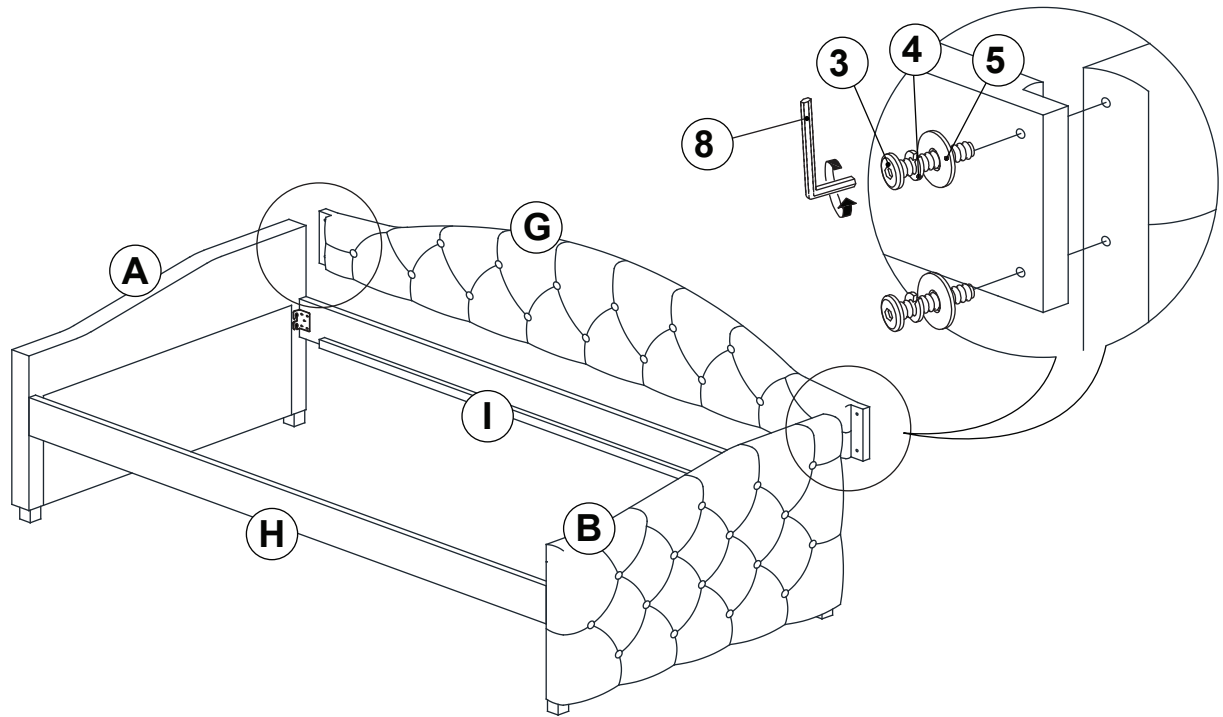


STEP 2

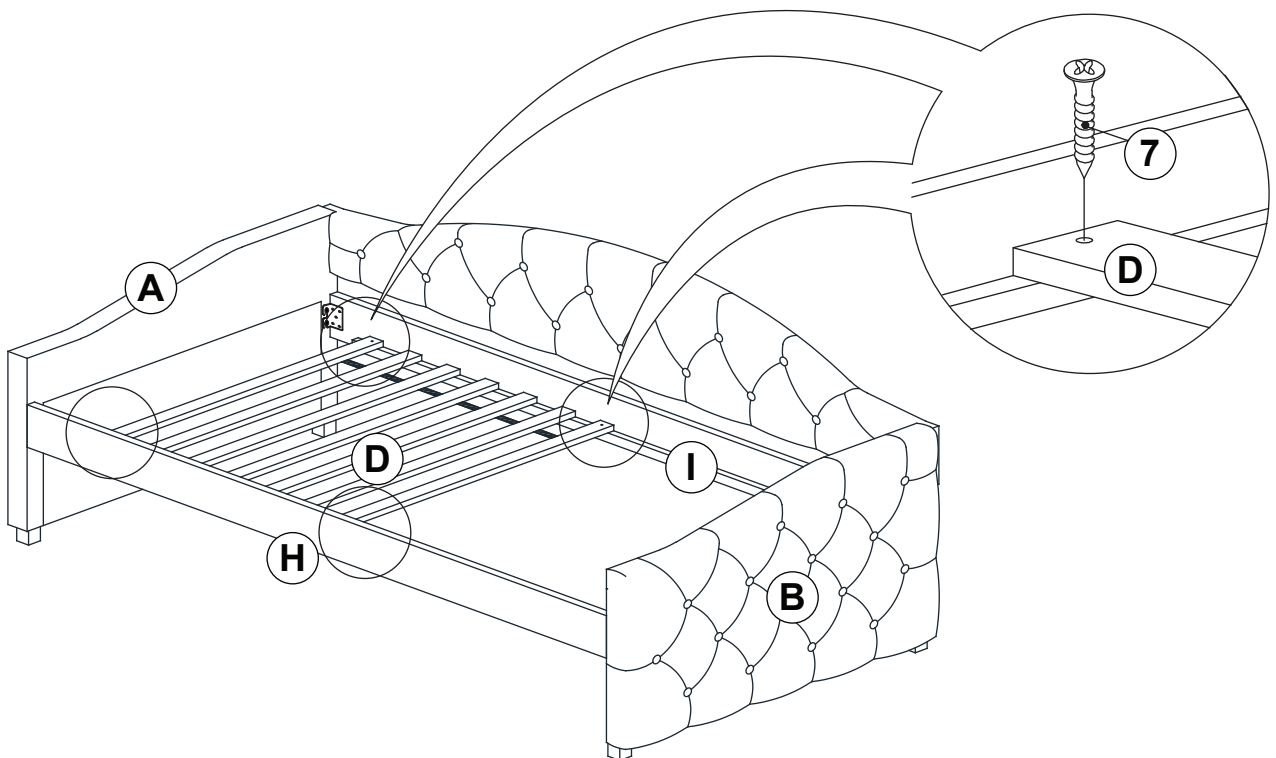


ASSEMBLY INSTRUCTIONS

STEP 3

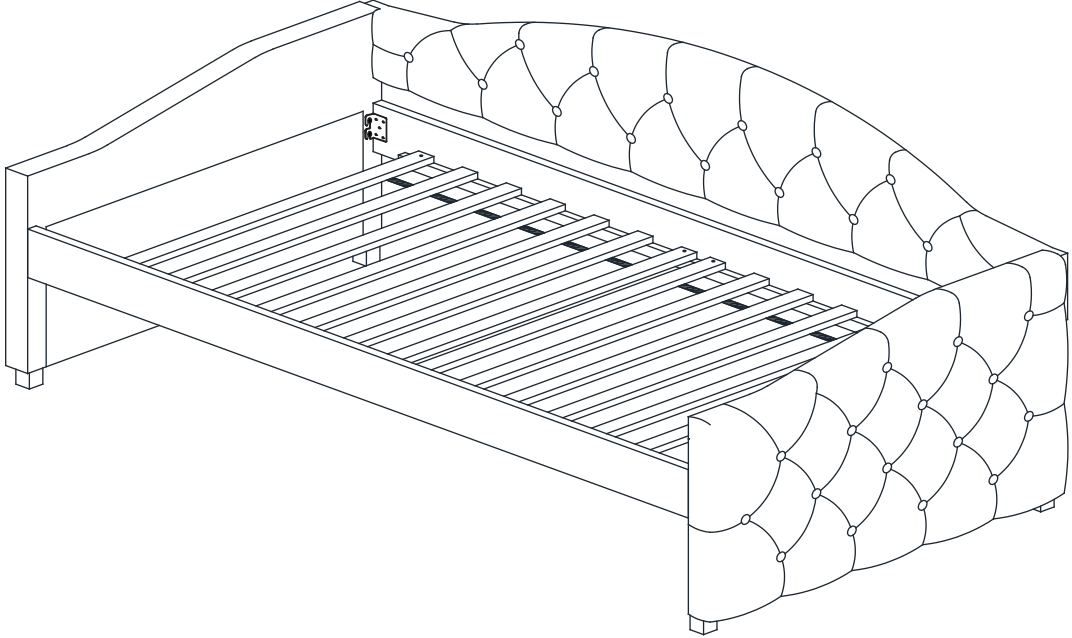


STEP 4

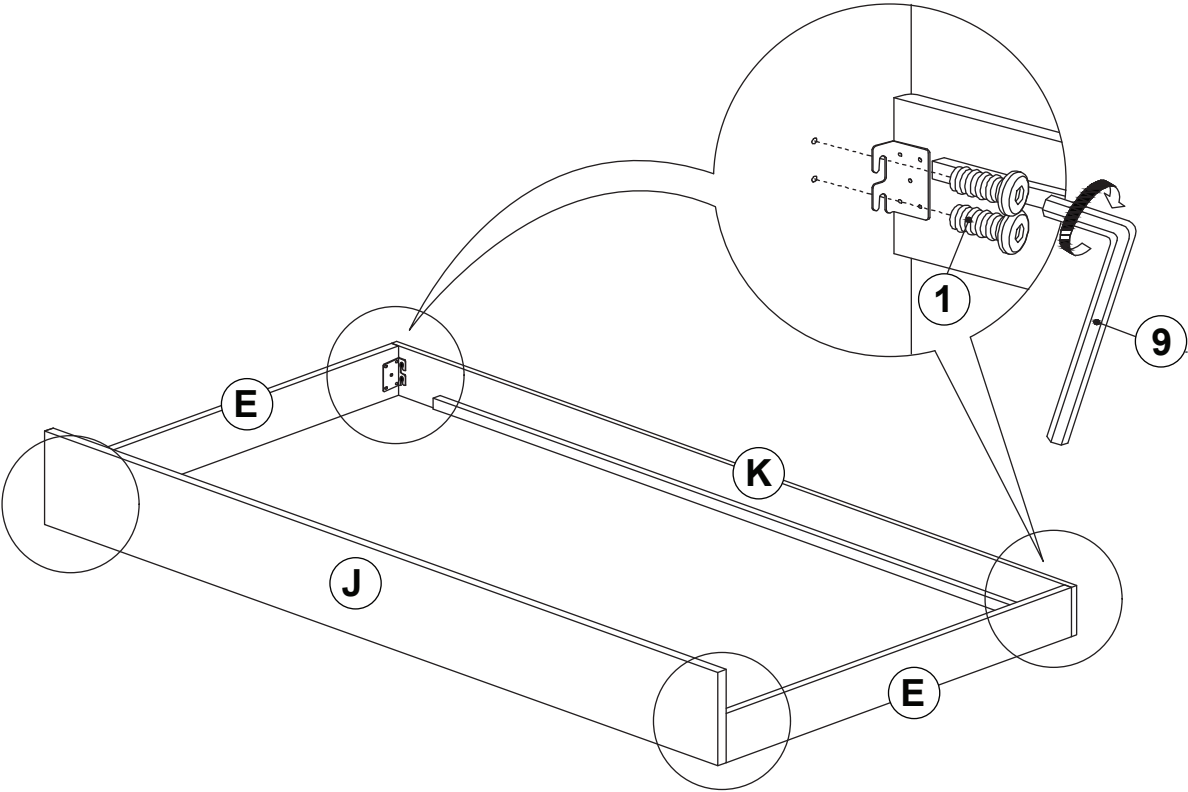


ASSEMBLY INSTRUCTIONS

STEP 5

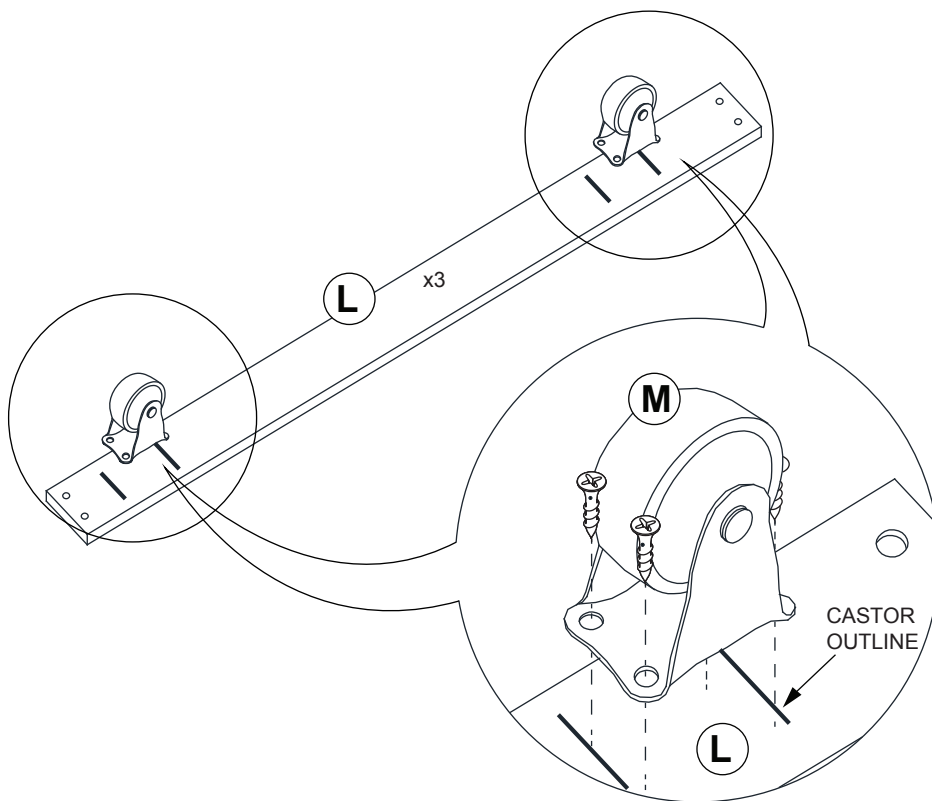


STEP 6

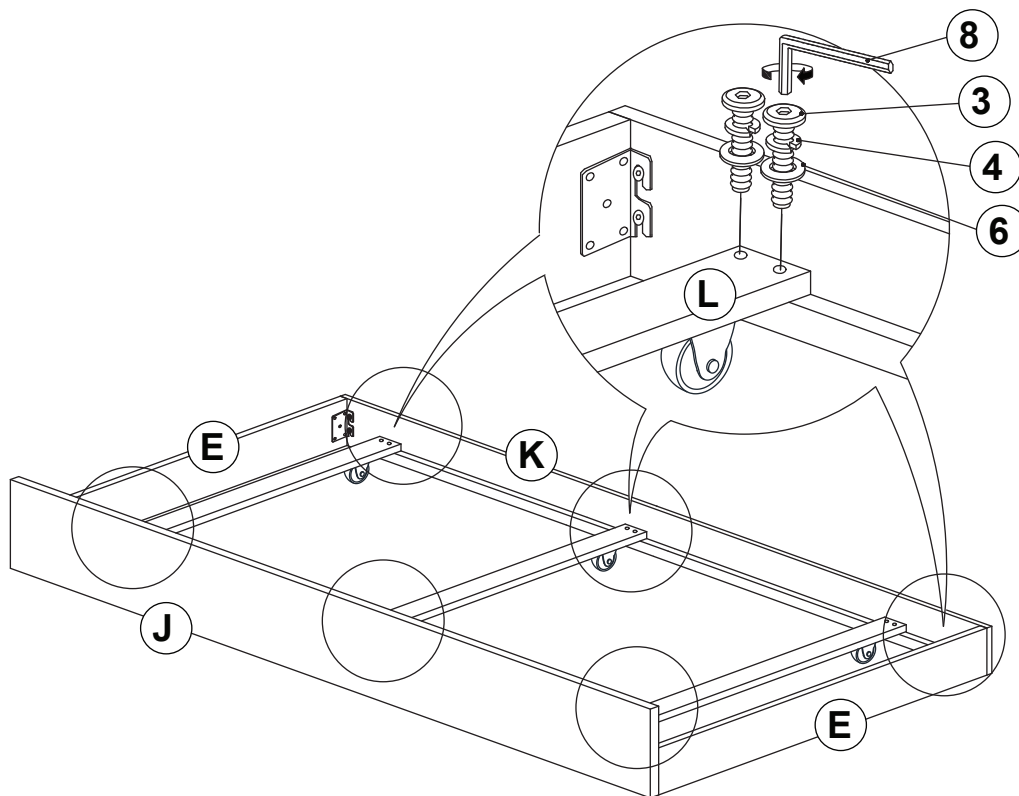


ASSEMBLY INSTRUCTIONS

STEP 7

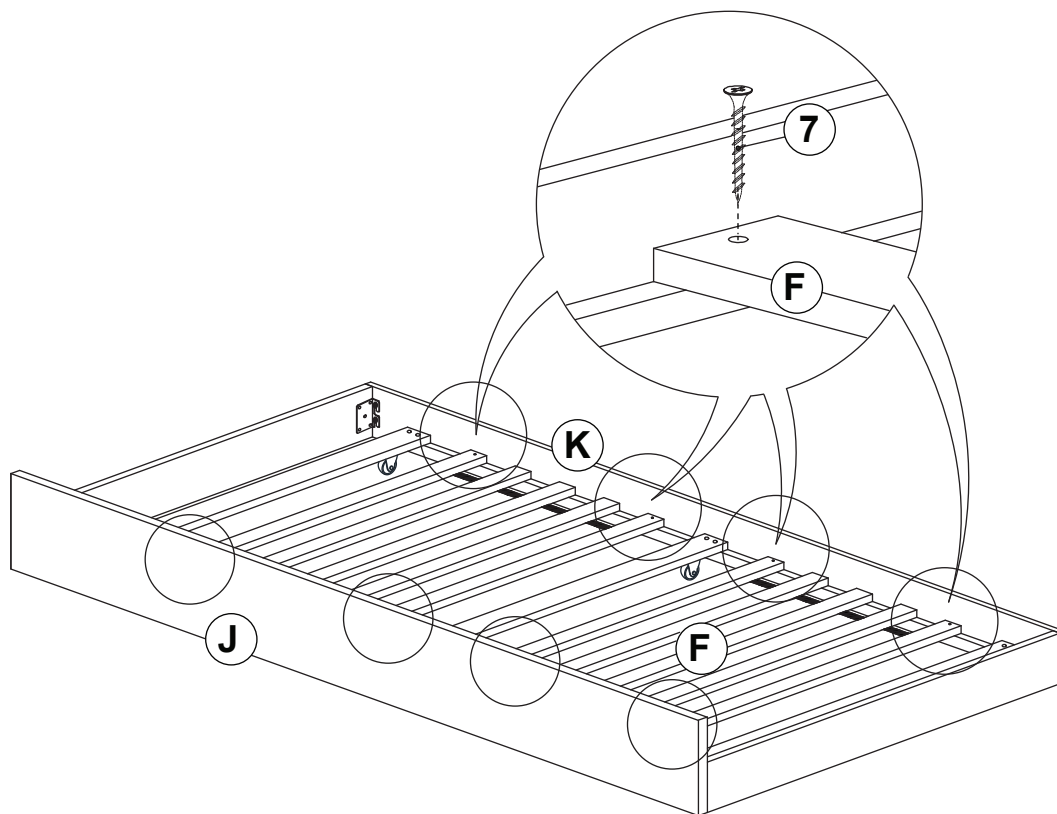


STEP 8



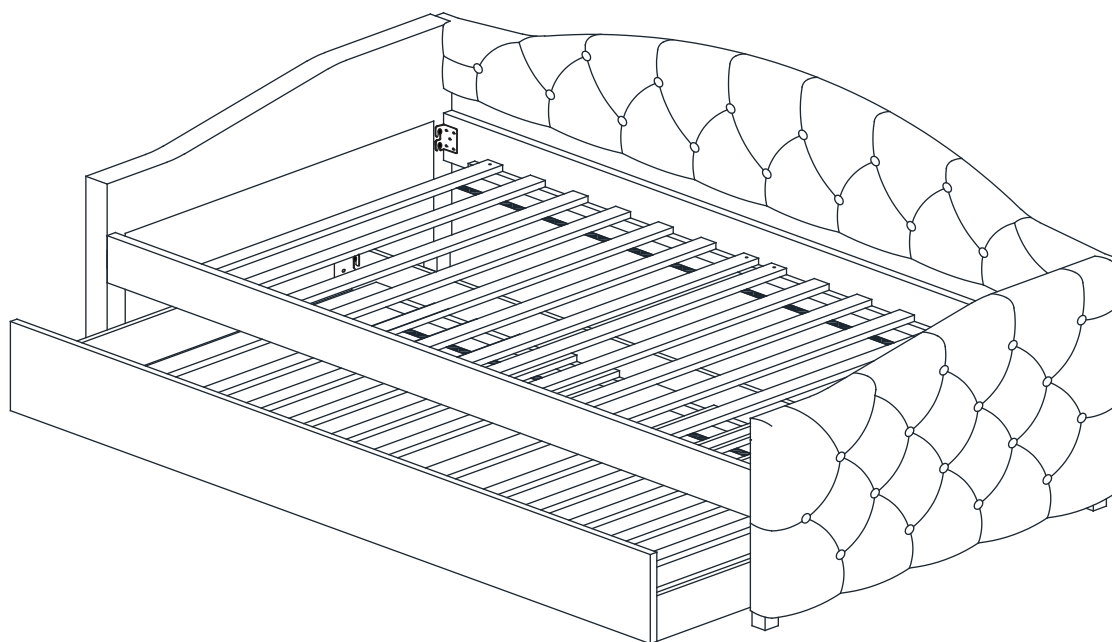
ASSEMBLY INSTRUCTIONS

STEP 9

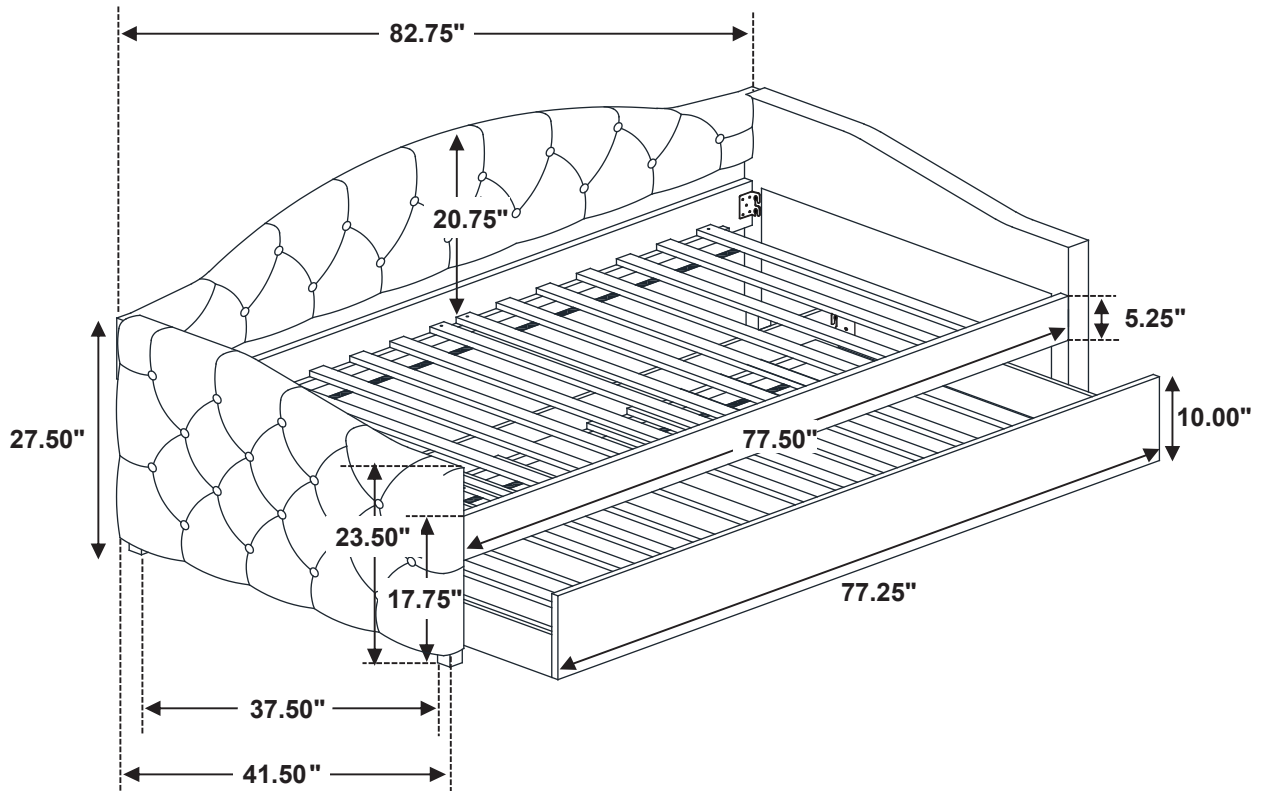


STEP 10

COMPLETE



Upper Inner Size: 77.25"W X 39.50"D
Trundle Inner Size : 75.50"W X 39.50"D



Note: Dimension tolerance $\pm 5\%$