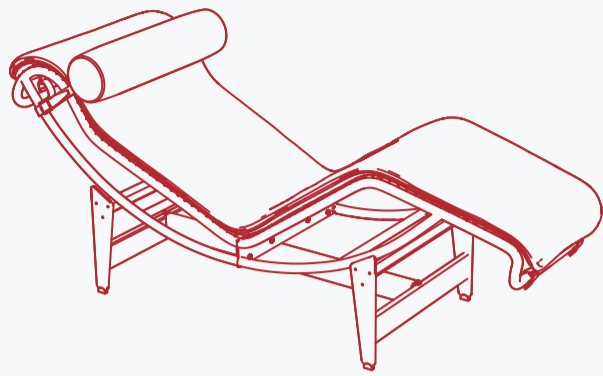


# MID CENTURY CHAISE LOUNGE

## INSTRUCTION MANUAL



**HIGH-QUALITY STYLISH VERSATILE**

### TIPS & PREP

Your new chaise lounge is designed for easy assembly right at home with the included instructions. Before we get started, here are some essential tips and preparation steps to ensure the assembly process goes smoothly.

#### Get a buddy or family member

While the assembly doesn't require any tools, it does involve lifting and aligning various parts. To simplify the process, we recommend having at least two people present throughout the entire assembly.

#### Left or right matters!

During assembly, we will refer to the Left and Right Arms and their movements, based on your perspective when standing in front of the chaise lounge.

#### Don't overlook the glossary!

We've included a glossary with these instructions to help you identify every part and piece of hardware. If you run into any issues, consult the glossary to ensure you're using the right components.

#### Unbox and check your hardware

Open the chaise lounge package up, lay out each piece, and double-check with the checklist to make sure you have everything you need. If anything's missing, reach out to customer service before moving forward.

#### Have your scissors handy!

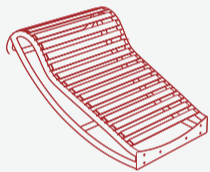
Make sure you have scissors nearby. The chaise lounge components are securely packaged, and some parts may be in protective wrap. Carefully open them to prevent any damage or injury while unpacking.

#### Clear the space!

We recommend assembling your chaise lounge in a spacious, clutter-free area, away from pets and children. Lay down a cloth or sheet to protect your table components from dust and debris during assembly.

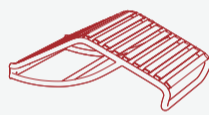
### PRODUCT LIST

Here's a complete parts list for your chaise lounge. Please handle carefully to avoid any bumps or scratches during assembly. Confirm that the package has arrived and use this list to check all parts.



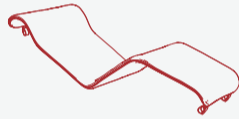
A1

Chaise Lounge Base Frame - 1  
x 1



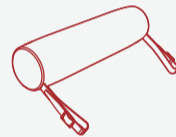
A2

Chaise Lounge Base Frame - 2  
x 1



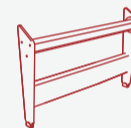
B

The slim profile cushion  
x 1



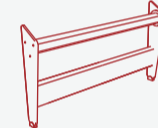
C

Tube-shaped Neck Rest  
x 1



D1

The Short Metal Legs  
x 1



D2

The Long Metal Legs  
x 1



E

The Crossbar of the  
Metal Legs x 1



F

The Spring Band  
x 1



G

The Black Short  
Screws x 6



H

The Nuts  
x 6



I

The Long  
Screws x 6



J

The Hexagon  
Socket Wrench x 1



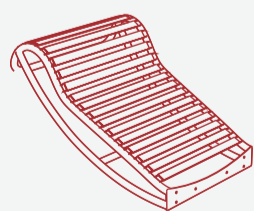
K

The External  
Hexagon Wrench x 1

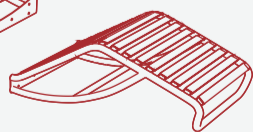
### CHAISE LOUNGE ASSEMBLY INSTRUCTIONS

#### STEPS

1



A1



A2

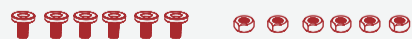


F



J

K



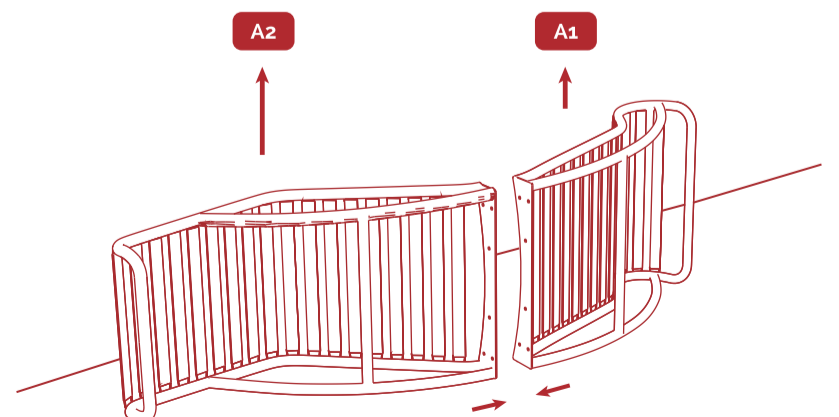
G

H

Please take out A1(Chaise Lounge Base Frame - 1), A2(Chaise Lounge Base Frame - 2), F(The Spring Band), G(The Black Short Screws), H(The Nuts), J(The Hexagon Socket Wrench) and K(The External Hexagon Wrench) from the box.

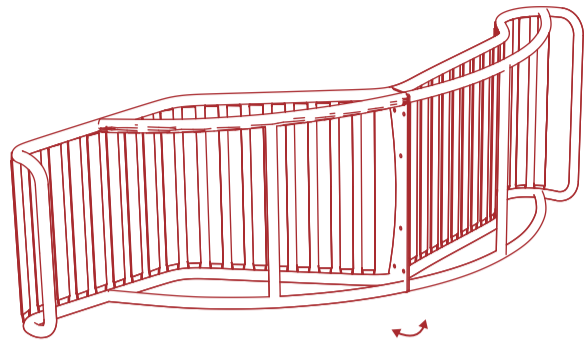
2

Place A1 and A2 vertically on a flat surface. Note that they should be placed on a soft area to avoid damaging the metal paint finish.

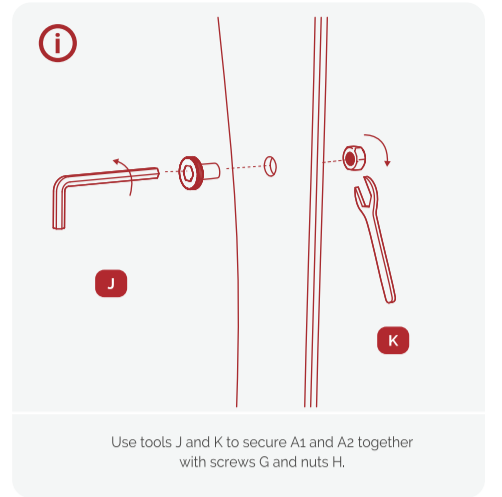
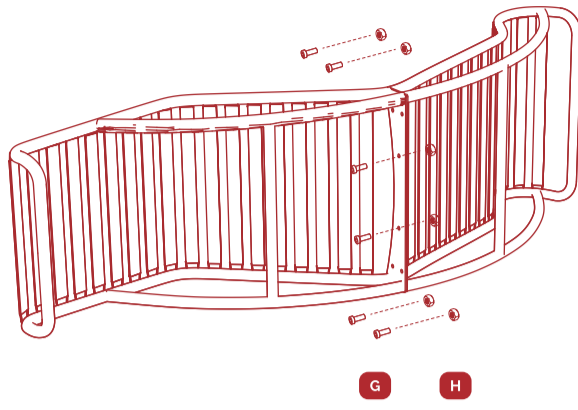


3

Secure this position between A1 and A2 with screws. After securing A1 and A2, check whether their connection is firm.



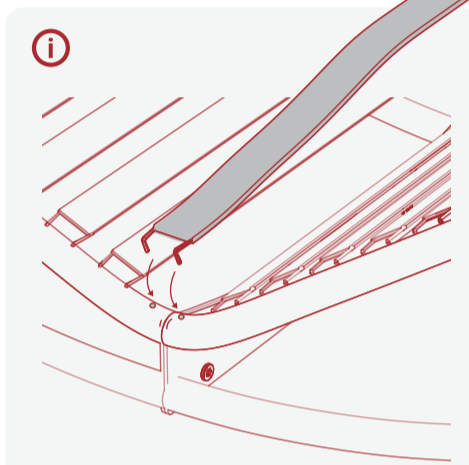
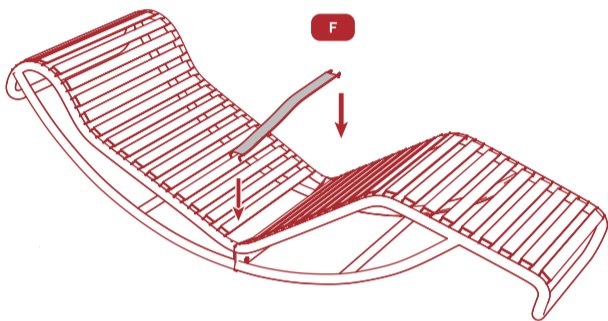
When securing A1 and A2, make sure that their holes are perfectly aligned.



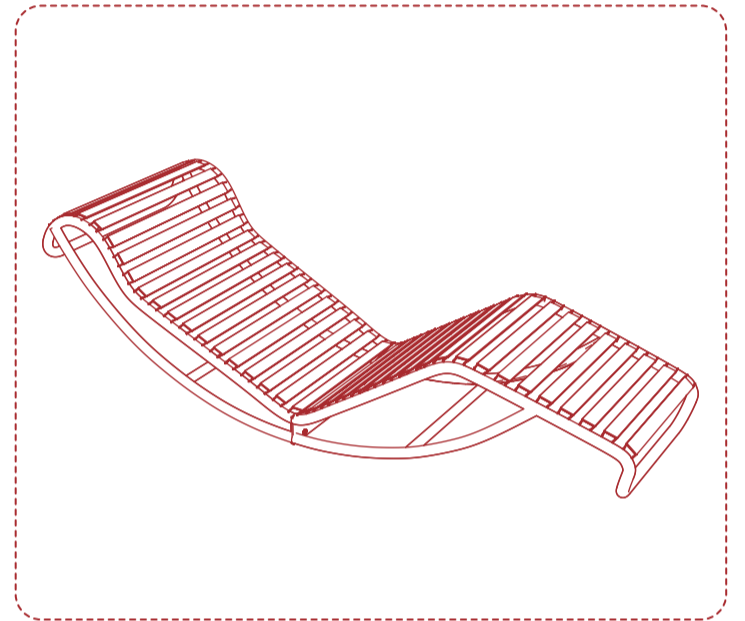
Use tools J and K to secure A1 and A2 together with screws G and nuts H.

4

With caution, turn over the base frame and begin the installation of the spring band.

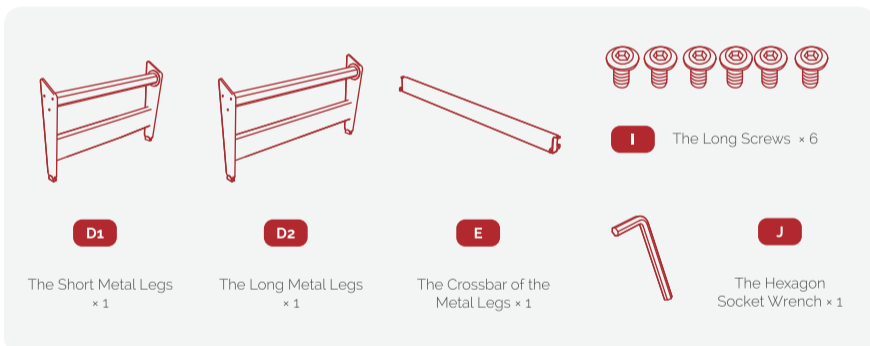


Forcefully insert the hooks at both ends of F (the spring band) into the holes at this position of the chaise lounge base frame. Take care to avoid injuring your hands.

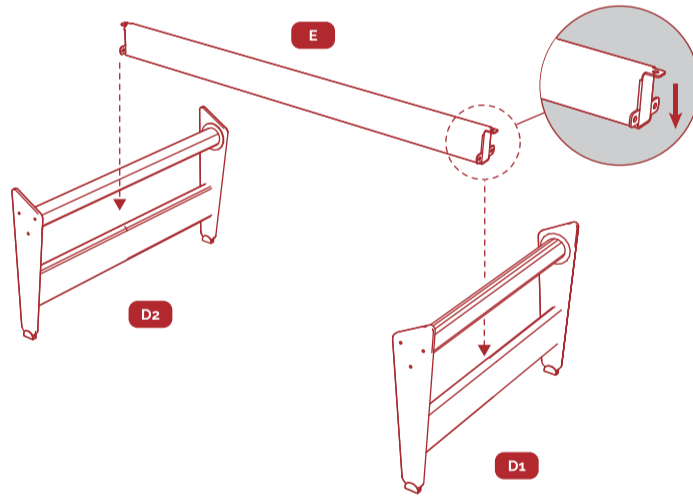


5

Steps Involved in Installing the Metal Legs. Pay attention to the orientation of the accessories during the process.

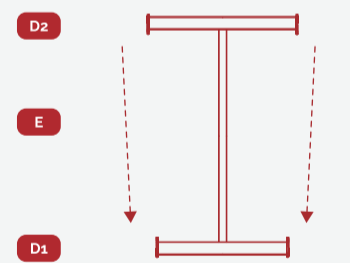


Please take out D1 (The Short Metal Legs), D2 (The Long Metal Legs), E (The Crossbar of the Metal Legs), I (The Long Screws x 6) and J (The Hexagon Socket Wrench) from the box.

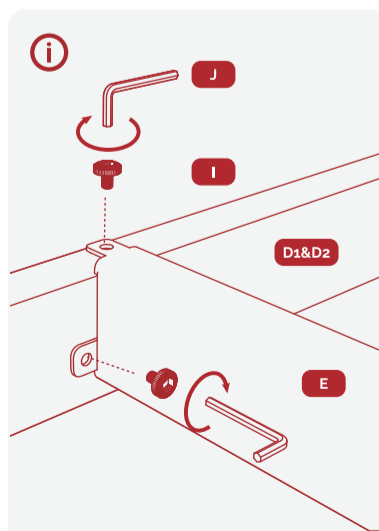
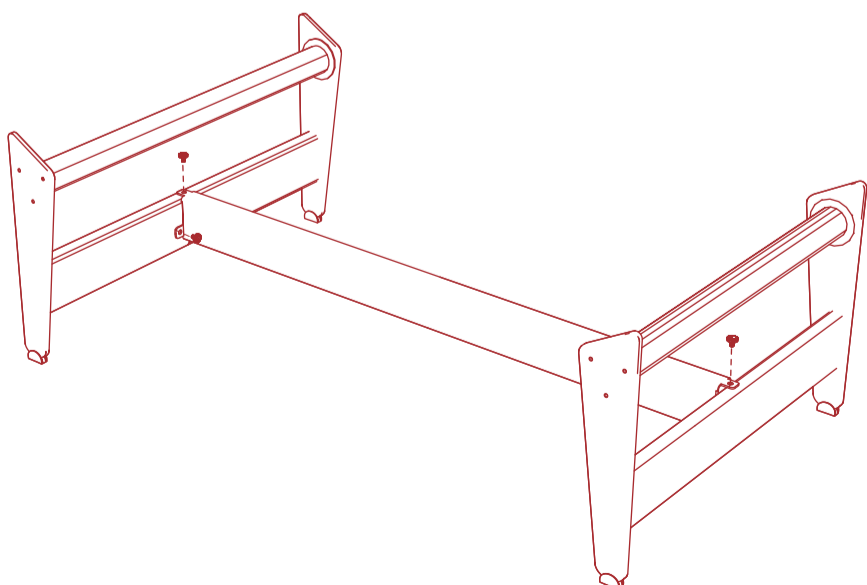


Position D1 and D2 as per the illustration. Place E midway, aligning holes. Ensure correct orientations of D1, D2, and E.

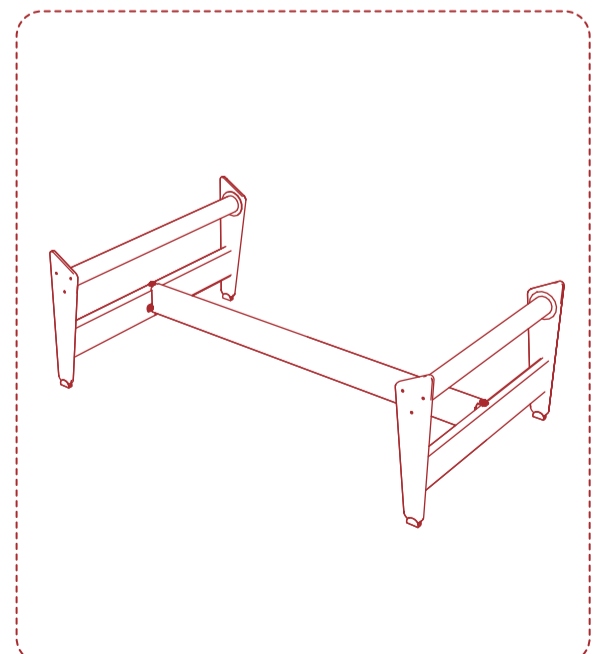
Place with the smaller end forward and the larger end rearward.



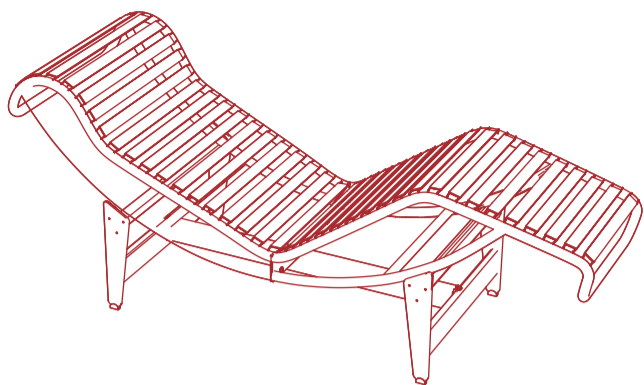
6



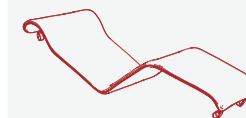
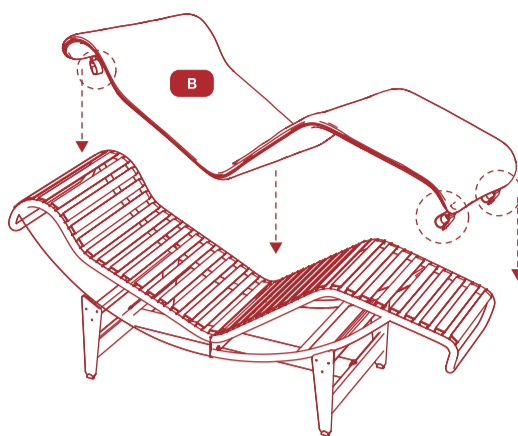
Use tools J to secure D1, D2 and E together with screws I. Screwed in clockwise.



Place the assembled base frame onto the installed metal legs, ensuring that their orientations are consistent.

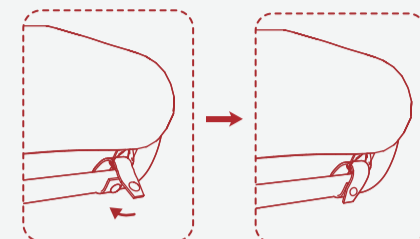


**7** Position B(The slim profile cushion ).



**B**  
The slim profile cushion  
× 1

**i** Fasten it to the metal tube of the base frame using the belt buckles at four positions.

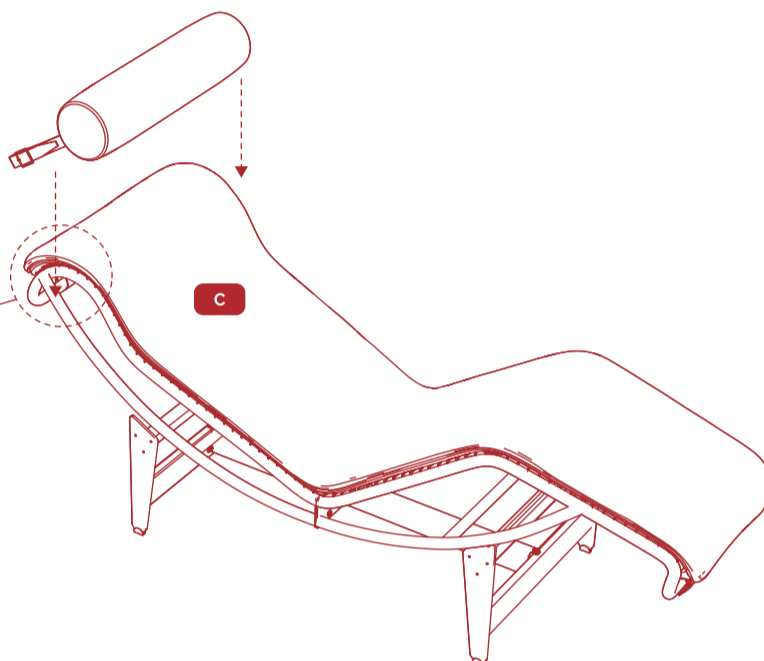
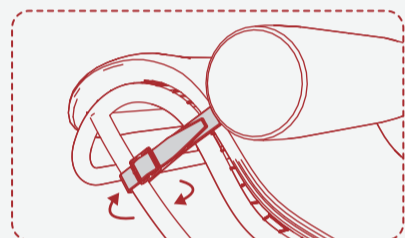


**8** Position C(The Tube-shaped Neck Rest ).

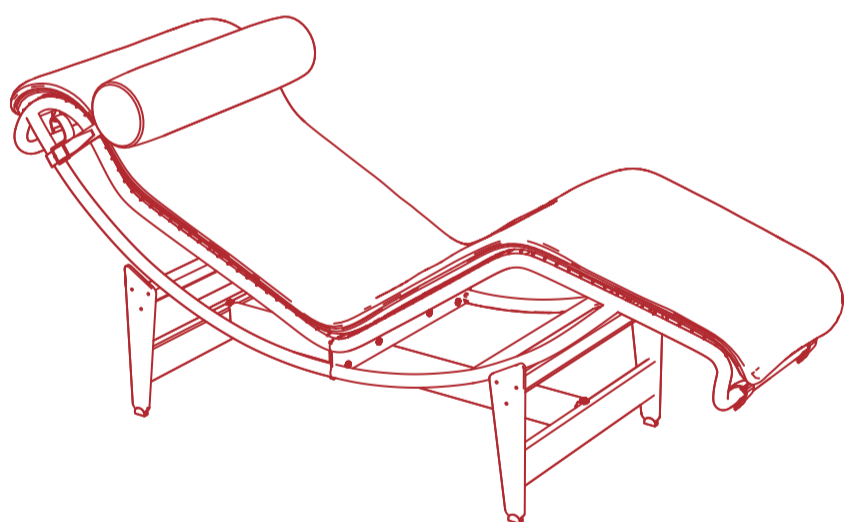


**C**  
Tube-shaped Neck Rest  
× 1

**i** Secure C(The Tube-shaped Neck Rest ) to the metal tube of the base frame using the belt buckles on both sides.



**9** Complete the installation.



**10**

It features flexible angle adjustment, allowing you to easily find the most comfortable reclining position.

