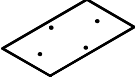
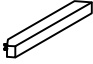
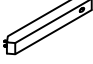
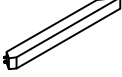
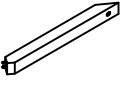
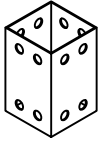



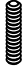




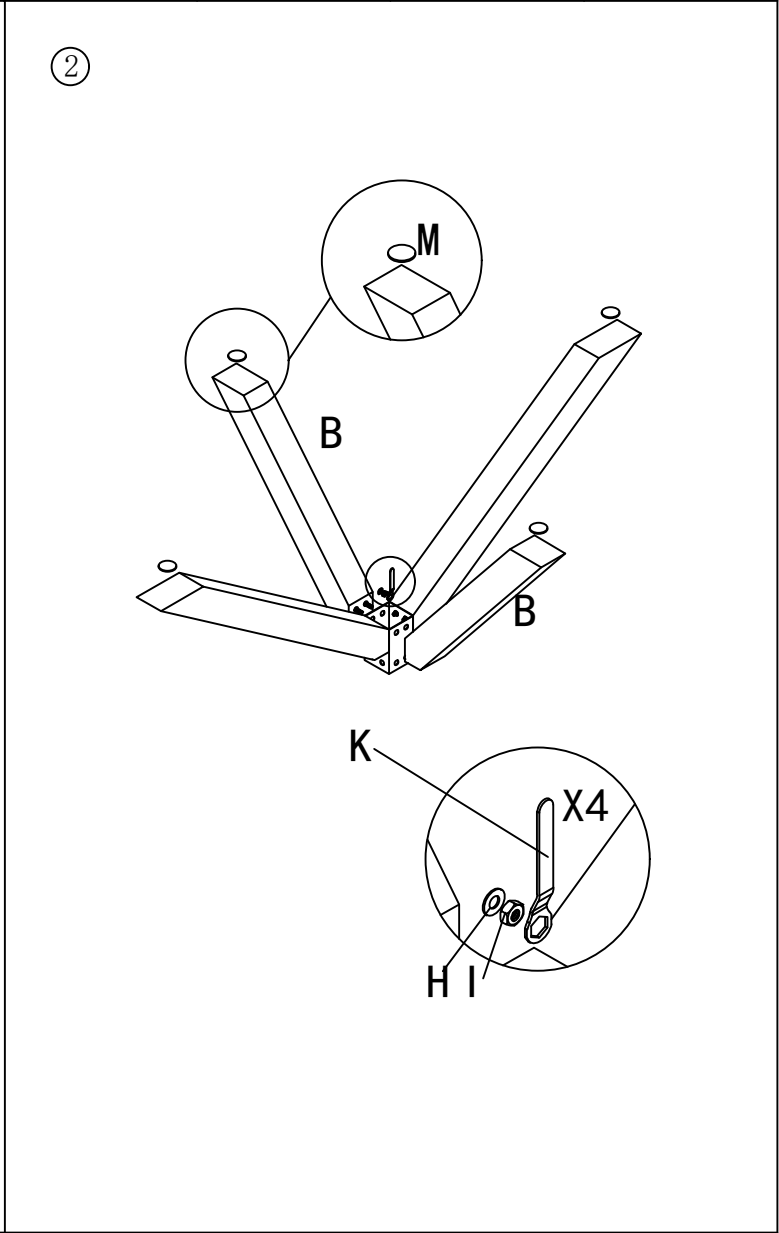
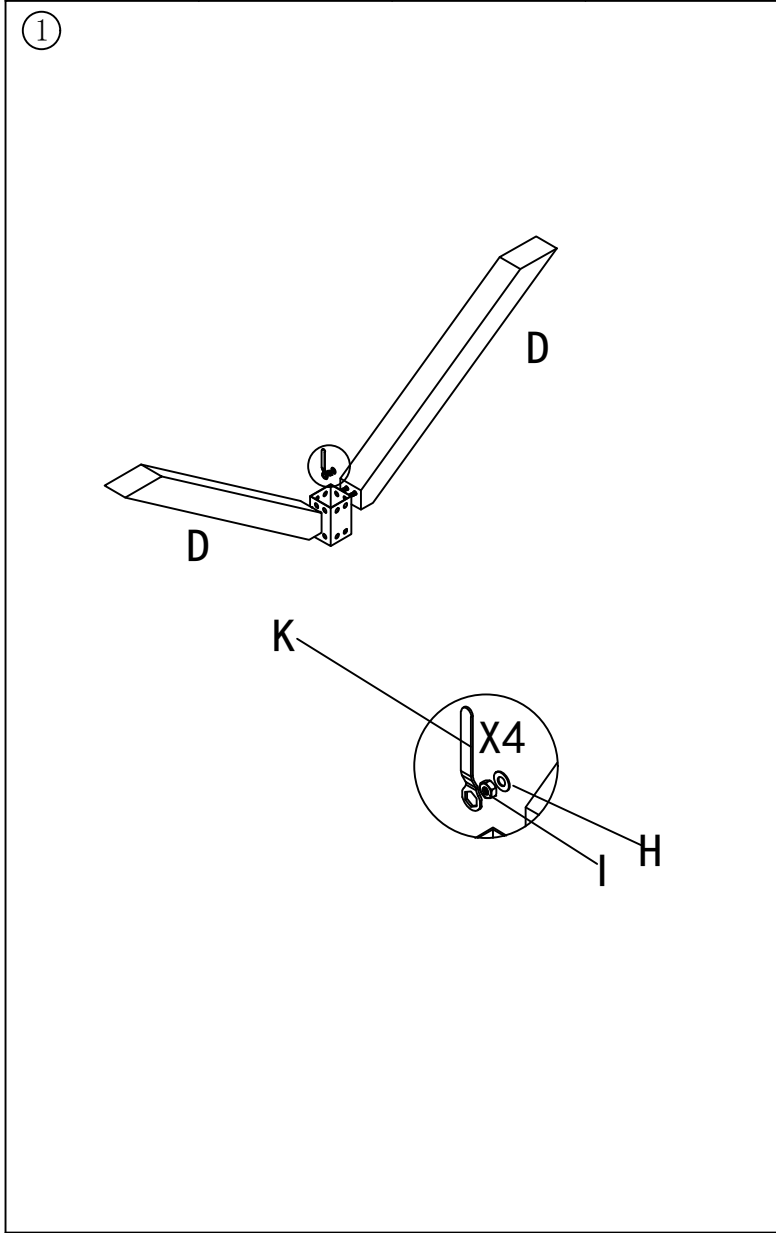
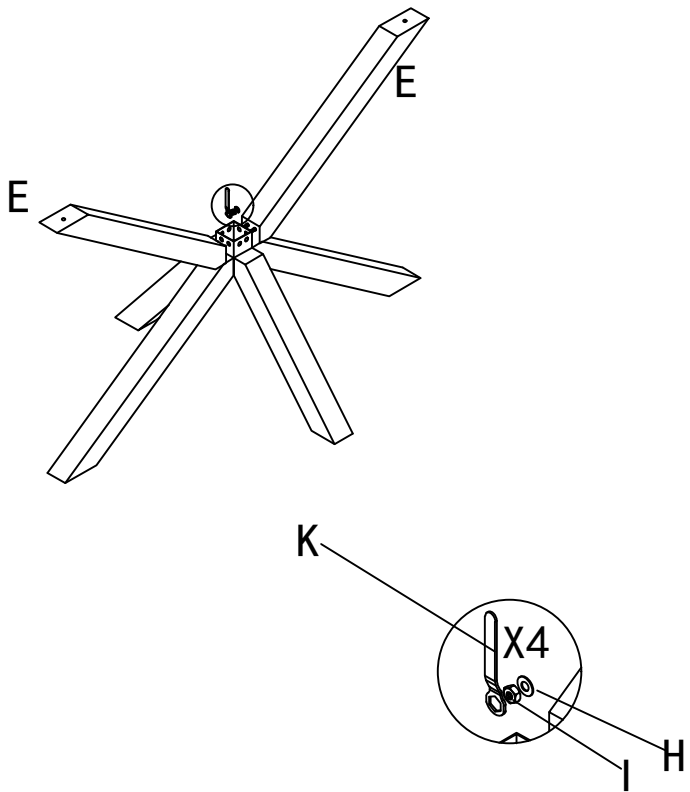


# ASSEMBLY PICTURE

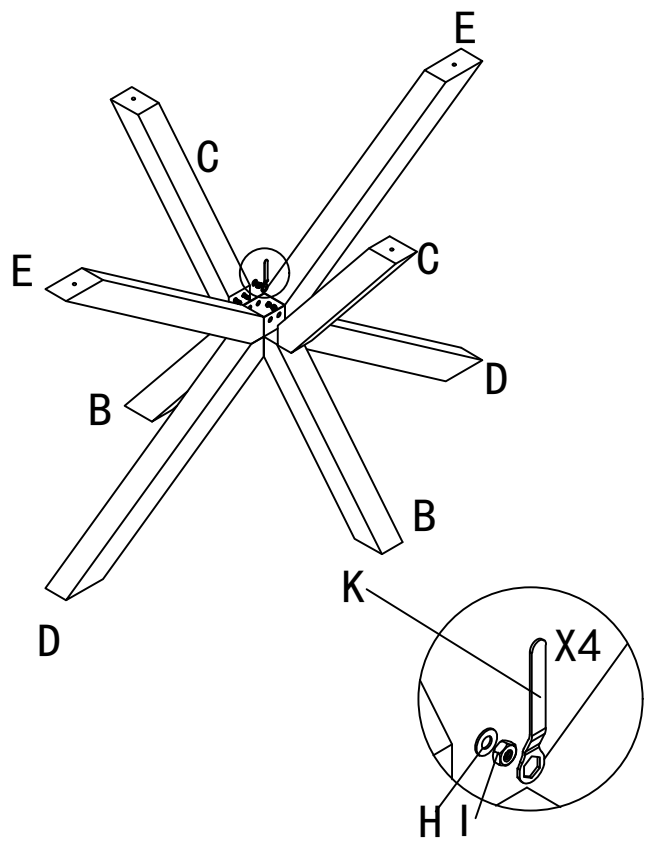
						
Ax1	Bx2	Cx2	Dx2	Ex2	Fx1	Gx1
						
Hx16	Ix16	Jx4	Kx1	L x4	M x4	Nx1



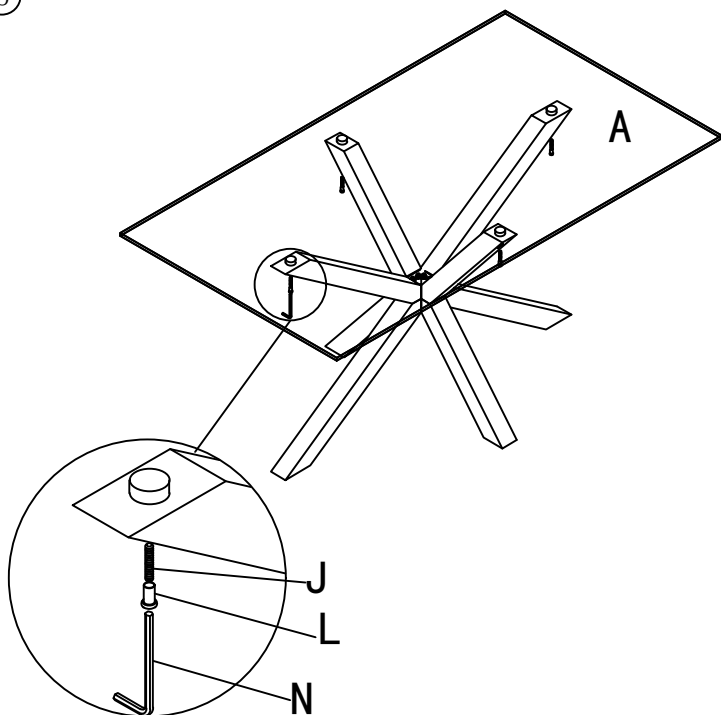
③



④



⑤



⑥

