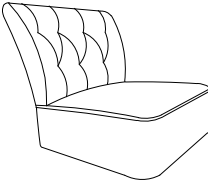
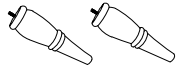
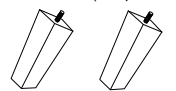




ASSEMBLY INSTRUCTIONS

ITEM	PART NAME	QTY
1	CUSHION SEAT 	1 PC
2	FRONT LEG 	2 PCS
3	BACK LEG (R=1pc & L=1pc) 	2 PCS

ITEM	HARDWARE NAME	DESCRIPTION	QTY
A	PLASTIC WASHER		4 PCS
B	CSK SCREW M4 x 38 mm		2 PCS

