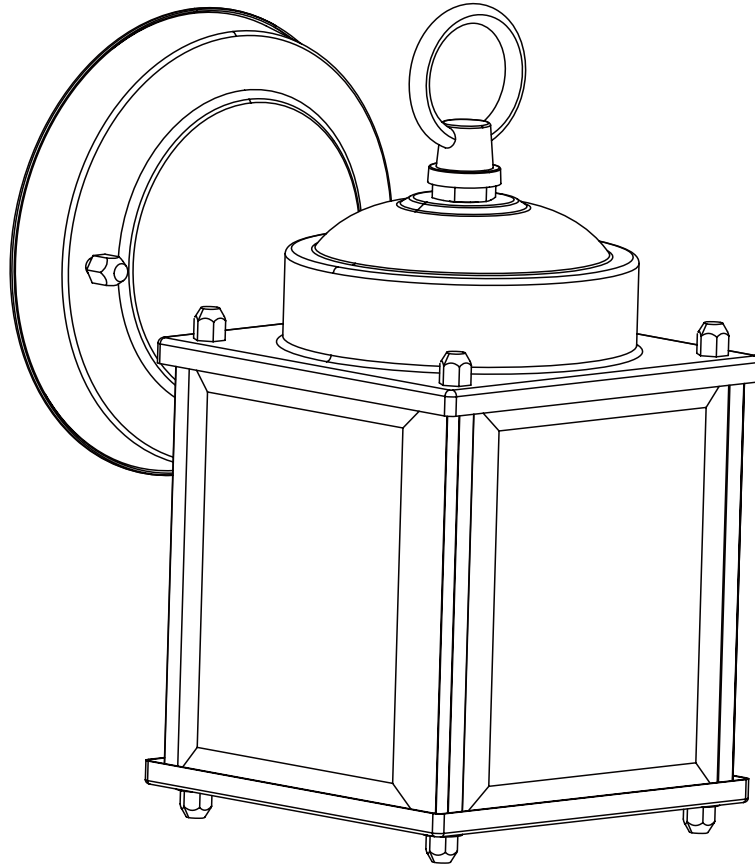


USE AND CARE GUIDE



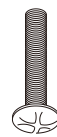
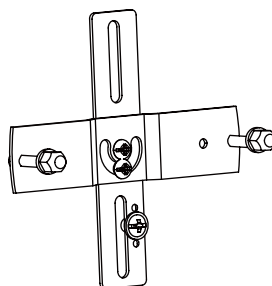
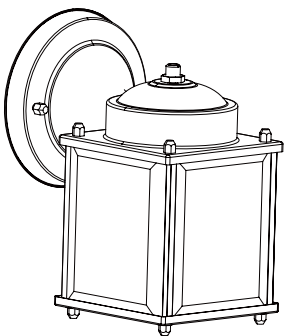
———— WALL LAMP ————

Pre-Installation

PACKAGE CONTENTS



NOTE: Hardware not shown to actual size.



X2



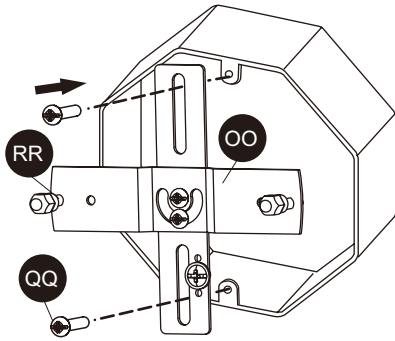
X3

Installing the Light

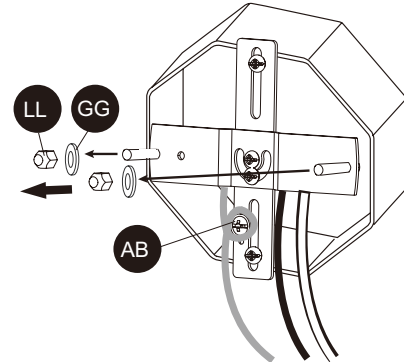


WARNING: To avoid possible electrical shock, turn the electricity off at the main fuse box before wiring. If you feel you do not have enough electrical wiring knowledge or experience, contact a licensed electrician.

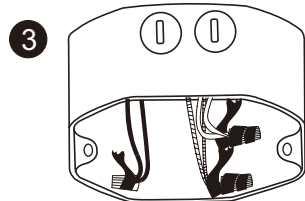
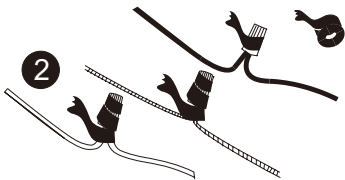
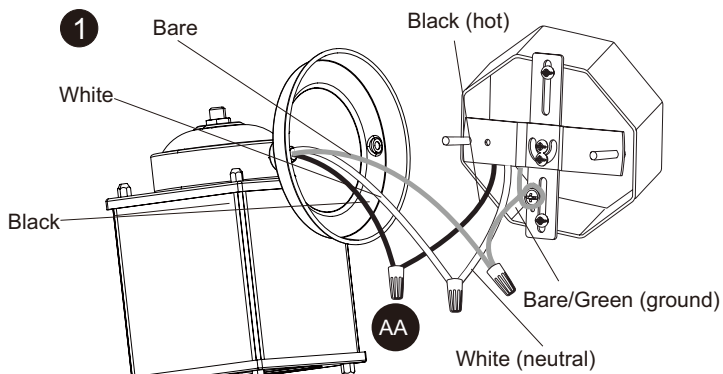
- Install the fixture(OO) onto the junction box using screws(QQ).



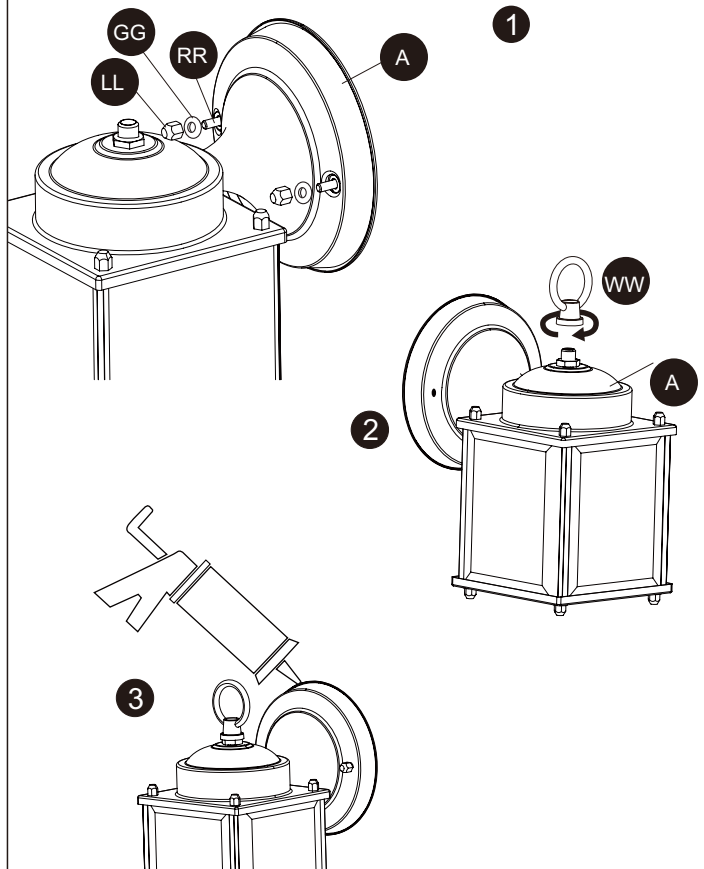
- Take out the wires from the junction box.
- Remove the nut (LL) and washer(GG) from the fixture as shown. keep it.



- Connect the white wire to the household neutral wire using a wiring nut(AA).
- Connect the black wire to the household live wire using a wiring nut(AA).
- Connect the bare wire to the household ground wire using a wiring nut(AA).
- Use electrical tape to secure each wiring nut(AA).



- Install the lamp using nuts(LL) and washers(GG) as shown in the diagram.
- Rotate and install the pull ring(WW) above the lamp.
- Silicone sealant not included.



Tips

- For daily cleaning, you can use a damp cloth to wipe the surface without using corrosive chemicals.
- Electrical products must be discarded in an environmentally friendly area.