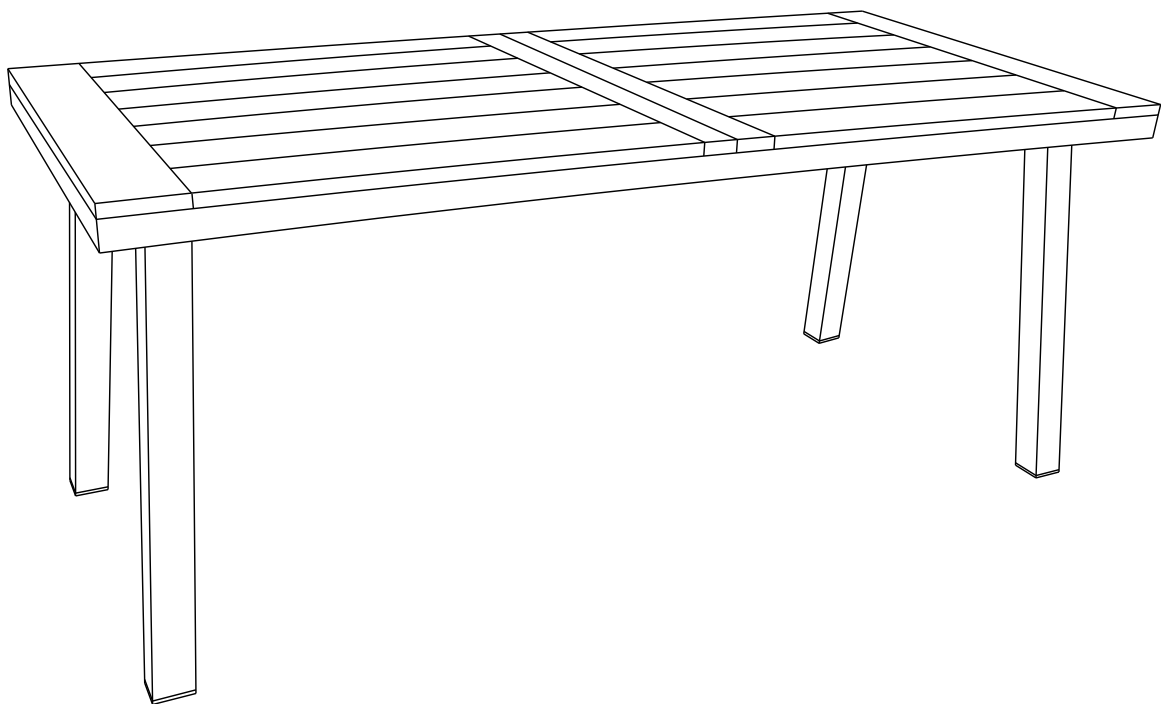


Assembly Instructions

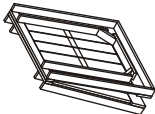


TABLE

CAUTION: You must read this before you proceed.






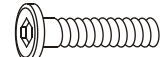

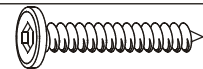
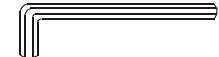
CAUTION : This Table is NOT a TOY. Keep your child / children at bay in the process of assembly.
For turning the Table and to prevent damage to the Table, 02 persons may be needed to execute this action.

Parts List

No.	Picture	Description	Qty
A		Table Top	1
B		Legs	4
C		Support Bars	2

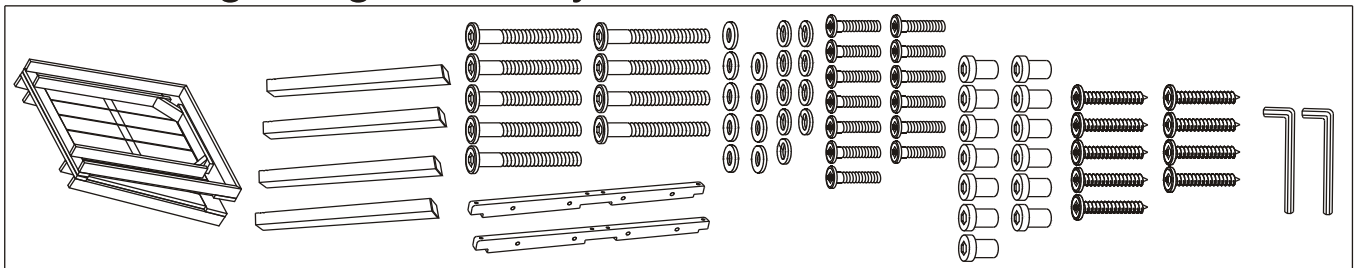
Hardware

Table Hardware

No.	Picture	Description	Qty
①		Long Bolts M8x60mm	9
②		Spring Washers M8	9
③		Flat Washers M8	9
④		Short Bolts M6x40mm	13
⑤		Sleeve Nuts M6x18mm	13
⑥		Screws M6x50mm	9
⑦		Allen Keys	2

Assembly Preparation

Before Beginning Assembly:



Read instructions, cover to cover.



Have 2 adults on hand for assembly.



Do not assemble on flooring or carpet.



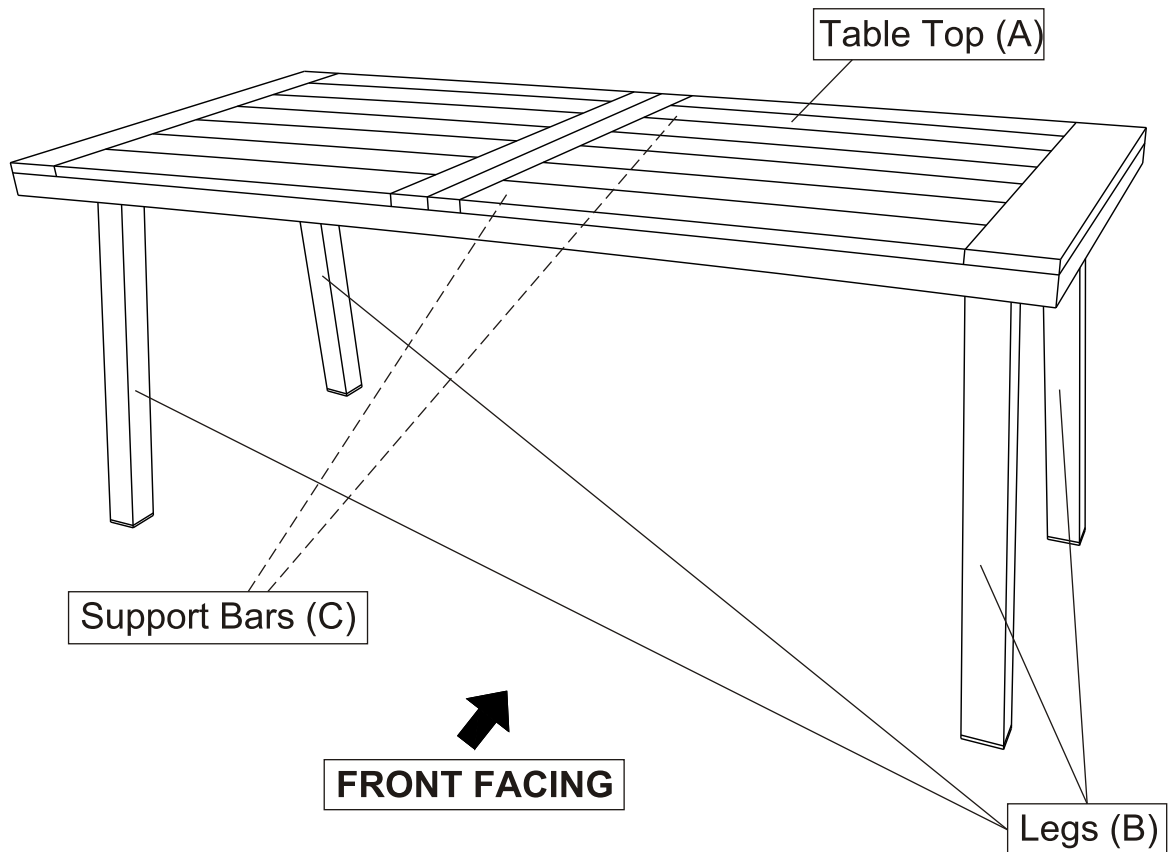
Assemble on a clean non-marring surface (packing foam).



Save all packaging until finished.

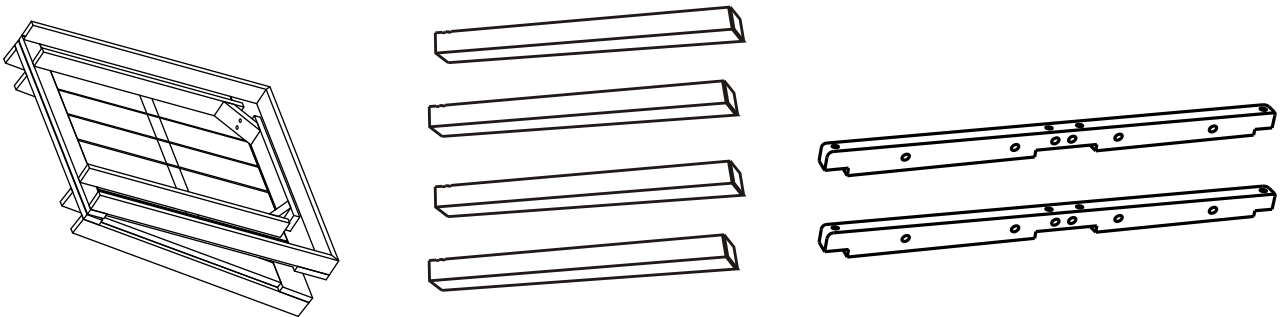
Assembly Steps

OVERVIEW



This Table has multiple parts and may require up to 30 minutes to assemble. To give you an overview of the Table parts, the above picture is to help you put the various parts into perspective. Please read through the instructions herebelow to familiarise the parts and steps before assembly.

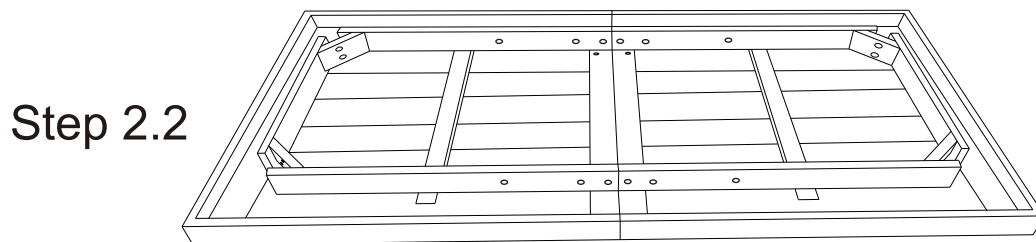
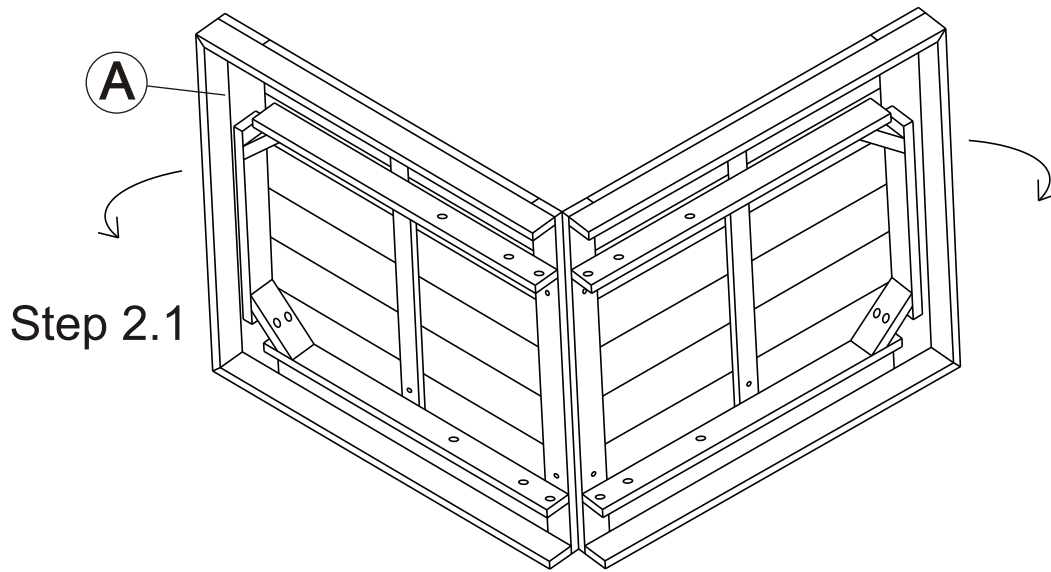
Step 1



Unpack and place all parts on a clean, non-marring surface.

Assembly Steps

Step 2

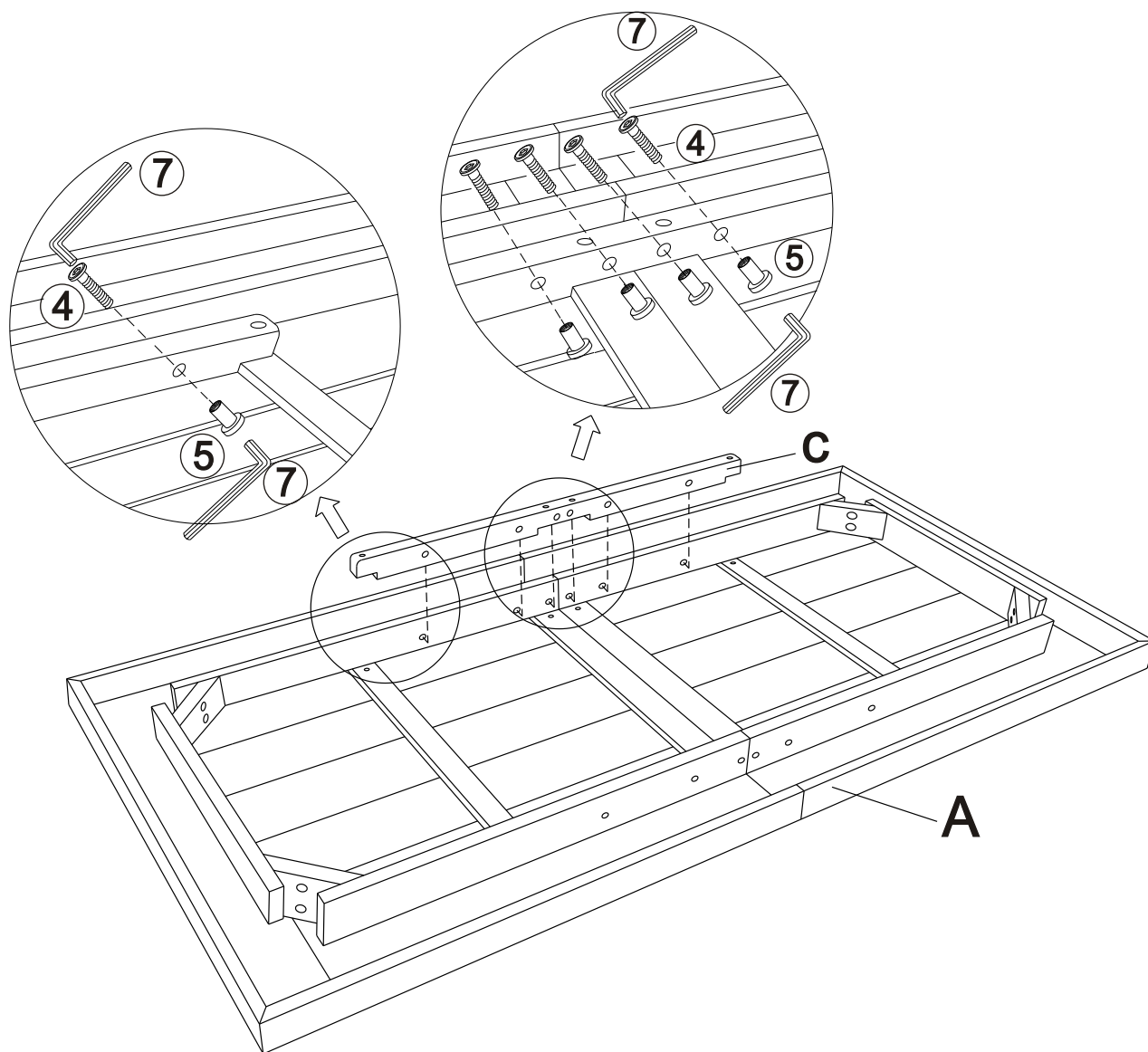


In step 2.1: Place the Table top (A) on one side as picture above. Slightly open the table top as the arrow.

In step 2.2: With the help from your partner, place the Table top (A) with its underside skywards, onto a clean, soft surface to avoid any scratches or damages to the product.

Assembly Steps

Step 3



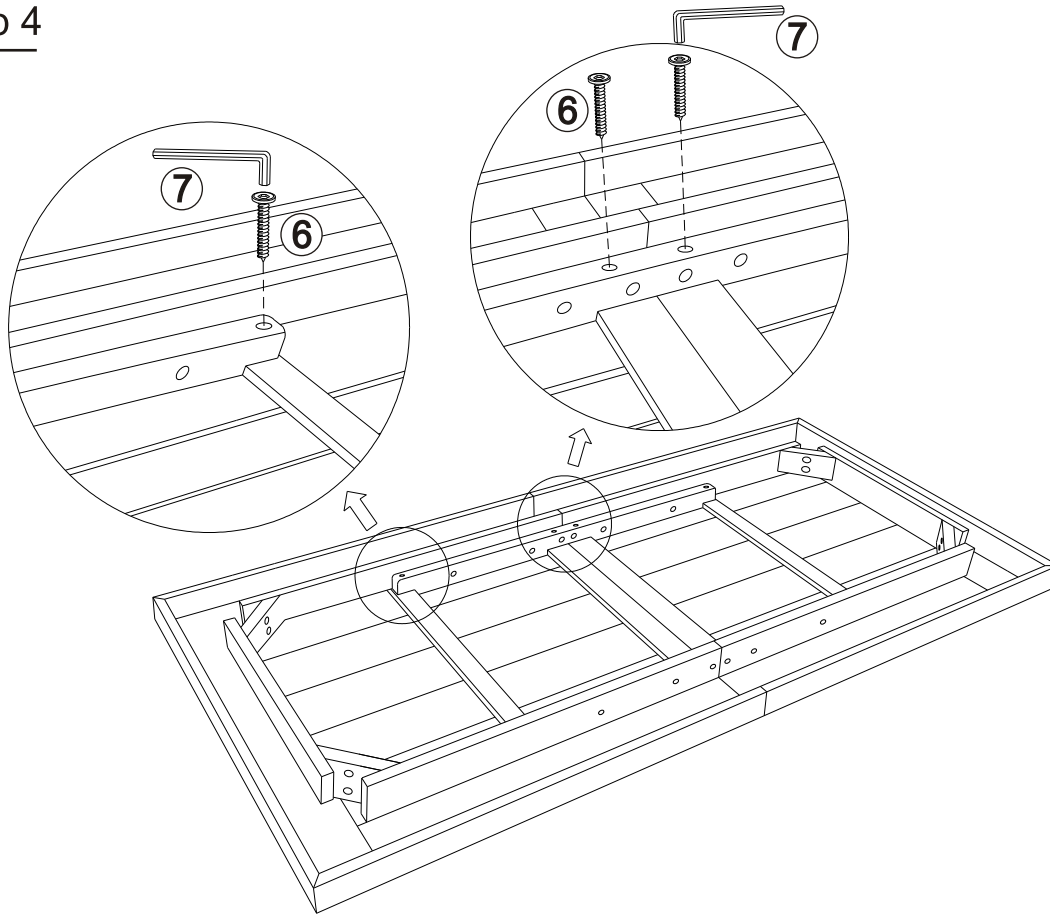
Place Support Bar (C) to the housings of Table Top (A), secure by using the Short Bolts (4) with Sleeve Nuts (5), as shown in the picture.

Repeat the same process with the other Support Bar (C)

Only loosely tighten the Screws.

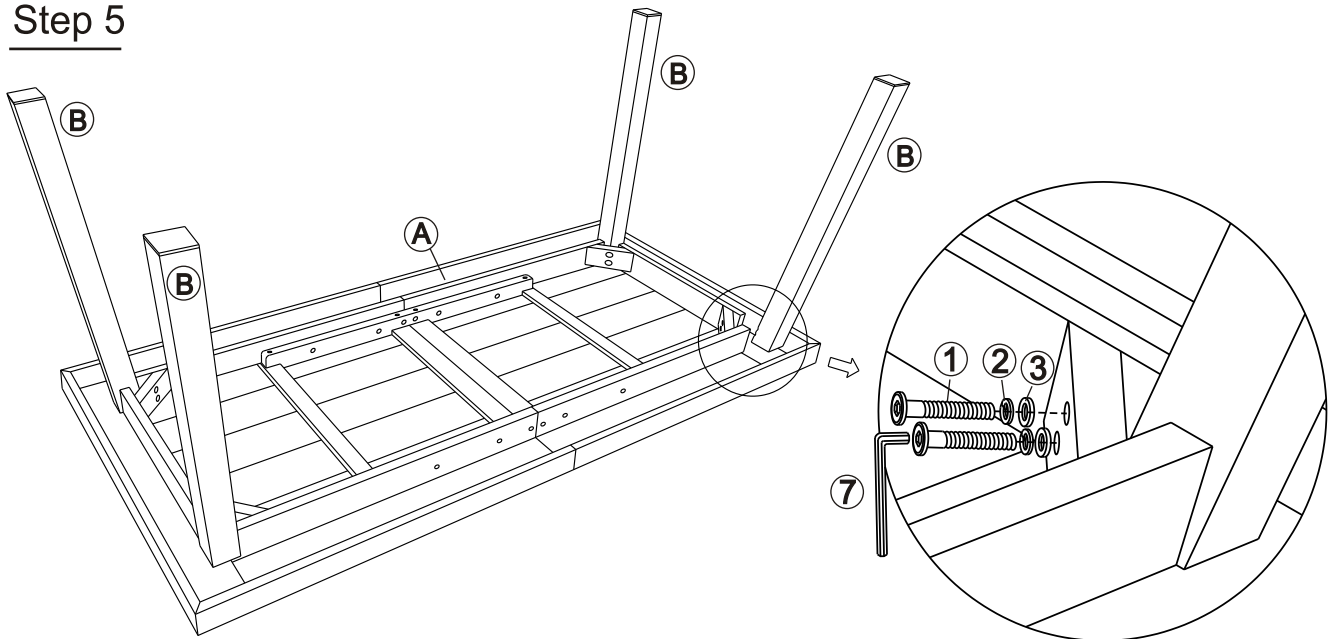
Assembly Steps

Step 4



Loosely affix by using the Screws (6) and Allen Key (7) as shown in the picture.
Repeat the same process with the other Support Bar (C).
Only loosely tighten the Screws.

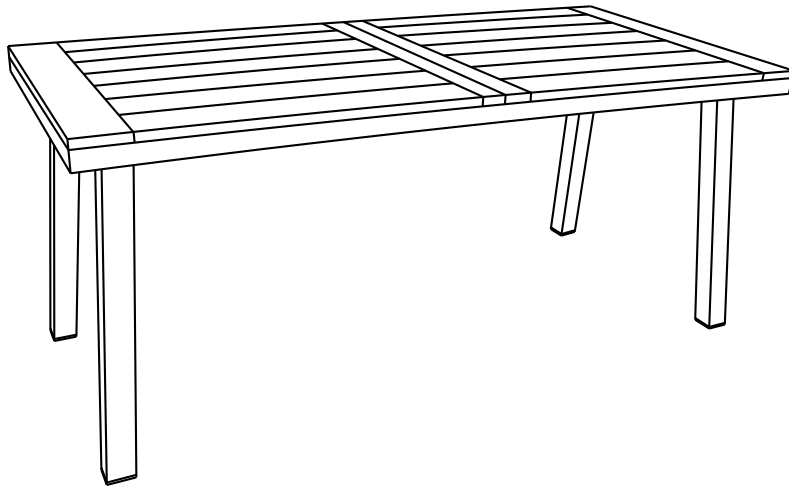
Step 5



Affix loosely the Legs (B) into the mounting position at the corners of the Table Top (A), using the Long Bolts (1) with Spring Washers (2), Flat Washers (3), as shown in the picture.
Repeat the same process with the other Legs (B).
Only loosely tighten the Screws.

Assembly Steps

Step 6



with assistance from your adult partners, Turn the Table right side up.

Inspect it and make sure all parts are adequately connected.

Check to ensure there is **NO WOBBLENESS**.

In a sequential manner, ensure all bolts and screws are fully locked into position and secured.

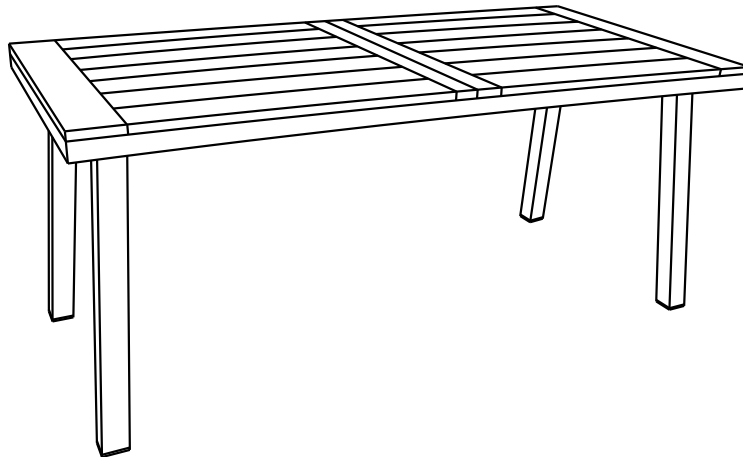
CAUTION: When tightening these screws, tighten sequentially.

DO NOT tighten any screw fully and then towards the next one. This would cause the frame to warp.

If there is still wobbles, loosen the screws and execute this same drop tests.

WARNING !! IF TABLE IS NOT STABLE, IT COULD LEAD TO DAMAGING THE PRODUCT.

Step 7












Ensure all screws are fully locked into position.

The Table is ready to be used.

Caution: This Table can only be used on flat, level surface.

Care & Maintenance

-  Do not put hot items directly on furniture surface.
-  Do not clean furniture with harsh cleansers or polish.
-  To obtain the longest lifespan of your outdoor products, minimizing exposure to direct sunlight is recommended.
-  Children should not climb or jump on the furniture.
-  Do not write on furniture without a padded barrier to protect the surface.
-  To obtain the longest lifespan of your outdoor products, avoid extended and lengthy exposure to rain, snow, and direct sunshine. Whenever possible cover the product and /or place under patio or awnings.
-  Not for commercial use. For residential use only
-  Stains may be removed with mild soap solution and damp cloth.
-  Dust and pick-up spills using a clean, non-colored, lint-free cloth.