











Operation Instructions

Caution: You must read this before you proceed

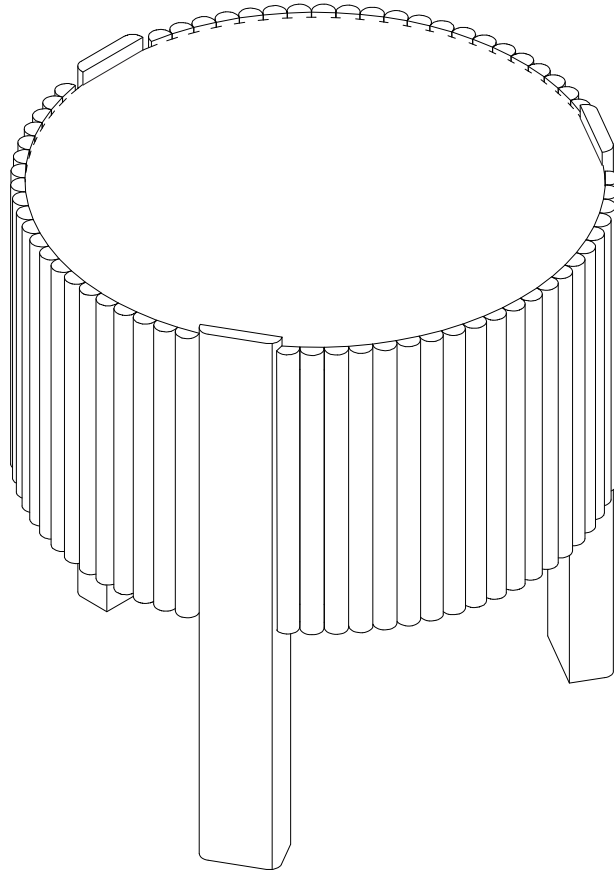
Care & Maintenance

	<ul style="list-style-type: none">● Not for commercial use. For residential use only.
	<ul style="list-style-type: none">● Do not put hot items directly on furniture surface.
	<ul style="list-style-type: none">● Do not clean furniture with harsh cleansers or polish.
	<ul style="list-style-type: none">● Do not place furniture under direct sunlight.
	<ul style="list-style-type: none">● Do not place furniture near heating or cooling vents.
	<ul style="list-style-type: none">● Do not write on furniture without a padded barrier to protect the surface.
	<ul style="list-style-type: none">● Do not place furniture outside . For indoor use only.
	<ul style="list-style-type: none">● Stains may be removed with mild soap solution and damp cloth.
	<ul style="list-style-type: none">● Children should not climb or jump on the furniture.
	<ul style="list-style-type: none">● Dust and pick-up spills using a clean, non-colored, lint-free cloth.

Operation Instructions

Side Table

Item No: N735P369881N



Caution: This Side Table comes fully assembled. The following instructions are for use only.
To prevent damage to the table, lifting or moving the loveseat should be carried out by one adult.

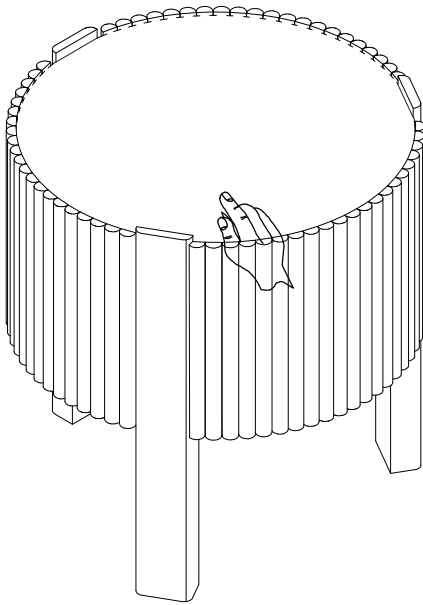
Side Table

ITEM NO. N735P369881N

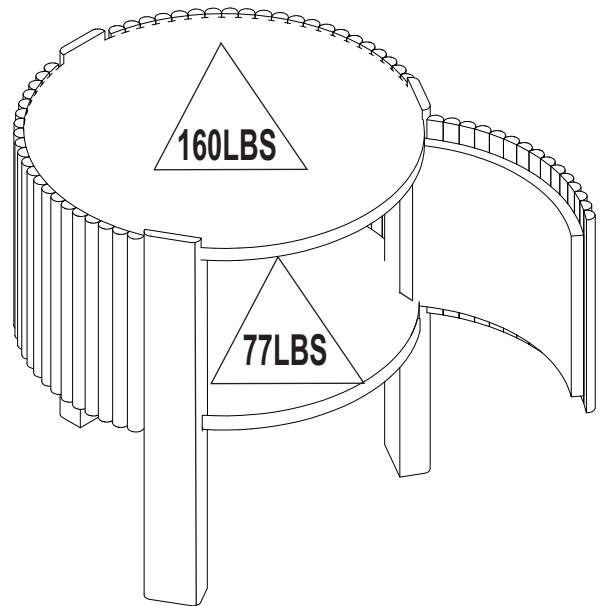
To use the product, gently open the door by hand.

Note: The maximum load capacity of the tabletop is 160 lbs, and the shelf panel supports up to 77 lbs.

After use, simply close the door gently by hand, and the door will slowly close on its own.



Close the Door



Open the Door

Exert pressure floorwards onto the Table top of Table with both your hands. This pressure will help the Legs and Table Top reach full alignment status. Check for wobbles on a LEVEL surface.

Your Table is ready for use,

This Table can only be used on the flat, level surface