





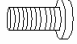

Care and Maintenance

Dust with a soft, dry cloth. Do not use abrasive cleaner. To clean mirror, spray a small amount of glass cleaner onto a lint-free cloth and wipe mirror clean.

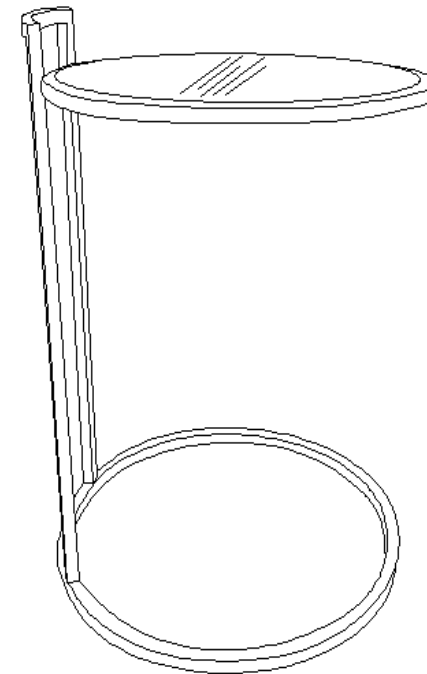
Notice

- * Please make sure that you have all parts indicated before you begin assembly of this item
- * This item should be assembled on a soft surface to prevent scratching the finish during assembly
- * This item may require periodic tightening

Part List and Hardware List

| Piece | Description | Picture | Quantity |
|-------|--------------------|---|----------|
| A | Side leg |  | 1X |
| B | Bottom round shelf |  | 1X |
| C | Top round shelf |  | 1X |
| D | Top glass |  | 1X |
| E | Screws |  | 4X |
| F | Wrench |  | 1X |

Product Dimensions: 17"W x18"D x24"H

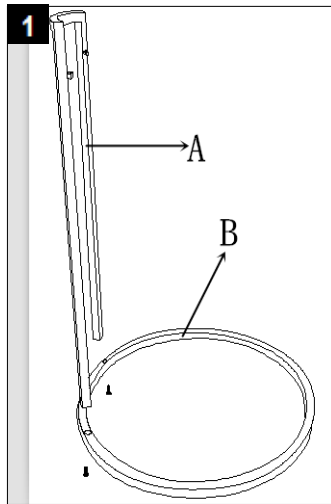


Preparation

Before beginning assembly of product, make sure all parts are present. Compare parts with package contents list and hardware contents list. If any part is missing or damaged, do not attempt to assemble the product.

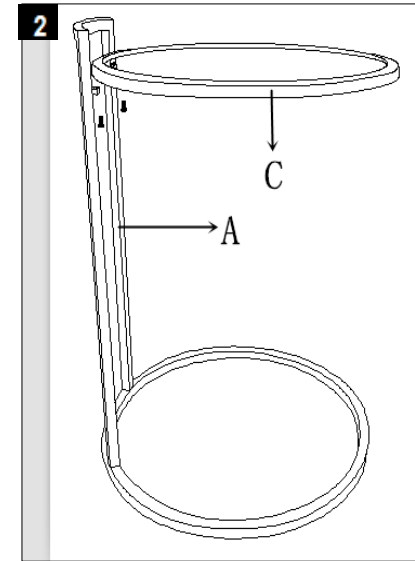
Estimated Assembly Time: 10 minutes.

Tools Required for Assembly (included):Assembly Fininal



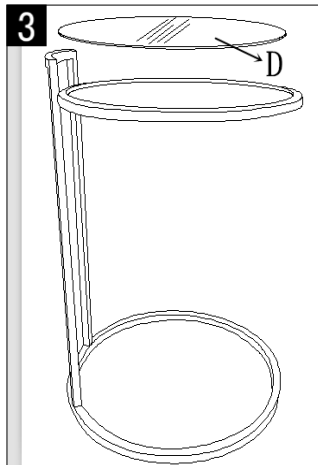
Step 1

Assemble the side leg (A) Bottom round shelf (B) together using 2 screws(E).



Step 2

Assemble the Top round shelf (C) to side legs (A) together using 2 screws (E).



Step 3

Carefully place the Top glass (D) .