

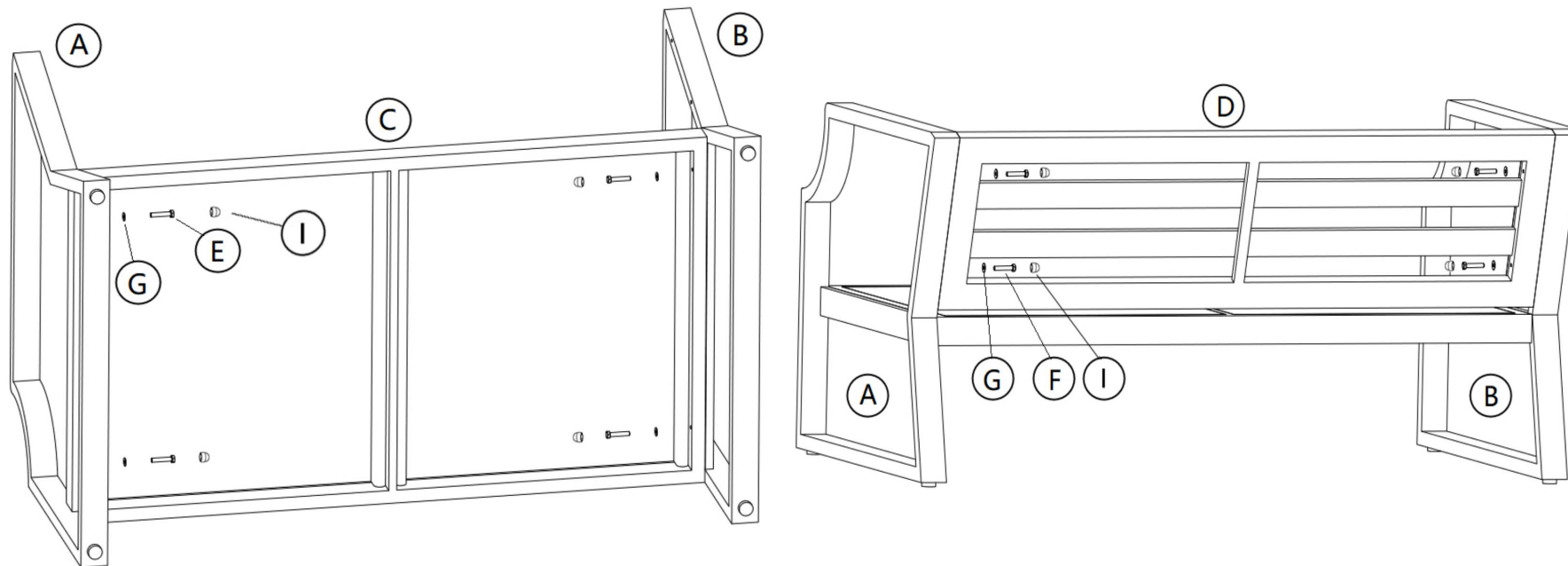
Double chair ASSEMBLY INSTRUCTIONS

Step 1: Remove all protective materials and assemble on a flat surface.

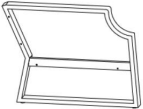
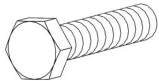
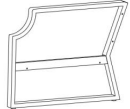
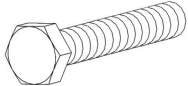
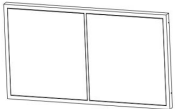


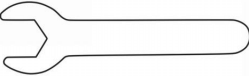

Step 2: Identify all parts packed in the carton against parts list.

Step 3: Use the Bolt E and Washer G to assemble with Left armrest A, Right armrest B and Sitting board C.

Step 4: Use the Bolt F and Washer G to assemble with Left armrest A, Right armrest B and Back panel D.



PARTS LIST

A	Left armrest		1	E	Bolt M6x25mm		4
B	Right armrest		1	F	Bolt M6x50mm		4
C	Sitting board		1	G	Washer		8
D	Back panel		1	H	Hex wrench		1
I	Plastic cap		8				