

# INSTRUCTION MANUAL



Outdoor Poly Adirondack Side Table

## NOTICE

**Do not overtighten Bolts. (Insert all Bolts before tighten Bolts.)**

- Please do not exceed the weight limitations of this item.
- Do not stand on or use any part of this item as a step ladder.
- Firmly secure all bolts before use.
- Reconfirm that all bolts are secure every 90 days.
- Do not use or store this item in the proximity of open flame or flammable/combustible chemicals.
- Be aware that some parts are heavy and have sharp edges.
- Avoid using strong power tool for avoiding to crack the PE board when assembling.



TABLE  
180LBS  
CAPACITY

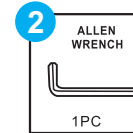
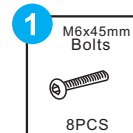


2 PERSON  
ASSEMBLY

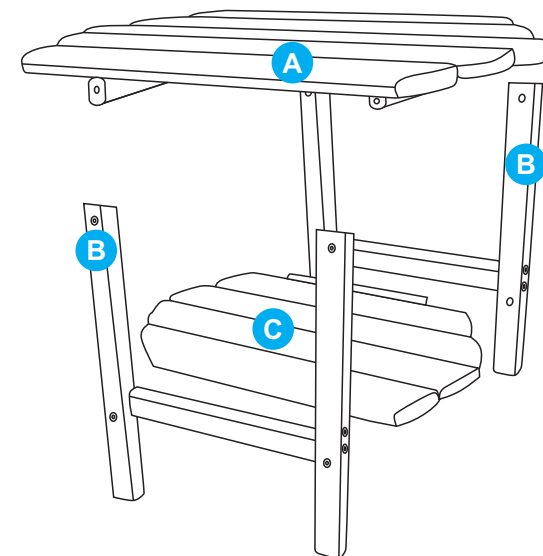
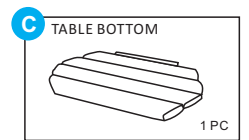
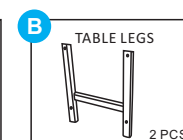
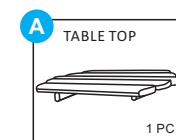


UP TO 20 MIN.  
ASSEMBLY

## HARDWARE

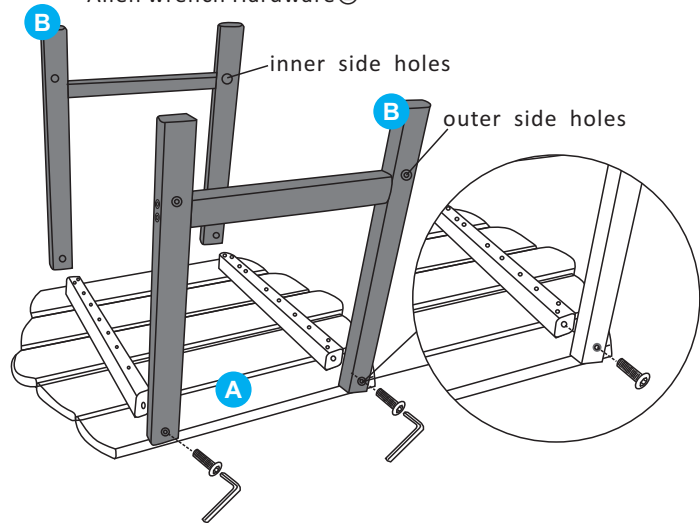


## PARTS

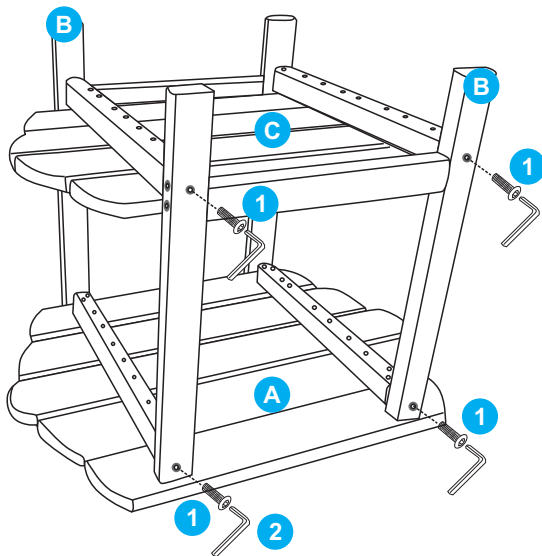


## PRODUCT ASSEMBLY

- 1** Before Assembly, Please distinguish the inside holes and outside holes of part B. Put 2pcs Part B table legs onto Part A Table Top with 4 pcs Bolts Hardware① by using Allen wrench Hardware②

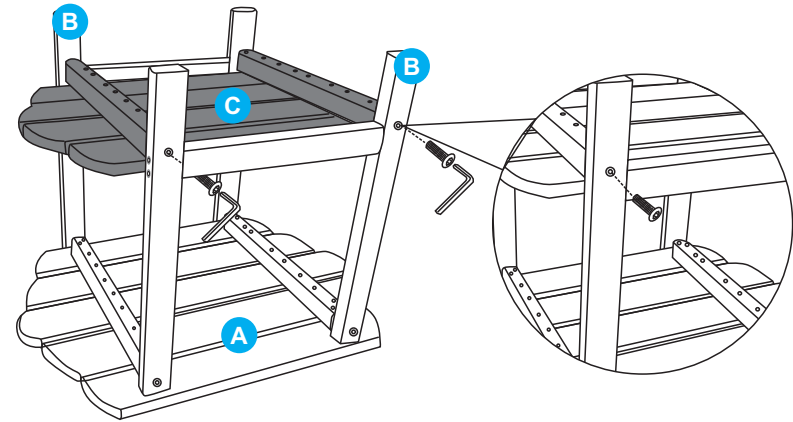


- 3** After All Bolts into the right place. Tighten all the Bolts by Allen Wrench Hardware①



## PRODUCT ASSEMBLY

- 2** Attached Part C Table Bottom to Part B Table legs with 4PCS Bolts Hardware① by using an Allen Wrench Hardware②



- 4** Installation is complete

