






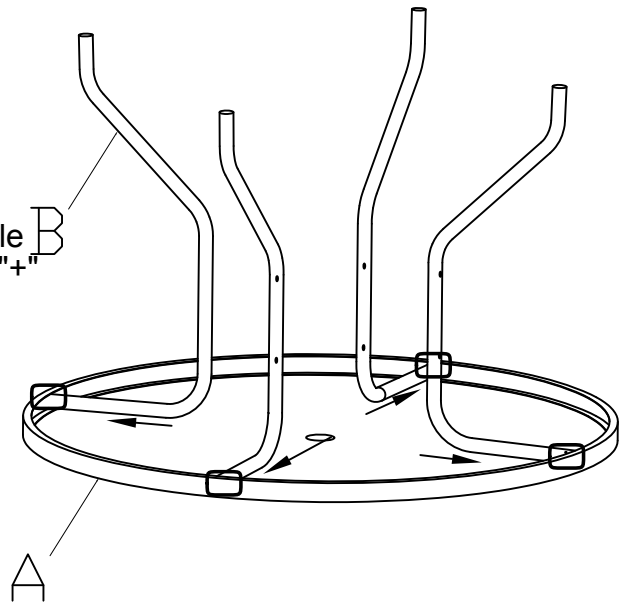


Package include:

A		1
B		4
C		1
D		1
E	 M6*53	8
F		1
G		1

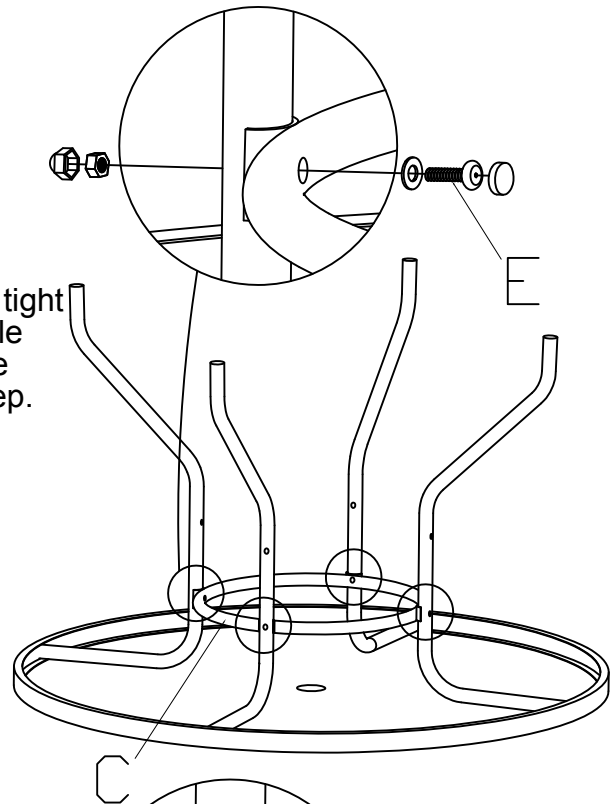
①

Following the picture, make sure the movable plastic cap line up as "+" on the edges of table diameter.



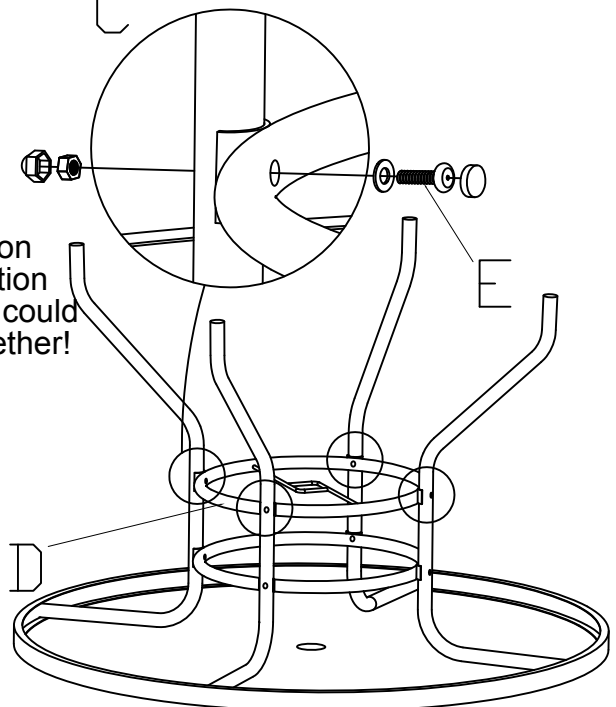
②

Do not screw in too tight yet on this step, table legs may need to be adjusted on next step.



③

Adjust the legs on the perfect position as "+", then you could screw in all together!



Finish look.

