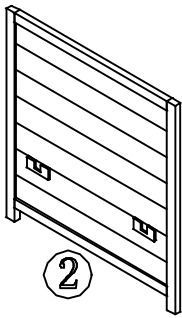
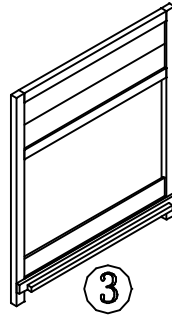


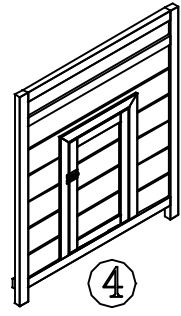
①



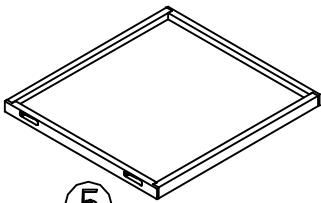
②



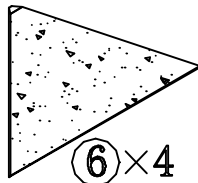
③



④



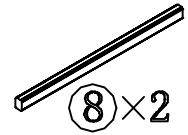
⑤



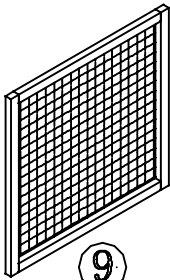
⑥×4



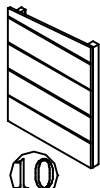
⑦×4



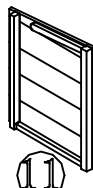
⑧×2



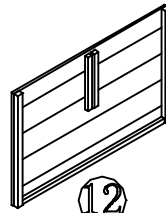
⑨



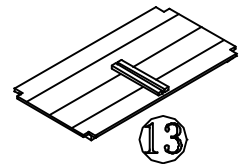
⑩



⑪



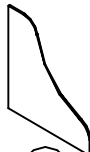
⑫



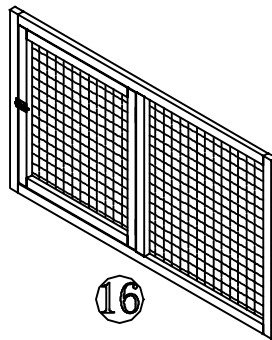
⑬



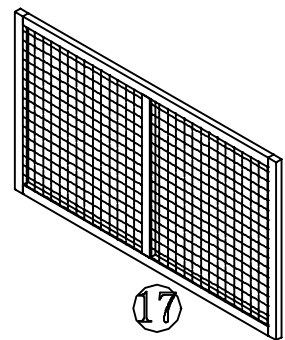
⑭



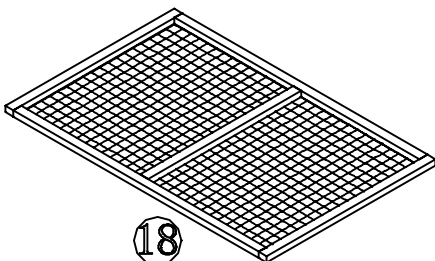
⑮



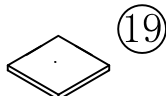
⑯



⑰









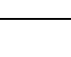
⑱



⑲



⑳

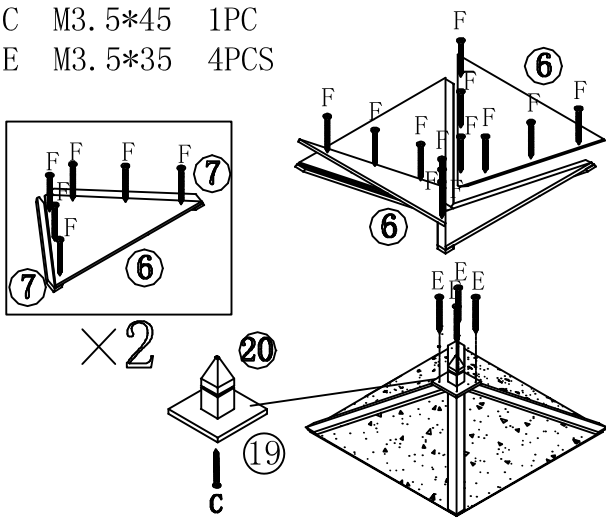
	A	M6*45	4PCS
	B	M3.5*50	6PCS
	C	M3.5*45	1PC
	D	M3.5*40	24PCS
	E	M3.5*35	4PCS
	F	M3.0*25	24PCS
	G	M3.0*16	4PCS

Assembly Instructions

F M3.0*25 24PCS

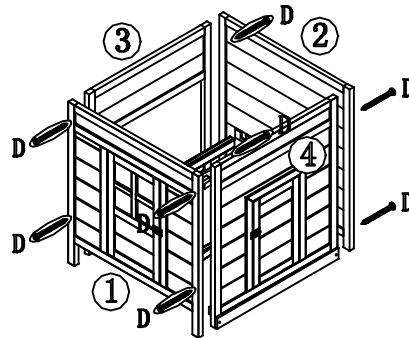
C M3.5*45 1PC

E M3.5*35 4PCS

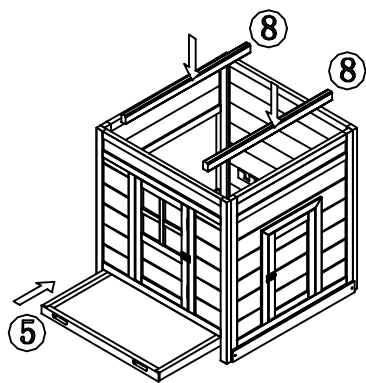


STEP 1

D M3.5*40 8PCS



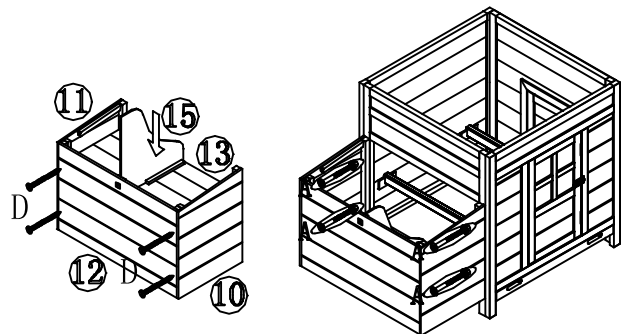
STEP 2



STEP 3

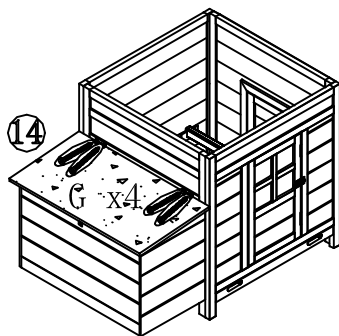
A M6*45 4PCS

D M3.5*40 4PCS



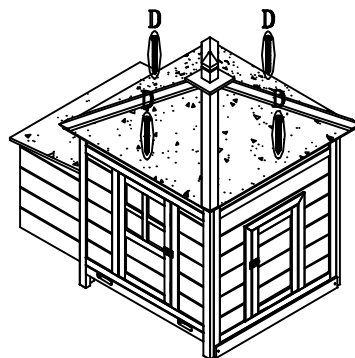
STEP 4

G M3.0*16 4PCS



STEP 5

D M3.5*40 4PCS

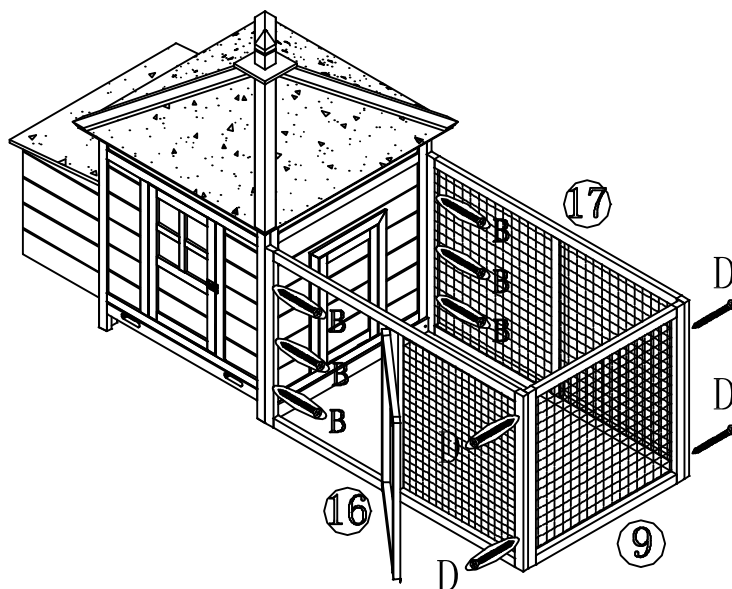


STEP 6

Assembly Instructions

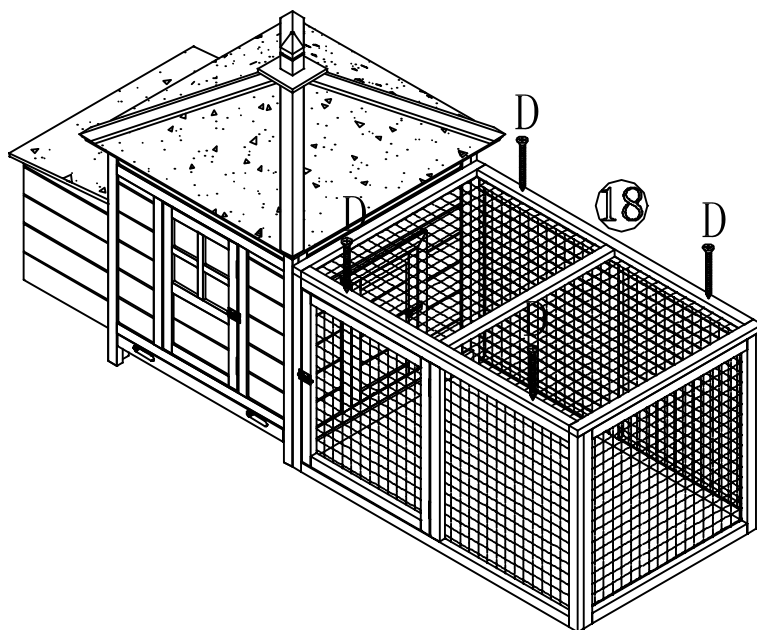
B M3.5*50 6PCS

D M3.5*40 4PCS



STEP 7

D M3.5*40 4PCS



STEP 8