



# 400WATT- 4-IN-1 HAND BLENDER MIXER

Model: HB2239



## User Manual

**-READ ALL INSTRUCTIONS BEFORE USE-**

# IMPORTANT SAFEGUARDS

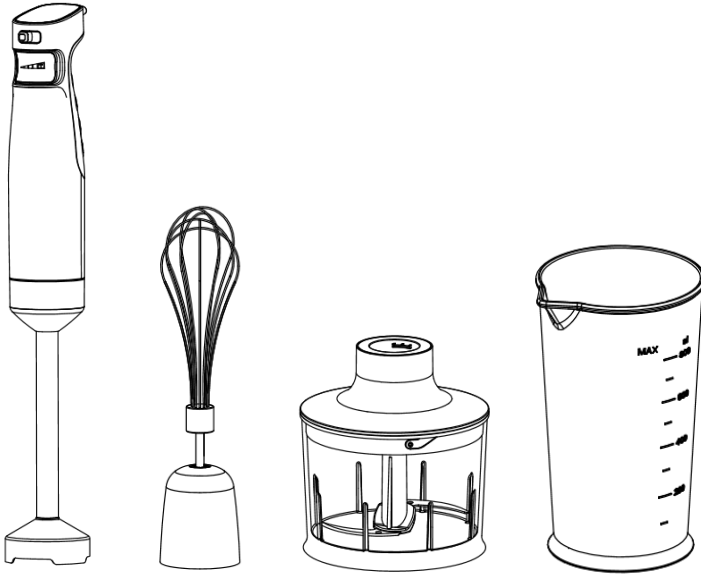
## READ ALL INSTRUCTIONS

When using electrical appliances, basic safety precautions should always be taken:

1. To protect against electrical shock, do not submerge the mixer or allow power cord to come in contact with water or other liquids.
2. Unplug from outlet when not in use, before putting on or taking off parts, and before cleaning.
3. Do not operate any appliance with a damaged cord or plug, or after the appliance malfunctions, or has been dropped or damaged in any matter. Do not attempt to repair yourself.
4. Do not use outdoors.
5. Do not let cord hang over the edge of table or counter or touch hot surfaces, including the stove.
6. Blades are sharp. Handle carefully.
7. Before plugging into a socket, check whether your voltage corresponds to the rating label of the appliance.
8. Do not plug the appliance into the power supply until it is fully assembled.
9. Do not allow children to use the blender without supervision.
10. Do not allow the motor unit, power cord, or plug get wet.
11. Do not place hot ingredients into the appliance.
12. The appliance is constructed to process normal household quantities.
13. Use the appliance for no longer than 1 minute, and do not operate hard food for longer than 10 seconds.
14. Caution shall be taken when handling the sharp cutting blades, emptying the bowl and during cleaning.
15. Keep hands and utensils out of the container while blending / away from the cutting blade while chopping food to prevent the possibility of severe injury to persons or damage to the unit. A scraper may be used but must be used only when the unit is not running.

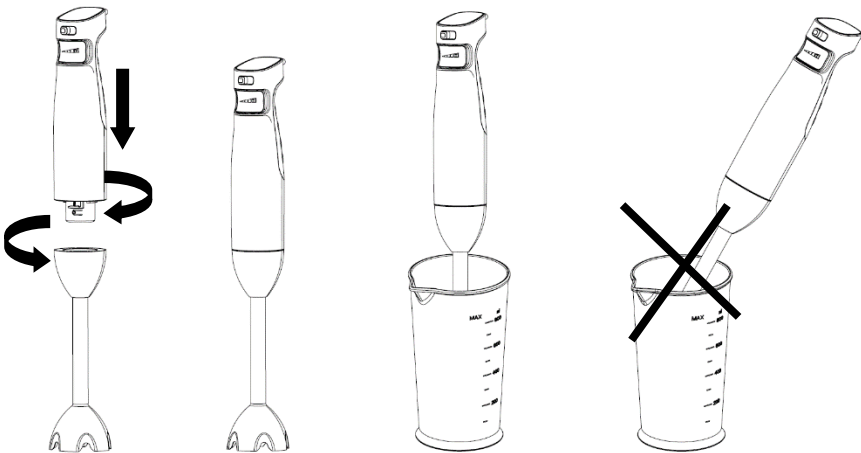
**SAVE THESE INSTRUCTIONS!**  
**FOR HOUSEHOLD USE ONLY**

# PARTS AND ACCESSORIES



- 1 X DC Motor Unit
- 1 X Blender Stick Attachment
- 1 X 500ml Chopper Attachment
- 1 X Whisk Attachment
- 1 X 800ml Large Beaker

# OPERATION



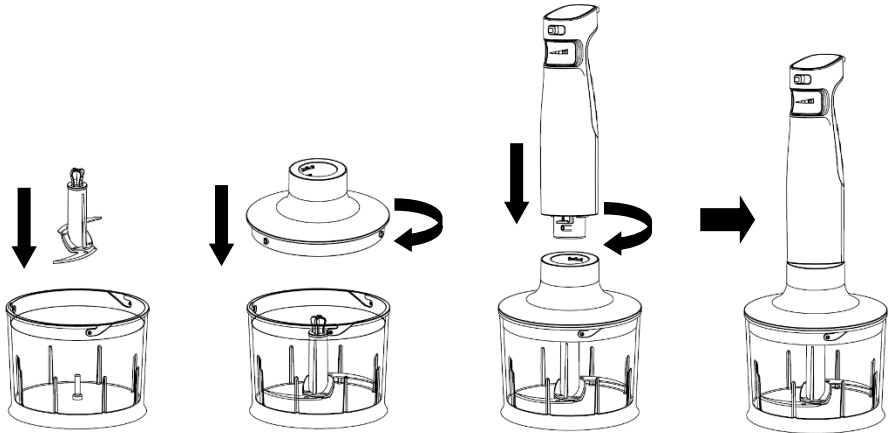
**NOTE: This hand blender is perfectly designed for preparing dips, sauces, soups, baby food as well as for mixing and milkshakes.**

1. Attach the blender stick to the motor unit until it locks.
2. Introduce the hand blender in the vessel. Then, press speed the button to start blending. You can increase the speed by pressing down on the button with more pressure. If you press and release the button, the blender will work with Turbo speed.
3. Turn the blender stick off the motor unit after use.
4. Use the hand blender for no longer than 1 minute.

**CAUTION: Blades are very sharp!**

**NOTE: This hand blender is equipped with a speed control button and a visual LED speed indication on the top of the device. The more pressure you add to the button, the higher the speed gets. The LED speed indication on top shows the low, medium, and high-speed range.**

# HOW TO OPERATE CHOPPER

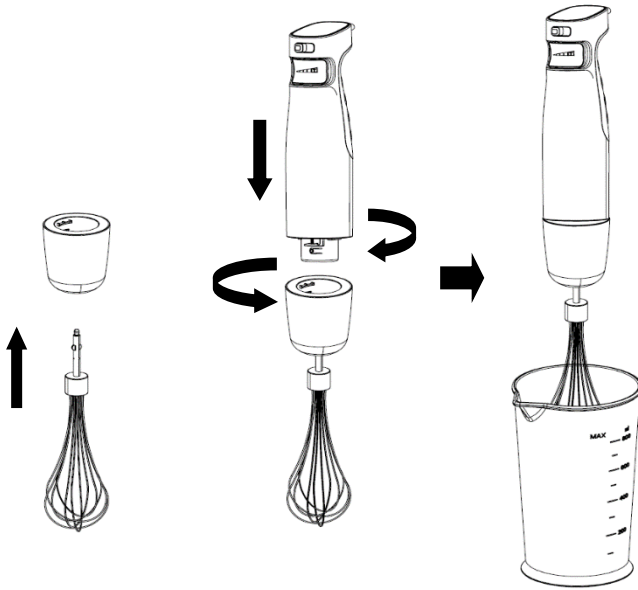


**NOTE:** This Chopper is perfectly designed for hard food, such as chopping meat, cheese, onion, herbs, garlic, carrots, walnuts, almonds, prunes, etc.

1. Place the cutting blade on the center pin of the chopper bowl. Press down the blade and lock the bowl. Always place the chopper bowl on the anti-slip base.
2. Add the food in the chopper bowl.
3. Place the chopping bowl lid on the chopper bowl.
4. Turn the motor unit on the chopping bowl lid until it locks.
5. Press the speed button to start chopping. During processing, hold the motor unit with one hand and the chopper bowl the other.
6. After use, turn the motor unit off.
7. Remove the motor unit and then the chopping bowl lid.
8. Carefully take out the blade.
9. Remove the processed food from the chopper bowl.

**NOTE:** Do not operate hard food for no longer than 10 seconds. Do not chop extremely hard food, such as ice cubes, nutmeg, coffee beans and grains, etc.

# HOW TO OPERATE THE WHISK



**NOTE:** This whisk is perfectly designed for whipping cream, beating egg whites, mixing sponges, and ready-mix desserts.

1. Insert the whisk into the whisk holder, and then turn the gear box on the motor unit until it locks.
2. Insert the whisk in the beaker.
3. Press the speed button to start whisking. Press the button harder to increase the speed.
4. Use the whisk for no longer than 1 minute.
5. After use, turn the gear box off the motor unit.
6. Pull the whisk out of the gear box.

## **CLEANING AND MAINTENANCE**

1. Always clean the hand blender after each use.
2. Wipe the motor body, whisk gearbox, and the chopping bowl lid with a damp cloth. Mild dish soap may be used, but do not use abrasive cleansers. **Do not immerse the motor body in water or liquids.**
3. Wash blender shaft, beaker, the cutting blades, chopping bowl in the top rack of the dishwasher, or rinse it with warm, soapy water. Dry thoroughly with a soft cloth.
4. When processing food with color, the plastic parts of the appliance may become discolored. Wipe these parts with vegetable oil before placing them in the dishwasher.
5. The blades are very sharp, please use caution.
6. Always unplug the appliance before and after cleaning.

# ELECTRICAL SPECIFICATIONS

Voltage	Frequency	Wattage
120 V (DC Motor)	60 Hz	400 W

## ICUCINA LIMITED WARRANTY

**LIMITED ONE-YEAR WARRANTY:** Thank you for choosing iCucina Hand Blender Mixer. This product is warranted to be free from defects in material and workmanship under normal household use during the first one year from the date of original purchase with receipt. We will repair or replace it at our option. The limited warranty shall not apply to damages resulting from accidents, abuse, misuse, damage caused by shipping, or failure to follow safety instruction. The warranty is valid only for first quality goods purchased from an authorized resale and only valid in the United States.

## CUSTOMER SERVICE INFORMATION

If you have any questions regarding to the warranty, the operation of iCucina appliances, or need parts for your appliance, please contact us via email: [service@icucinakitchen.com](mailto:service@icucinakitchen.com). Inquires will be answered promptly. Thank you for purchasing!



**Thimax Inc. Irvine, CA92618**