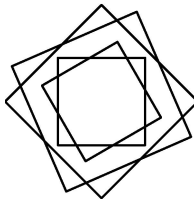
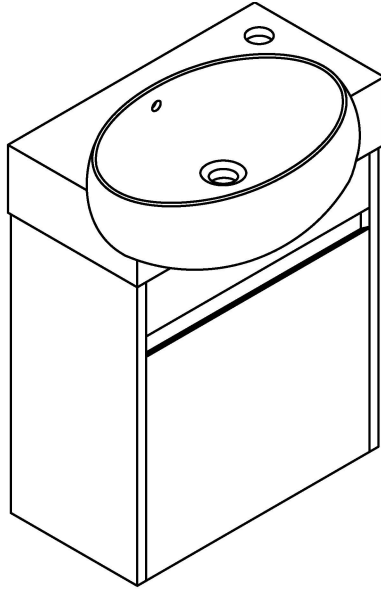




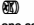


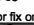
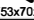
Installation Manual







Thank you for shopping with us!

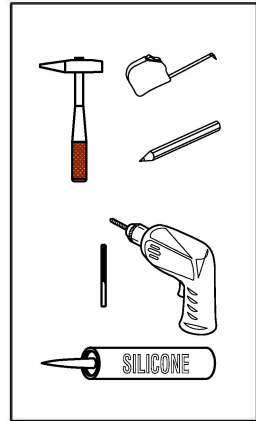
We encourage you to take a few minutes to go through this booklet. It contains important information on installation and care tips to keep your furniture looking as good as new.

Hardware

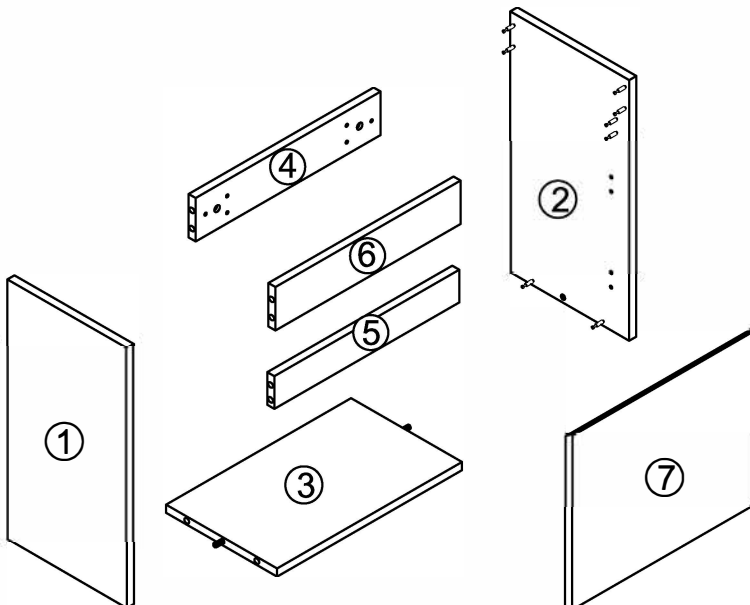
NO.	Draw	QTY
A	 Screws Ø4x14mm	32
B	 Two-in-one connector	16
C	 Two-in-one connector	16
D	 Wood plug	2
E	 Plastic anchor(Ø10mm)	2
F	 Screws for fix on the wall	2
G	 Bracket (53x70x44mm)	2

NO.	Draw	QTY
H	 Bracket (19x19x35mm)	2
I	 Hinges	2
J	 Anti-collision gasket	2
K	 Screwdriver	1

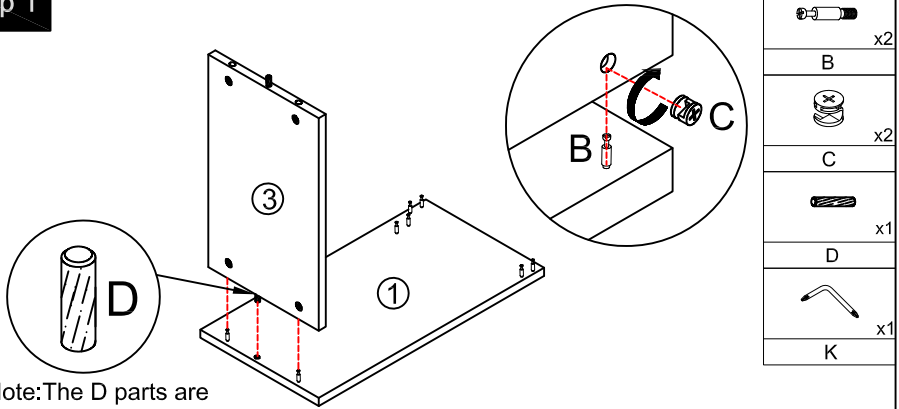
Recommended Tools



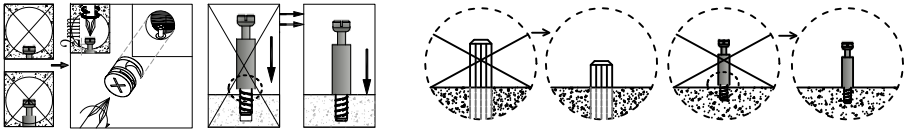
Components



Step 1

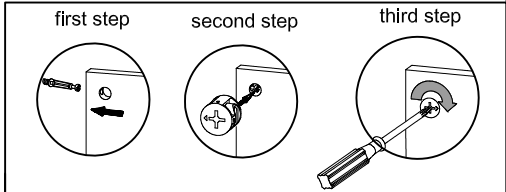
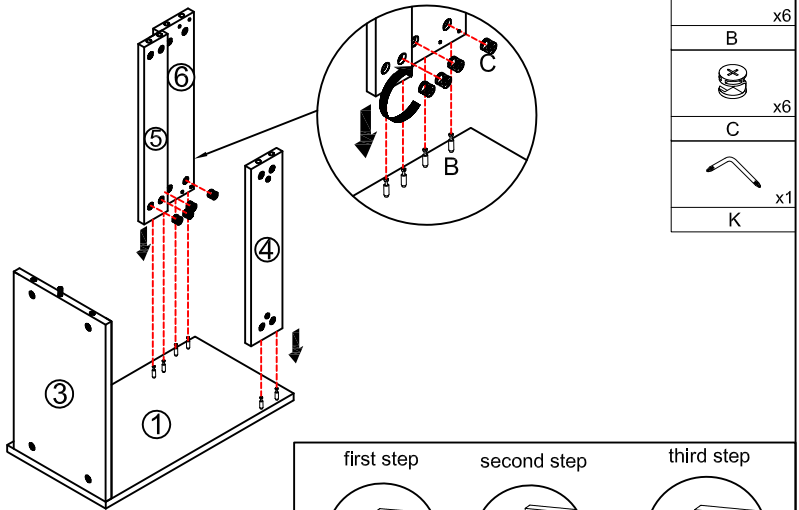


Note: The D parts are used for this hole



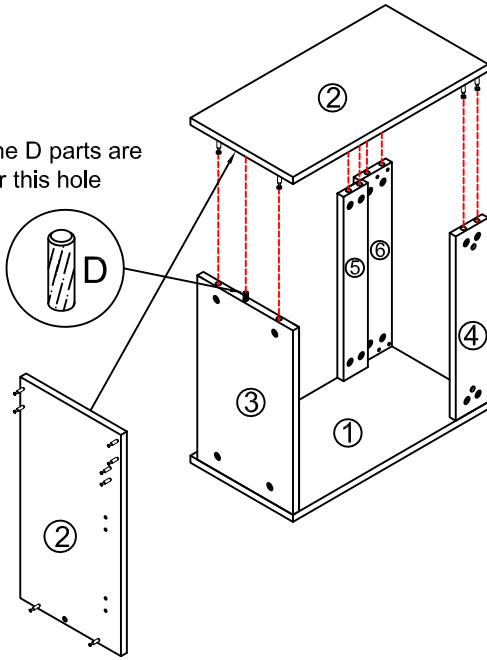
Notes: Screw installation depth as shown

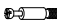



Step 2

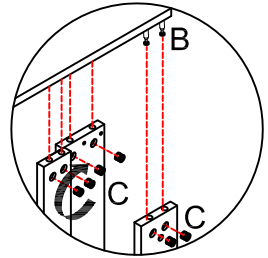


Step 3

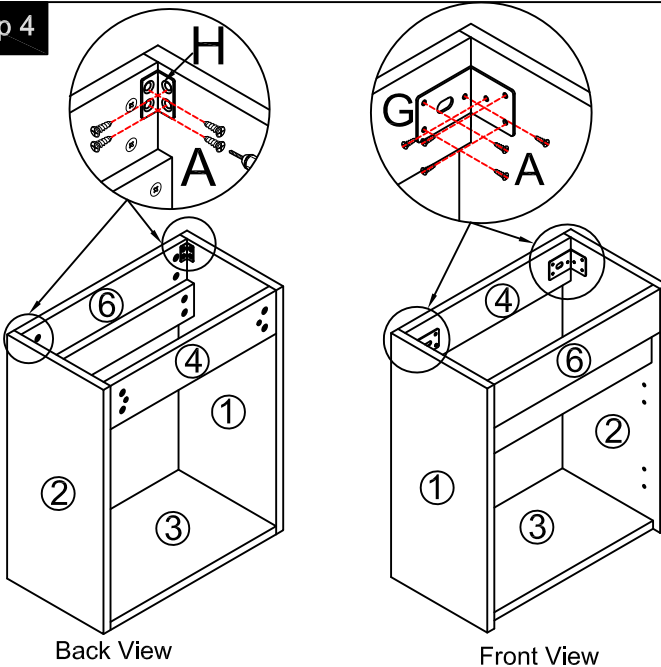
Note: The D parts are used for this hole



	x8
B	
	x8
C	
	x1
D	
	x1
K	







Step 4

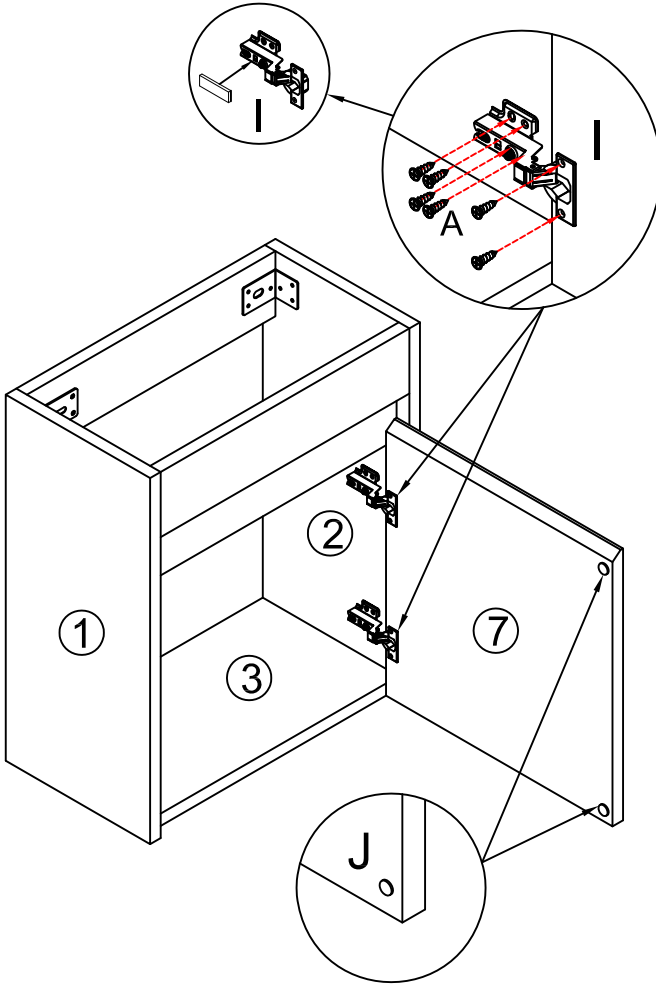






Back View

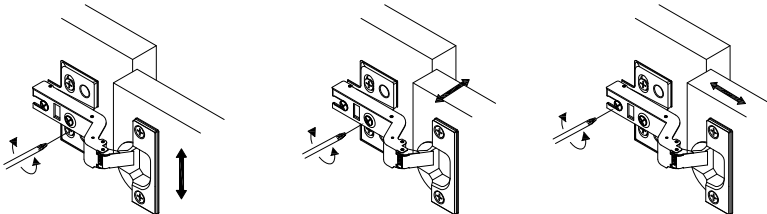
Front View

	x2
A	
	x2
G	
(\varnothing x 14mm)	
	x20
A	
	
Tool	

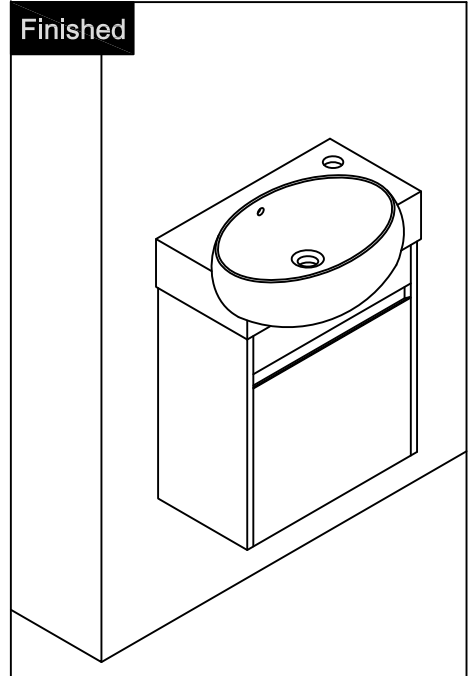
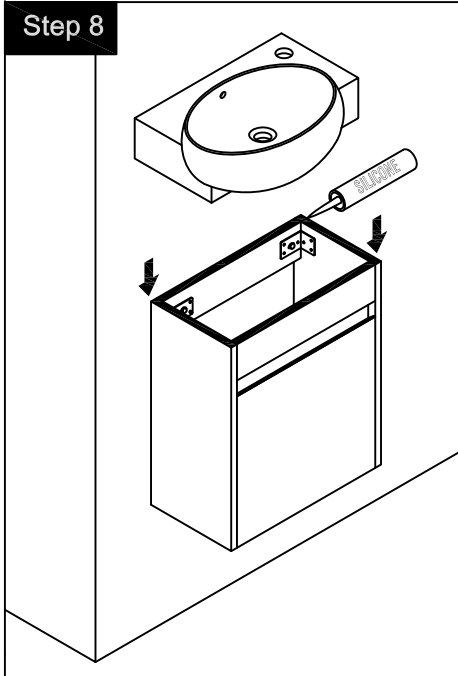
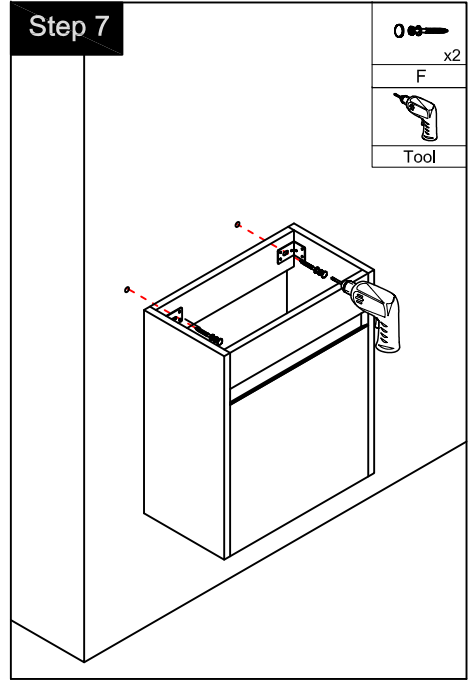
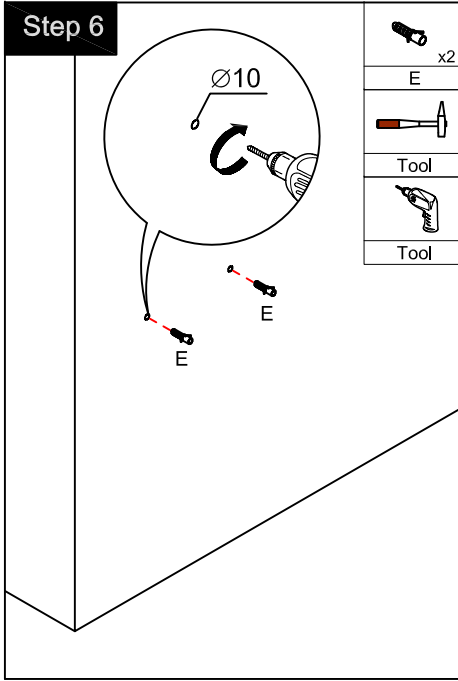
Step 5



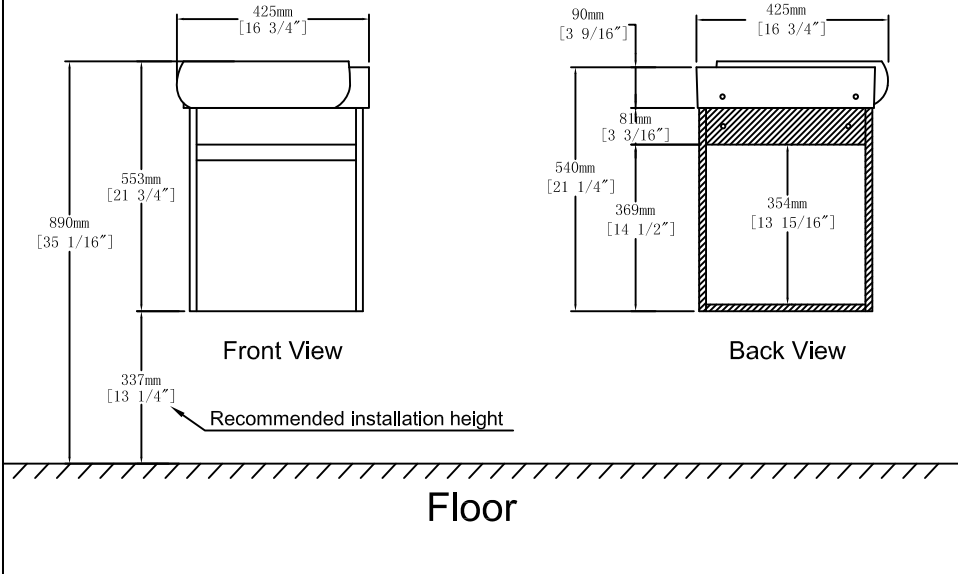
	x2
I ($\varnothing 4 \times 14\text{mm}$)	
	x12
A	
	x2
J	
	
Tool	



You can adjust the doors by tightening or loosening the screws on the hinge.



Dimensions



CARE CLEANING AND MAINTENANCE

1. Dust regularly with a soft , dry cloth.
2. Avoid the use of all chemicals household cleaners, abrasives, or cleaners that contain lemon, vinegar, or other acids that may damage the finish.
3. Excessive exposure to sunlight and extreme changes in temperature and moisture can damage wood furniture.
4. The sink top is resilient, but care needs to be taken to preserve its appearance.
5. Do not place hot appliances, such as curling irons and hot hair dryers directly on the countertop. Wipe spills immediately.