

WARRANTY INFORMATION

- Do not expose the surfaces to direct sunlight or to extreme environmental conditions.
- Clean the surfaces preferable with a clean damp cloth, then dry with a clean towel.
- Do not use solvents or abrasive materials to clean the unit. If you decide to use a cleaning agent, test first on an area hidden from view.
- Replacement parts might be available to you at no charge, with an original proof of purchase and where a defect has arisen, wholly or substantially, as a result of faulty manufacturing, parts or workmanship during the Warranty Period.
- The warranty does not extend to regular wear and tear, nor the manufacturer assumes liability for damages or consequences due to accidents, incorrect assembly, negligence, improper use, modifications, or not heeding the above warnings.

TABLE OF CONTENTS

01 Warranty Information

02 Important Safety Instructions

02 Tools Needed

03 Parts List

04 Assembly

IMPORTANT SAFETY INSTRUCTIONS

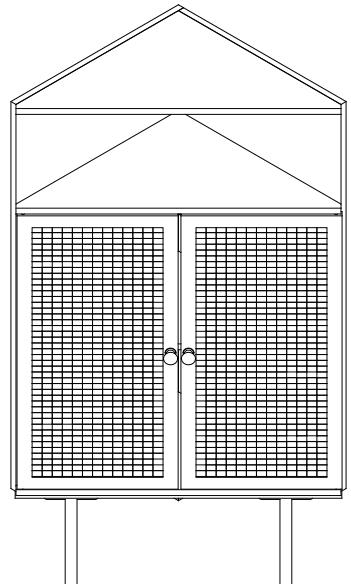
- Check if all the parts are complete before installation.
- Read through the instructions before installing the cabinet.
- Keep the small parts away from children to avoid the risk of swallowing.

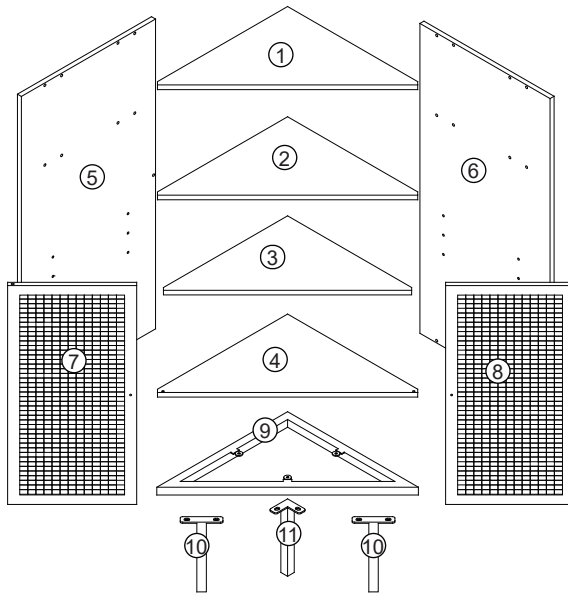
TOOLS NEEDED

Screws Driver -1PC

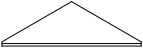
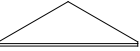
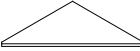
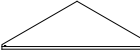



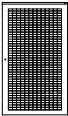


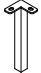




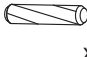















(Not included)



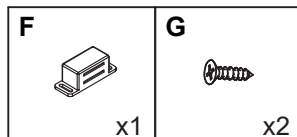
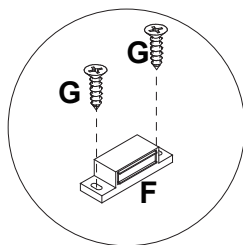
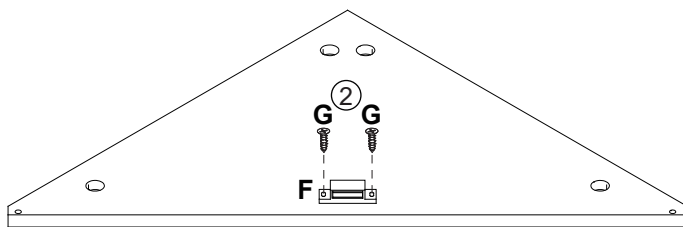


Parts List

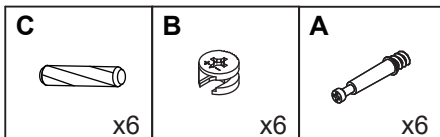
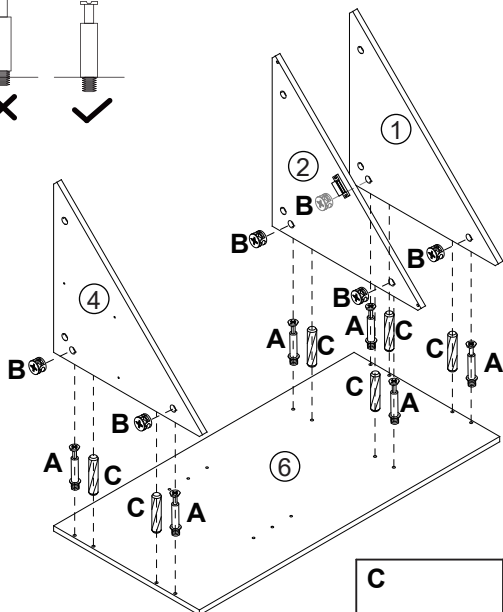
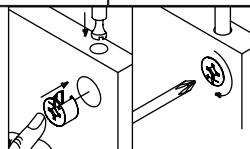
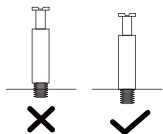
1  x1	2  x1	3  x1	4  x1	5  x1	6  x1
7  x1	8  x1	9  x1	10  x2	11  x1	

A  x13	B  x13	C  x12	D M4x40  x2	E M3x12  x4	F  x1
G M3x14  x2	H  x1	I M4x18  x2	J  x2	K  x2	L  x4
M M4x12  x3	N  x3	O  x4	P  x2	Q  x2	R M6x12  x6

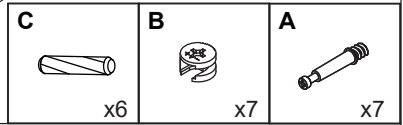
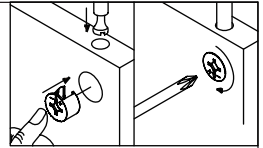
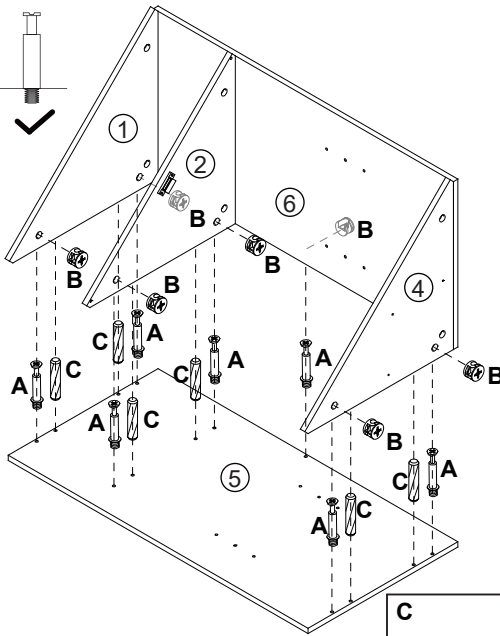
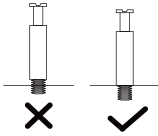
Step 1



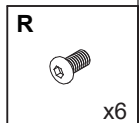
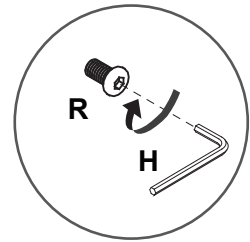
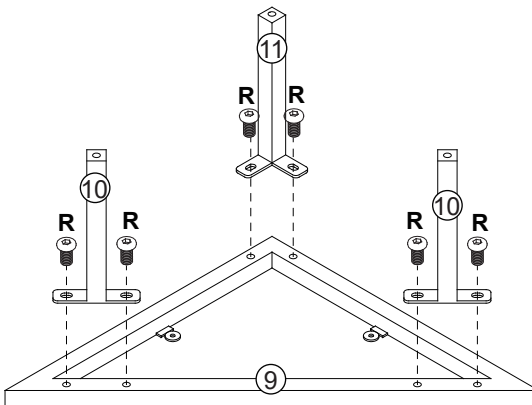
Step 2



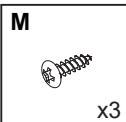
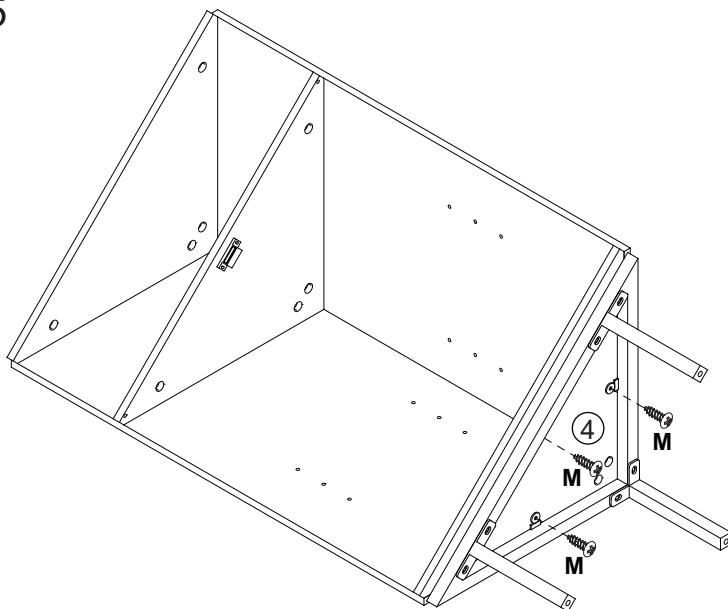
Step 3



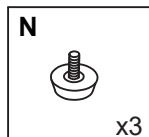
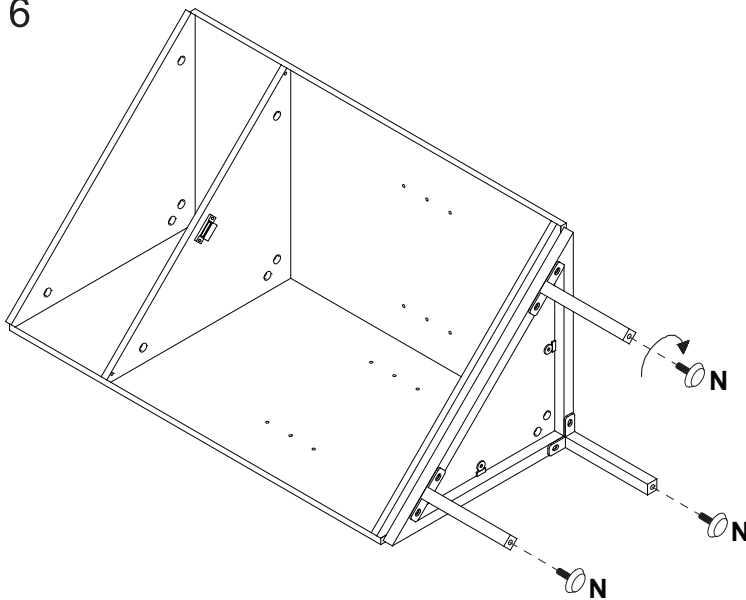
Step 4



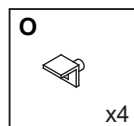
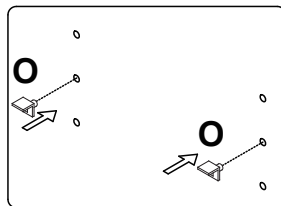
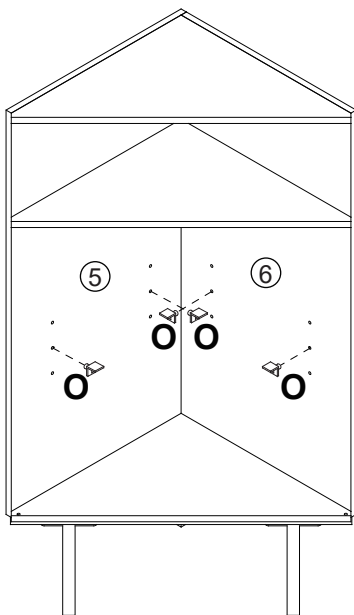
Step 5



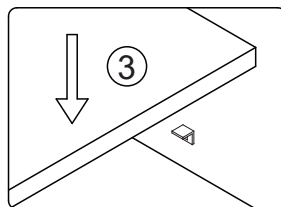
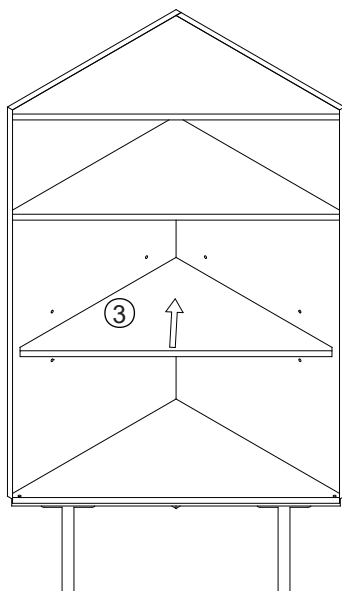
Step 6



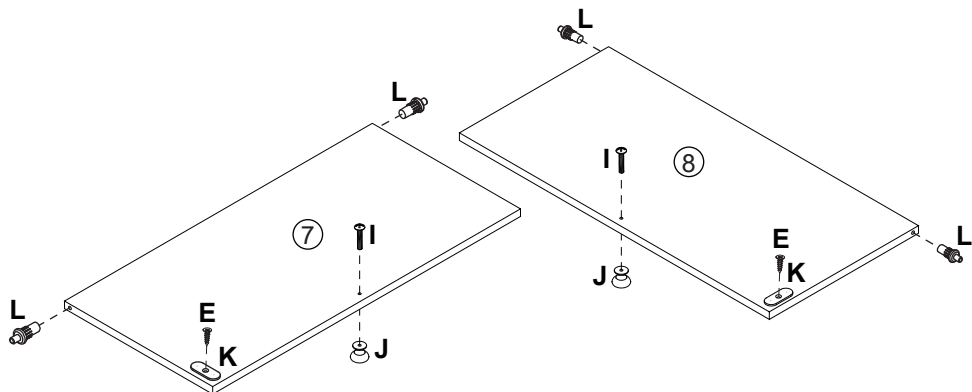
Step 7








Step 8

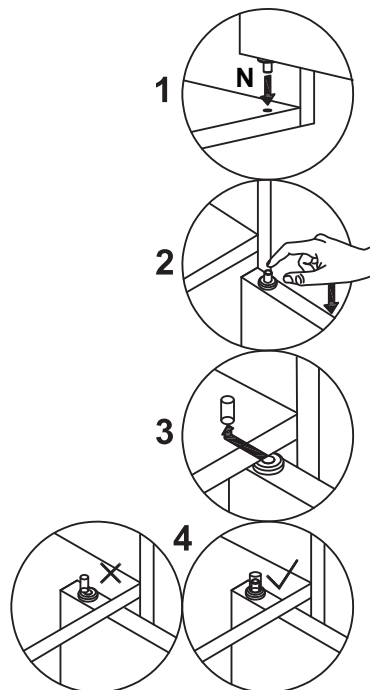
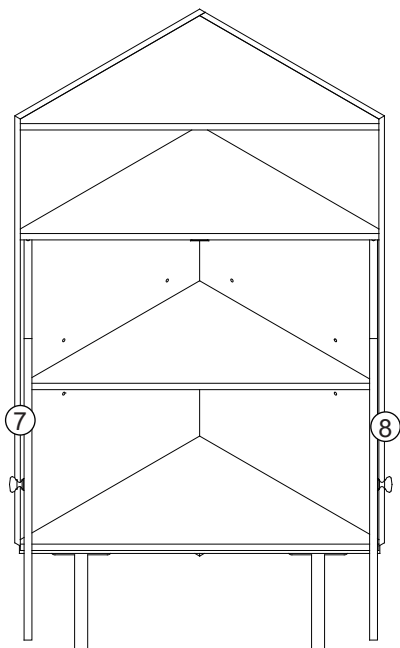


Step 9

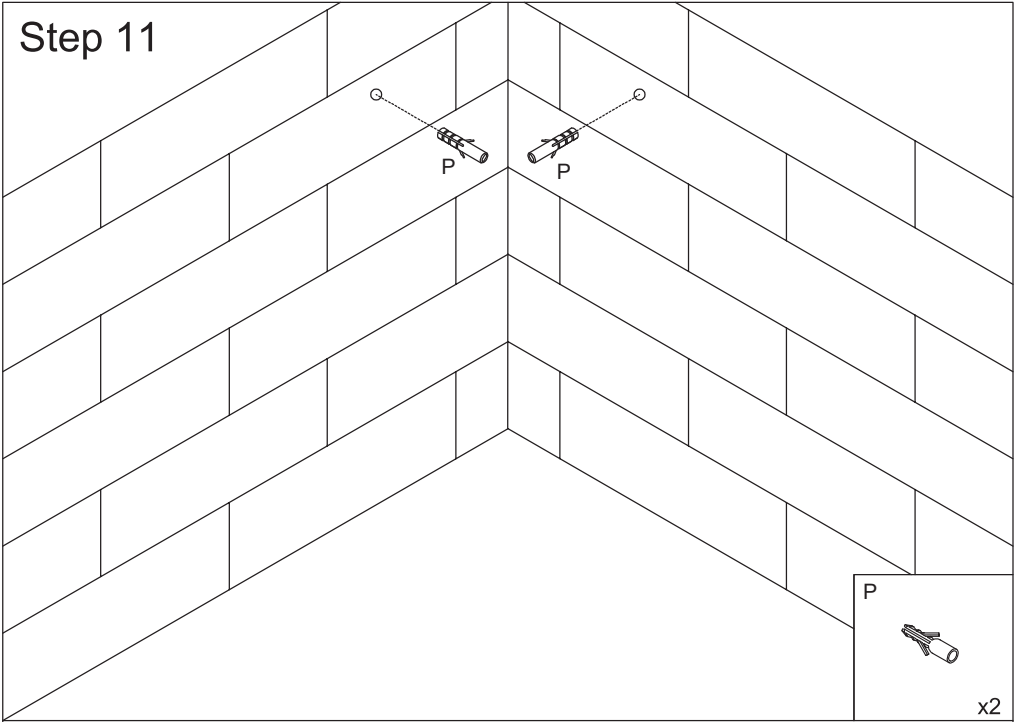


E  x2	I  x2	J  x2	K  x2	L  x4
---	---	---	---	---

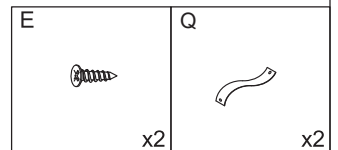
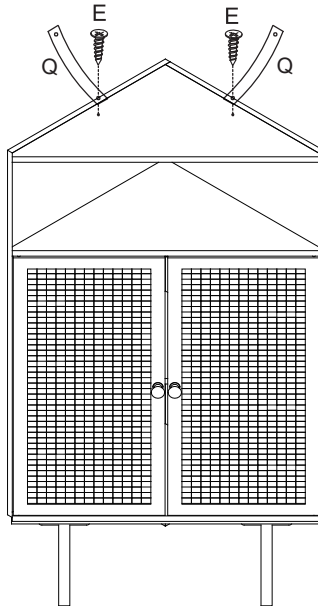
Step 10



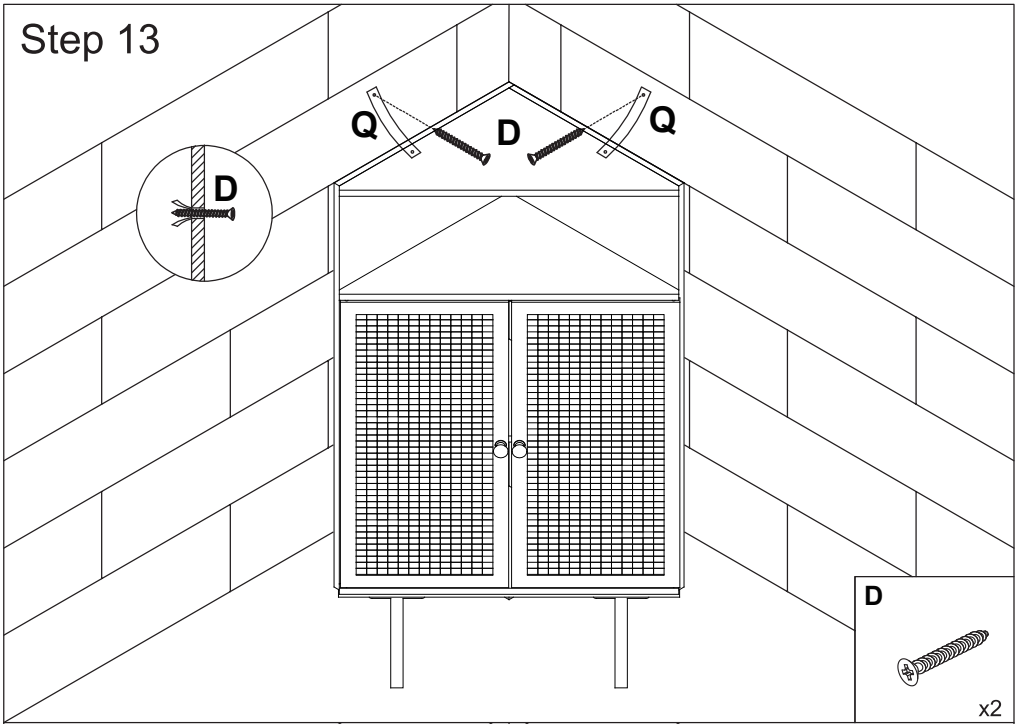
Step 11



Step 12



Step 13



Finish !!!

