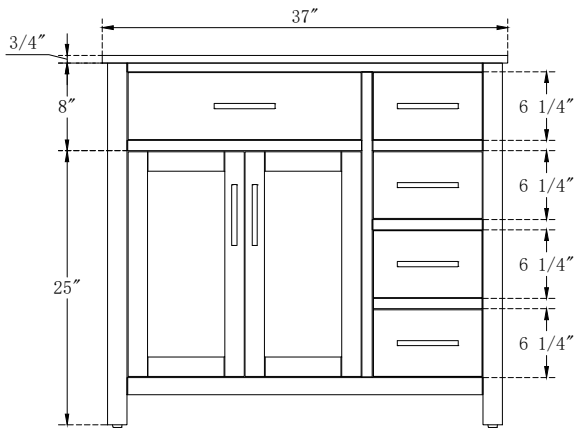
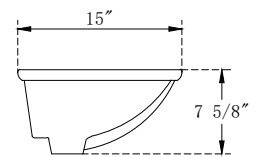
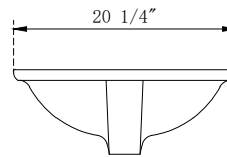
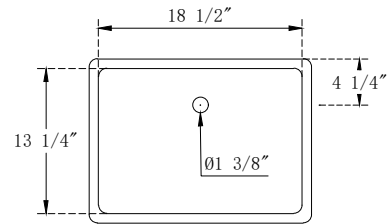
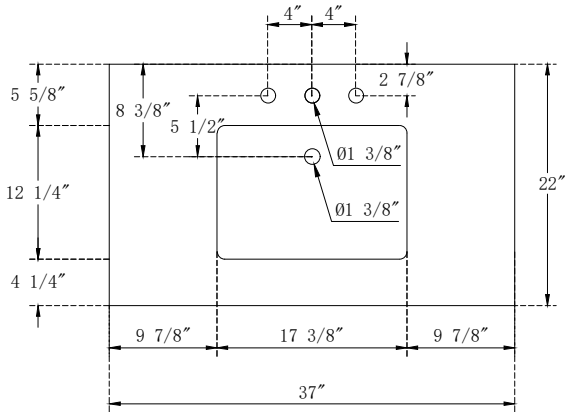


SPECIFICATIONS



Handle :
Overall length : 5 1/2"(141mm)
center to center : 5"(128mm)

