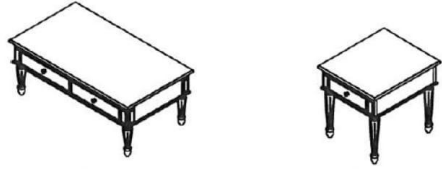


# ASSEMBLY INSTRUCTIONS

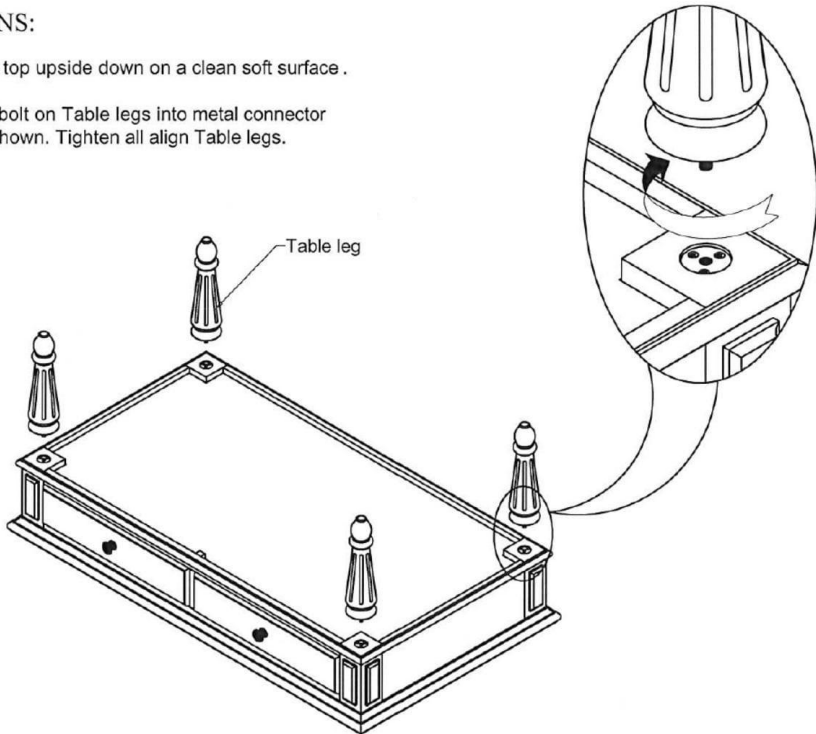


## BEFORE YOU START:

1. Check the parts against the parts list to make sure all items are present.
2. Assemble your furniture on a soft, flat surface to avoid scratching the finish.
3. **CAUTION:** Do not over tighten screws, nuts or bolts during assembly.
4. Your furniture may require occasional tightening.

## INSTRUCTIONS:

1. Turn the Table top upside down on a clean soft surface .
2. Screw hanger bolt on Table legs into metal connector bottom base as shown. Tighten all align Table legs.



Thank you for purchasing furniture