

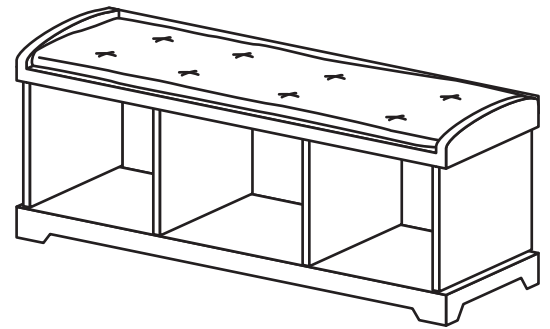
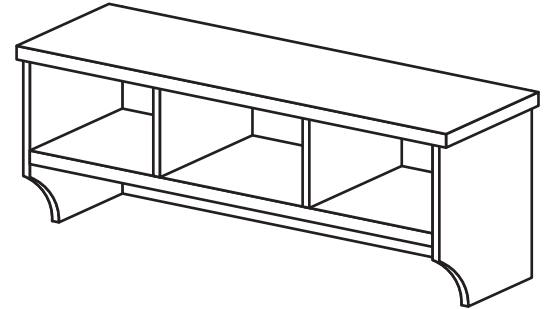
Storage Bench & Wall Unit

Congratulations on the purchase of your Storage Bench & Wall Unit. This storage bench & wall unit has been crafted to the highest standards of quality and safety and will give you many years of enjoyment and practical use.

Since this storage bench and wall unit is a natural wood product, there will be variations in color and grain and minor checking may occur. This is normal and does not compromise the integrity of your storage bench and wall unit. In fact, variation in character of solid hardwood is integral to the beauty and appeal of hardwood furniture and distinguishes it from prefabricated, synthetic and composite materials.

On this insert you will find a list of the hardware and parts included as well as detailed assembly instructions. Assembly is quite simple and requires only a Phillips head screwdriver. Assembly will be most easily accomplished if you take the time to carefully sort the hardware and familiarize yourself with the function of each piece.

If you need assistance with assembly, part replacement or any other matter, please contact the toll-free Customer Service Team. You may also email your request or comments and a customer service representative will respond.



Thank you and Enjoy

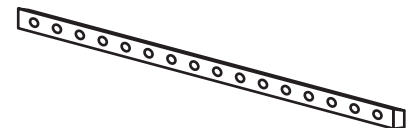
HARDWARE LIST



- 3 **80mm wood screws**
Used to install the wooden
bracket into the studs



- 1 **25mm wood screw**
Used to secure the shelf
to the bracket



- 1 **Wooden bracket**

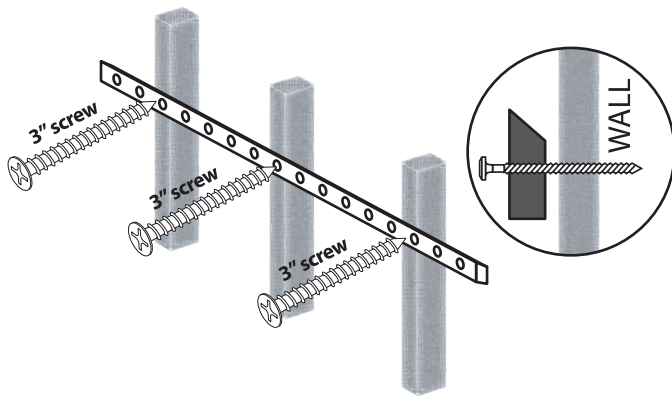
Instructions

Decide where you want to hang the shelving unit on the wall keeping in mind that the bench should be centered below it. The height at which you mount it is completely up to you. A good approximate height for most applications is between 70" and 80" from the floor to the top of the wall shelf.

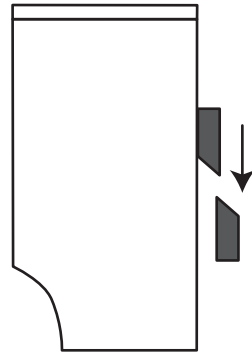
In most houses the wall framing is 16" on center. This should allow you to mount the wooden bracket into three studs using the three 3" wood screws provided. Find the studs using a stud finder or by tapping on the wall the old-fashioned way. Because the wall is heavy, three screws are required to fasten the bracket to the wall.

NOTE: If you are mounting the shelving unit on a narrow wall and you want it to be centered but the studs do not line up for you, you have a safe 5-6" you can slide the shelving unit on the wooden bracket either way to make it centered. The wooden bracket is shorter than the shelving unit for this purpose. In most cases this will work.

- 1) The holes on the wooden bracket are spaced 2" apart center to center. Mark the stud locations through the holes in the bracket while making sure it is level. Using a drill with a 7/64" drill bit, drill through the drywall and as far into the studs as you can. Put the bracket back onto the wall in the proper position and drive the three 3" wood screws through the bracket and into the studs.



- 2) Lift the shelving onto the secured bracket and gently slide it to the position you decide is best. (Be cautious not to scratch the wall while shifting the unit.)



- 3) Use the 25mm screw provided to secure the shelf to the bracket. The hole is located in the upper center part of the shelf.

- 4) Place the storage bench under the wall unit.

